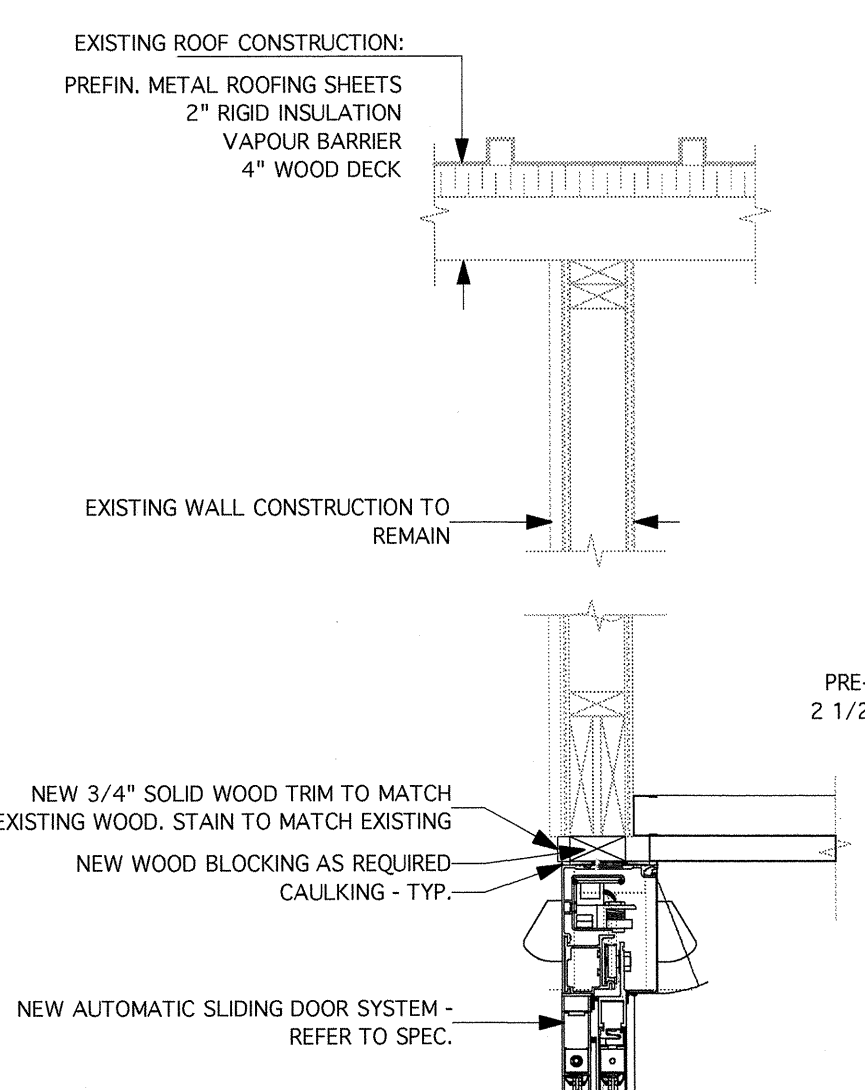
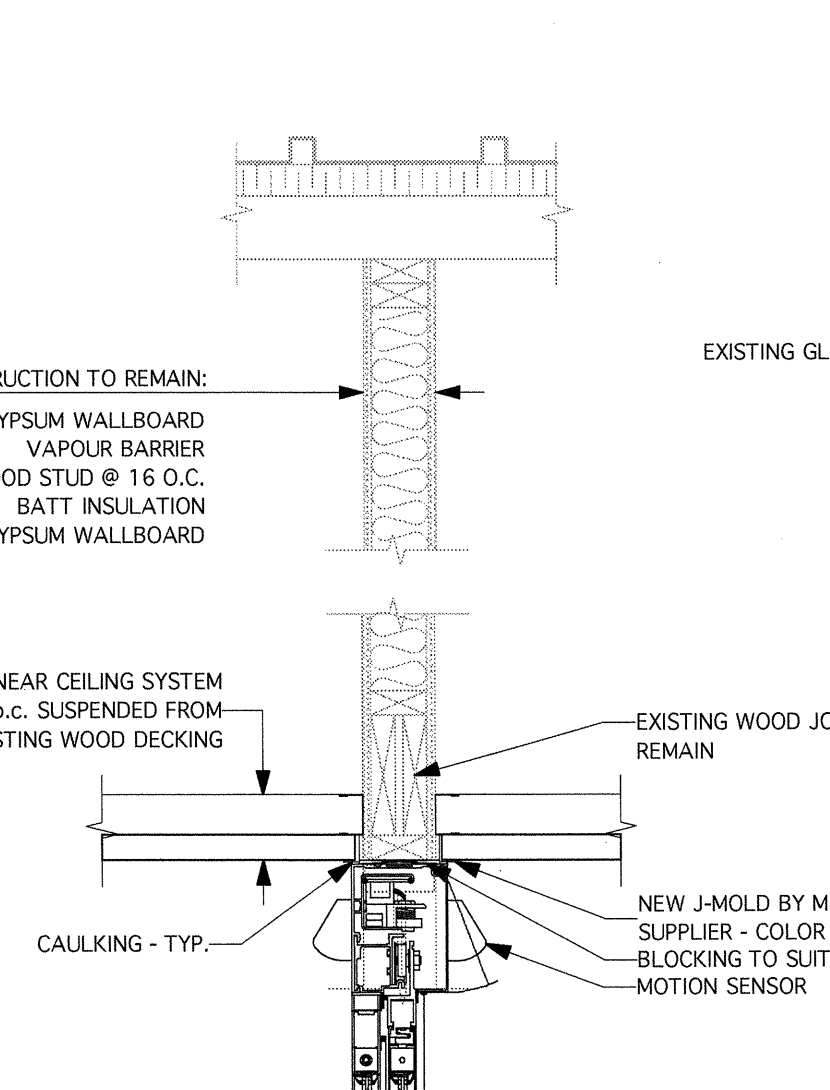


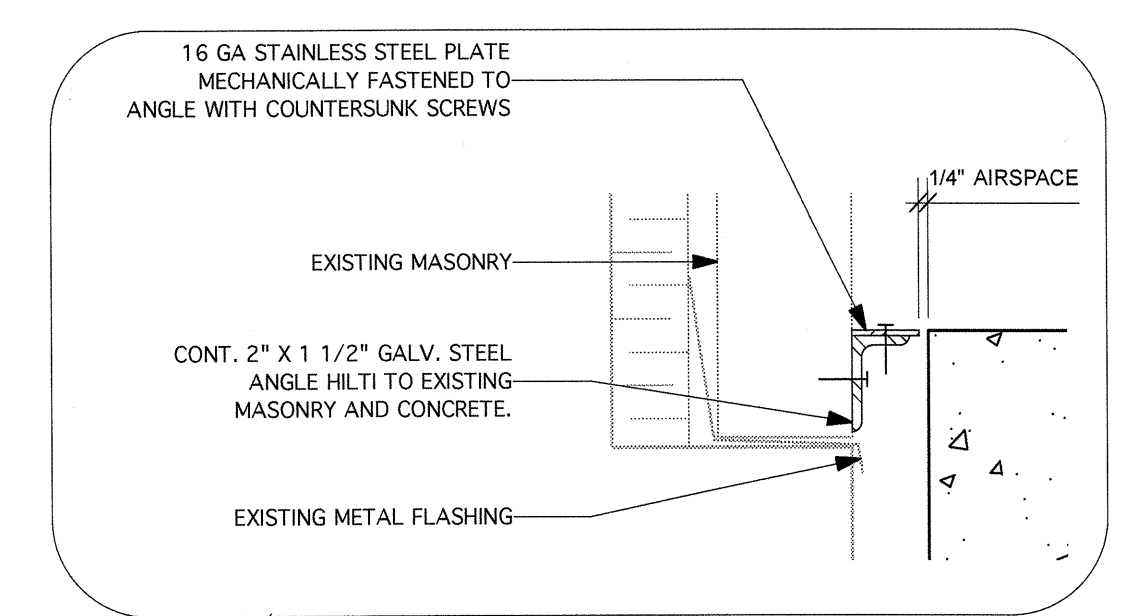
1 SECTION  
A1.5  
Scale 1" = 1'-0"



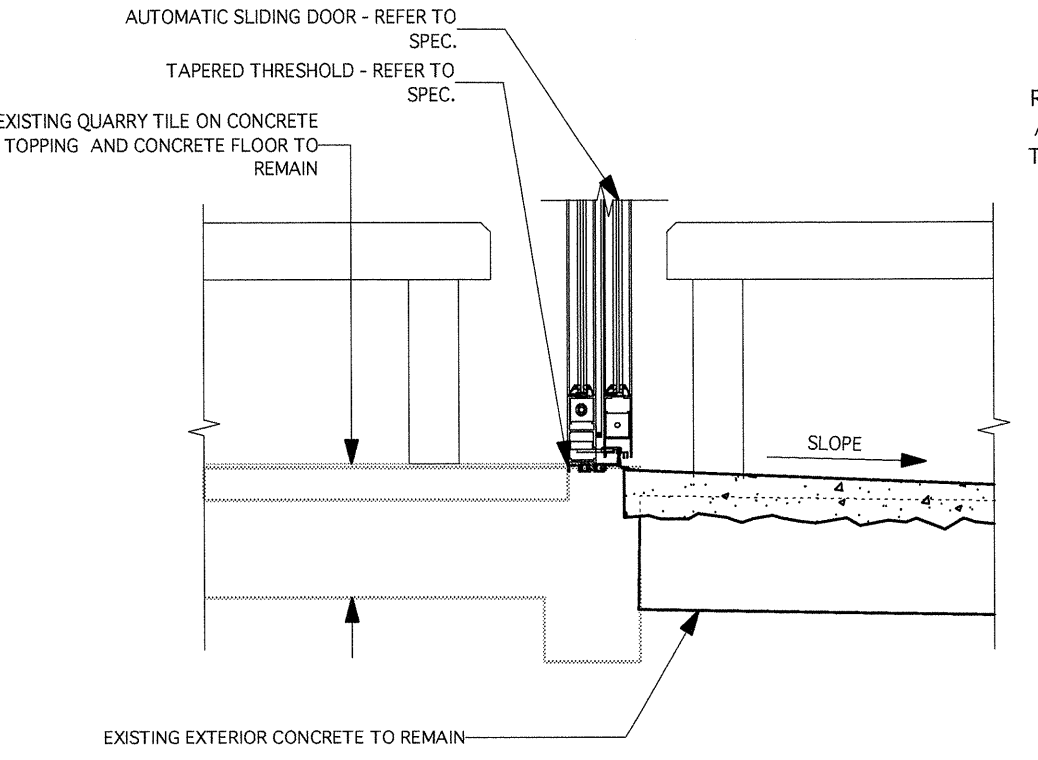
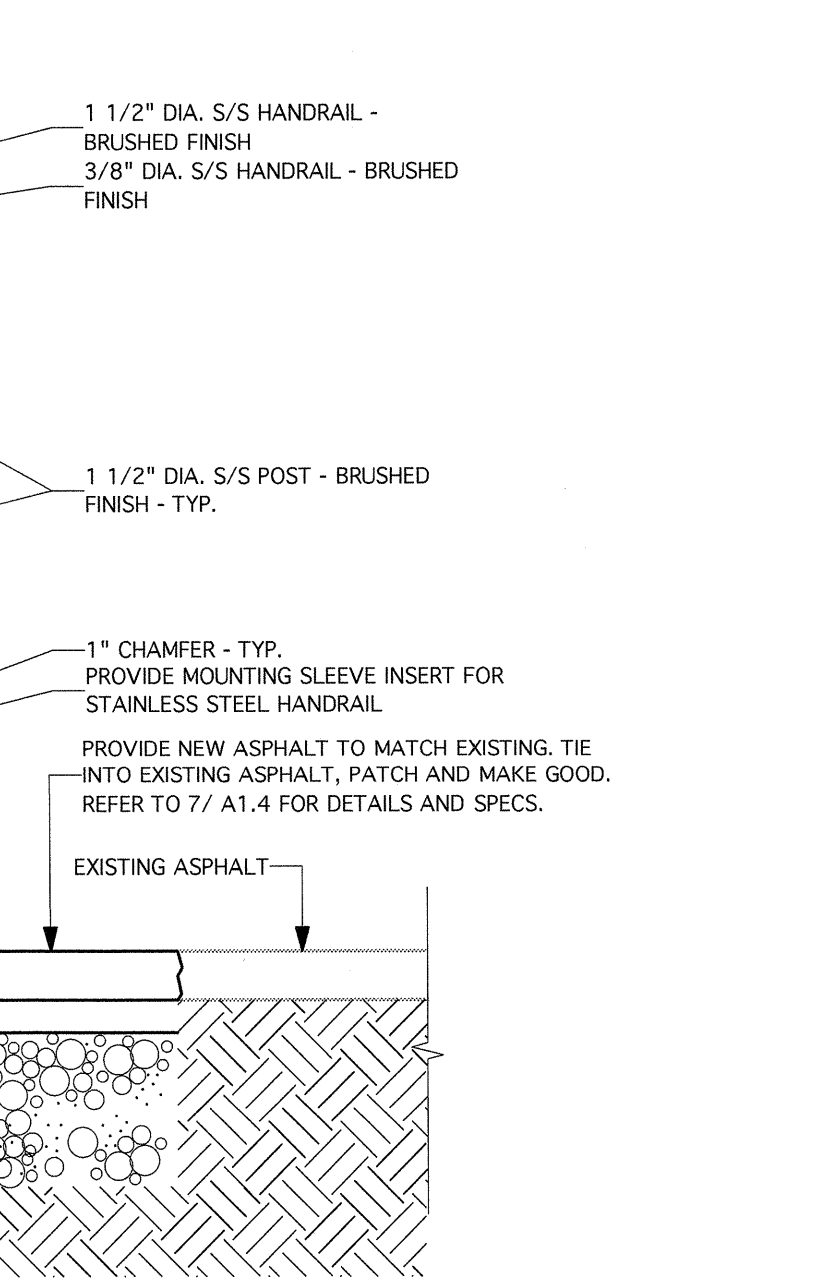
2 WALL SECTION  
A1.5  
Scale 1" = 1'-0"



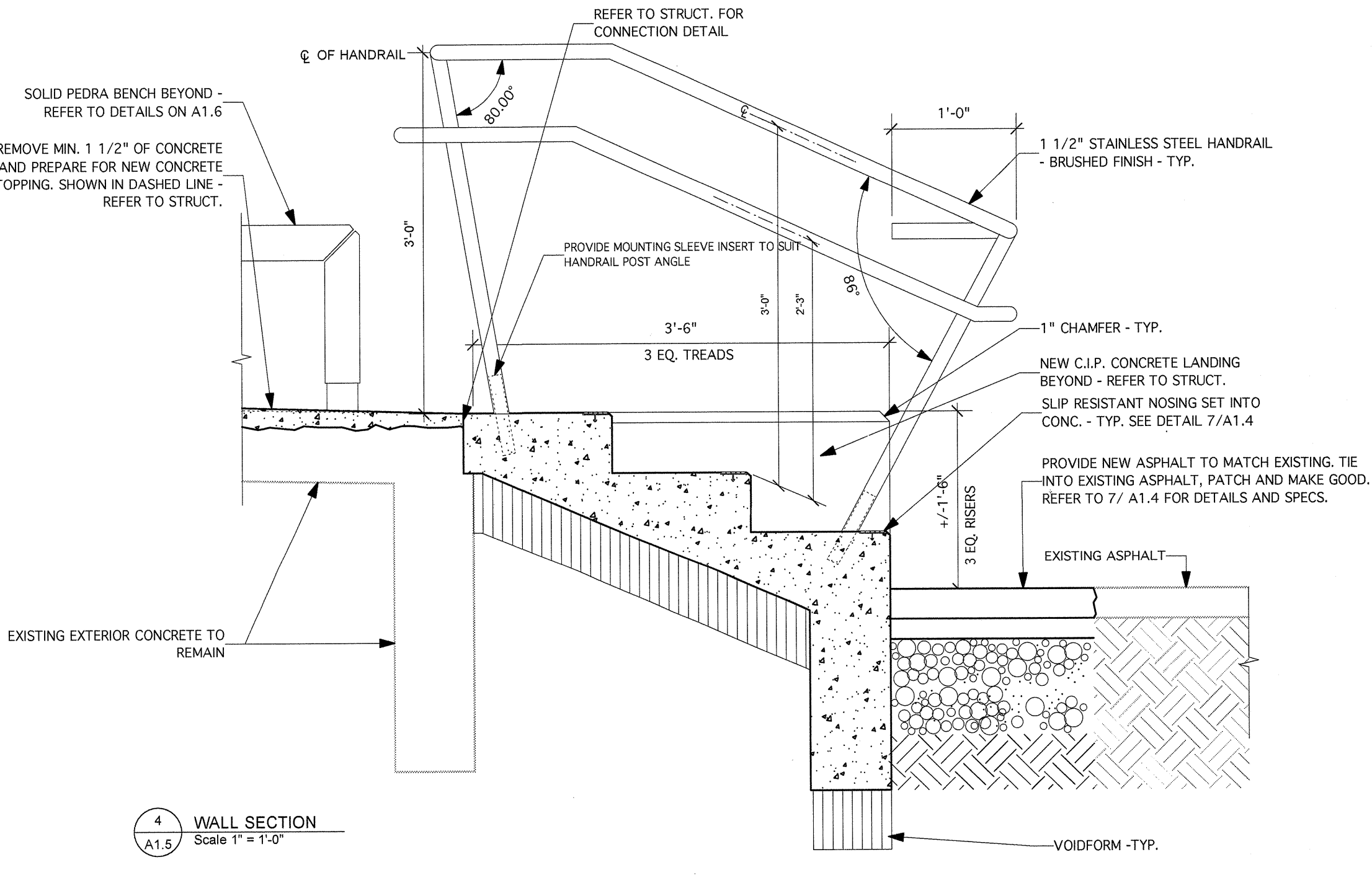
4 WALL SECTION  
A1.5  
Scale 1" = 1'-0"



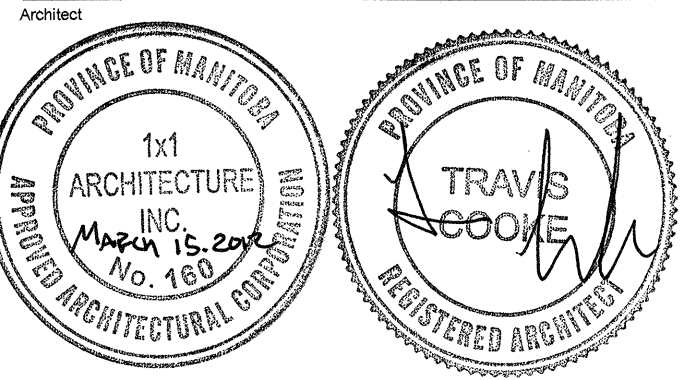
5 WALL SECTION  
A1.5  
Scale 1" = 1'-0"



3 WALL SECTION  
A1.5  
Scale 1" = 1'-0"



| No. | DATE       | REVISION / ISSUANCE     |
|-----|------------|-------------------------|
| 5   | YY.MM.DD   | -                       |
| 4   | YY.MM.DD   | -                       |
| 3   | YY.MM.DD   | -                       |
| 2   | YY.MM.DD   | -                       |
| 1   | 2012.03.15 | ISSUED FOR CONSTRUCTION |



1x1 architecture inc.  
421 McKay Park East Winnipeg, Manitoba R3L 0K6 204 919 2010

Project: BID OPPORTUNITY 139 - 2012  
Elmwood Kildonan Pool  
Front Entrance Upgrades  
909 Concordia Ave

Sheet Title: WALL SECTIONS AND DETAILS

Project No: 1125  
Date: MARCH 15 2012

A1.5