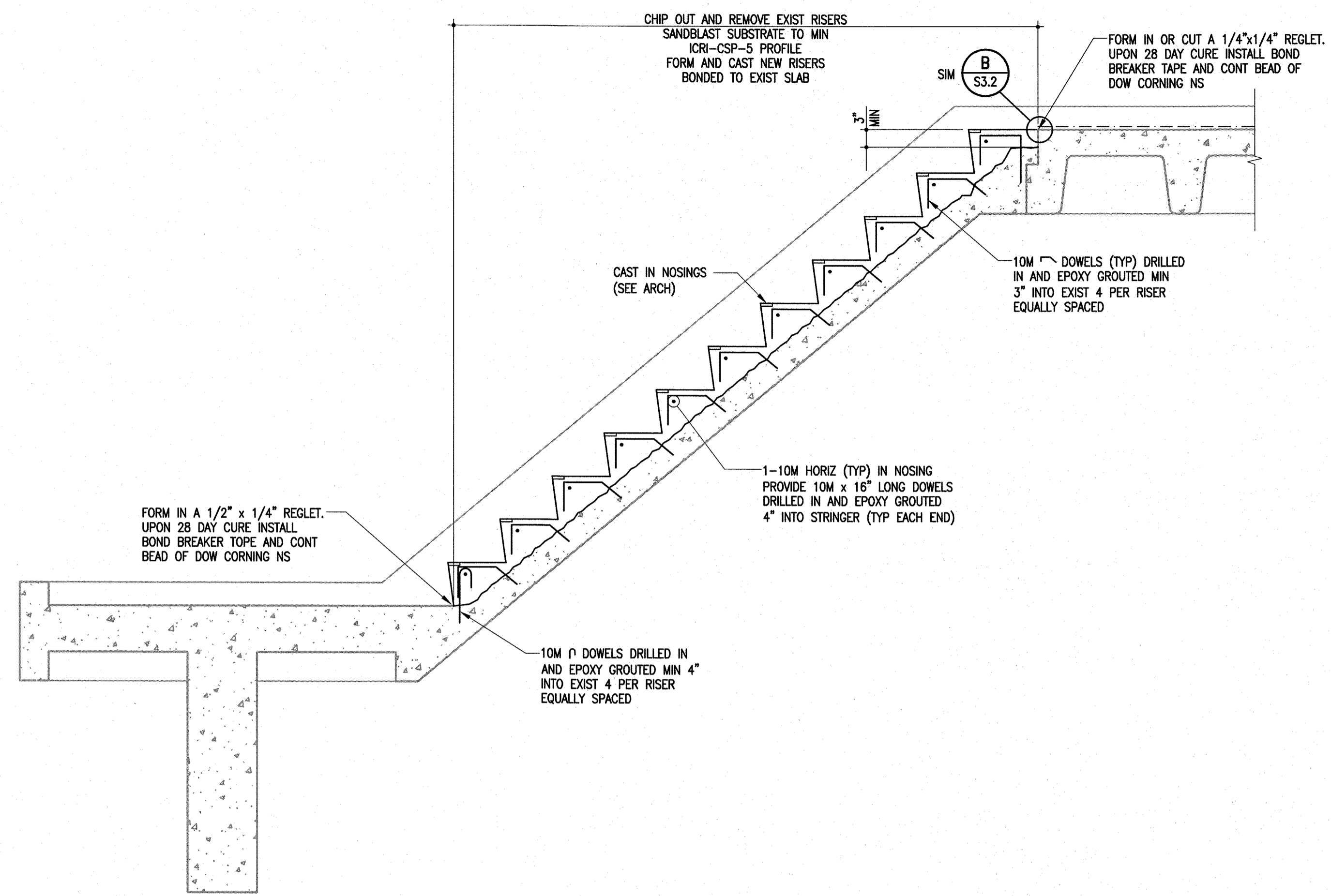
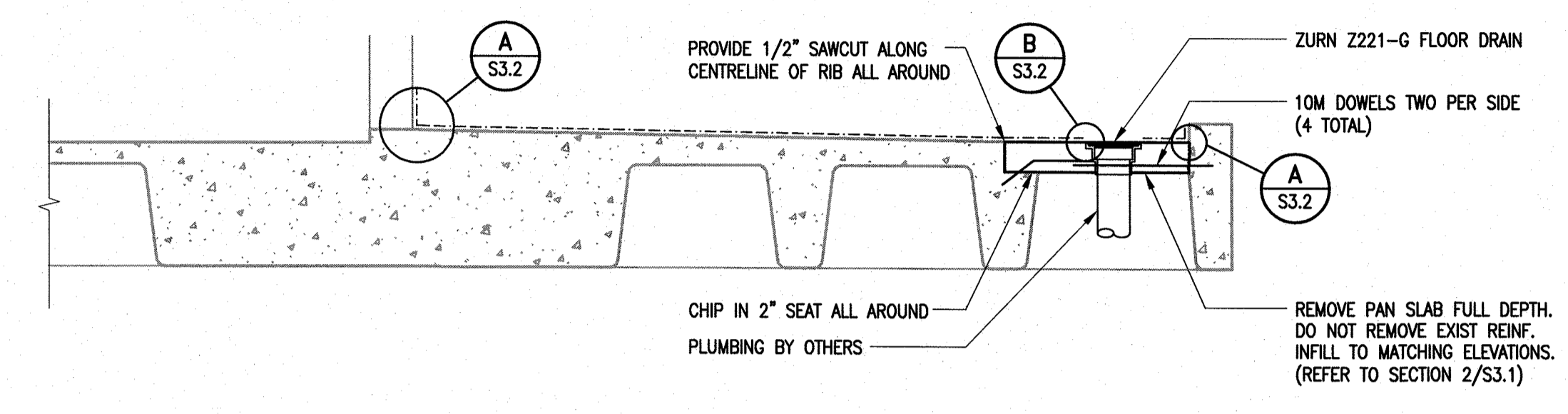


THIS DRAWING MUST NOT BE SCALED.
 THE GENERAL CONTRACTOR SHALL VERIFY ALL DIMENSIONS, DATUMS, AND LEVELS PRIOR TO COMMENCEMENT OF WORK. ALL ERRORS AND OMISSIONS TO BE REPORTED TO NUMBER TEN ARCHITECTURAL GROUP BEFORE PROCEEDING.
 VARIATIONS AND MODIFICATIONS TO WORK SHOWN ON THESE DRAWINGS SHALL NOT BE CARRIED OUT WITHOUT WRITTEN PERMISSION OF NUMBER TEN ARCHITECTURAL GROUP.
 THIS DRAWING IS THE EXCLUSIVE PROPERTY OF NUMBER TEN ARCHITECTURAL GROUP AND THE COPYRIGHT IN THE SAME BEING RESERVED TO THEM. IT MAY BE REPRODUCED ONLY WITH THE PERMISSION OF NUMBER TEN ARCHITECTURAL GROUP, IN WHICH CASE THE REPRODUCTION MUST BEAR THEIR NAME.

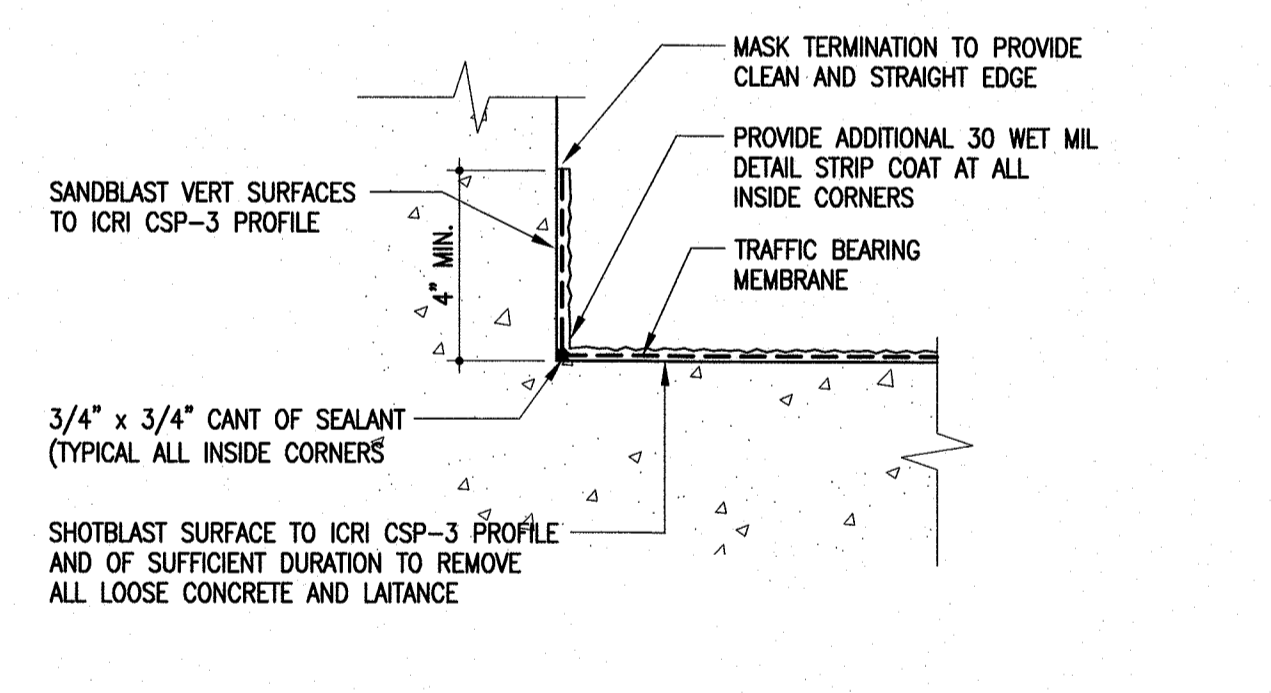
REVISED/ISSUED/ PLOTTED	DATE
ISSUED FOR TENDER	NOV 21, 2011



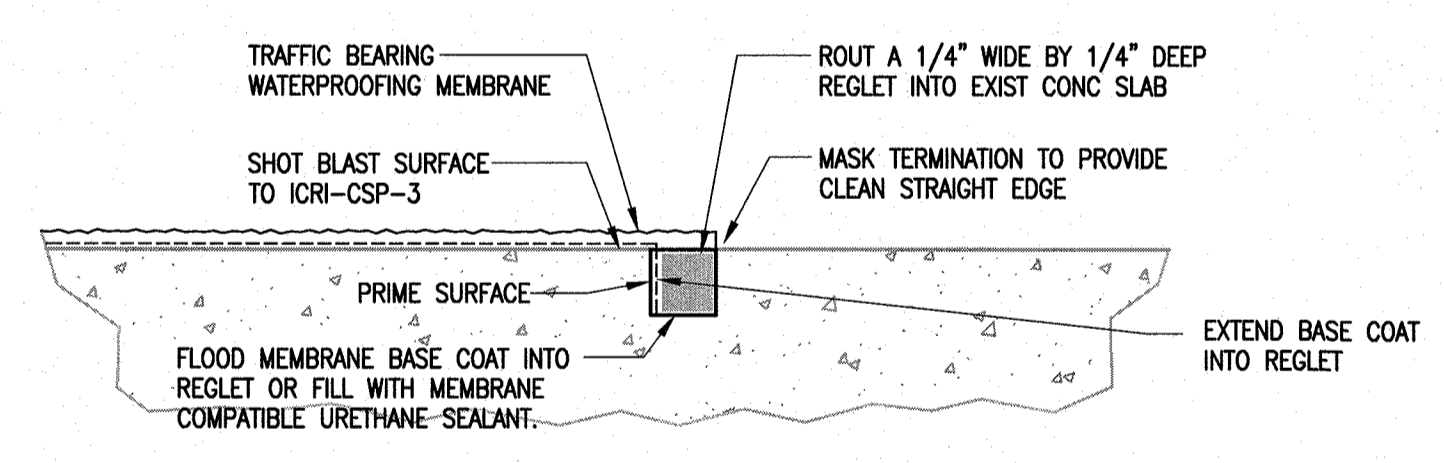
1 SECTION
 S3.2 3/4" = 1'-0"



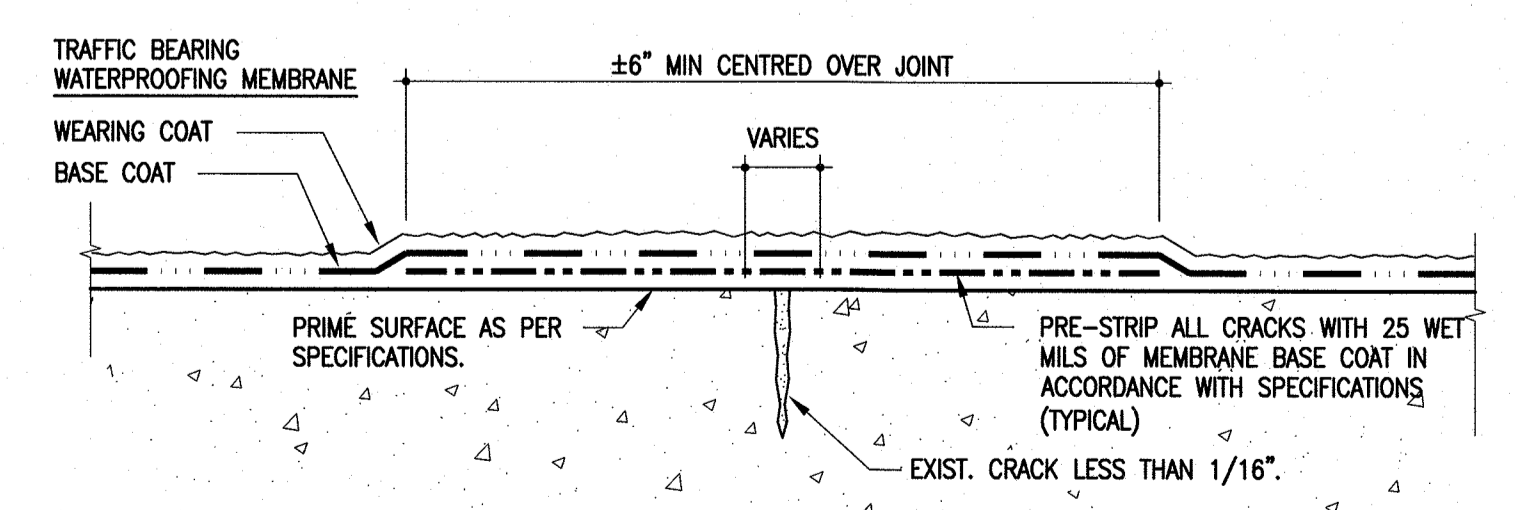
2 SECTION
 S3.2 3/4" = 1'-0"



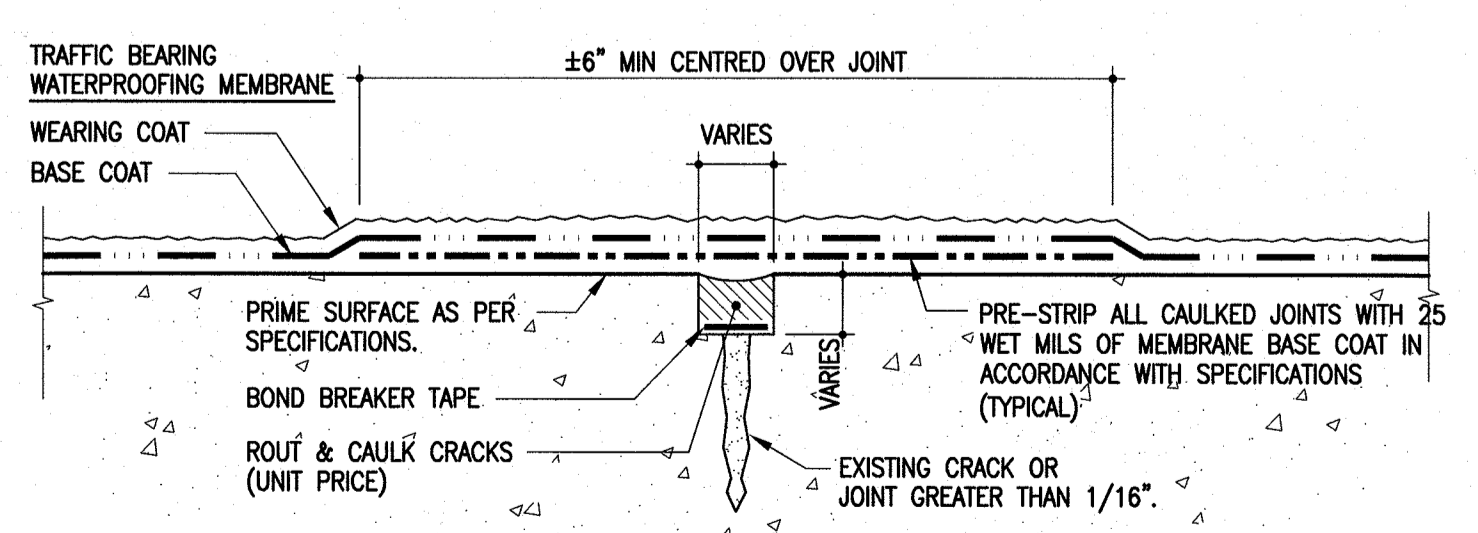
A TYPICAL DETAIL AT VERTICAL TRANSITION
 S3.2 3/4" = 1'-0" (FIXED PRICE)



B TYPICAL HORIZ TERMINATION DETAIL
 S3.2 SCALE: NTS (FIXED PRICE)



C TYPICAL DETAIL AT CRACKS
 S3.2 N.T.S. (FIXED PRICE)



D TYPICAL DETAIL AT CAULKING JOINT
 S3.2 N.T.S. (FIXED PRICE)

APEGM
 Certificate of Authorization
 Crosier Kilgour & Partners Ltd.
 No. 235 Date: Nov 21, 2011

numberTEN
 architectural group
 winnipeg MB regina SK victoria BC
 204.942.0981 306.721.1501 250.360.2106
 architecture • interior design • graphic design

project
 PEGUIS PAVILION
 UPGRADES AND ENTRY ADDITION
 BIDDING #913-2011

sheet title
 TYPICAL CONCRETE
 REPAIR DETAILS

consultant
 300-275 Carlton Street
 Winnipeg, Manitoba R3C 5W6
 T 204-943-7501
 F 204-943-7597
 2011-0492
 Crosier Kilgour & Partners Ltd.
 CONSULTING STRUCTURAL ENGINEERS

PROVINCE OF MANITOBA
 REGISTERED PROFESSIONAL ENGINEER
 D. J. MIZAK
 Member
 20801
 2011-0492

scale: AS NOTED
 drawn by: MS date: November 21, 2011
 checked by: TKM
 project no. 2011026 sheet no. S3.2