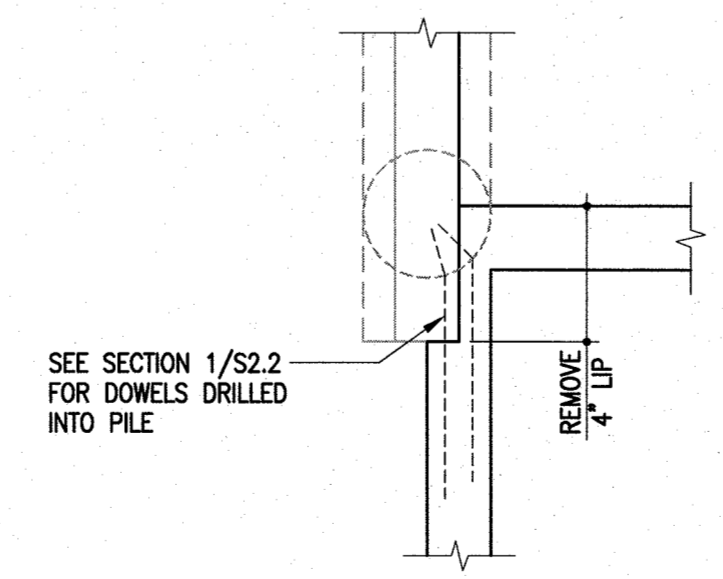
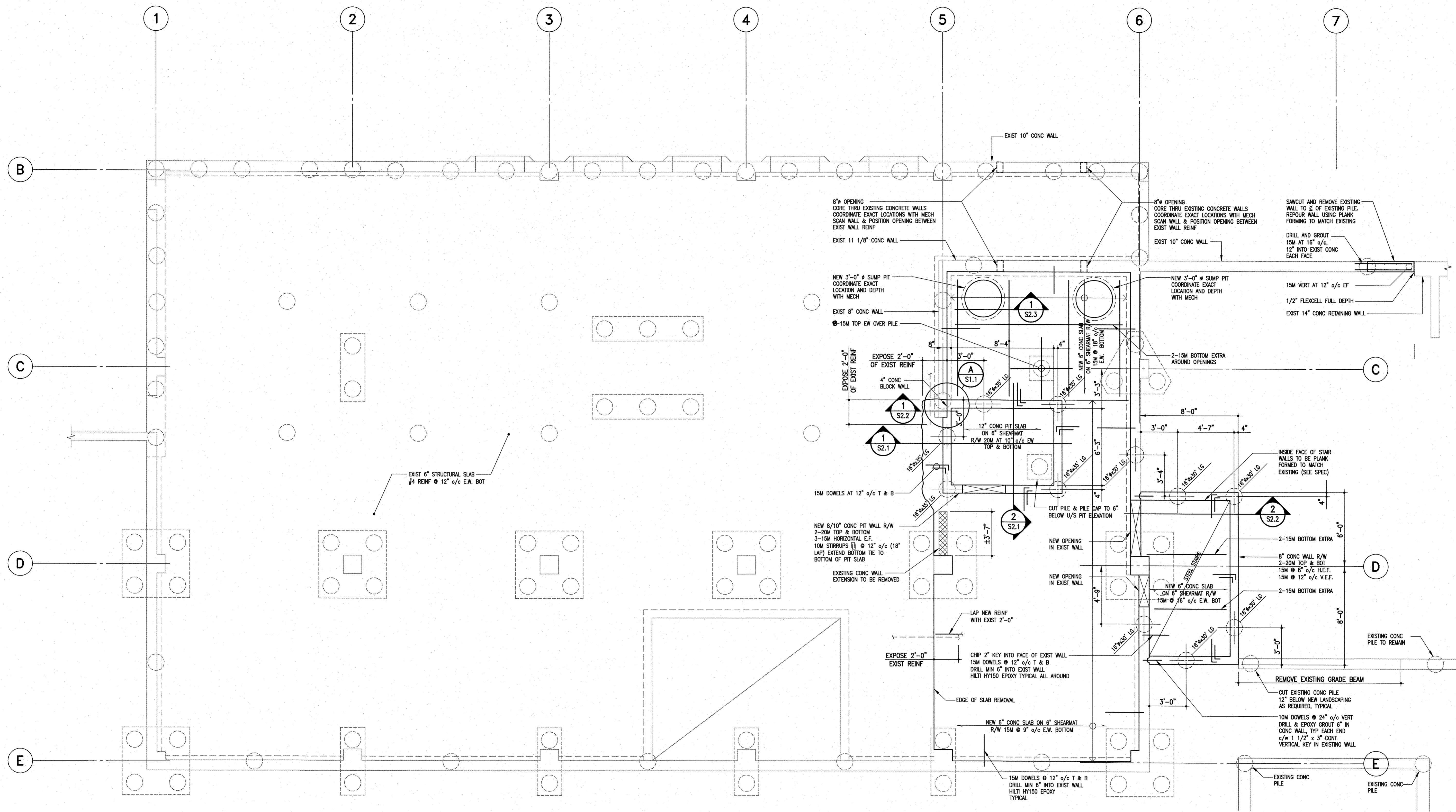
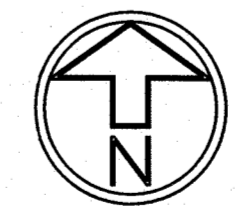


THIS DRAWING MUST NOT BE SCALED.
 THE GENERAL CONTRACTOR SHALL VERIFY ALL DIMENSIONS, DATINGS, AND LEVELS PRIOR TO COMMENCEMENT OF WORK. ALL ERRORS AND OMISSIONS TO BE REPORTED TO NUMBER TEN ARCHITECTURAL GROUP BEFORE PROCEEDING.
 VARIATIONS AND MODIFICATIONS TO WORK SHOWN ON THESE DRAWINGS SHALL NOT BE CARRIED OUT WITHOUT WRITTEN PERMISSION OF NUMBER TEN ARCHITECTURAL GROUP.
 THIS DRAWING IS THE EXCLUSIVE PROPERTY OF NUMBER TEN ARCHITECTURAL GROUP AND THE COPYRIGHT IN THE SAME BEING RESERVED TO THEM. IT MAY BE REPRODUCED ONLY WITH THE PERMISSION OF NUMBER TEN ARCHITECTURAL GROUP, IN WHICH CASE THE REPRODUCTION MUST BEAR THEIR NAME.

REVISED/ISSUED/PLOTTED	DATE
ISSUED FOR TENDER	NOV 21, 2011



A DETAIL
 S1.1 1/2" = 1'-0"



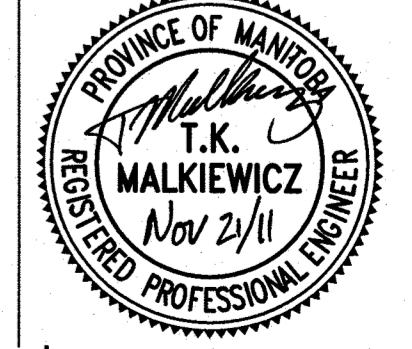
BASEMENT PLAN
 SCALE: 1/4" = 1'-0"
 • DESIGN LIVE LOAD = 100 psf

APEGM
 Certificate of Authorization
 Crosier Kilgour & Partners Ltd.
 No. 235 Date: Nov 21, 2011

numberTEN
 architectural group
 winnipeg MB regina SK victoria BC
 204 942.0781 306 721.1501 250 360.2106
 architecture • interior design • graphic design

PEGUIS PAVILION
 UPGRADES AND ENTRY ADDITION
 BIDDING #913-2011

project LOWER LEVEL PLAN
 sheet title
 300-275 Carlton Street
 Winnipeg, Manitoba R3C 0P6
 T 204 943 7503
 F 204 943 7507
 2011-0482
 Crosier Kilgour & Partners Ltd.
 CONSULTING STRUCTURAL ENGINEERS



seal
 drawn by: MS
 checked by: TKM
 project no. 2011026
 scale: AS NOTED
 date: November 21, 2011
 sheet no. S1.1