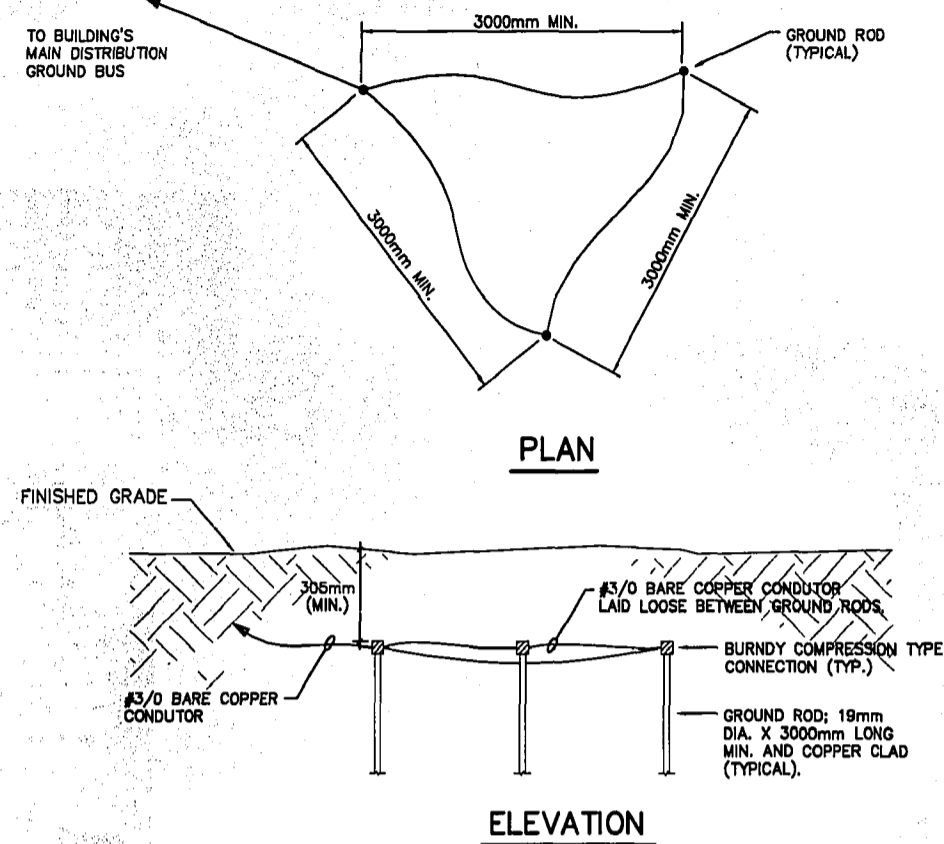
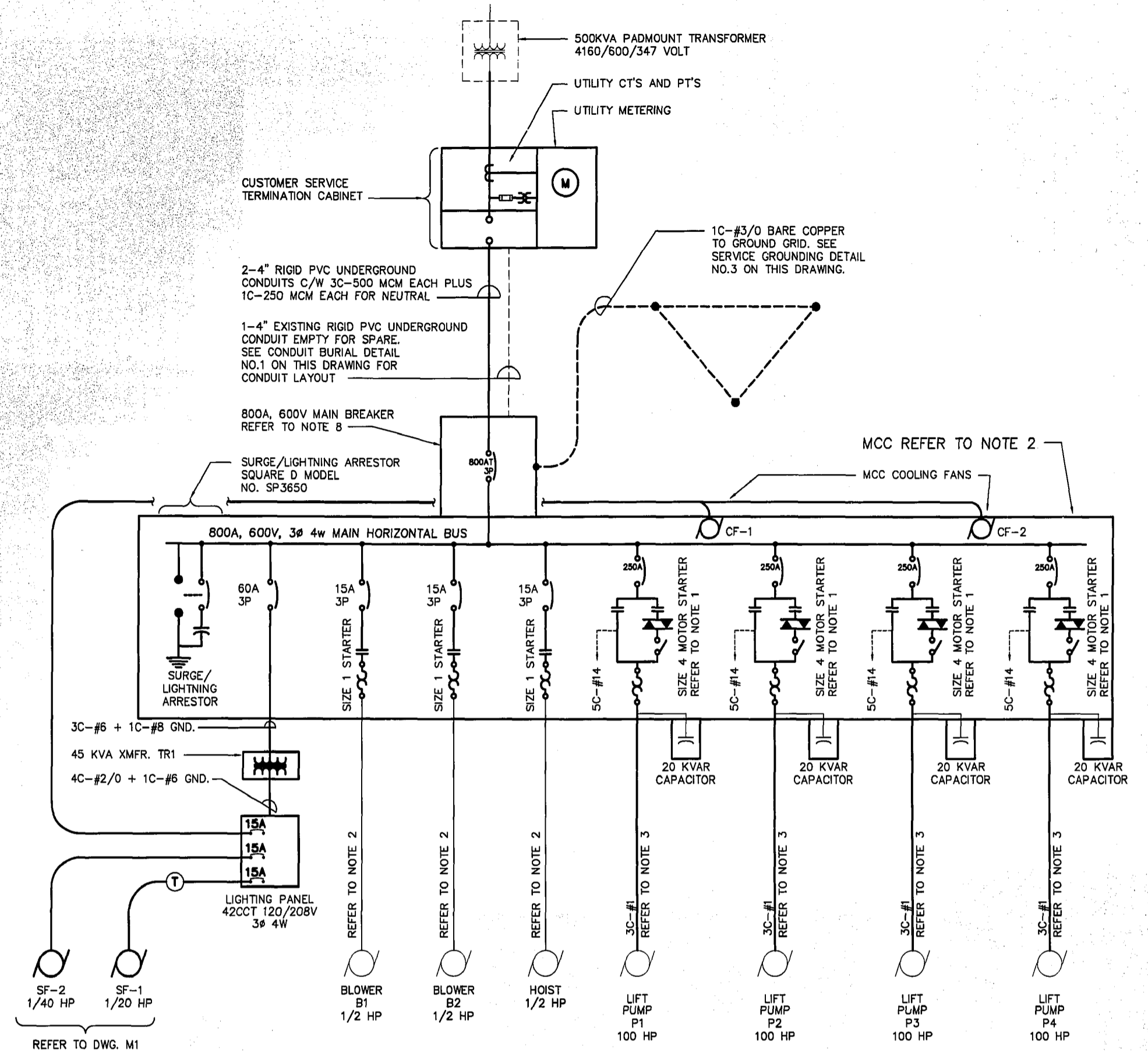


1 CONDUIT BURIAL DETAIL
E2 SCALE N.T.S.



3 SERVICE GROUNDING DETAIL
E2 SCALE N.T.S.

NOTES:
1) ADDITIONAL GROUND RODS MAY BE REQUIRED ACCORDING TO LOCAL CONDITIONS. SPACE ADDITIONAL GROUND RODS A MINIMUM OF 3000mm FROM OTHER RODS.



2 SINGLE LINE DIAGRAM
E2 SCALE NTS

NOTE: 1. 5C-#14 IN 1" RIGID AL. CONDUCTOR FROM EACH PUMP MOTOR STARTER TO PUMP CONTROL PANEL (LCP1) WHICH IS LOCATED TWO LEVELS BELOW ELECTRICAL ROOM. CONTROL WIRING TERMINATED IN PUMP CONTROL PANEL AND PUMP MOTOR STARTERS.
2. ALL BUS BARS ARE TIN PLATED.
3. Cu AL COMPRESSION TYPE TERMINATION C/W HEATSHRINK OVER THE TERMINATION AND CONDUCTOR FOR THE MAIN SERVICE BREAKER AND THE 4-100 HP PUMPS CONNECTIONS.

UNIT NO.	NAME	MOTOR LOCATION	H.P.	VOLTS	CIRCUIT	BKR	FEEDER & CONTROL CONDUIT & WIRE	M.C.C. NO.	CONTROL								
									STARTER LOCATION	C.S.A. SIZE MAN	H.O.A.	ELAPSE TIME MT	EXTERNAL RESET	AMP METER	RED RUN P.L.	CONTROL XMFR.	THERMISTORS
BLOWER B1	AIR BLOWER NO. 1	BLOWER ROOM	1/2	600 3ø	—	15A 3ø	REFER TO SINGLE LINE DIAGRAM	MCC	1	—	—	Δ	—	Δ	Δ	—	—
BLOWER B2	AIR BLOWER NO. 2	BELOW ELECTRICAL	1/2	600 3ø	—	15A 3ø	REFER TO SINGLE LINE DIAGRAM	MCC	1	—	—	Δ	—	Δ	Δ	—	—
HOIST	ELECTRIC EQUIPMENT HOIST	ELECTRICAL ROOM	1/2	600 3ø	—	15A 3ø	REFER TO SINGLE LINE DIAGRAM	MCC	1	—	—	—	—	Δ	—	—	
LIFT PUMP P1	LIFT PUMP NO. 1	PUMP ROOM	100	600 3ø	—	250A 3ø	5C-#14 (CONTROL) 3C-#1 + #4 GND.(FEED)	MCC	4	□	Δ	Δ	Δ	Δ	Δ	—	CONTROL PANEL
LIFT PUMP P1	LIFT PUMP NO. 2	PUMP ROOM	100	600 3ø	—	250A 3ø	5C-#14 (CONTROL) 3C-#1 + #4 GND.(FEED)	MCC	4	□	Δ	Δ	Δ	Δ	Δ	—	CONTROL PANEL
LIFT PUMP P1	LIFT PUMP NO. 3	PUMP ROOM	100	600 3ø	—	250A 3ø	5C-#14 (CONTROL) 3C-#1 + #4 GND.(FEED)	MCC	4	□	Δ	Δ	Δ	Δ	Δ	—	CONTROL PANEL
LIFT PUMP P1	LIFT PUMP NO. 4	PUMP ROOM	100	600 3ø	—	250A 3ø	5C-#14 (CONTROL) 3C-#1 + #4 GND.(FEED)	MCC	4	□	Δ	Δ	Δ	Δ	Δ	—	CONTROL PANEL
SF-1	SUPPLY FAN NO. 1	SOUTH WALL ELECTRICAL	1/20	120 1ø	—	15A 1ø	3C-#12 TECK CABLE OR RW60 IN 1" RIGID ALUM.	—	—	—	—	—	—	—	—	—	T-STAT AND DAMPERS
SF-2	SUPPLY FAN NO. 2	WEST WALL ELECTRICAL	1/40	120 1ø	—	15A 1ø	3C-#12 TECK CABLE OR RW60 IN 1" RIGID ALUM.	—	—	—	—	—	—	—	—	—	—

REID, CROWTHER & PARTNERS LIMITED
WINNIPEG
RECORD DRAWING
SIG. DATE DECEMBER 1996

		ENGINEER'S SEAL ORIGINAL SIGNED BY P. STRYK	THE CITY OF WINNIPEG WORKS AND OPERATIONS DIVISION WATER AND WASTE DEPT.
DESIGNED BY PS CHECKED BY PS DRAWN BY CPG APPROVED BY	HOR. SCALE: AS NOTED RELEASED FOR	REGIONAL OPERATIONS 96-01-31	CITY DRAWING NUMBER 1542 SHEET 2 OF 3
2 RECORD DRAWING 12/96 PS 1 ISSUED FOR TENDER 02/96 PS NO. REVISIONS DATE BY DATE DATE	96-01-22 DATE DATE 96-01-31 DATE DATE	CONSULTANT DRAWING NO. 61776 - E2	MONTCALM SEWAGE PUMPING STATION ELECTRICAL ROOM SINGLE LINE DIAGRAM AND MISC. DETAILS E2