

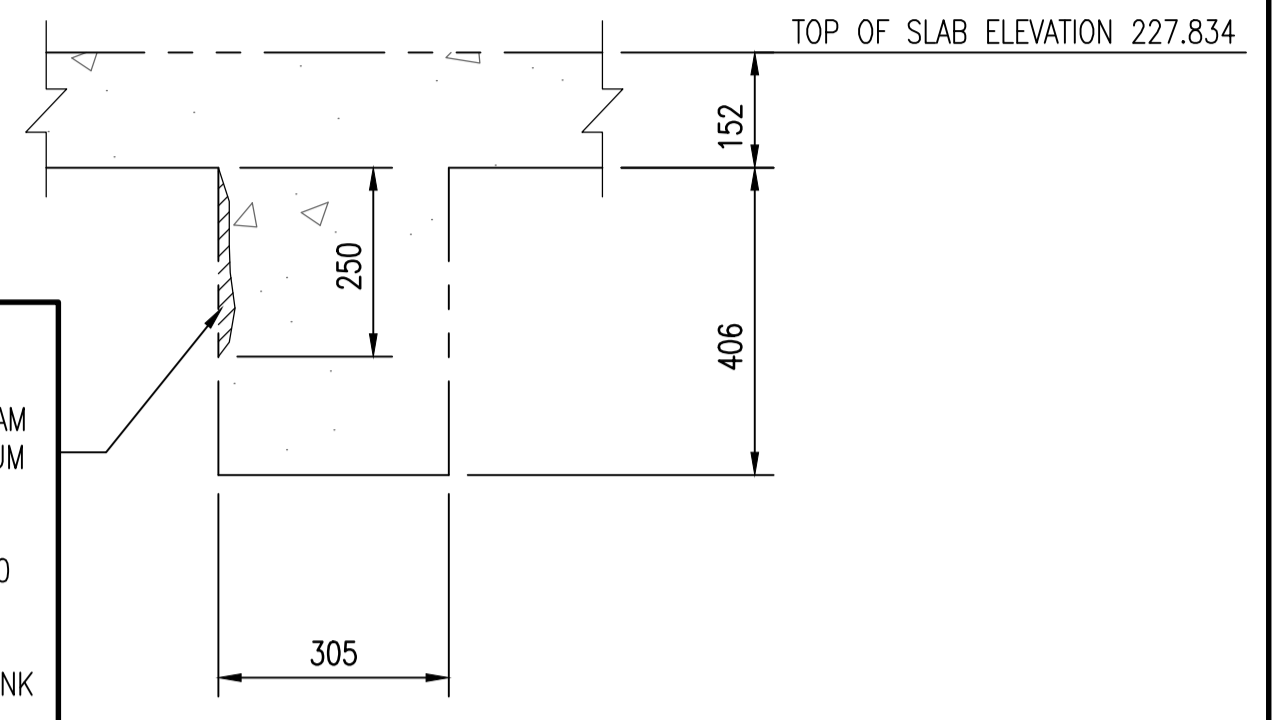
**LOWER LEVEL 1 AND COMMUNICATOR CHAMBER CROSS-SECTION**  
SCALE: 1 : 50

**REPAIR OF CONCRETE WALLS AND CEILING (LOWER LEVEL 1)**

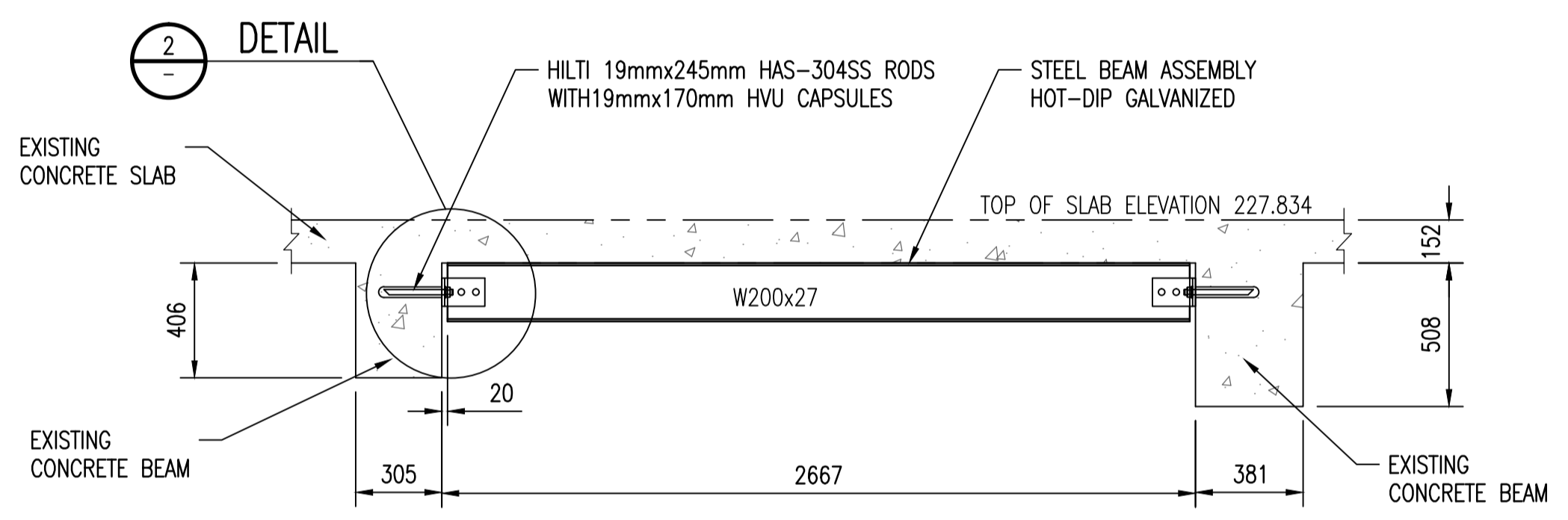
1. CLEAN THE WALLS/CEILING TO REMOVE ALL DEBRIS.
2. APPLY WHITE PAINT ON THE WALLS AND THE CEILING.

**CONCRETE BEAM REPAIR**

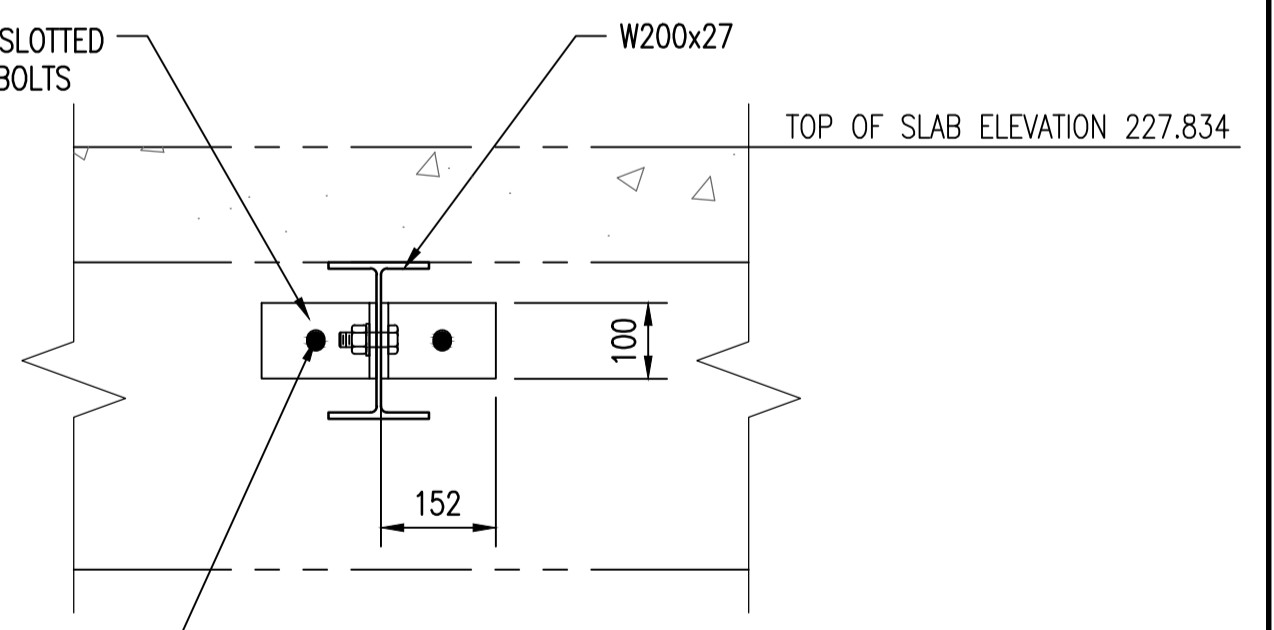
1. CHIP AWAY THE SPALLED CONCRETE FROM THE BEAM TO EXPOSE NON DAMAGED CONCRETE OR A MINIMUM OF 25mm.
2. BRUSH AWAY LOOSE RUST FROM STEEL.
3. APPLY CORROSION INHIBITING PRIMER CIMGUARD-20 OR APPROVED EQUAL ON STEEL.
4. APPLY CEMENT SLURRY ON EXPOSED CONCRETE.
5. RESTORE BEAM TO ORIGINAL SIZE USING NON SHRINK GROUT.



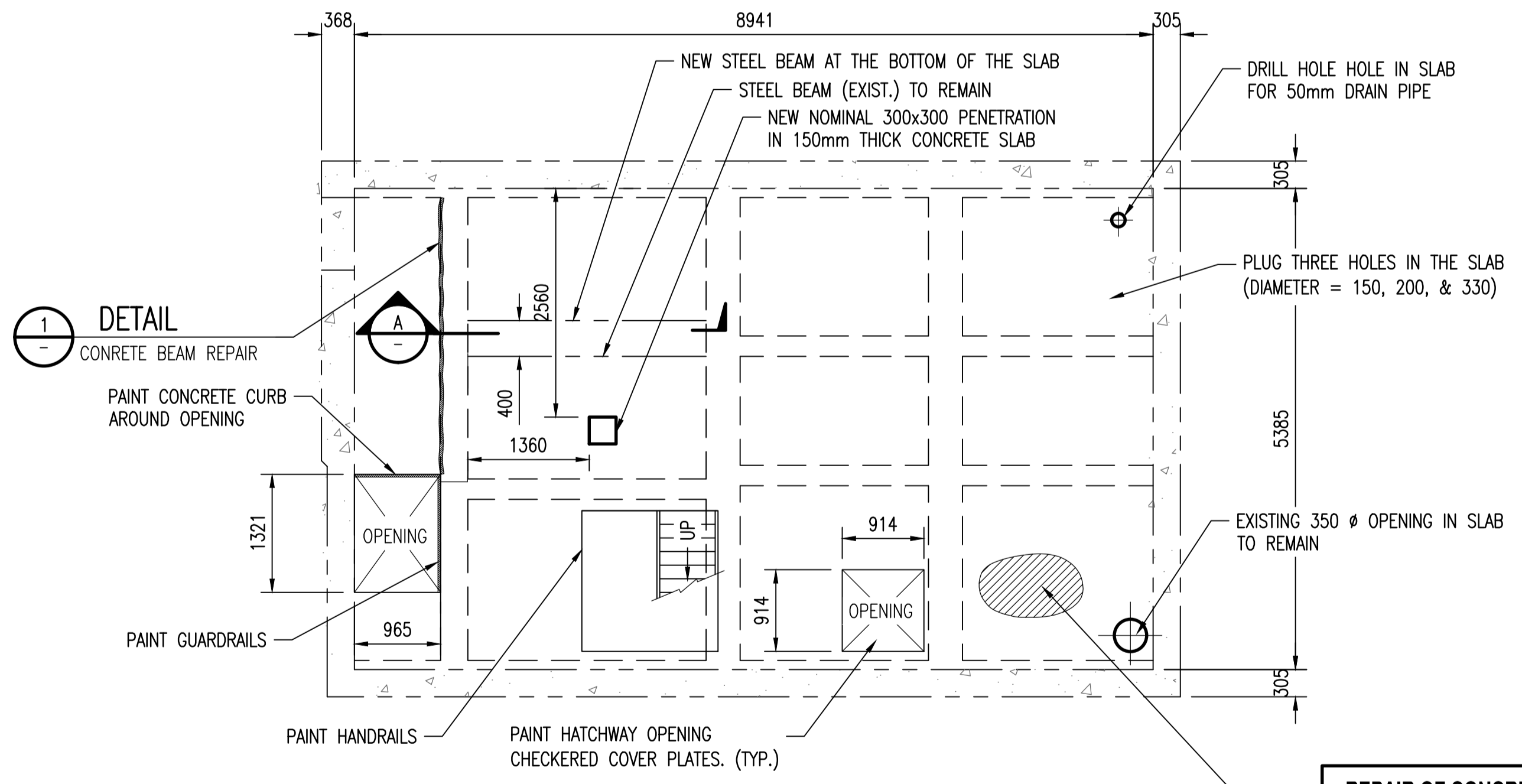
**DETAIL 1**  
SCALE: 1 : 10



**SECTION A**  
SCALE: 1 : 20



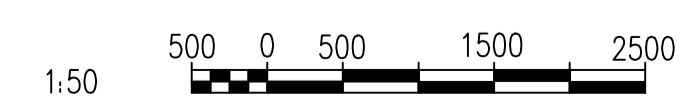
**DETAIL 2**  
SCALE: 1 : 10



**FLOOR PLAN AT ELEV. 227.834 (LOWER LEVEL 1)**  
SCALE: 1 : 50

**REPAIR OF CONCRETE FLOOR (TYP.)**

1. CLEAN AND PROFILE THE CONCRETE SURFACE USING A SHOT BLASTER TO CSP-2. (CONCRETE SURFACE PROFILE)
2. SMOOTH GRIND UNEVEN SURFACES AND REPAIR USING NON SHRINK GROUT IF REQUIRED.
3. CLEAN ALL THE DEBRIS FROM THE SURFACE.
4. PAINT THE CONCRETE SURFACE.



**NOTES:**

1. SEE DRAWING 1-0164L-S0001 FOR GENERAL NOTES.
2. SIZES AND LOCATIONS OF THE FLOOR PENETRATIONS TO BE COORDINATED WITH MECHANICAL CONTRACTOR.

264	CONCRETE AND STEEL DETAILS
DRAWING NUMBER	REFERENCE DRAWINGS



NO.	REVISIONS	DATE	DESIGN	CHECK
00	ISSUED FOR TENDER BID OPP. 907-2011	2012/02/24	DS	RB

		SNC-LAVALIN INC. 148 Nature Park Way Winnipeg, MB, Canada R3P 0X7 204-786-8080	
DESIGNED BY:	D. SIDHU	CHECKED BY:	R. C. BEAN
DRAWN BY:	M. TUGADE	APPROVED BY:	C. J. REIMER
SCALE:	AS SHOWN	RELEASED FOR CONSTRUCTION BY:	K.R. ZUREK
DATE:	2011/09/29	DATE:	2012/02/24
CONSULTANT NO.:		508042-0000-42DD-0019	

THE CITY OF WINNIPEG WATER AND WASTE DEPARTMENT	
MONTCALM WASTEWATER PUMPING STATION 2011 UPGRADES PLAN, SECTIONS AND DETAILS LOWER LEVEL 1 AND COMMUNICATOR CHAMBER REPAIRS	
CITY DRAWING NUMBER	1-0164L-S0019
SHEET	001
REV.	00
SIZE	A1