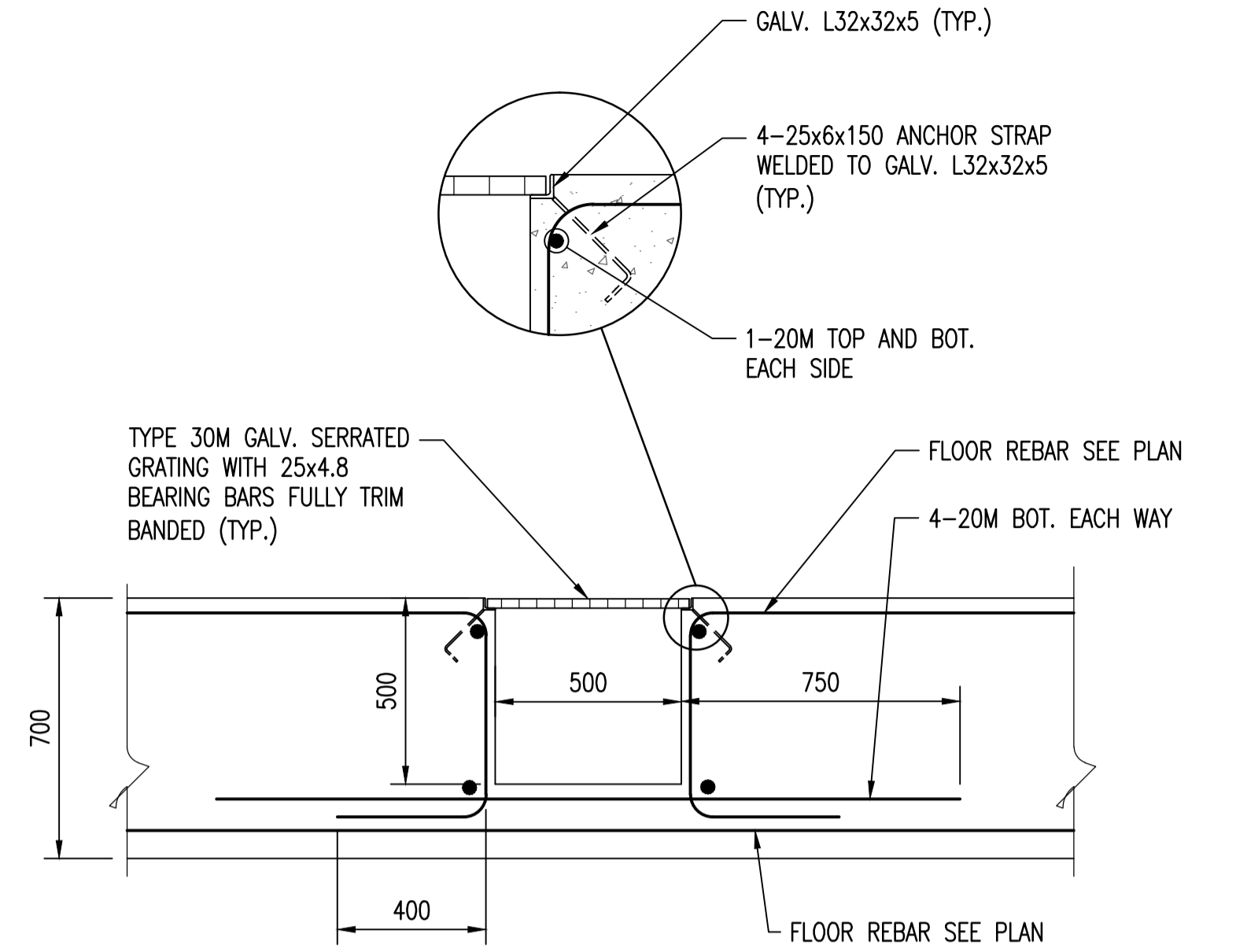


PLAN-TOP OF SLAB ELEVATION FROM 220.550m TO 220.450m
SCALE: 1 : 30



SECTION A-A
SCALE: 1 : 16

261	MONTCALM SEWAGE PUMPING STATION ADDITIONS (EQUIPMENT)
05358	MONTCALM SEWAGE PUMPING STATION FORCEMAIN REPLACEMENT
DRAWING NUMBER	REFERENCE DRAWINGS



NO.	REVISIONS	DATE	DESIGN	CHECK
00	ISSUED FOR TENDER, BID OPP. 907-2011	2012/02/02	R.B.	D.S.

SNC-LAVALIN INC. 148 Nature Park Way Winnipeg, MB, Canada R3P 0X7 204-786-8080	
DESIGNED BY: R. BEAN	CHECKED BY: D. SIDHU
DRAWN BY: L. GAO	APPROVED BY: C. REIMER
SCALE: AS NOTED	RELEASED FOR CONSTRUCTION BY: K.R. ZUREK
DATE: 2011/09/15	DATE: 2012/02/23
CONSULTANT NO.: 508042-0000-42DD-0002	

ENGINEER'S SEAL

ORIGINAL DRAWING
SEALED BY:
R.C.BEAN
SNC-LAVALIN INC
2012/02/12
REV.00

THE CITY OF WINNIPEG WATER AND WASTE DEPARTMENT	
MONTCALM WASTEWATER PUMPING STATION 2011 UPGRADES STRUCTURAL REINFORCING FLOWMETER CHAMBER FLOOR	
CITY DRAWING NUMBER 1-0164L-S0002	SHEET REV. SIZE 001 00 A1