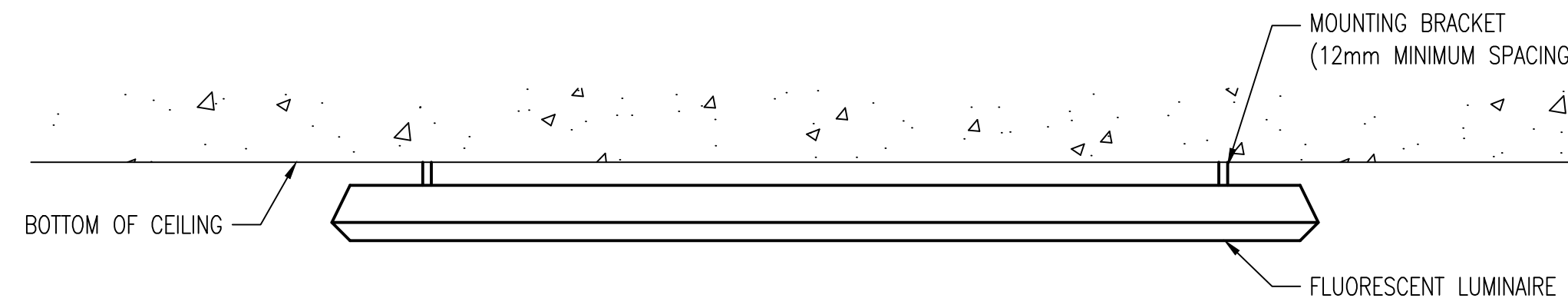
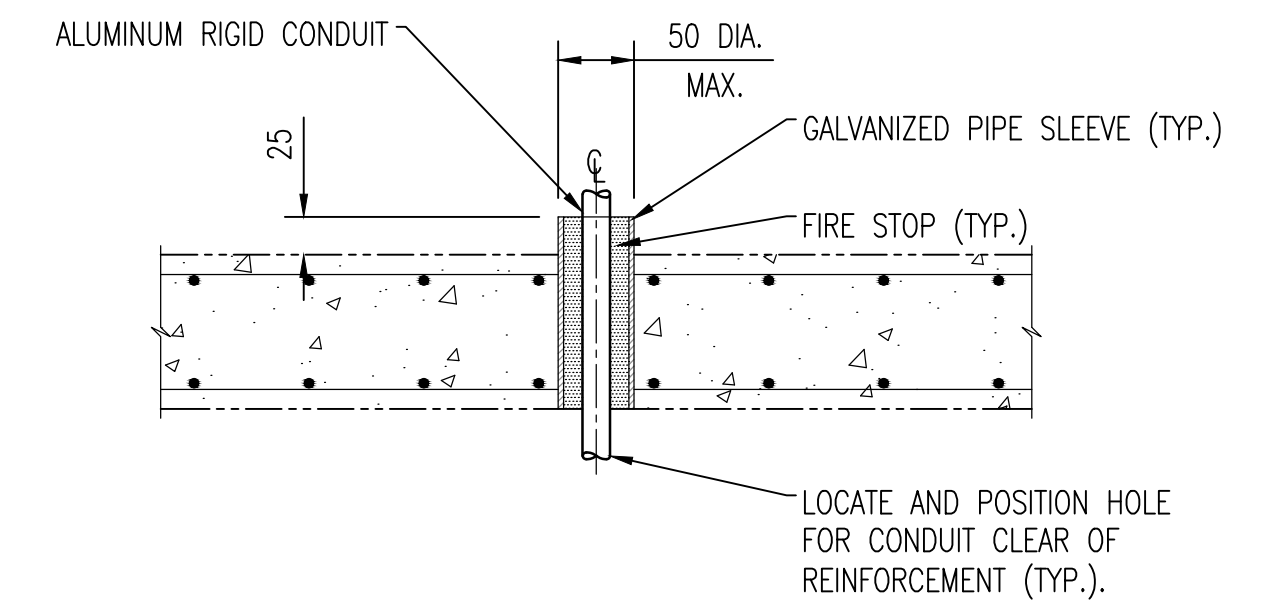


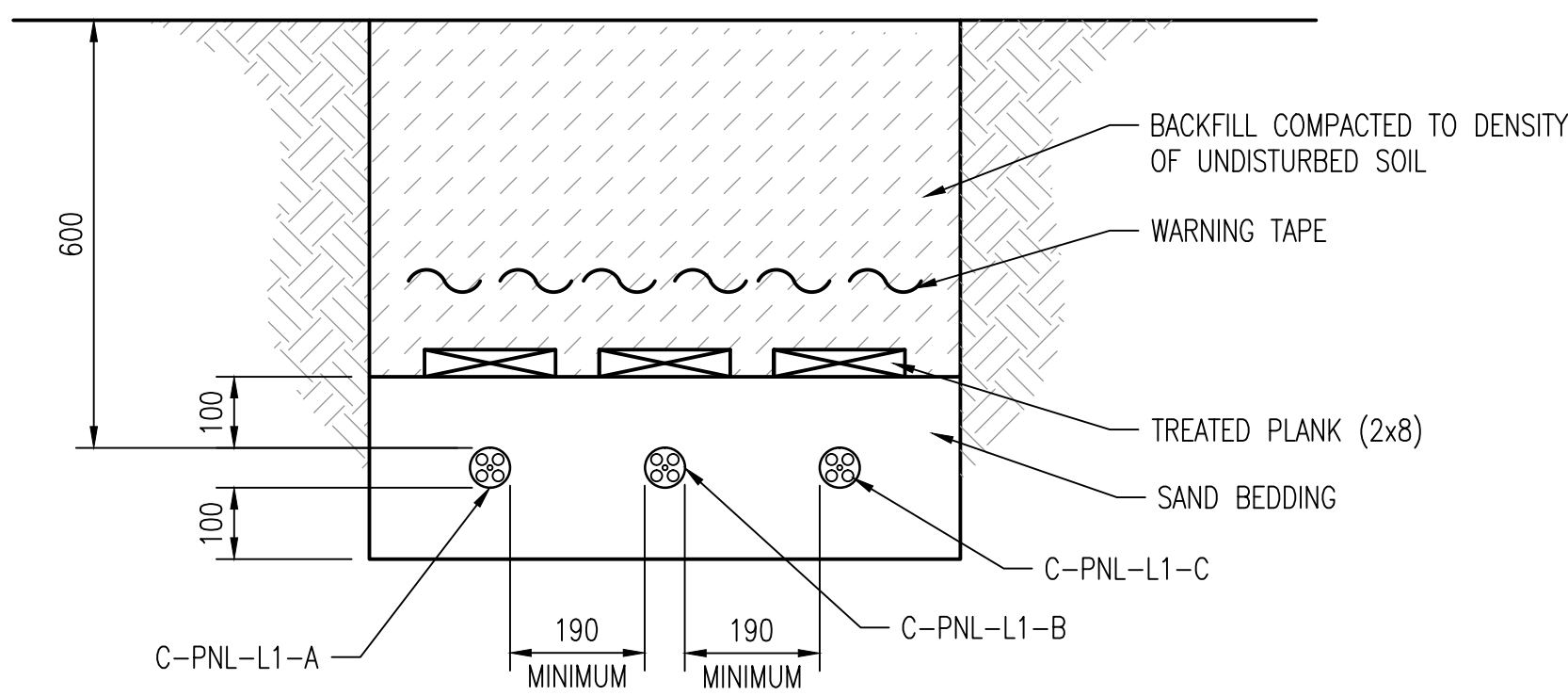
1 TYPICAL NEW CONDUIT EXITING HAZARDOUS AREA
SCALE: NTS



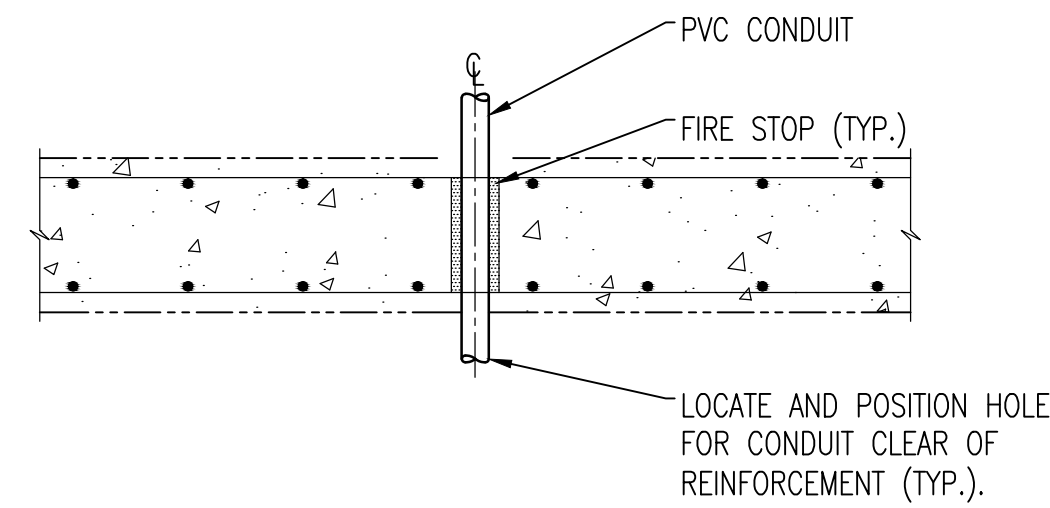
2 TYPICAL FLUORESCENT LUMINAIRE - CEILING MOUNT
SCALE: NTS



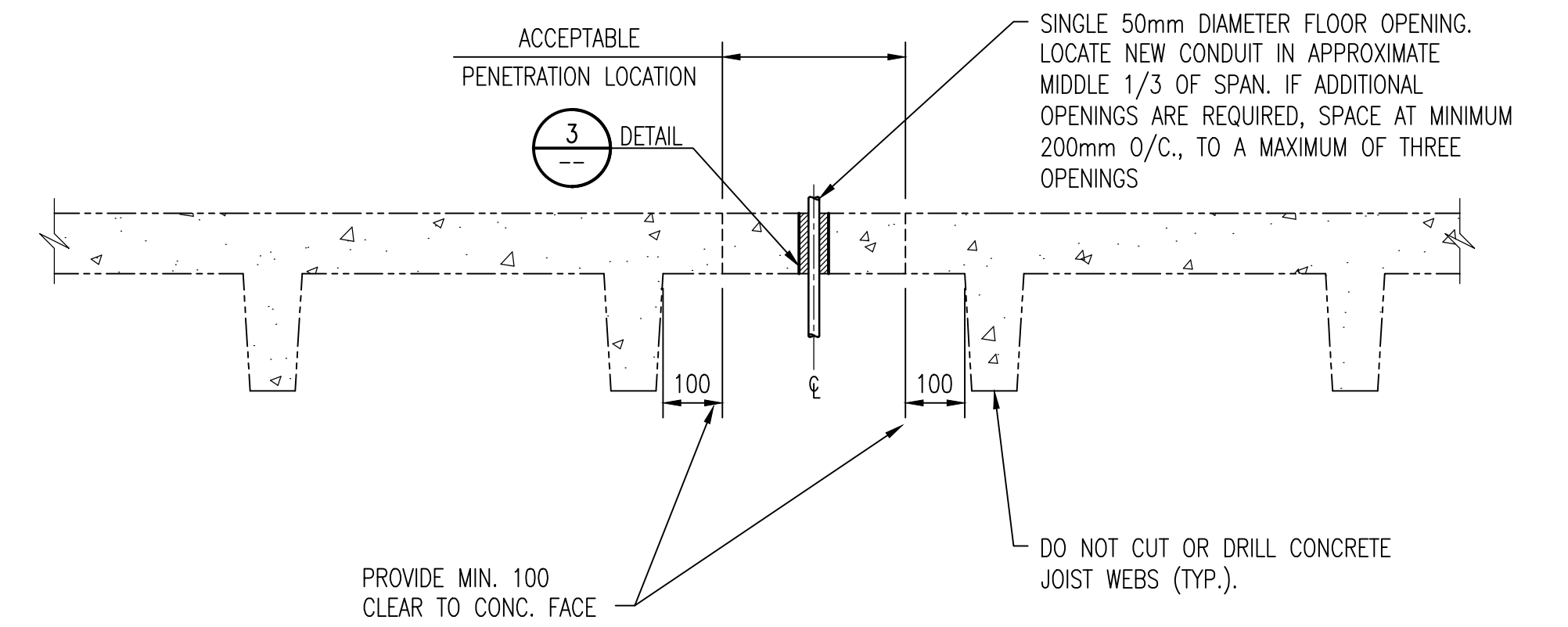
3 DETAIL - REINFORCED CONCRETE FLOORS - ALUMINUM CONDUIT
SCALE: 1:5



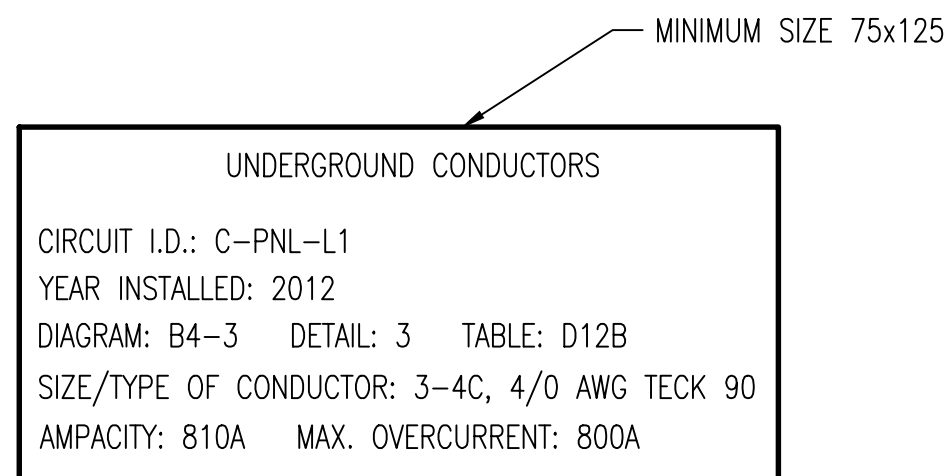
4 DETAIL: TRENCH LAYOUT
SCALE: 1 : 10



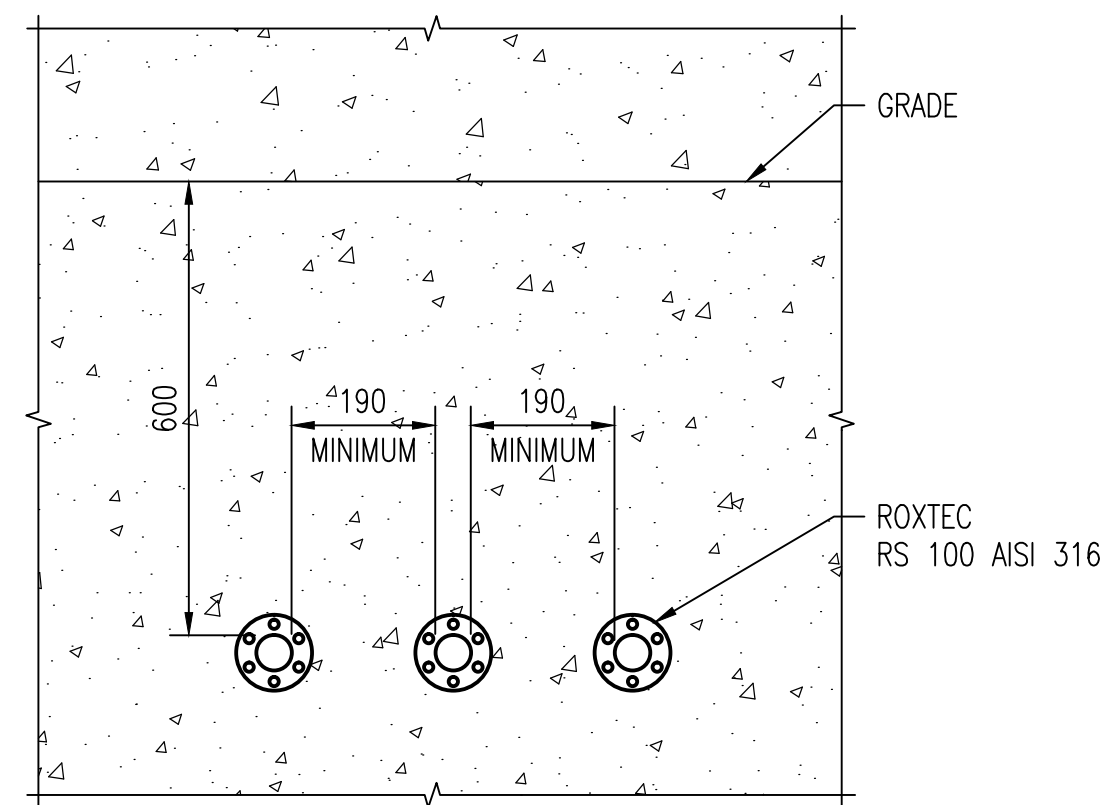
5 DETAIL - REINFORCED CONCRETE FLOORS - PVC CONDUIT
SCALE: 1:5



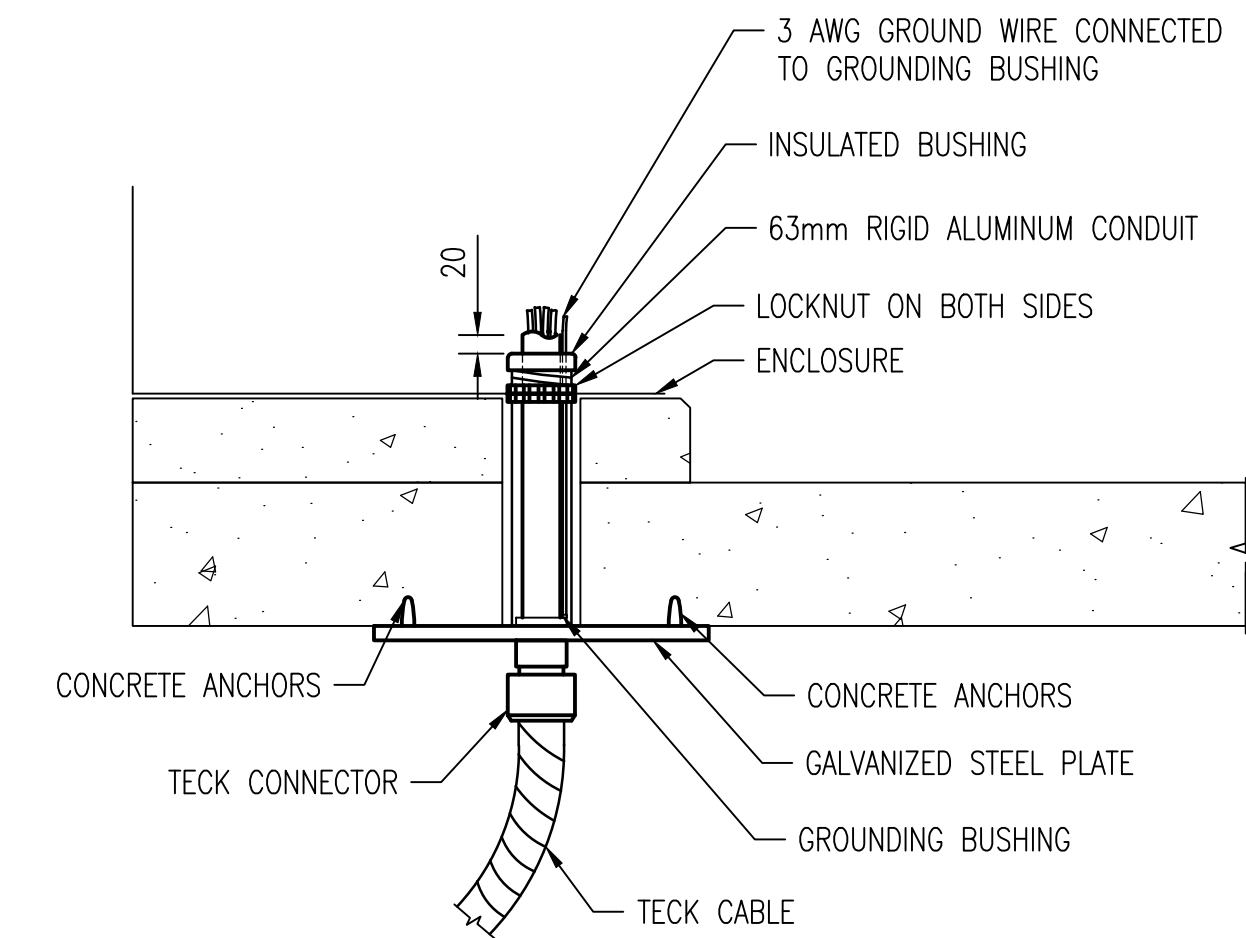
6 CONCRETE JOIST FLOORS
SCALE: 1:10



7 DETAIL: C-PNL-L1 LAMACOID
SCALE: NTS



8 DETAIL: SERVICE CABLES SEAL INSTALLATION
SCALE: 1 : 10



9 DETAIL: PNL-L1 CABLE ENTRY
SCALE: N.T.S.



NO.	REVISIONS	DATE	DESIGN	CHECK
00	ISSUED FOR TENDER, BID OPP. 907-2011	2012/02/09	VE	CJR

		SNC-LAVALIN INC. 148 Nature Park Way Winnipeg, MB, Canada R3P 0X7 204-786-8080	
DESIGNED BY:	V. ELIMBAN	CHECKED BY:	C. REIMER
DRAWN BY:	M.J. PERSSON	APPROVED BY:	C. REIMER
SCALE:	AS NOTED	RELEASED FOR CONSTRUCTION BY:	K. R. ZUREK
DATE:	2011/10/19	DATE:	2012/02/23
CONSULTANT NO.:	508042-0000-47DD-0029		

ENGINEER'S SEAL
ORIGINAL DRAWING
SEALED BY:
C. J. REIMER
SNC-LAVALIN
MEMBER #21968
2012/02/23
REV. 00

THE CITY OF WINNIPEG WATER AND WASTE DEPARTMENT			
MONTCALM WASTEWATER PUMPING STATION 2011 UPGRADES ELECTRICAL DETAILS			
CITY DRAWING NUMBER	SHEET	REV.	SIZE
1-0164L-E0029	001	00	A1