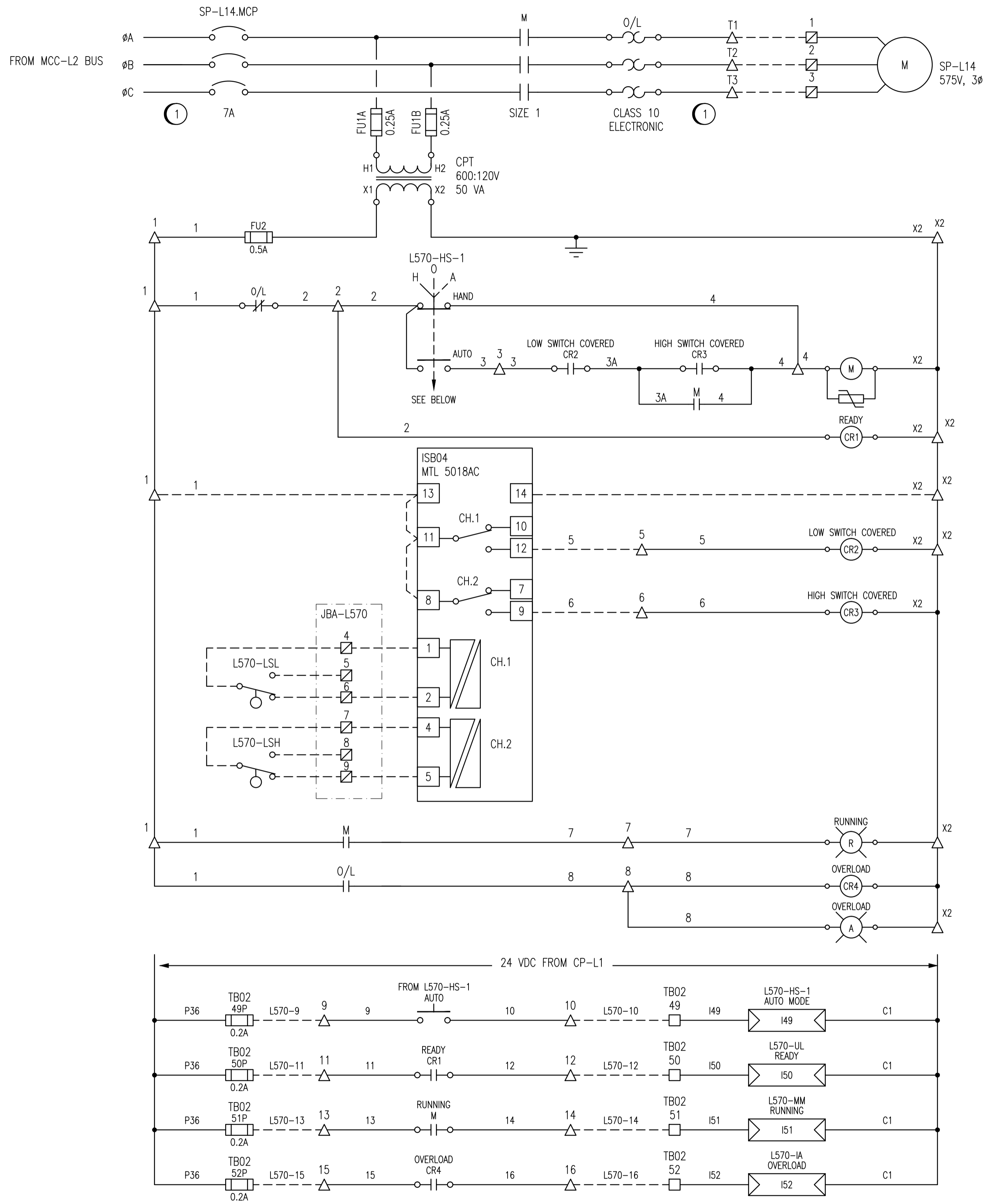
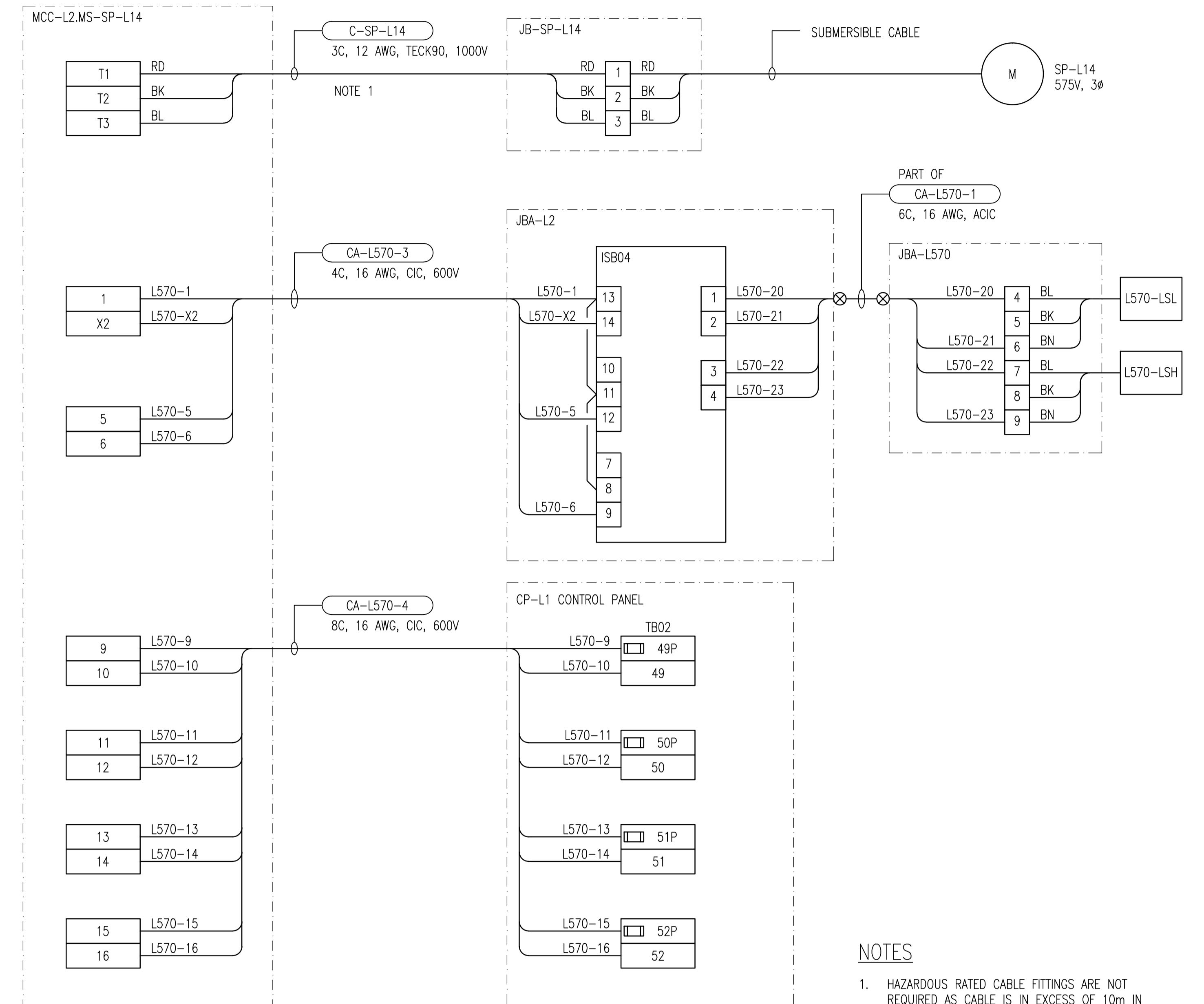


ELEMENTARY DIAGRAM:



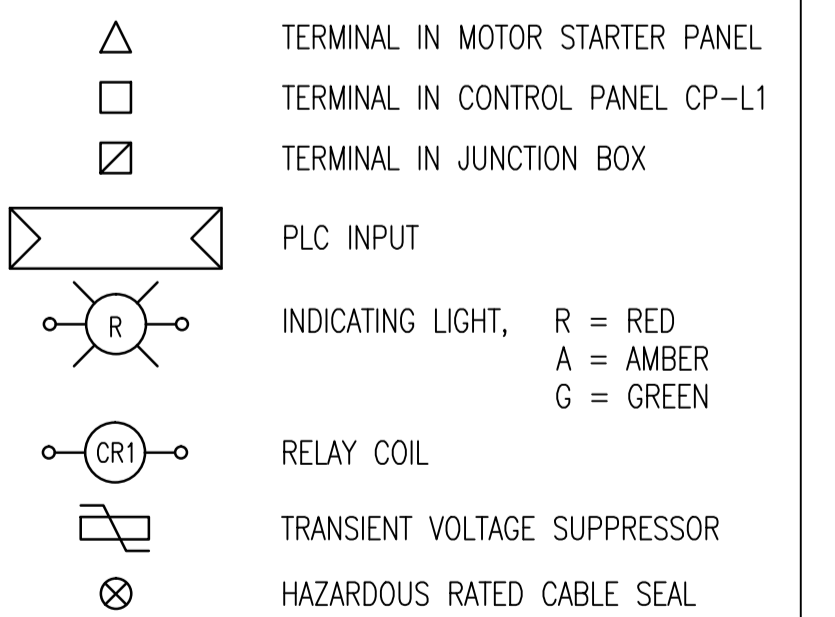
CONNECTION DIAGRAM:



NOTES

- HAZARDOUS RATED CABLE FITTINGS ARE NOT REQUIRED AS CABLE IS IN EXCESS OF 10m IN LENGTH.

LEGEND:



MTL 5018 AC	
V _i	10.5 VDC
I _i	14 mA
P _i	0.04 mW
C _a	2410 nF
L _o	175 mH

ASSUMED CABLE VALUES	
C	0.197 nF/m
L	0.66 µH/m

FLYGT ENM-10	
V _{max}	30 VDC
I _{max}	100 mA
P _{max}	1200 mW
C _i	1.6 nF
L _i	11.6 µH

CONSTRUCTION NOTES:

- CONFIRM MCP AND OVERLOAD RATING ARE APPROPRIATE FOR ACTUAL MOTOR SIZE.



<p>SNC-Lavalin Inc. 148 Nature Park Way Winnipeg, MB, Canada R3P 0X7 204-786-8080</p>		<p>ENGINEER'S SEAL</p>
<p>DESIGNED BY: V. ELIMBAN</p> <p>DRAWN BY: M.J. PERSSON</p> <p>SCALE: NTS</p> <p>DATE: 2010/10/17</p> <p>CONSULTANT NO.: 508042-0000-47DD-0027</p>	<p>CHECKED BY: C. REIMER</p> <p>APPROVED BY: C. REIMER</p> <p>RELEASED FOR CONSTRUCTION BY: K. R. ZUREK</p> <p>DATE: 2012/02/23</p>	<p>ORIGINAL DRAWING SEALED BY: C. J. REIMER</p> <p>SNC-Lavalin MEMBER #21968</p> <p>2012/02/23 REV. 00</p>
<p>THE CITY OF WINNIPEG WATER AND WASTE DEPARTMENT</p> <p>MONTCALM WASTEWATER PUMPING STATION 2011 UPGRADES MOTOR STARTER SCHEMATIC MS-SP-L14 FLOWMETER CHAMBER SUMP PUMP</p>		
<p>1-0164L-AD013</p> <p>DRAWING NUMBER</p>	<p>INTRINSICALLY SAFE AREA JUNCTION BOX</p> <p>REFERENCE DRAWINGS</p>	<p>CITY DRAWING NUMBER: 1-0164L-E0027</p> <p>SHEET: 001</p> <p>REV.: 00</p> <p>SIZE: A1</p>