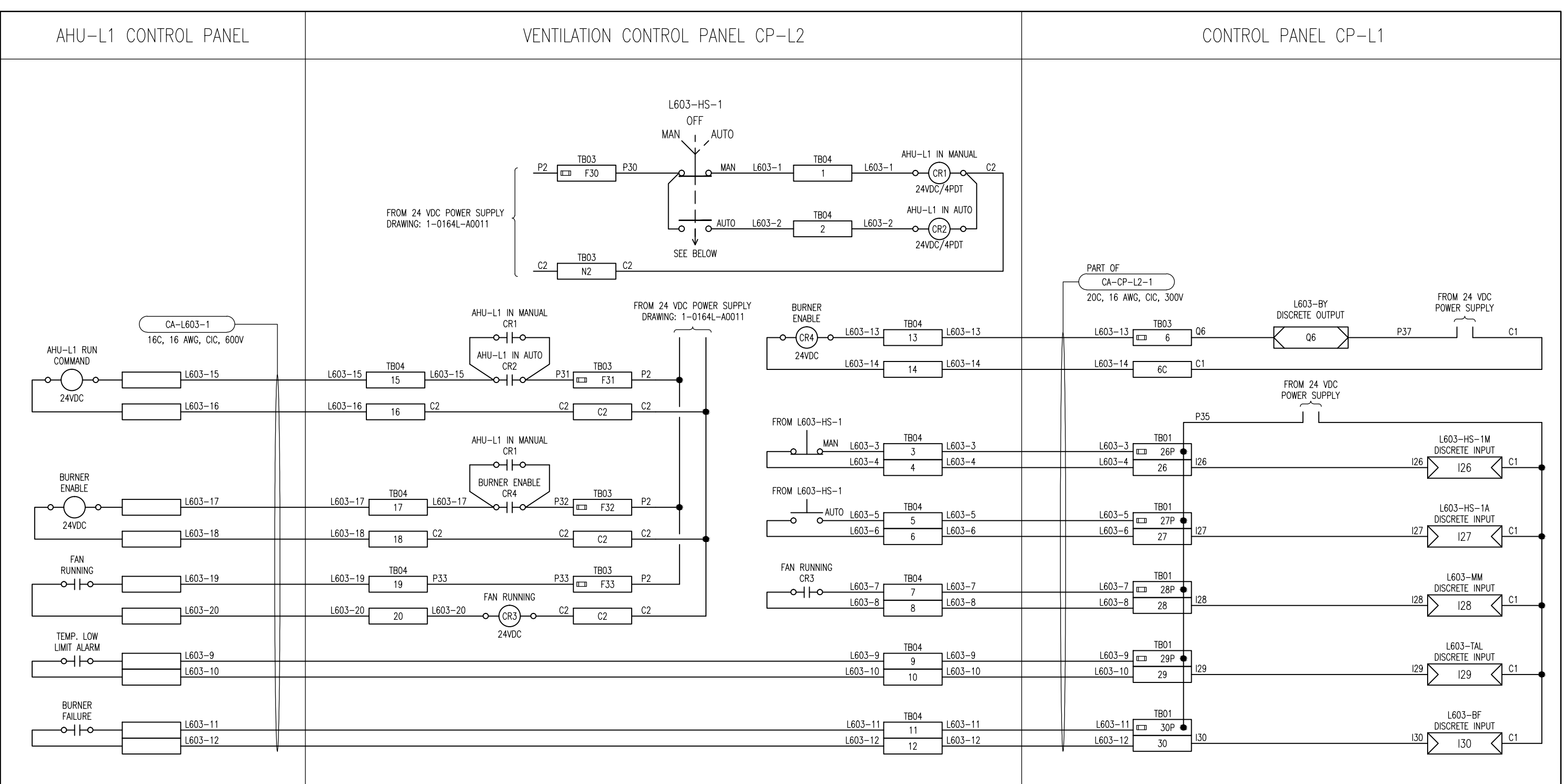


LAST SAVE: 2012/02/24 - 7:45am  
 PATH: M:\508042\4ENG\48&C\DD - General DWG\1-0164L-A0045-001-00.dwg  
 B SIZE - 279mm x 432mm



**NOTES**

- SEE DRAWINGS:  
1-0164L-A0043  
1-0164L-A0046

**APECM**  
Certificate of Authorization  
SNC-Lavalin Inc.  
No. 4489

<b>SNC-LAVALIN INC.</b> 148 Nature Park Way Winnipeg, MB, Canada R3P 0X7 204-786-8080				
DESIGNED BY:	B. CLEVEN	CHECKED BY:	C. REIMER	
DRAWN BY:	B. CLEVEN	APPROVED BY:	C. REIMER	
SCALE:	NTS	DATE:	2011/10/18	
RELEASED FOR CONSTRUCTION BY:	K. R. ZUREK	DATE:	2012/02/23	
CONSULTANT NO.:	508042-0000-48DD-0045			
NO.	ISSUED FOR TENDER, BID OPP. 907-2011	DATE	DESIGN	CHECK
00		2012/02/09	BC	CJR

ENGINEER'S SEAL

ORIGINAL DRAWING  
SEALED BY:  
C. J. REIMER  
SNC-LAVALIN  
MEMBER #21968  
2012/02/23  
REV. 00

**THE CITY OF WINNIPEG**  
WATER AND WASTE DEPARTMENT

MONTCALM WASTEWATER PUMPING STATION  
2011 UPGRADES  
LOOP DIAGRAM  
AHU-L1  
LOOP L603

CITY DRAWING NUMBER	SHEET	REV.	SIZE
1-0164L-A0045	001	00	B