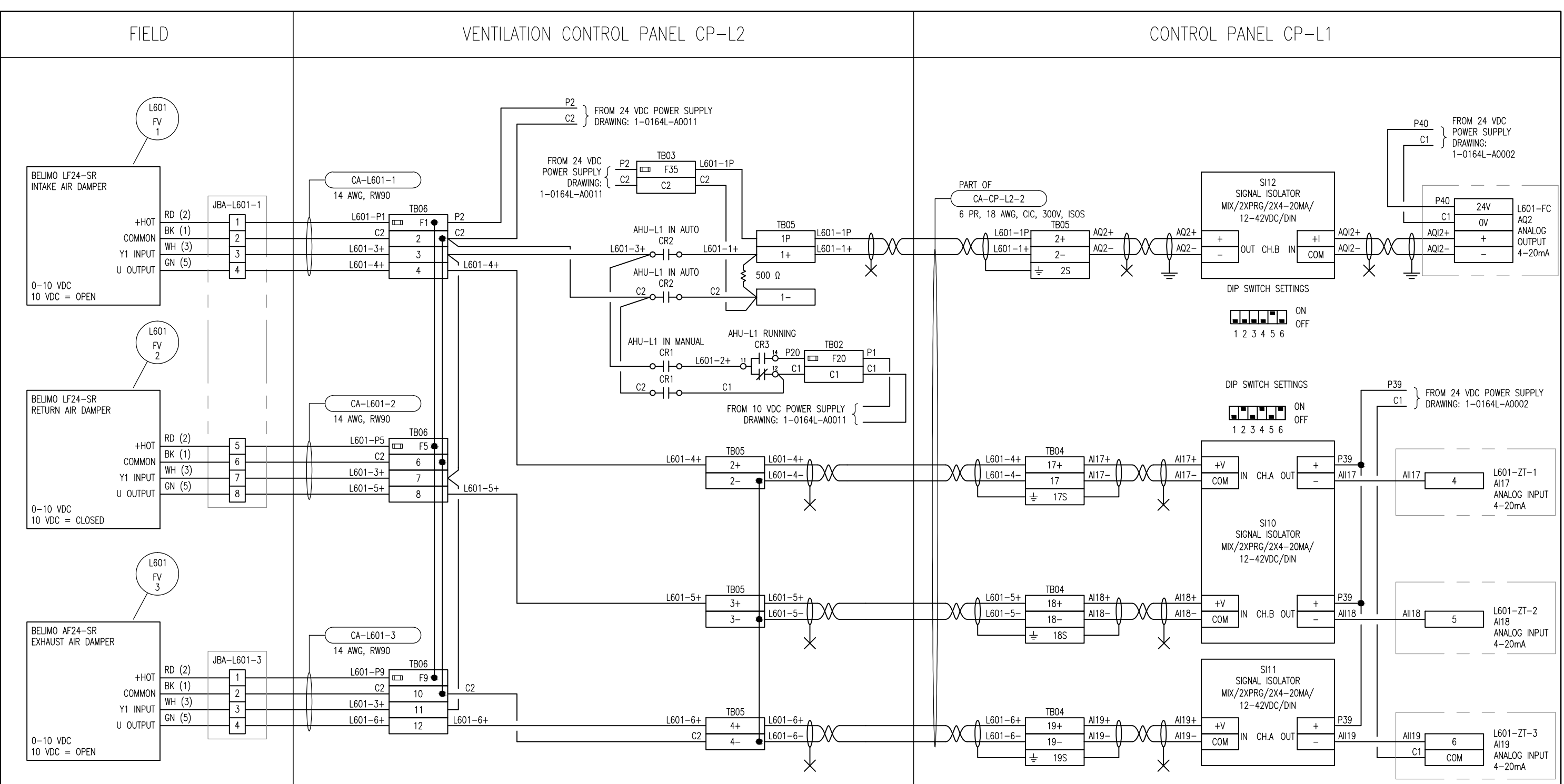


LAST SAVE: 2012/02/24 - 7:42am
 PATH: M:\508042\4ENG\48&C\DD - General DWG\1-0164L-A0043-001-00.dwg
 B SIZE - 279mm x 432mm



NOTES

- SEE DRAWINGS: 1-0164L-A0045
- FUSES F1, F5 AND F9 ARE RATED AT 1A EACH.

APEGN
Certificate of Authorization
SNC-Lavalin Inc.
No. 4489

SNC-LAVALIN INC. 148 Nature Park Way Winnipeg, MB, Canada R3P 0X7 204-786-8080				
DESIGNED BY:	B. CLEVEN	CHECKED BY:	C. REIMER	
DRAWN BY:	S. FUNK	APPROVED BY:	C. REIMER	
SCALE:	NTS	DATE:	2011/08/31	
RELEASED FOR CONSTRUCTION BY:	K. R. ZUREK	DATE:	2012/02/23	
CONSULTANT NO.:	508042-0000-48DD-0043			
NO.	ISSUED FOR TENDER, BID OPP. 907-2011	DATE	DESIGN	CHECK
00		2012/02/03	BC	CJR

ENGINEER'S SEAL

ORIGINAL DRAWING
SEALED BY:
C. J. REIMER
SNC-LAVALIN
MEMBER #21968
2012/02/23
REV. 00

THE CITY OF WINNIPEG
WATER AND WASTE DEPARTMENT

MONTCALM WASTEWATER PUMPING STATION
2011 UPGRADES
LOOP DIAGRAM
RECIRCULATION DAMPER CONTROL
L601

CITY DRAWING NUMBER	SHEET	REV.	SIZE
1-0164L-A0043	001	00	B