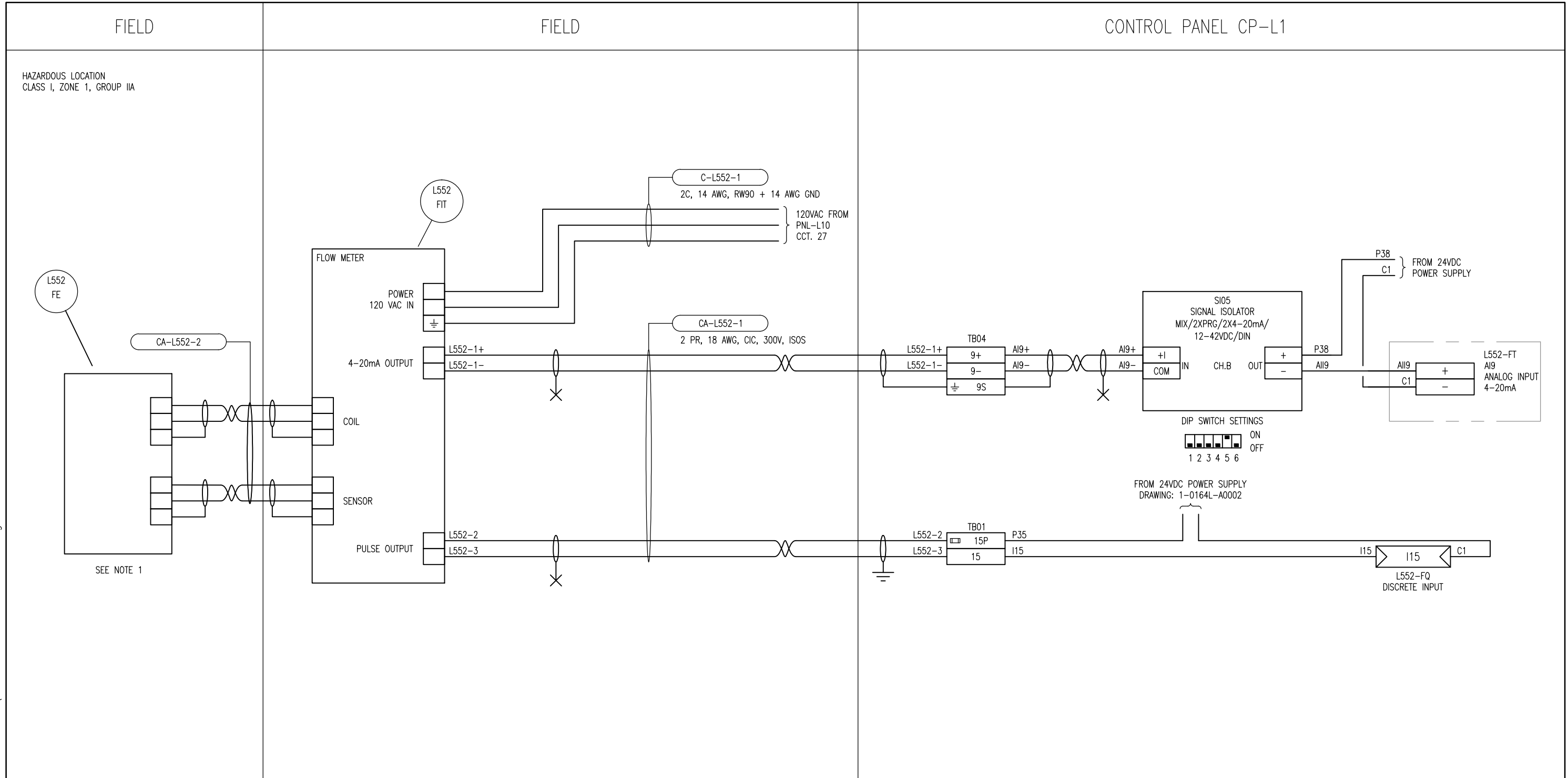


B SIZE - 279mm x 432mm

LAST SAVE: 2012/02/24 - 7:27am
 PATH: M:\508042\4ENG\48&C\DD - General DWG\1-0164L-A0033-001-00.dwg



NOTES

1. CABLE TO SENSOR L552-FE IS TO FULLY MEET MANUFACTURER SPECIFICATIONS AND BE ROUTED IN A DEDICATED RIGID ALUMINUM CONDUIT.

SEE NOTE 1

APECM
 Certificate of Authorization
 SNC-Lavalin Inc.
 No. 4489

NO.	REVISIONS	DATE	DESIGN	CHECK
00	ISSUED FOR TENDER, BID OPP. 907-2011	2011/11/04	VE	CJR

SNC-LAVALIN INC.
 148 Nature Park Way
 Winnipeg, MB, Canada R3P 0X7
 204-786-8080

DESIGNED BY: V. ELIMBAN
 CHECKED BY: C. REIMER

DRAWN BY: S. FUNK
 APPROVED BY: C. REIMER

SCALE: NTS
 DATE: 2011/08/31

RELEASED FOR CONSTRUCTION
 BY: K. R. ZUREK
 DATE: 2012/02/23

CONSULTANT NO.: 508042-0000-48DD-0033

ENGINEER'S SEAL

ORIGINAL DRAWING
 SEALED BY:
 C. J. REIMER
 SNC-LAVALIN
 MEMBER #21968
 2012/02/23
 REV. 00

THE CITY OF WINNIPEG
 WATER AND WASTE DEPARTMENT

MONTCALM WASTEWATER PUMPING STATION
 2011 UPGRADES
 LOOP DIAGRAM
 NORTH FORCEMAIN FLOW METER
 L552-FIT

CITY DRAWING NUMBER	SHEET	REV.	SIZE
1-0164L-A0033	001	00	B