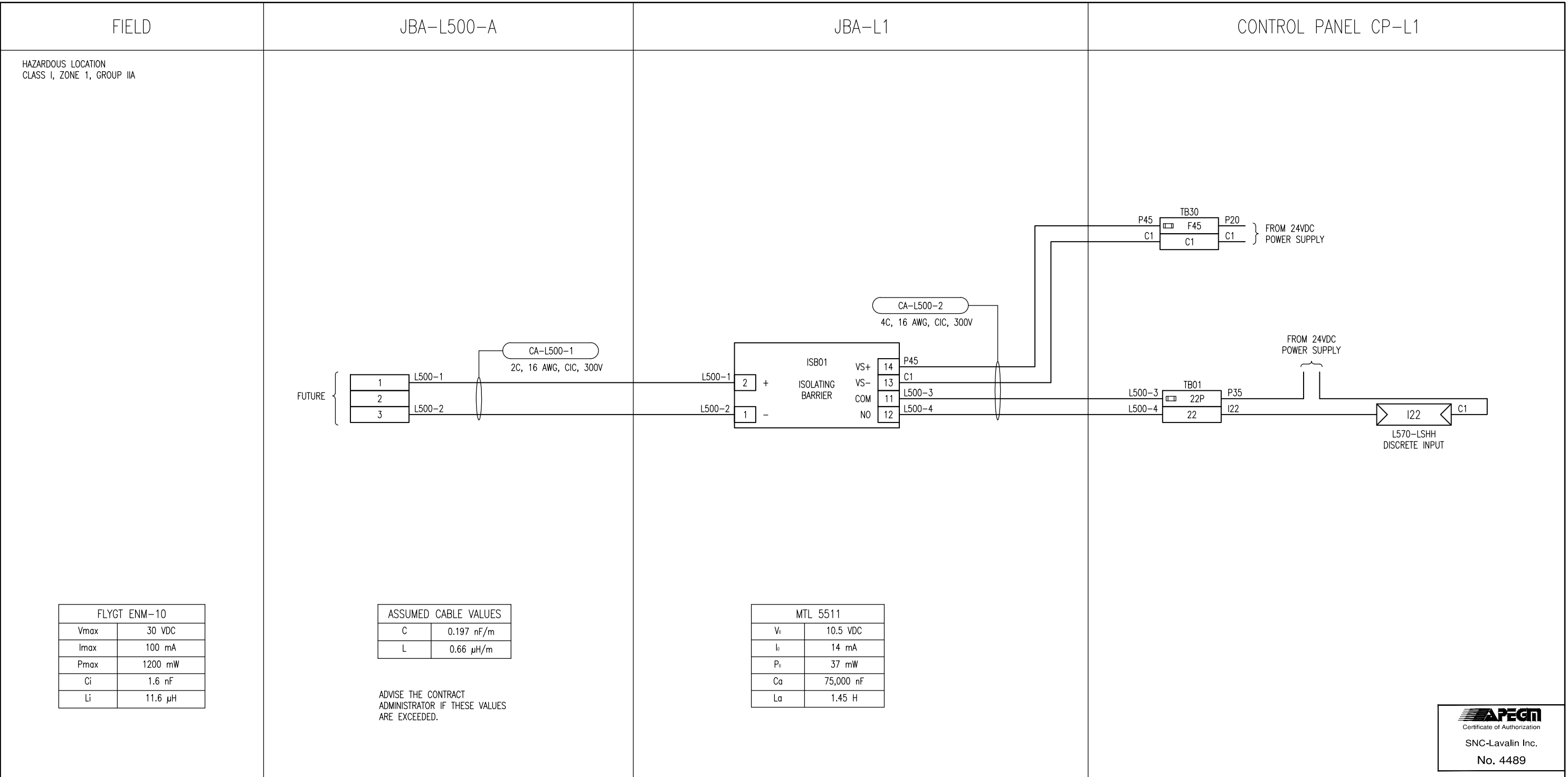


LAST SAVE: 2012/02/23 - 3:56pm
 PATH: M:\508042\4ENG\48&C\DD - General DWG\1-0164L-A0032-001-00.dwg
 B SIZE - 279mm x 432mm



- NOTES**
- THE MAXIMUM CABLE VALUES BETWEEN THE LEVEL SWITCH AND BARRIER ARE:
C: 74,998 μH
L: 1.449 H
 - DC POWER SUPPLY LOAD: 25 mA.
 - PROVIDE LABELING TO IDENTIFY INTRINSICALLY SAFE WIRING.
 - THE INSTALLATION IS TO BE IN ACCORDANCE WITH CSA 22.1-2009 SECTION 18 AND ISA RP12.06.01-2003.
 - THE FLYGT ENM-10 ENTITY PARAMETERS ARE ASSUMED TO INCLUDE AN INTEGRAL CABLE ASSEMBLY UP TO 6 m LONG.

00	ISSUED FOR TENDER, BID OPP. 907-2011	2011/11/04	VE	CJR
NO.	REVISIONS	DATE	DESIGN	CHECK

SNC-LAVALIN INC.
 148 Nature Park Way
 Winnipeg, MB, Canada R3P 0X7
 204-786-8080

DESIGNED BY: V. ELIMBAN
 CHECKED BY: C. REIMER

DRAWN BY: S. FUNK
 APPROVED BY: C. REIMER

SCALE: NTS
 DATE: 2011/10/25

RELEASED FOR CONSTRUCTION
 BY: K. R. ZUREK
 DATE: 2012/02/23

CONSULTANT NO.: 508042-0000-48DD-0032

ENGINEER'S SEAL

ORIGINAL DRAWING
 SEALED BY:
 C. J. REIMER
 SNC-LAVALIN
 MEMBER #21968
 2012/02/23
 REV. 00

THE CITY OF WINNIPEG
 WATER AND WASTE DEPARTMENT

Winnipeg logo

MONTCALM WASTEWATER PUMPING STATION
 2011 UPGRADES
 LOOP DIAGRAM
 WET WELL HIGH LEVEL SWITCH
 L500-LSH

CITY DRAWING NUMBER	SHEET	REV.	SIZE
1-0164L-A0032	001	00	B