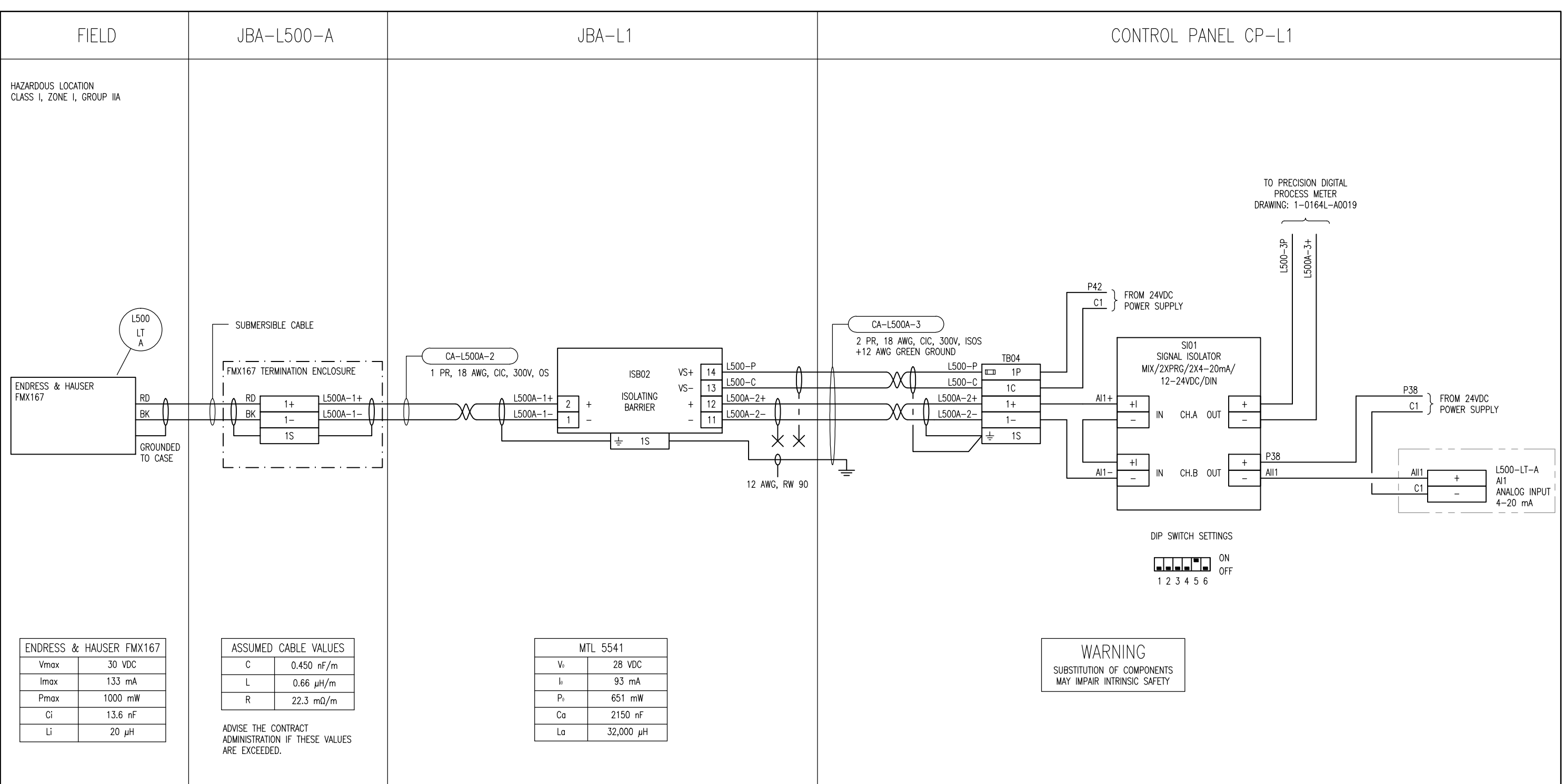


LAST SAVE: 2012/02/23 - 3:53pm
 PATH: M:\508042\4ENG\48&C\DD - General DWG\1-0164L-A0030-001-00.dwg
 B SIZE - 279mm x 432mm

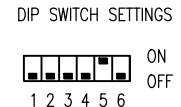


ENDRESS & HAUSER FMX167	
V _{max}	30 VDC
I _{max}	133 mA
P _{max}	1000 mW
C _i	13.6 nF
L _i	20 μH

ASSUMED CABLE VALUES	
C	0.450 nF/m
L	0.66 μH/m
R	22.3 mΩ/m

ADVISE THE CONTRACT ADMINISTRATION IF THESE VALUES ARE EXCEEDED.

MTL 5541	
V ₀	28 VDC
I ₀	93 mA
P ₀	651 mW
C _a	2150 nF
L _a	32,000 μH



WARNING
SUBSTITUTION OF COMPONENTS
MAY IMPAIR INTRINSIC SAFETY

NOTES

- THE MAXIMUM CABLE VALUES BETWEEN THE LEVEL SENSOR AND BARRIER ARE:
C: 2136 nF
L: 31,980 mH
- DC POWER SUPPLY LOAD: 51 mA @ 24 VDC.
- PROVIDE LABELING TO IDENTIFY INTRINSICALLY SAFE WIRING.
- THE INSTALLATION IS TO BE IN ACCORDANCE WITH CSA 22.1-2009 SECTION 18 AND ISA RP12.06.01-2003.
- THE ENDRESS & HAUSER FMX167 C_i AND L_i VALUES ARE BASED ON A 20m SENSOR CABLE WITH C_i = 180 pF/m AND L_i = 1 μH/m.



00	ISSUED FOR TENDER, BID OPP. 907-2011	2011/11/04	BC	CJR
NO.	REVISIONS	DATE	DESIGN	CHECK

SNC-LAVALIN INC.
148 Nature Park Way
Winnipeg, MB, Canada R3P 0X7
204-786-8080

DESIGNED BY: B. CLEVEN	CHECKED BY: C. REIMER
DRAWN BY: S. FUNK	APPROVED BY: C. REIMER
SCALE: NTS	DATE: 2011/10/11
RELEASED FOR CONSTRUCTION BY: K. R. ZUREK	DATE: 2012/02/23
CONSULTANT NO.: 508042-0000-48DD-0030	

ENGINEER'S SEAL

ORIGINAL DRAWING
SEALED BY:
C. J. REIMER
SNC-LAVALIN
MEMBER #21968
2012/02/23
REV. 00

THE CITY OF WINNIPEG
WATER AND WASTE DEPARTMENT

MONTCALM WASTEWATER PUMPING STATION
2011 UPGRADES
LOOP DIAGRAM
WET WELL SUBMERSIBLE LEVEL SENSOR
L500-LT-A

CITY DRAWING NUMBER	SHEET	REV.	SIZE
1-0164L-A0030	001	00	B