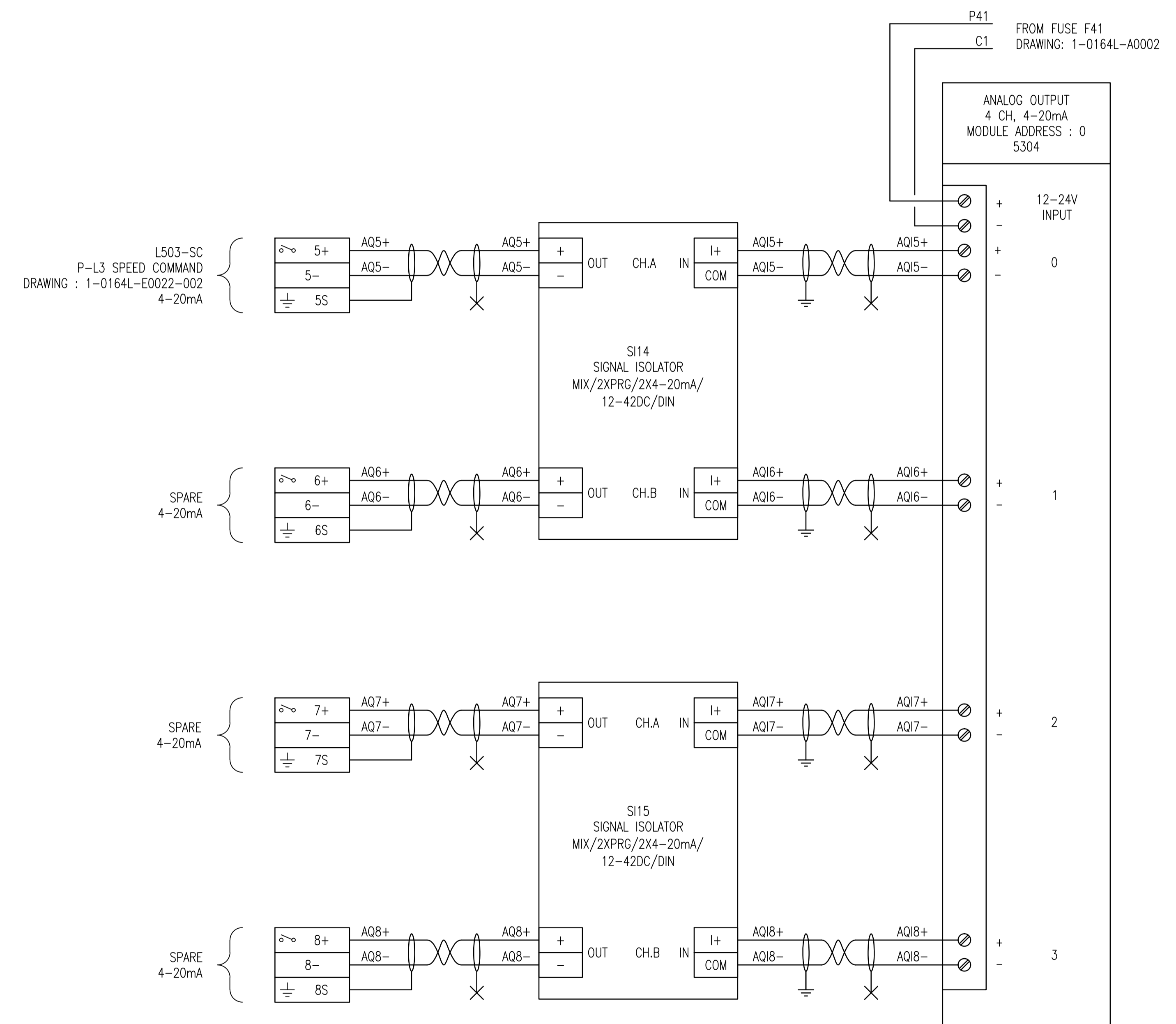
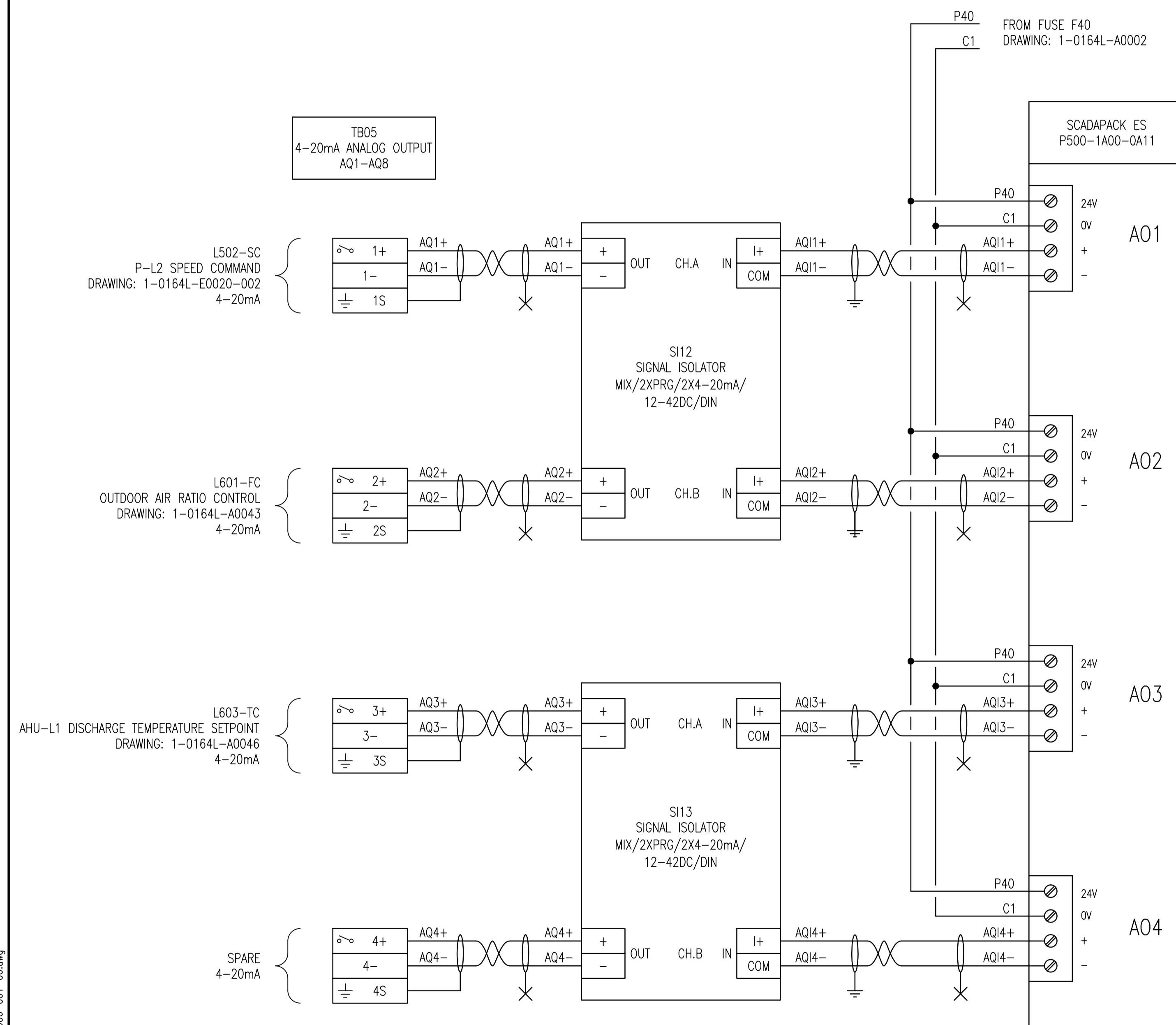


SIGNAL ISOLATOR SWITCH SETTINGS		
IDENTIFIER	CHANNEL A	CHANNEL B
SI12	4-20mA	4-20mA
SI13	4-20mA	4-20mA
SI14	4-20mA	4-20mA
SI15	4-20mA	4-20mA

5304 SWITCH SETTINGS	
 ON ← ← OFF	
SWITCH	DESCRIPTION
1-4	MODULE ADDRESS
5	CHANNEL 0 OFFSET
6	CHANNEL 1 OFFSET
7	CHANNEL 2 OFFSET
8	CHANNEL 3 OFFSET

5304 JUMPER CONFIGURATION	
J1, J3, J5, J7	I  V
J2, J4, J6, J8	5V / I  10V
J9, J10, J11, J12	CURRENT  VOLTAGE



NO.	REVISIONS	DATE	DESIGN	CHECK
00	ISSUED FOR TENDER, BID OPP. 907-2011	2012/02/09	BC	CJR

 <b>SNC-LAVALIN INC.</b> 148 Nature Park Way Winnipeg, MB, Canada R3P 0X7 204-798-8090	
DESIGNED BY: B. CLEVEN	CHECKED BY: C. REIMER
DRAWN BY: S. FUNK	APPROVED BY: C. REIMER
SCALE: NTS	RELEASED FOR CONSTRUCTION BY: K. R. ZUREK
DATE: 2011/08/31	DATE: 2012/02/23
CONSULTANT NO.: 508042-0000-48DD-0006	

ENGINEER'S SEAL  
 ORIGINAL DRAWING  
 SEALED BY:  
 C. J. REIMER  
 SNC-LAVALIN  
 MEMBER # 21968  
 2012/02/23  
 REV. 00

**THE CITY OF WINNIPEG**  
 WATER AND WASTE DEPARTMENT  
 MONTCALM WASTEWATER PUMPING STATION  
 2011 UPGRADES  
 RTU I/O WIRING DIAGRAM  
 CONTROL PANEL CP-L1  
 ANALOG OUTPUTS  
 CITY DRAWING NUMBER: 1-0164L-A0006  
 SHEET: 001 REV: 00 SIZE: A1