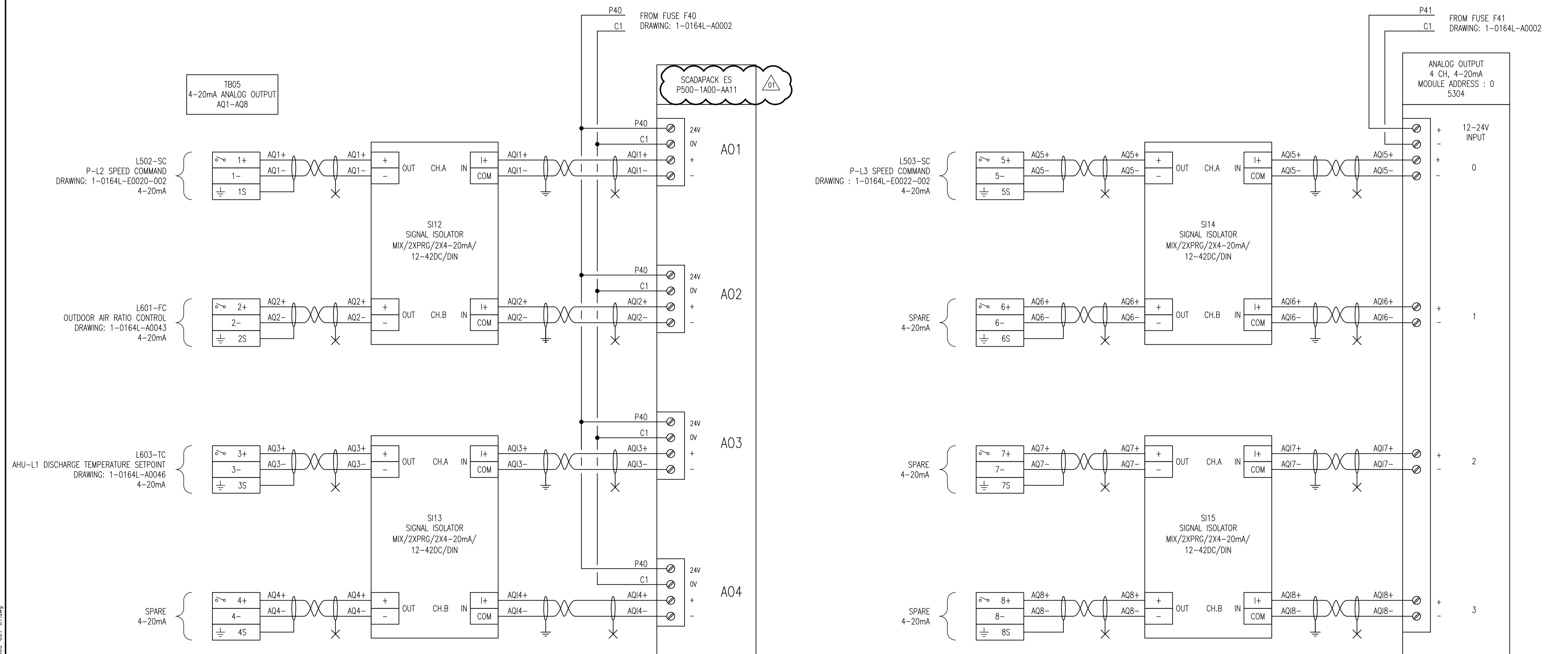


SIGNAL ISOLATOR SWITCH SETTINGS		
IDENTIFIER	CHANNEL A	CHANNEL B
SI12	4-20mA	4-20mA
SI13	4-20mA	4-20mA
SI14	4-20mA	4-20mA
SI15	4-20mA	4-20mA

5304 SWITCH SETTINGS	
8 4 2 1 0 1 2 3	ON
	OFF
1 2 3 4 5 6 7 8	
SWITCH	DESCRIPTION
1-4	MODULE ADDRESS
5	CHANNEL 0 OFFSET
6	CHANNEL 1 OFFSET
7	CHANNEL 2 OFFSET
8	CHANNEL 3 OFFSET

5304 JUMPER CONFIGURATION	
J1, J3, J5, J7	I  V
J2, J4, J6, J8	5V / I  10V
J9, J10, J11, J12	CURRENT  VOLTAGE



LAST SAVE: 2012/03/05 - 2:31pm  
 PATH: M:\508042\ENGL\48&C\DD - General\DWG\1-0164L-A0006-001-01.dwg

**APECM**  
 Certificate of Authorization  
**SNC-Lavalin Inc.**  
 No. 4489

NO.	REVISIONS	DATE	DESIGN	CHECK
01	REVISED SCADAPACK ES PART NUMBER	2012/03/05	BC	CJR
00	ISSUED FOR TENDER, BID OPP. 907-2011	2012/02/09	BC	CJR

**SNC-LAVALIN INC.**  
 148 Nature Park Way  
 Winnipeg, MB, Canada R3P 0X7  
 204-796-8090

DESIGNED BY: B. CLEVEN  
 CHECKED BY: C. REIMER  
 DRAWN BY: S. FUNK  
 APPROVED BY: C. REIMER  
 SCALE: NTS  
 RELEASED FOR CONSTRUCTION BY: K. R. ZUREK  
 DATE: 2011/08/31  
 DATE: 2012/02/23  
 CONSULTANT NO.: 508042-0000-48DD-0006

ENGINEER'S SEAL  
 ORIGINAL DRAWING  
 SEALED BY:  
 C. J. REIMER  
 SNC-LAVALIN  
 MEMBER # 21968  
 2012/02/23  
 REV. 00

**THE CITY OF WINNIPEG**  
 WATER AND WASTE DEPARTMENT

MONTCALM WASTEWATER PUMPING STATION  
 2011 UPGRADES  
 RTU I/O WIRING DIAGRAM  
 CONTROL PANEL CP-L1  
 ANALOG OUTPUTS

CITY DRAWING NUMBER: 1-0164L-A0006  
 SHEET: 001  
 REV: 01  
 SIZE: A1