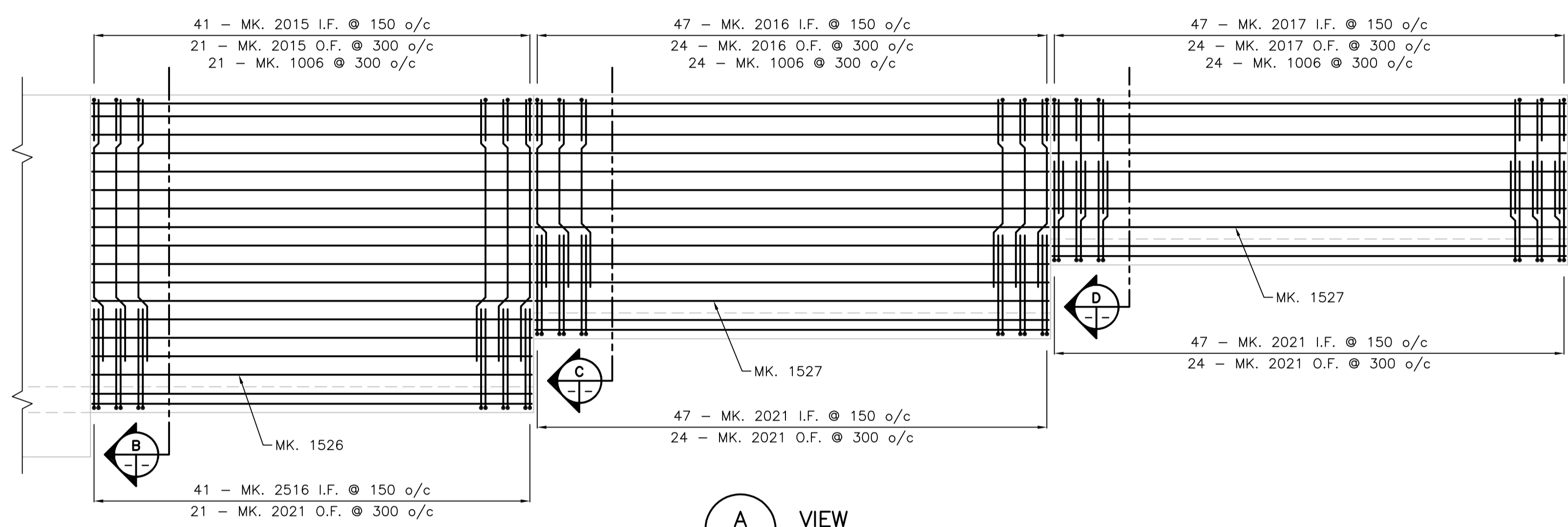
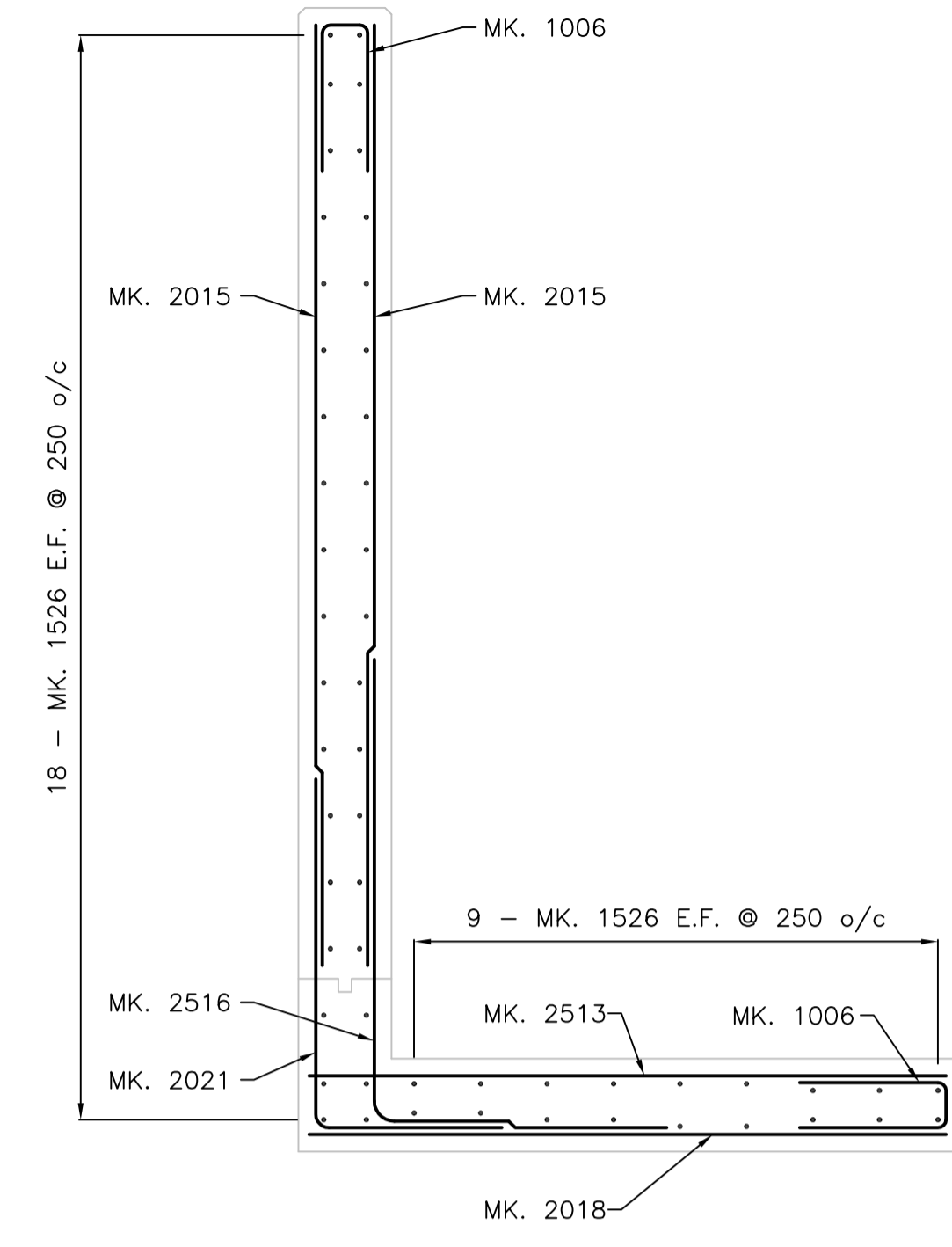


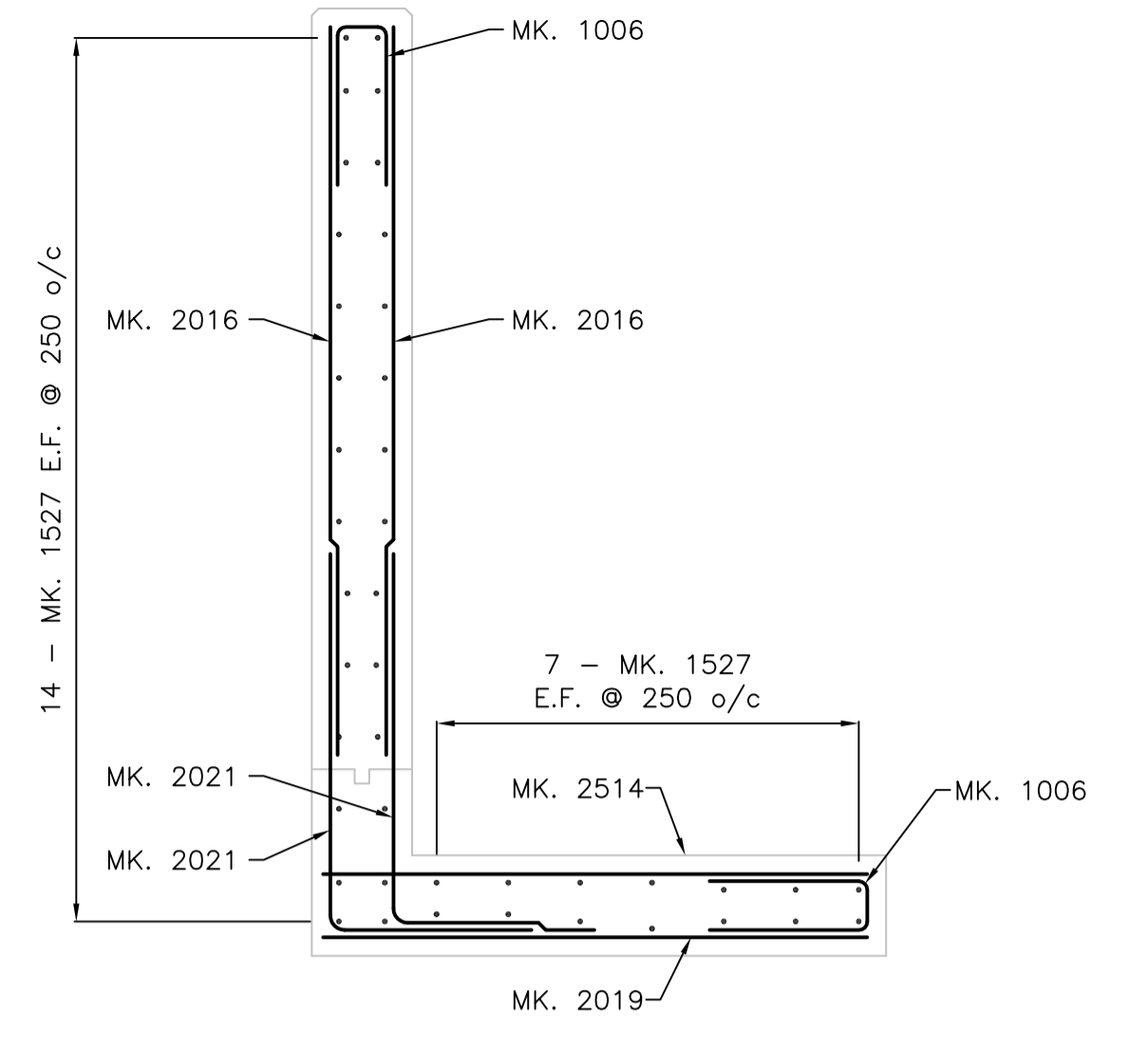
REINFORCING WALL PLAN



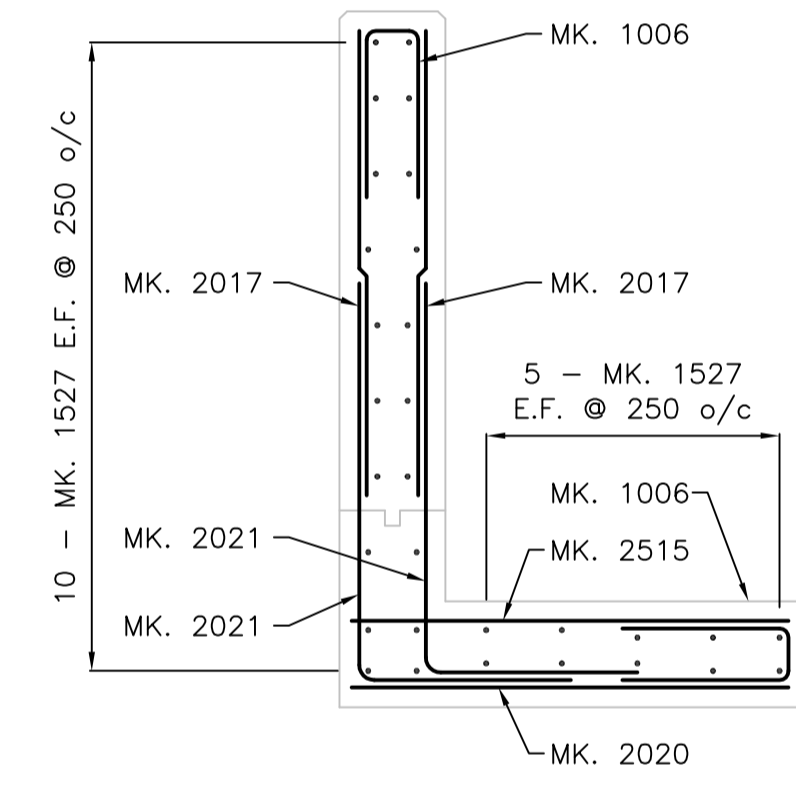
VIEW



SECTION B
1:25



SECTION C
1:25



SECTION D
1:25

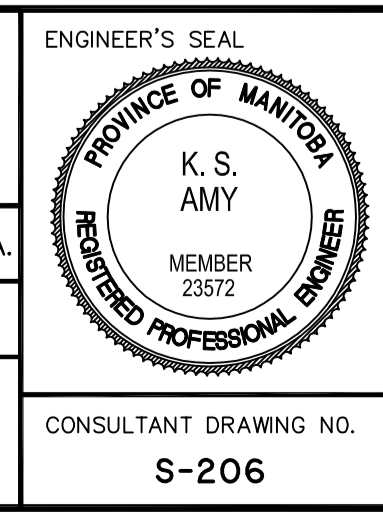
V:\1137\warp\11370480\warping\02_design\warp\02a\csl\0480p-107-727.dwg
2011-01-11 03:42PM By: jbaumgart



LOCATION APPROVED UNDERGROUND STRUCTURES			
SUPV. U/G STRUCTURES COMMITTEE	DATE		
NOTE: LOCATION OF UNDERGROUND STRUCTURES AS SHOWN ARE BASED ON THE BEST INFORMATION AVAILABLE BUT NO GUARANTEE IS GIVEN THAT ALL EXISTING UTILITIES ARE SHOWN OR THAT THE GIVEN LOCATIONS ARE EXACT. CONFIRMATION OF EXISTENCE AND EXACT LOCATION OF ALL SERVICES MUST BE OBTAINED FROM THE INDIVIDUAL UTILITIES BEFORE PROCEEDING WITH CONSTRUCTION.			
NO.	REVISIONS	DATE	BY
0	ISSUED FOR TENDER	11.07.15	K.S.A.

B.M. ELEV.	

Stantec Consulting Ltd. 905 Waverley Street, Winnipeg, Manitoba Tel 204-489-5900 Fax 204-453-9012	
DESIGNED BY: K.S.A.	CHECKED BY: V.M.M. / K.S.A.
DRAWN BY: J.M.B.	APPROVED BY: K.S.A.
HOR. SCALE: 1:50	RELEASED FOR CONSTRUCTION: DATE
VERTICAL: U.N.O.	DATE: 2010.01.04



THE CITY OF WINNIPEG PUBLIC WORKS DEPARTMENT ENGINEERING DIVISION	
WWARP PART I	
KENASTON BOULEVARD EXTENSION - N.B. LANES NORTH TOWN ROAD TO BISHOP GRANDIN BOULEVARD CONCRETE CULVERT EXTENSION REINFORCING DETAILS - SHEET 6 OF 6	
SHEET 56 OF 65	CAD FILE DRAWING NUMBER 04840s-206-727.dwg
CITY DRAWING NUMBER C375-II-18	