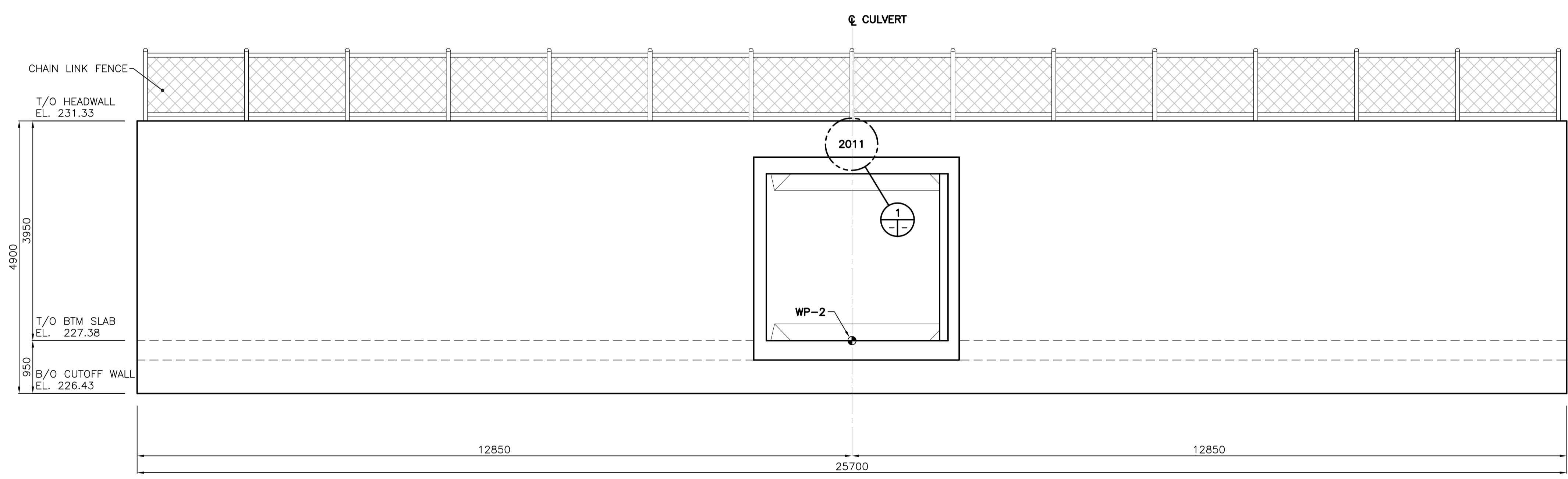
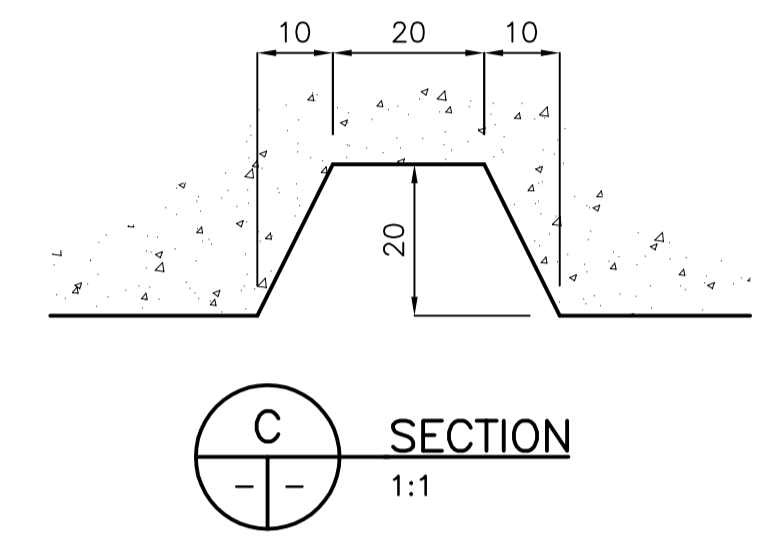
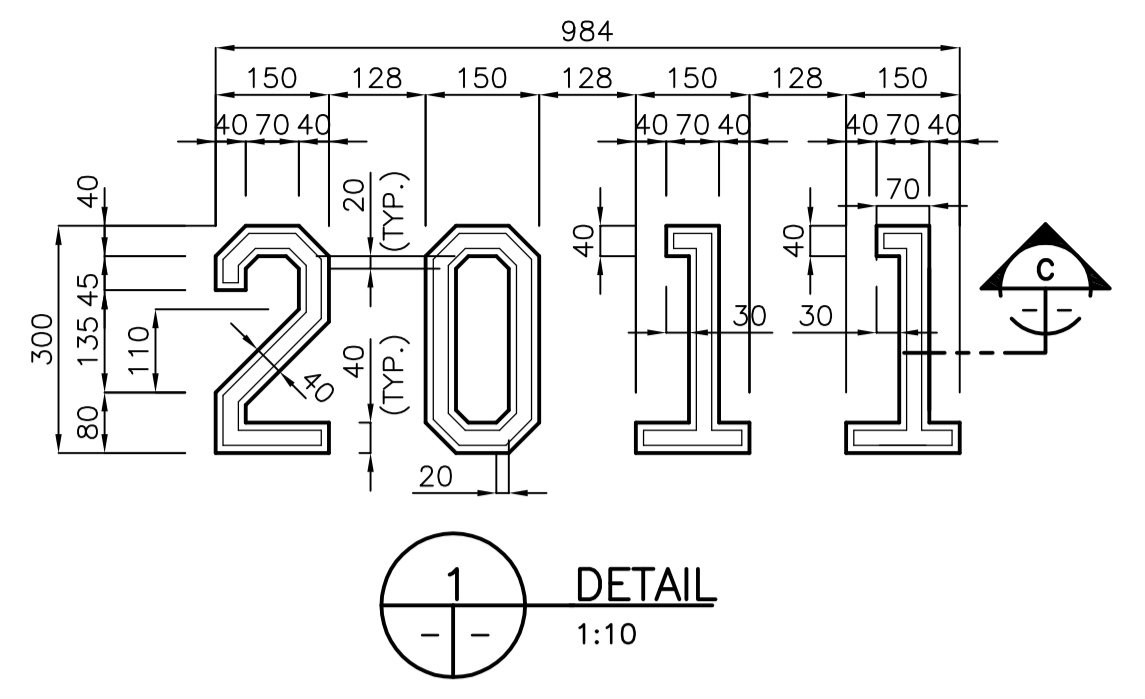


A VIEW
46 49



B VIEW
46 49

V:\1137\Drawings\113704648\Drawings\02_Design\Sheet\Sheet_files\Culvert_expanded\04840s-104-727.dwg
 Date: 2011 Jul 15 10:42am Login: GSA, TGA

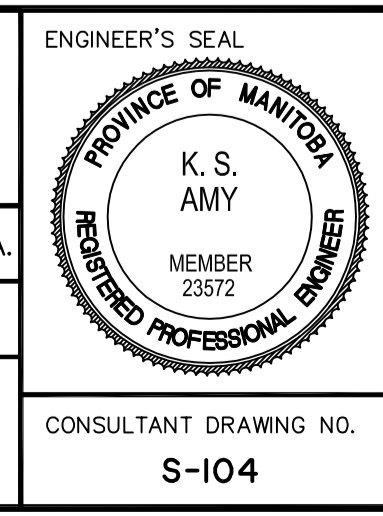


LOCATION APPROVED UNDERGROUND STRUCTURES			
SUPV. U/G STRUCTURES COMMITTEE	DATE		
NOTE: LOCATION OF UNDERGROUND STRUCTURES AS SHOWN ARE BASED ON THE BEST INFORMATION AVAILABLE BUT NO GUARANTEE IS GIVEN THAT ALL EXISTING UTILITIES ARE SHOWN OR THAT THE GIVEN LOCATIONS ARE EXACT. CONFIRMATION OF EXISTENCE AND EXACT LOCATION OF ALL SERVICES MUST BE OBTAINED FROM THE INDIVIDUAL UTILITIES BEFORE PROCEEDING WITH CONSTRUCTION.			
NO.	REVISIONS	DATE	BY
0	ISSUED FOR TENDER	11.07.15	K.S.A.

B.M. ELEV.			

Stantec Consulting Ltd.
 905 Waverley Street, Winnipeg, Manitoba
 Tel 204-489-5900 Fax 204-453-9012

DESIGNED BY: K.S.A.	CHECKED BY: V.M.M. / K.S.A.
DRAWN BY: J.M.B.	APPROVED BY: K.S.A.
HOR. SCALE: 1:50	RELEASED FOR CONSTRUCTION: _____
VERTICAL: U.N.O.	DATE: _____
DATE: 09.12.11	DATE: _____



THE CITY OF WINNIPEG
 PUBLIC WORKS DEPARTMENT
 ENGINEERING DIVISION

WWARP PART I
 KENASTON BOULEVARD EXTENSION - N.B. LANES
 NORTH TOWN ROAD TO BISHOP GRANDIN BOULEVARD
 CONCRETE ELEVATIONS & DETAILS
 CONCRETE CULVERT EXTENSION

CONSULTANT DRAWING NO. S-104

SHEET 49 OF 65
CAD FILE DRAWING NUMBER 04840s-104-727.dwg
CITY DRAWING NUMBER C375-II-II