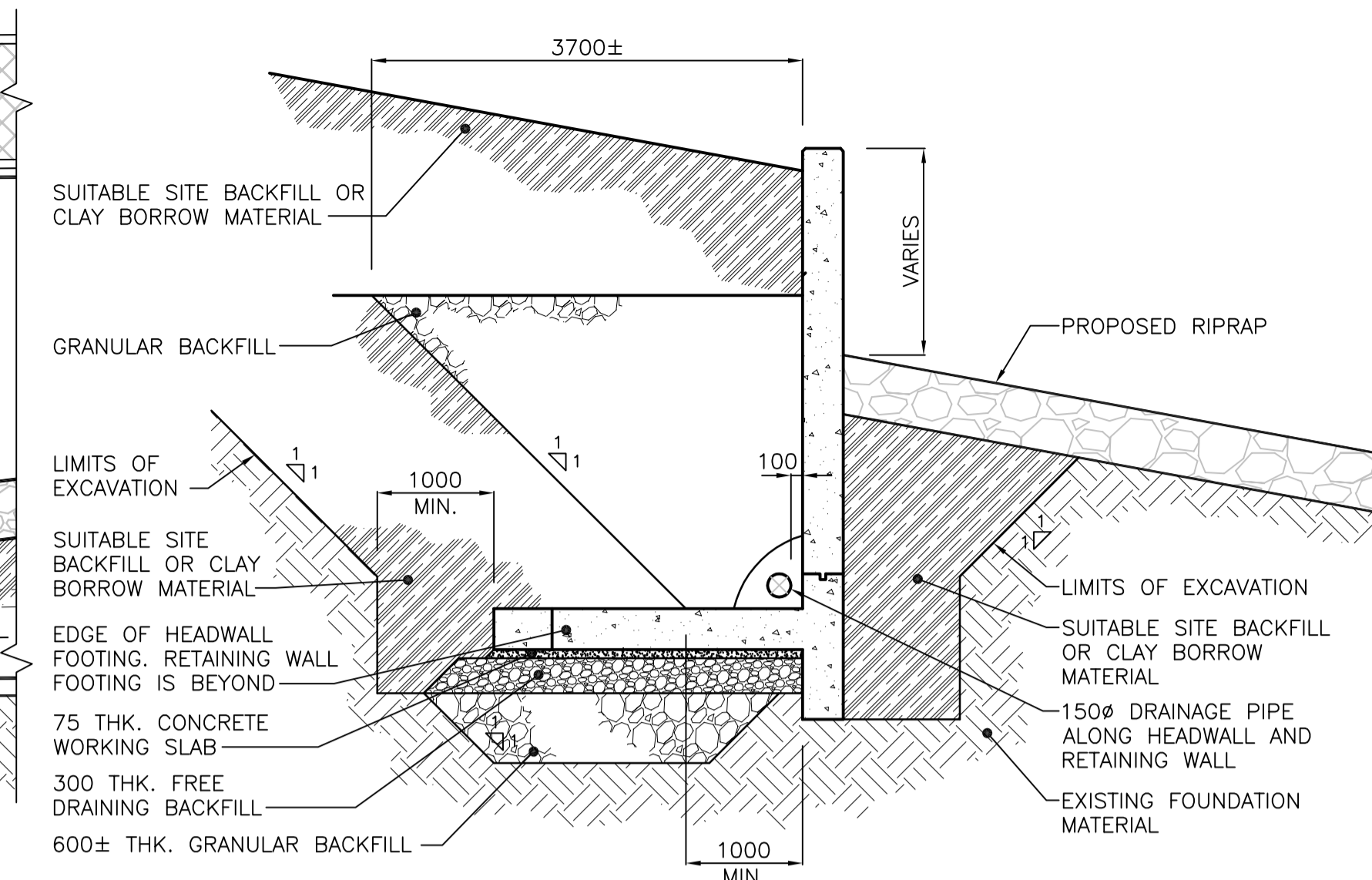
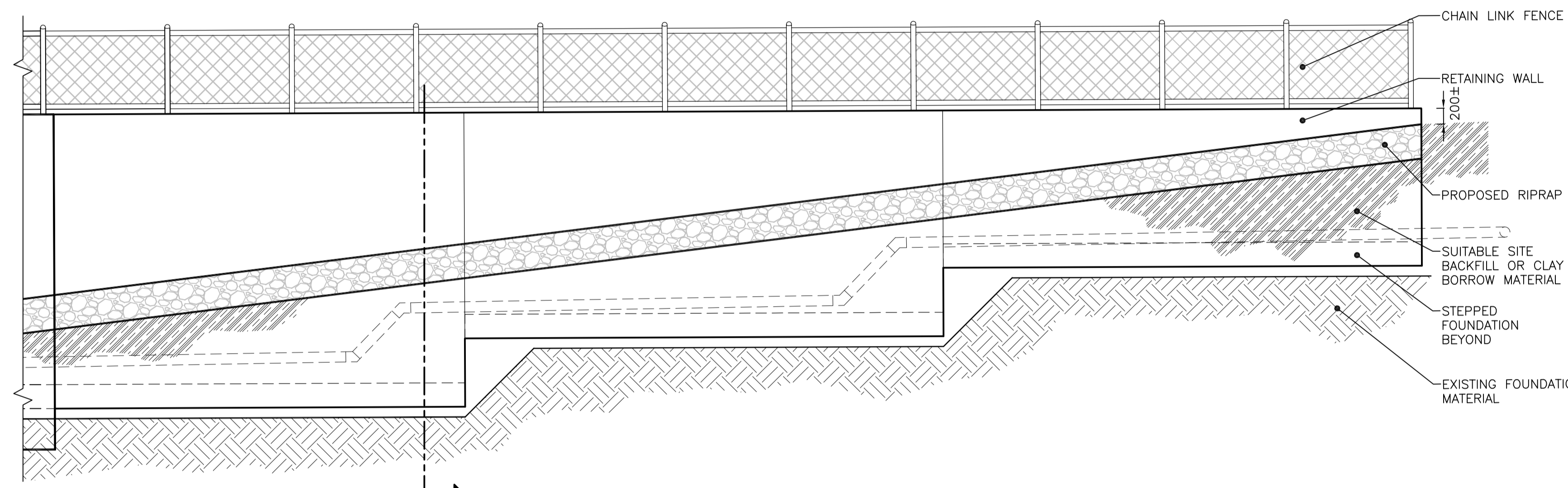


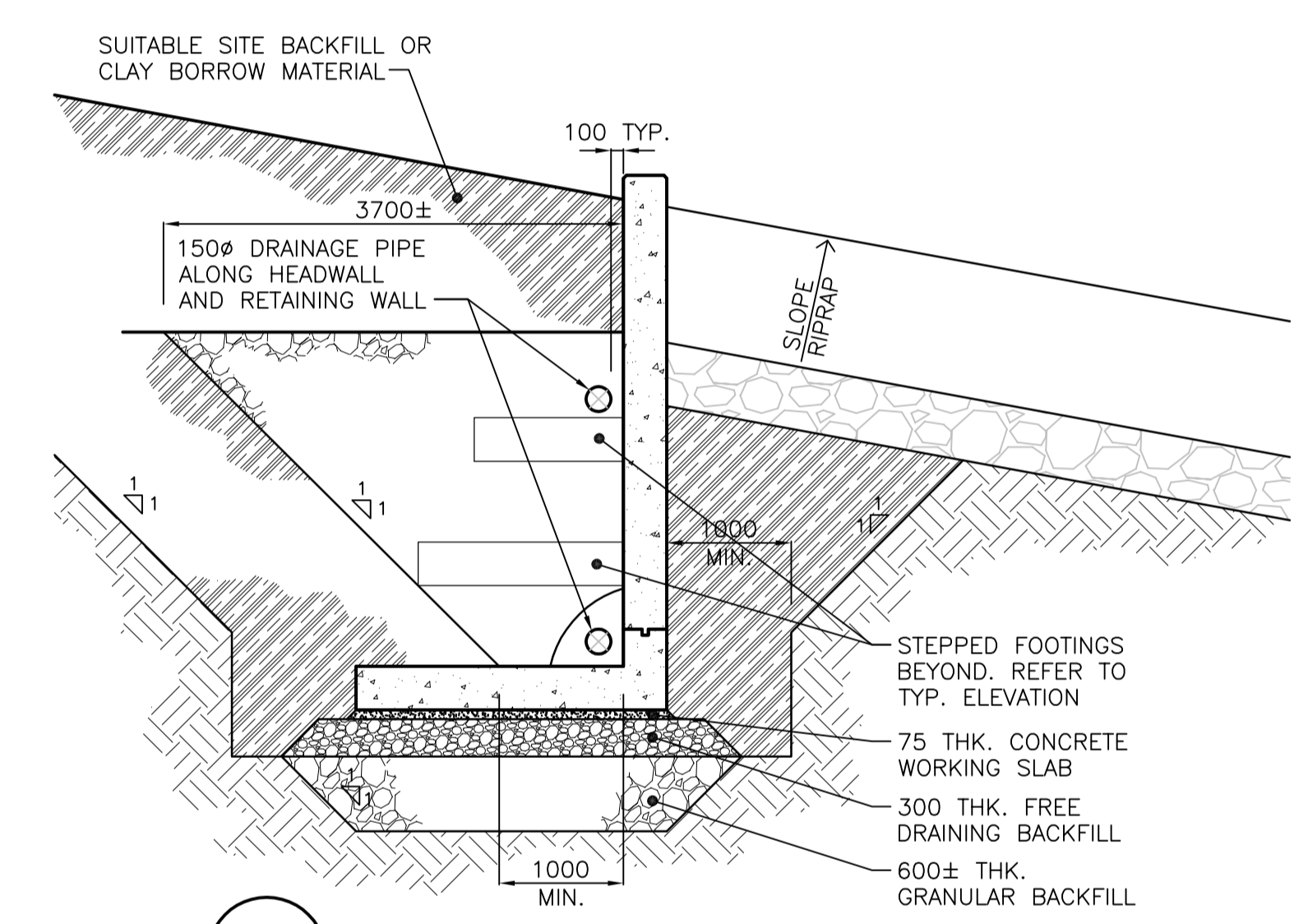
DETAIL OF OUTLET HEADWALL FILL



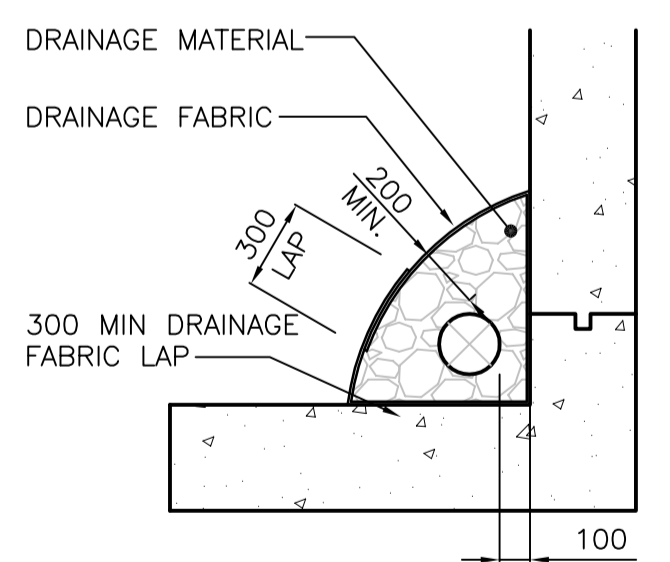
A HEADWALL SECTION



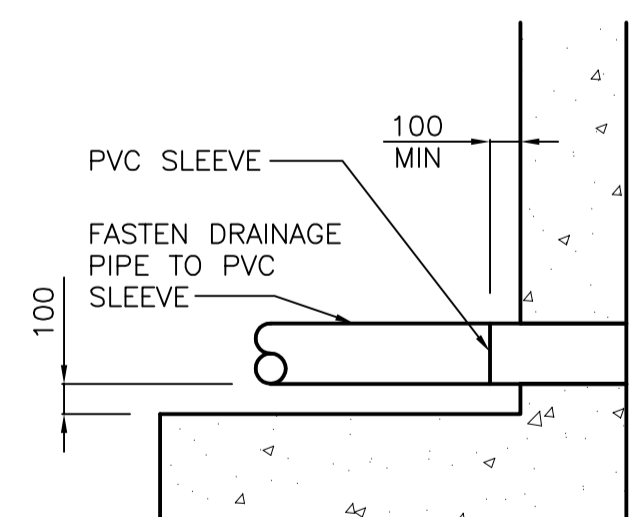
DETAIL OF RETAINING WALL FILL



B RETAINING WALL SECTION



TYPICAL DRAINAGE PIPE ARRANGEMENT DETAILS



TYPICAL PVC SLEEVE DETAILS

V:\1137\Drawings\113704648\Drawings\02\Design\Sheet_files\Culvert_expanded\04840s-107-727.dwg
 Date: 2011 Jul 15 11:23am Login: GSA

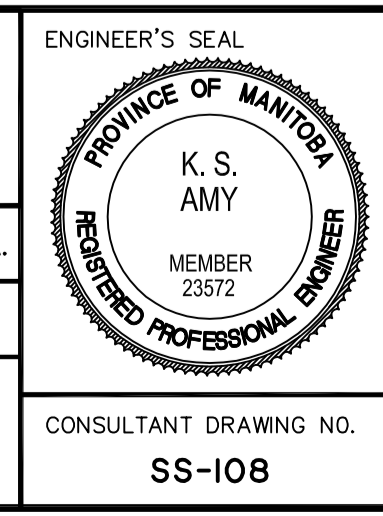


LOCATION APPROVED UNDERGROUND STRUCTURES			
SUPV. U/G STRUCTURES COMMITTEE	DATE		
NOTE: LOCATION OF UNDERGROUND STRUCTURES AS SHOWN ARE BASED ON THE BEST INFORMATION AVAILABLE BUT NO GUARANTEE IS GIVEN THAT ALL EXISTING UTILITIES ARE SHOWN OR THAT THE GIVEN LOCATIONS ARE EXACT. CONFIRMATION OF EXISTENCE AND EXACT LOCATION OF ALL SERVICES MUST BE OBTAINED FROM THE INDIVIDUAL UTILITIES BEFORE PROCEEDING WITH CONSTRUCTION.			
NO.	REVISIONS	DATE	BY
0	ISSUED FOR TENDER	11.07.15	K.S.A.

B.M. ELEV.			

Stantec Consulting Ltd.
 905 Waverley Street, Winnipeg, Manitoba
 Tel 204-489-5900 Fax 204-453-9012

DESIGNED BY: K.S.A.	CHECKED BY: B.J.W. / K.S.A.
DRAWN BY: J.M.B.	APPROVED BY: K.S.A.
HOR. SCALE: 1:50	RELEASED FOR CONSTRUCTION: _____
VERTICAL: _____	DATE: 09.12.11



THE CITY OF WINNIPEG
 PUBLIC WORKS DEPARTMENT
 ENGINEERING DIVISION

WWARP PART I
 KENASTON BOULEVARD EXTENSION - N.B. LANES
 NORTH TOWN ROAD TO BISHOP GRANDIN BOULEVARD
 CONCRETE CULVERT EXTENSION
 EARTHWORK DETAILS - SHEET 3 OF 3

SHEET 45 OF 65
CAD FILE DRAWING NUMBER 04840s-107-727.dwg
CITY DRAWING NUMBER C375-II-07