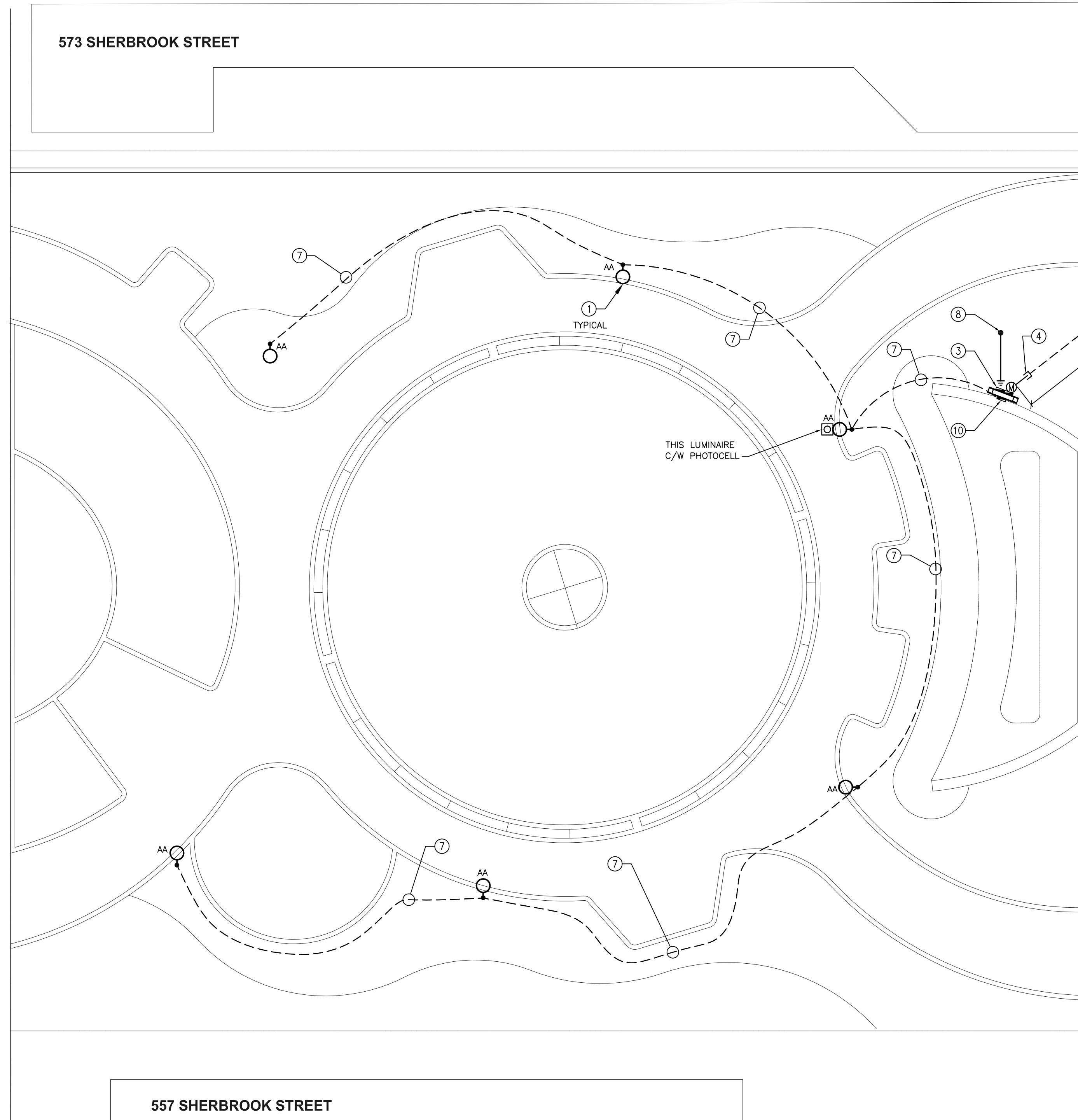


SHERBROOK STREET

BOULEVARD

SIDEWALK

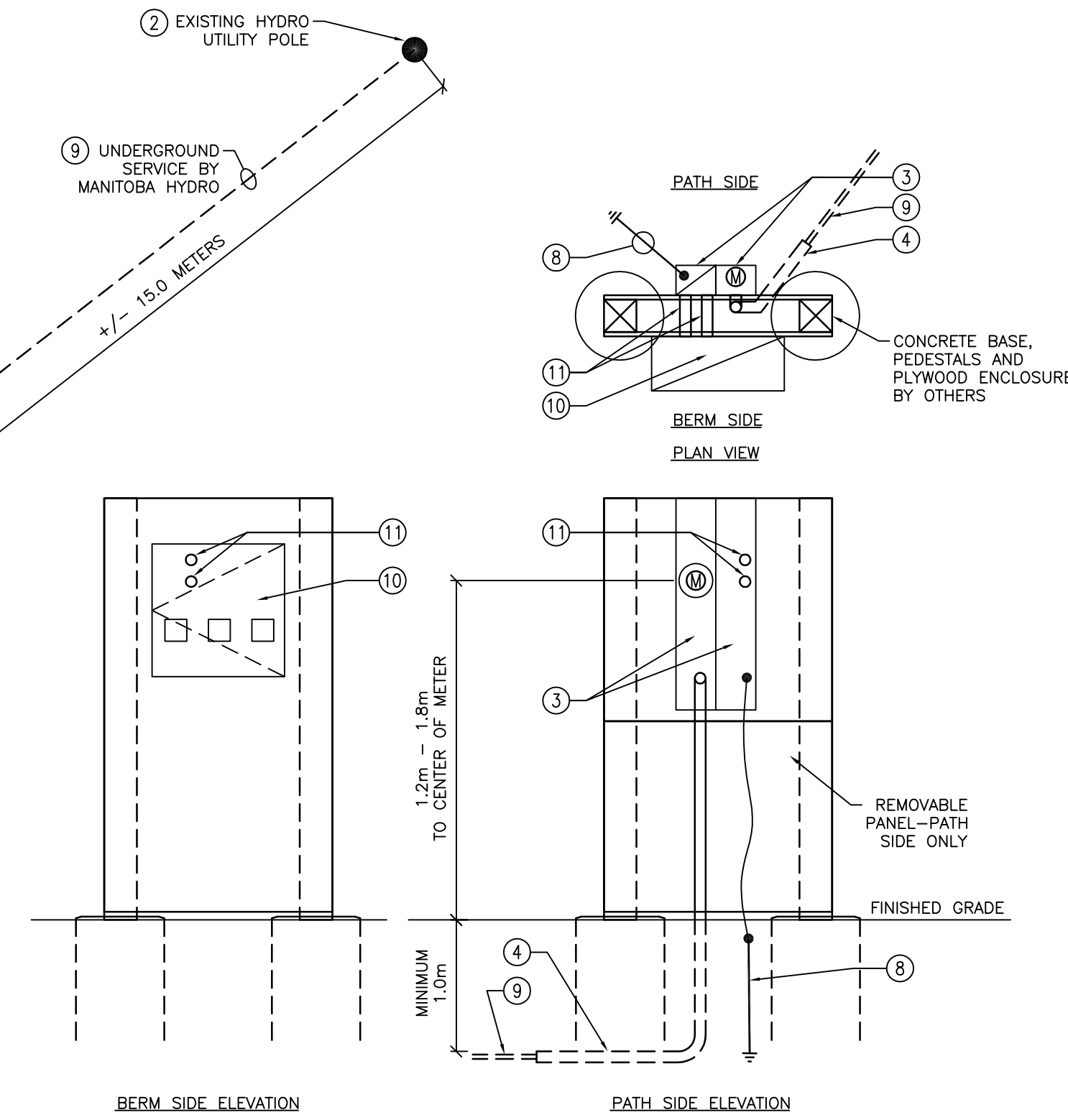
573 SHERBROOK STREET



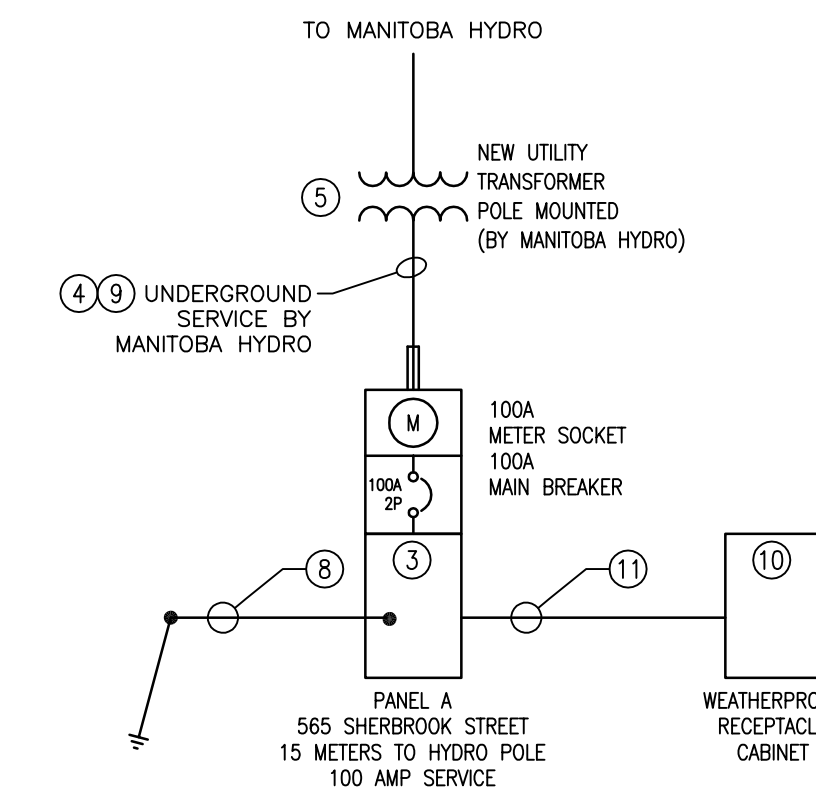
557 SHERBROOK STREET

1 SITE PLAN - ELECTRICAL
E1.0 SCALE: 1:100

LANE



2 PANELBOARD MOUNTING DETAIL
E1.0 SCALE: N.T.S.



3 SINGLE LINE DIAGRAM - ELECTRICAL
E1.0 SCALE: N.T.S.

KEY NOTES

- TYPE AA LUMINAIRE SHALL BE SDL LIGHTING PRISMA MODEL# VP80-LR2-100S-120-A11-8G/PB.(TYPE 2 ASYMMETRIC LIGHT DISTRIBUTION) C/W ROUND POLE SDL MODEL# C06-44LR-15T-WA11. ALL LIGHTING WILL BE CONTROLLED BY ONE PHOTOCELL LOCATED IN ONE LUMINAIRE NEAREST ELECTRICAL PANEL. PROVIDE SUITABLE CONCRETE BASE AND ANCHOR BOLTS AS REQUIRED PER MANUFACTURERS RECOMMENDATIONS. CONFIRM BASE DETAILS WITH CONTRACT ADMINISTRATOR. EXTEND 2" BLACK POLYETHYLENE CONDUIT STUBBED MINIMUM 8" (200mm) UP INTO BASE OF EACH POLE. LOCATE ANCHOR BOLTS AND ORIENT EACH LUMINAIRE SO THAT LIGHT IS DIRECTED ONTO PATHWAYS. CONFIRM FINAL LUMINAIRE LOCATIONS WITH CONTRACT ADMINISTRATOR.
- APPROXIMATE LOCATION OF MANITOBA HYDRO UTILITY POLE IN BACK LANE.
- NEW UTILITY GRADE WEATHERPROOF PEDESTAL MOUNTED SERVICE ENTRANCE PANEL C/W MAIN BREAKER AND UTILITY METERING SOCKET. PANEL TO BE EATON ELECTRIC COMBINED LOADCENTRE AND METER SOCKET, MODEL #RCPM108M, 8 CIRCUIT, 120/240V, 1 PHASE, 3 WIRE ELECTRICAL PANEL (OR APPROVED EQUAL). PANEL TO BE COMPLETE WITH PAD-LOCKABLE ACCESS COVER / DOOR. ROUTE INCOMING HYDRO FEEDERS UP IN CENTER OF PEDESTAL AND INTO BACK OF METERING CABINET. COORDINATE WITH MANITOBA HYDRO.
- PROVIDE PVC CONDUIT STUBBED OUT FOR HYDRO SERVICE CONDUCTORS.
- POLE MOUNTED TRANSFORMER BY UTILITY. (MANITOBA HYDRO)
- OPEN NUMBER.
- 2C#10 PLUS #12 GROUND TYPE RWU-90 IN 2" BLACK POLYETHYLENE PIPE. ROUTE POLYETHYLENE UP IN CENTER OF PANEL PEDESTAL, MINIMUM 8" (200mm) ABOVE FINISHED GRADE. PROVIDE FITTINGS AS REQUIRED TO TRANSITION BLACK POLY TO RIGID PVC TO ENTER INTO ELECTRICAL PANEL FROM REAR OF PANEL. MINIMIZE ROUTING OF BLACK PIPE BELOW PATHWAYS, AND ROUTE BELOW GREEN AREAS TO PERMIT EASIER ACCESS IN THE FUTURE.
- PROVIDE 1-6m LONG COPPER CLAD STEEL GROUND ROD CONNECTED BY #6 COPPER GROUND TO DISTRIBUTION PANEL FOR SERVICE GROUND. USE COMPRESSION CONNECTIONS FOR ALL GROUND CONDUCTORS. KEEP GROUND ROD AND GROUND WIRE MINIMUM OF 150mm BELOW FINISHED GRADE.
- ELECTRICAL CONTRACTOR TO CARRY A CASH ALLOWANCE OF \$2600.00 PLUS TAXES FOR THE INSTALLATION OF UTILITY FEEDERS UNDERGROUND. THIS ALLOWANCE INCLUDES THE INSTALLATION OF THE UNDERGROUND FEEDERS FROM THE UTILITY POLE TO THE ELECTRICAL SERVICE METER SOCKET, BY MANITOBA HYDRO, TO A MAXIMUM OF 60 METERS IN DISTANCE FROM THE UTILITY POLE. COORDINATE INSTALLATION WITH MANITOBA HYDRO.
- PROVIDE WEATHERPROOF, PAD LOCKABLE CABINET ON BACK SIDE OF PEDESTAL OPPOSITE ELECTRICAL METER AND PANEL. INSIDE CABINET, PROVIDE 1-NEMA 14-50R RECEPTACLE, FED FROM 50A/2P BREAKER, AND 2-NEMA 5-20R2GF1 DUPLEX RECEPTACLES. EACH FED FROM A DEDICATED 20A/1P BREAKER. CABINET TO BE SIZED TO ALLOW POWER CORDS TO BE PLUGGED INTO RECEPTACLES, AND EXIT CABINET VIA CABLE SLOTS OUT BOTTOM OF CABINET WHILE CABINET DOOR IS LOCKED. CABINET / CABLE SLOTS TO BE MADE SUCH THAT POWER CORDS ARE NOT TO BE PLUGGED IN OR REMOVED WHILE CABINET IS LOCKED.
- PROVIDE 2-2" WEATHERPROOF CONDUITS C/W SEALS AND GROMMETS STUBBED FROM BACK OF ELECTRICAL PANEL INTO BACK OF RECEPTACLE CABINET FOR WIRING. PROVIDE #6 AWG GREEN INSULATED GROUND FROM RECEPTACLE CABINET TO GROUND IN ELECTRICAL PANEL.

PANEL A FED FROM UTILITY POLE		LOCATION: 565 Sherbrook Street, Wpg, MB. LOCATION: BACK LANE					
Designation	Load (VA)	Ckt. No.	Phase	Ckt. No.	Phase	Load (VA)	Designation
RECEPTACLE	4800	50	1 A	15	15	6 QTY	SITE LIGHTING
14-50RA	1R 4800	2P	2 B	6	6		2#10 RWU-90
RECEPTACLE	1R 1000	20	3 A	7	7		SPARE
5-20R2GF1	1R 1000	20	4 B	8	8		SPARE
VOLTAGE: 120/240V, 1Ø, 3W		LOADS - PHLA		6556			
CAPACITY: 100A		LOADS - PHLB		5800			
MOUNTING: OUTDOOR PEDESTAL		TOTAL		12356			
REMARKS: C/W 100A MAIN BREAKER		CONNECTED AMPS:		51.48 AMPS			
ALL BREAKERS SHALL BE 22KAIC RATED							

SMS ENGINEERING
SMS Engineering Ltd. Consulting Engineers
770 Bradford Street Winnipeg MB Canada R3H 0N3
Telephone 204.775.0291 Fax 204.772.2153
sme@smseng.com

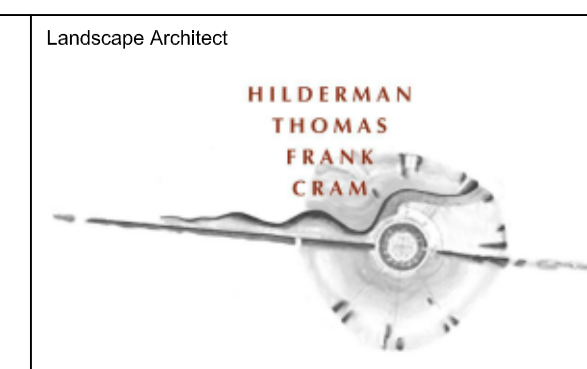
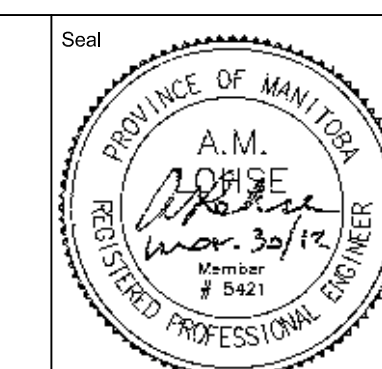
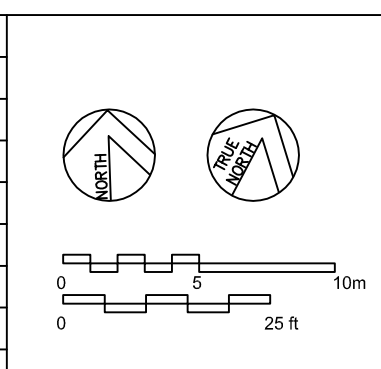
PANEL SCHEDULE A
PROJECT: ABORIGINAL SPIRIT PARK
FILE: 11-191-01
DATE: 30-Mar-12

4 SCHEDULE - PANEL 'A'
E1.0 SCALE: N.T.S.

APEGM Certificate of Authorization
SMS Engineering Ltd.
No. 166 Expiry: April 30, 2012

SMS ENGINEERING
SMS Engineering Ltd. Consulting Engineers
770 Bradford Street Winnipeg MB Canada R3H 0N3
Telephone 204.775.0291 Fax 204.772.2153
sme@smseng.com

No.	Date	Issue/Revision	By
4	2012-03-30	ISSUED FOR TENDER	DE
3	2011-09-27	ISSUED FOR FINAL REVIEW	DE
2	2011-07-22	99% CD	DE
1	2011-03-14	66% CD	DE



Project ABORIGINAL SPIRIT PARK #561-569 SHERBROOK STREET WINNIPEG, MANITOBA						Sheet No. E1.0R
Sheet Title SITE PLAN, DETAILS - ELECTRICAL						
Design DE	Drawn WPD	Checked AML	Scale AS SHOWN	Date 03/30/2012	File 11-191-01	

The general contractor shall check & verify all dimensions and report any errors or omissions to the designers.