

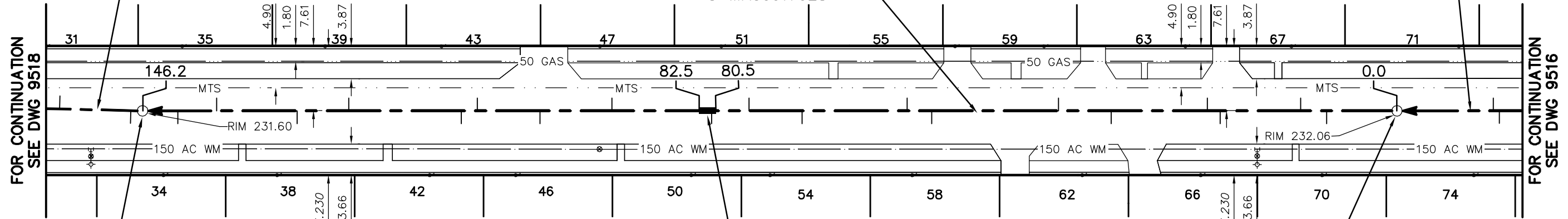


POPLARWOOD AVENUE

TO BE LINED
(SEE DWG 9518)

146.2 OF 300 CONC WWS TO BE
LINED (PARTIALLY DETERIORATED)
S-MA50017928

TO BE LINED
(SEE DWG 9516)



MH ID S-MH50014448
MH OPENING - 521Ø
MH RISERS - 750Ø
MH BASE - 1200Ø

2.0 OF 300 PVC SEWER REPAIR
(SD-0022A) INCLUDING 1 SERVICE
CONNECTION.
(TO BE DONE BY OTHERS)

MH ID S-MH50014449
MH OPENING - 521Ø
MH RISERS - 750Ø
MH BASE - 1200Ø

SEWER JUNCTION INFORMATION
FROM SEWER VIDEO INSPECTION
SEWER ID S-MA50017928

DISTANCE FROM MH ID S-MH50014449				
8.3	S	150Ø	EAST	CNI
11.4	S	150Ø	WEST	CNI
20.9	S	150Ø	EAST	CNI
22.4	S	150Ø	WEST	CN
33.8	S	150Ø	EAST	CNI
40.0	S	150Ø	WEST	CNI
55.0	S	150Ø	EAST	CN
57.9	S	150Ø	WEST	CN
70.3	S	150Ø	EAST	CNI
76.6	S	150Ø	WEST	JN
81.0	S	150Ø	EAST	CX
92.8	S	150Ø	WEST	JN
101.3	S	150Ø	EAST	CNI
108.7	S	150Ø	WEST	CN
110.6	S	150Ø	EAST	CN
123.9	S	150Ø	WEST	JN
130.0	S	150Ø	EAST	CNI
139.5	S	150Ø	WEST	JN
144.1	S	150Ø	EAST	JN

ENGINEER'S SEAL

ORIGINAL
SIGNED BY
S.R.J.
COURNOYER
11-03-18

BID OPPORTUNITY No: 49-2011

FILENAME : 9515-9518.DWG

PLOT DATE : 2011 03 22

LEGEND:

52.0 | MEASUREMENT TO REPAIR FROM REFERENCE MH SHOWN THUS...

METRIC

WHOLE NUMBERS INDICATE MILLIMETRES
DECIMALIZED NUMBERS INDICATE METRES

B.M. ELEV.	FIELD BOOK #:	CITY OF WINNIPEG WATER AND WASTE ENGINEERING DIVISION		THE CITY OF WINNIPEG WATER AND WASTE DEPARTMENT	
POSTED TO LBIS					
DESIGNED BY	SC	CHECKED BY	SC	2011 SEWER RENEWALS BY CIPP LINING, CONTRACT 14 POPLARWOOD AVENUE 1ST MH W OF NEEPAWA STREET TO 2ND MH W OF NEEPAWA STREET	
DRAWN BY	RS	APPROVED BY	KZ		
HOR. SCALE	1:500	RELEASED FOR CONSTRUCTION	KAS ZUREK		
NO. REVISIONS	DATE	BY	DATE	2011 03 18	
				DATE	11-03-22
				SHEET 39 OF 85	
				CITY DRAWING NUMBER	
				9517	