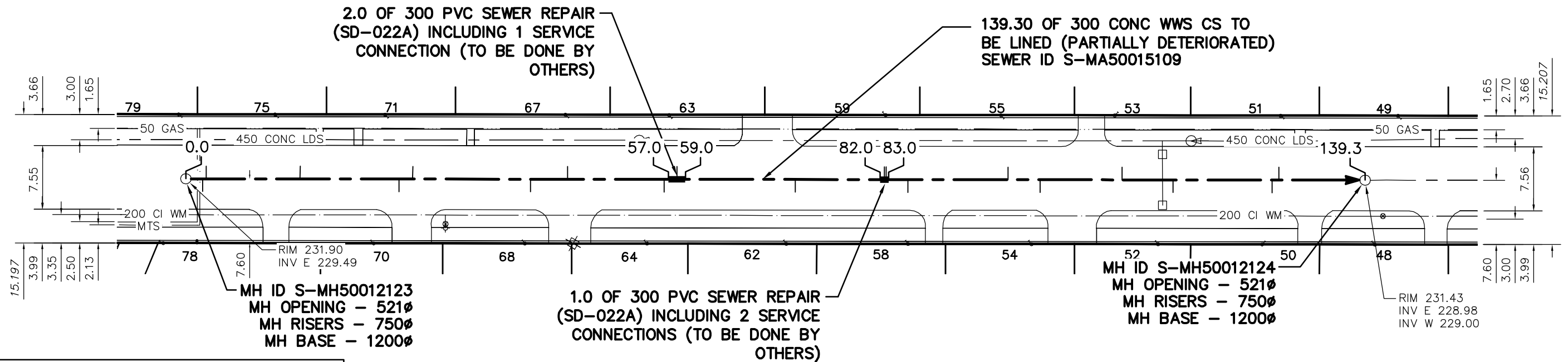


# PARKVILLE DRIVE



SEWER JUNCTION INFORMATION FROM SEWER VIDEO INSPECTION SEWER ID S-MA50015109

DISTANCE FROM MH ID S-MH50012123				
2.00	E	200ø	SOUTH	JN
2.40	E	150ø	NORTH	JN
13.50	E	150ø	NORTH	JN
25.20	E	200ø	SOUTH	JN
26.80	E	200ø	NORTH	JN
40.70	E	200ø	SOUTH	JN
45.10	E	150ø	NORTH	JN
56.50	E	150ø	SOUTH	JN
58.00	E	150ø	NORTH	JN
72.00	E	150ø	SOUTH	JN
82.50	E	150ø	NORTH	JN
82.70	E	150ø	TOP	JN
85.30	E	150ø	SOUTH	JN
97.10	E	150ø	NORTH	JN
100.90	E	150ø	SOUTH	JN
110.60	E	200ø	NORTH	JN
116.60	E	150ø	SOUTH	JN
128.30	E	200ø	SOUTH	JN
129.10	E	150ø	NORTH	JN

ENGINEER'S SEAL

**ORIGINAL  
SIGNED BY  
S.R.J.  
COURNOYER  
11-03-18**

BID OPPORTUNITY No: 49-2011  
FILENAME : 9514.dwg  
PLOT DATE : 2011 03 22

**LEGEND:**  
52.0 | MEASUREMENT TO REPAIR FROM REFERENCE MH SHOWN THUS... | 0.0

**METRIC**  
WHOLE NUMBERS INDICATE MILLIMETRES  
DECIMALIZED NUMBERS INDICATE METRES

B.M. ELEV.	FIELD BOOK #:	<b>CITY OF WINNIPEG WATER AND WASTE ENGINEERING DIVISION</b>			<b>THE CITY OF WINNIPEG WATER AND WASTE DEPARTMENT</b>
POSTED TO LBIS		DESIGNED BY: SC	CHECKED BY: SC		
		DRAWN BY: RS	APPROVED BY: KZ	RELEASED FOR CONSTRUCTION <b>KAS ZUREK</b>	<b>PARKVILLE DRIVE</b>
		HOR. SCALE: 1:500			<b>1ST MH E OF PULBERRY DRIVE TO 2ND MH E OF PULBERRY DRIVE</b>
NO. REVISIONS	DATE BY	DATE: 2011 03 18	DATE: 11-03-22		<b>SHEET 36 OF 85</b> CITY DRAWING NUMBER <b>9514</b>