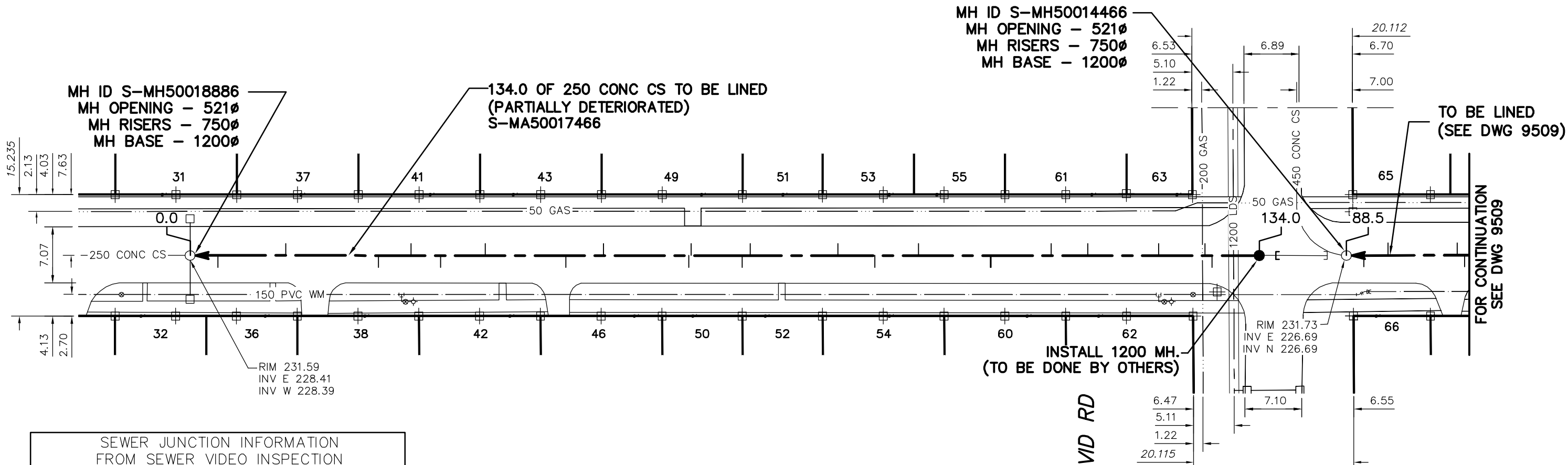


LENNOX AVENUE



MH ID S-MH50018886
 MH OPENING - 521Ø
 MH RISERS - 750Ø
 MH BASE - 1200Ø

134.0 OF 250 CONC CS TO BE LINED
 (PARTIALLY DETERIORATED)
 S-MA50017466

MH ID S-MH50014466
 MH OPENING - 521Ø
 MH RISERS - 750Ø
 MH BASE - 1200Ø

TO BE LINED
 (SEE DWG 9509)

FOR CONTINUATION
 SEE DWG 9509

INSTALL 1200 MH.
 (TO BE DONE BY OTHERS)

ST DAVID RD

SEWER JUNCTION INFORMATION
 FROM SEWER VIDEO INSPECTION
 SEWER ID S-MA50017466

DISTANCE FROM MH ID S-MH50018886				
3.5	E	150Ø	SOUTH	CNI
12.0	E	150Ø	NORTH	CNI
23.6	E	150Ø	SOUTH	CXI
27.7	E	150Ø	NORTH	CN
31.4	E	150Ø	SOUTH	CN
37.0	E	150Ø	NORTH	CN
47.1	E	150Ø	SOUTH	CN
51.8	E	150Ø	NORTH	CNI
62.5	E	150Ø	SOUTH	CNI
62.8	E	150Ø	NORTH	JN
69.2	E	150Ø	SOUTH	JN
70.2	E	150Ø	NORTH	JX
81.2	E	150Ø	NORTH	CNI
85.8	E	150Ø	SOUTH	JN
91.3	E	150Ø	NORTH	JN
100.3	E	150Ø	SOUTH	CXI
100.4	E	150Ø	SOUTH	JN
107.9	E	150Ø	NORTH	CNI
112.5	E	150Ø	NORTH	CNI
121.4	E	150Ø	NORTH	CNI
127.2	E	150Ø	NORTH	CNI
128.1	E	150Ø	SOUTH	CN

ENGINEER'S SEAL

**ORIGINAL
 SIGNED BY
 S.R.J.
 COURNOYER
 11-03-18**

BID OPPORTUNITY No: 49-2011
 FILENAME : 9509_9510.DWG
 PLOT DATE : 2011 03 22

LEGEND:
 52.0 | MEASUREMENT TO REPAIR FROM REFERENCE MH SHOWN THUS...

METRIC
 WHOLE NUMBERS INDICATE MILLIMETRES
 DECIMALIZED NUMBERS INDICATE METRES

B.M. ELEV.	FIELD BOOK #:	CITY OF WINNIPEG WATER AND WASTE ENGINEERING DIVISION		THE CITY OF WINNIPEG WATER AND WASTE DEPARTMENT
POSTED TO LBIS				
DESIGNED BY	SC	CHECKED BY	SC	2011 SEWER RENEWALS BY CIPP LINING, CONTRACT 14 LENNOX AVENUE MH AT ST DAVID ROAD TO 1ST MH W OF ST DAVID ROAD
DRAWN BY	RS	APPROVED BY	KZ	
HOR. SCALE	1:500	RELEASED FOR CONSTRUCTION	KAS ZUREK	
VERTICAL		DATE	2011 03 18	
NO. REVISIONS	DATE	BY	DATE	11-03-22
				SHEET 32 OF 85 CITY DRAWING NUMBER 9510