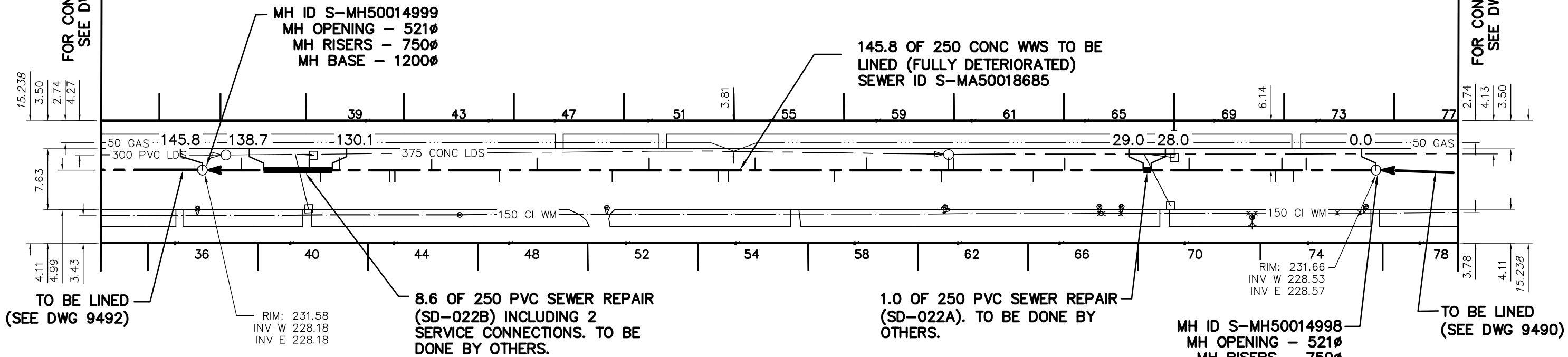
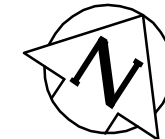


FERNWOOD AVENUE



DISTANCE FROM MH ID S-MH50014998				
8.70	E	150ø	NORTH	JN
10.30	E	150ø	SOUTH	JN
11.70	E	150ø	NORTH	JN
12.50	E	150ø	SOUTH	JN
23.30	E	150ø	NORTH	JN
38.80	E	150ø	NORTH	JN
42.70	E	150ø	SOUTH	JN
52.70	E	150ø	NORTH	JN
53.30	E	150ø	NORTH	JN
54.20	E	150ø	SOUTH	JN
63.50	E	150ø	NORTH	JN
67.50	E	150ø	SOUTH	JN
77.40	E	150ø	NORTH	JN
80.70	E	150ø	SOUTH	JN
82.00	E	150ø	SOUTH	JN
90.60	E	150ø	NORTH	JN
95.20	E	150ø	SOUTH	JN
104.60	E	150ø	NORTH	JN
109.30	E	150ø	SOUTH	JN
117.70	E	150ø	NORTH	JN
122.30	E	150ø	SOUTH	JN
123.00	E	150ø	SOUTH	JN
129.20	E	150ø	NORTH	JN
131.60	E	150ø	SOUTH	JN
133.00	E	150ø	NORTH	JN
141.40	E	150ø	NORTH	JN

LEGEND:
52.0 | MEASUREMENT TO REPAIR FROM REFERENCE MH SHOWN THUS... |

METRIC
WHOLE NUMBERS INDICATE MILLIMETRES
DECIMALIZED NUMBERS INDICATE METRES

MH ID S-MH50014998
MH OPENING - 521ø
MH RISERS - 750ø
MH BASE - 1200ø

ENGINEER'S SEAL

**ORIGINAL
SIGNED BY
S.R.J.
COURNOYER
11-03-18**

BID OPPORTUNITY No: 49-2011
FILENAME : 9491_9555.dwg
PLOT DATE : 2011 03 22

B.M. ELEV.	FIELD BOOK #	CITY OF WINNIPEG WATER AND WASTE ENGINEERING DIVISION			THE CITY OF WINNIPEG WATER AND WASTE DEPARTMENT	
POSTED TO LBIS		DESIGNED BY: SC	CHECKED BY: SC		2011 SEWER RENEWALS BY CIPP LINING, CONTRACT 14	
		DRAWN BY: RS	APPROVED BY: KZ	FERNWOOD AVENUE		SHEET 13 OF 85
		HOR. SCALE: 1:500	RELEASED FOR CONSTRUCTION: KAS ZUREK	1ST MH W OF ST DAVID STREET TO 1ST MH E OF ST MARYS ROAD		CITY DRAWING NUMBER 9491
NO. REVISIONS	DATE	BY	DATE	2011 03 18	DATE	11-03-22