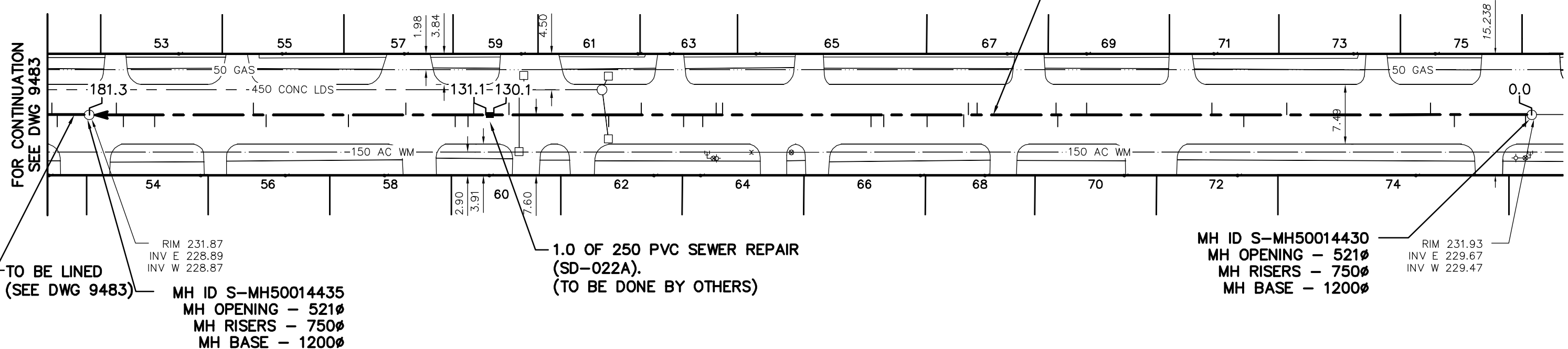




BERRYDALE AVENUE



SEWER JUNCTION INFORMATION FROM SEWER VIDEO INSPECTION SEWER ID S-MA50017913

DISTANCE FROM MH ID S-MH50014430				
0.8	W	150Ø	SOUTH	JN
9.7	W	150Ø	SOUTH	CNI
12.7	W	150Ø	NORTH	JN
30.7	W	150Ø	NORTH	CN
36.1	W	150Ø	SOUTH	JN
40.1	W	150Ø	NORTH	CNI
55.8	W	150Ø	NORTH	CNI
59.4	W	150Ø	SOUTH	CNI
59.6	W	150Ø	NORTH	CN
69.5	W	150Ø	NORTH	JN
70.6	W	150Ø	NORTH	CN
71.2	W	150Ø	SOUTH	JN
75.8	W	150Ø	SOUTH	CN
81.2	W	150Ø	SOUTH	CN
82.8	W	150Ø	SOUTH	CNI
101.4	W	150Ø	NORTH	CNI
102.2	W	150Ø	NORTH	CNI
103.9	W	150Ø	SOUTH	JN
106.3	W	150Ø	SOUTH	CN

SEWER JUNCTION INFORMATION FROM SEWER VIDEO INSPECTION SEWER ID S-MA50017913

DISTANCE FROM MH ID S-MH50014430				
111.6	W	150Ø	SOUTH	JN
115.7	W	150Ø	SOUTH	CNI
128.2	W	150Ø	NORTH	CXI
132.6	W	150Ø	NORTH	JN
133.3	W	150Ø	SOUTH	JN
134.9	W	150Ø	SOUTH	JN
141.1	W	150Ø	NORTH	JN
148.3	W	150Ø	SOUTH	CN
158.6	W	150Ø	SOUTH	JN
160.2	W	150Ø	NORTH	JN
** REVERSAL REQUIRED **				

SEWER JUNCTION INFORMATION FROM SEWER VIDEO INSPECTION SEWER ID S-MA50017913

DISTANCE FROM MH ID S-MH50014435				
3.4	E	150Ø	NORTH	JN
4.3	E	150Ø	SOUTH	JN
8.2	E	150Ø	SOUTH	CN

ENGINEER'S SEAL

**ORIGINAL
SIGNED BY
S.R.J.
COURNOYER
11-03-18**

BID OPPORTUNITY No: 49-2011
FILENAME : 9482_9484.dwg
PLOT DATE : 2011 03 22

LEGEND:
52.0 | MEASUREMENT TO REPAIR FROM REFERENCE MH SHOWN THUS...

METRIC
WHOLE NUMBERS INDICATE MILLIMETRES
DECIMALIZED NUMBERS INDICATE METRES

B.M. ELEV.	FIELD BOOK #:	CITY OF WINNIPEG WATER AND WASTE ENGINEERING DIVISION		THE CITY OF WINNIPEG WATER AND WASTE DEPARTMENT	
POSTED TO LBIS		DESIGNED BY: SC	CHECKED BY: SC	2011 SEWER RENEWALS BY CIPP LINING, CONTRACT 14 BERRYDALE AVENUE 3RD MH E OF ST MARYS ROAD TO 2ND MH E OF ST MARYS ROAD	
		DRAWN BY: KB	APPROVED BY: KZ	SHEET 4 OF 85 CITY DRAWING NUMBER 9482	
		HOR. SCALE: 1:500	RELEASED FOR CONSTRUCTION: KAS ZUREK		
		VERTICAL	DATE: 2011 03 18	DATE: 11-03-22	