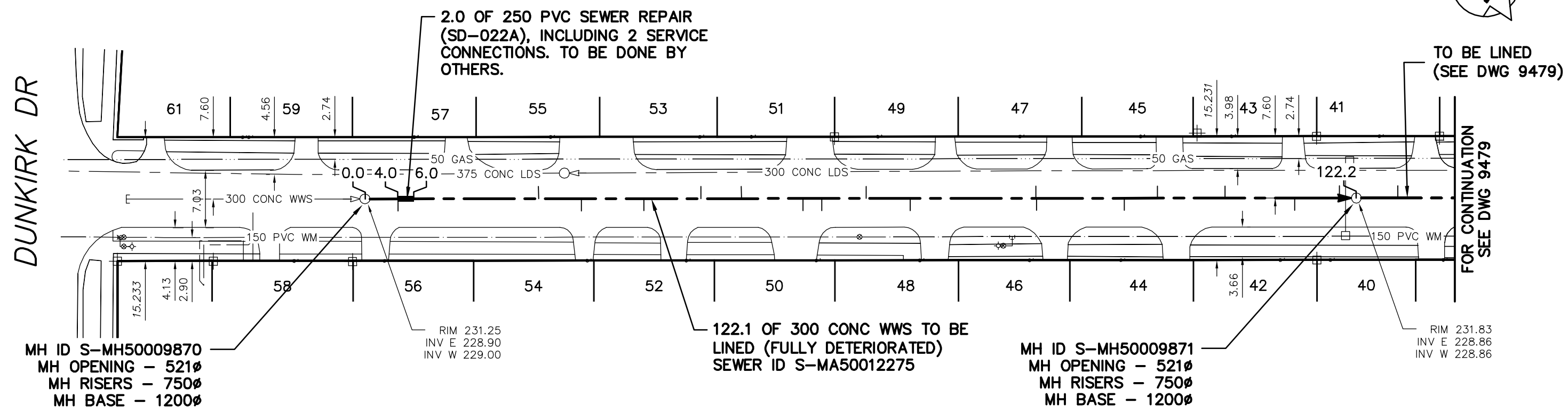
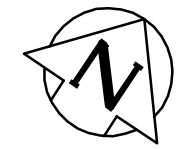


BARRINGTON AVENUE



MH ID S-MH50009870
 MH OPENING - 521Ø
 MH RISERS - 750Ø
 MH BASE - 1200Ø

RIM 231.25
 INV E 228.90
 INV W 229.00

122.1 OF 300 CONC WWS TO BE LINED (FULLY DETERIORATED)
 SEWER ID S-MA50012275

MH ID S-MH50009871
 MH OPENING - 521Ø
 MH RISERS - 750Ø
 MH BASE - 1200Ø

RIM 231.83
 INV E 228.86
 INV W 228.86

SEWER JUNCTION INFORMATION FROM SEWER VIDEO INSPECTION
 SEWER ID S-MA50012275

DISTANCE FROM MH ID S-MH50009870				
4.1	E	150Ø	SOUTH	CNI
5.2	E	150Ø	NORTH	CXI
21.4	E	150Ø	NORTH	CNI
26.7	E	150Ø	SOUTH	JN
34.4	E	150Ø	SOUTH	CNI
41.4	E	150Ø	NORTH	CNI
46.4	E	150Ø	NORTH	CNI
54.0	E	150Ø	SOUTH	CNI
56.3	E	150Ø	SOUTH	CNI
61.8	E	150Ø	NORTH	CNI
67.2	E	150Ø	SOUTH	JN
82.7	E	150Ø	NORTH	CNI
82.8	E	150Ø	SOUTH	CN
93.6	E	150Ø	SOUTH	CNI
97.7	E	150Ø	NORTH	CXI
106.0	E	150Ø	NORTH	CXI
114.6	E	150Ø	NORTH	JN
120.1	E	150Ø	SOUTH	CN

ENGINEER'S SEAL

ORIGINAL SIGNED BY
S.R.J. COURNOYER
11-03-18

BID OPPORTUNITY: 49-2011
 FILENAME : BARRINGTON.dwg
 PLOT DATE : 2011 03 22

LEGEND:
 52.0 | MEASUREMENT TO REPAIR FROM REFERENCE MH SHOWN THUS... 0.0

METRIC
 WHOLE NUMBERS INDICATE MILLIMETRES
 DECIMALIZED NUMBERS INDICATE METRES

B.M. ELEV.	FIELD BOOK #:	CITY OF WINNIPEG WATER AND WASTE ENGINEERING DIVISION		THE CITY OF WINNIPEG WATER AND WASTE DEPARTMENT	
POSTED TO LBIS		DESIGNED BY SC	CHECKED BY SC	2011 SEWER RENEWALS BY CIPP LINING, CONTRACT 14	
		DRAWN BY RS	APPROVED BY KZ	BARRINGTON AVENUE	
		HOR. SCALE 1:500	RELEASED FOR CONSTRUCTION	1ST MH E OF DUNKIRK DRIVE TO 2ND MH E OF DUNKIRK DRIVE	
		VERTICAL	KAS ZUREK	SHEET 2 OF 85	
NO.	REVISIONS	DATE	BY	CITY DRAWING NUMBER	
		2011 03 18		9480	