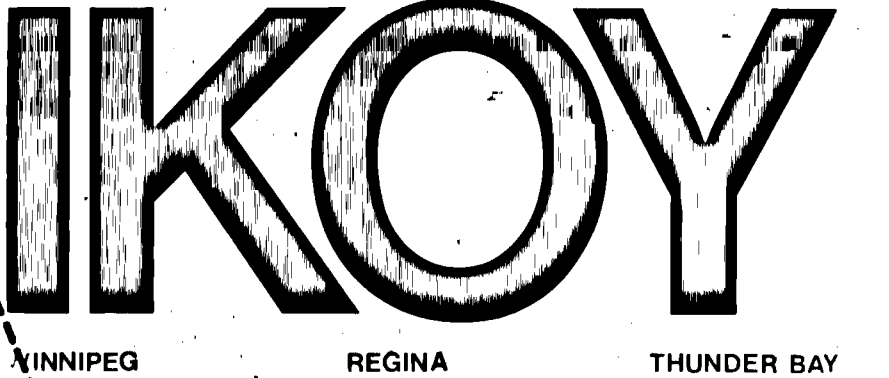


W. H. MILLEY AND ASSOCIATES
CONSULTING STRUCTURAL ENGINEERS
1383 PEMBINA HIGHWAY WINNIPEG 4S2-1A75



W. H. Milley
General Manager
Parks and Recreation
City of Winnipeg
Director of Civic Priorities
City of Winnipeg

NORTHEAST PARK RECREATION BUILDING
FOR
THE CITY OF WINNIPEG

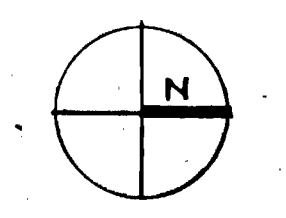
FOUNDATION PLAN

CONCRETE PILES

1. Drill all pile holes to depths shown on plan with maximum horizontal tolerance at top of 50 mm in any direction.
2. Concrete for all piles shall have 28 day strength of 20 MPa, type 50 cement; maximum aggregate size of 45 mm; maximum slump of 90 mm.
3. Concrete in top 2400 mm of each pile shall be well vibrated.
4. All piles shall be reinforced with one #25M bar 6000 mm long placed centrally in pile, hook each end. Reinforcing to project 450 above top of pile.
5. Piling contractor shall be responsible for bringing top of each pile to elevation shown on foundation plan. Pile build-ups, if required, shall be provided by piling contractor to same diameter as pile below.
6. General contractor shall provide pile layout and datum from which piling contractor shall set piles.
7. Piling contractor shall protect concrete in tops of piles from freezing for a period of 48 hours.
8. Piling contractor to remove all boring material from site.

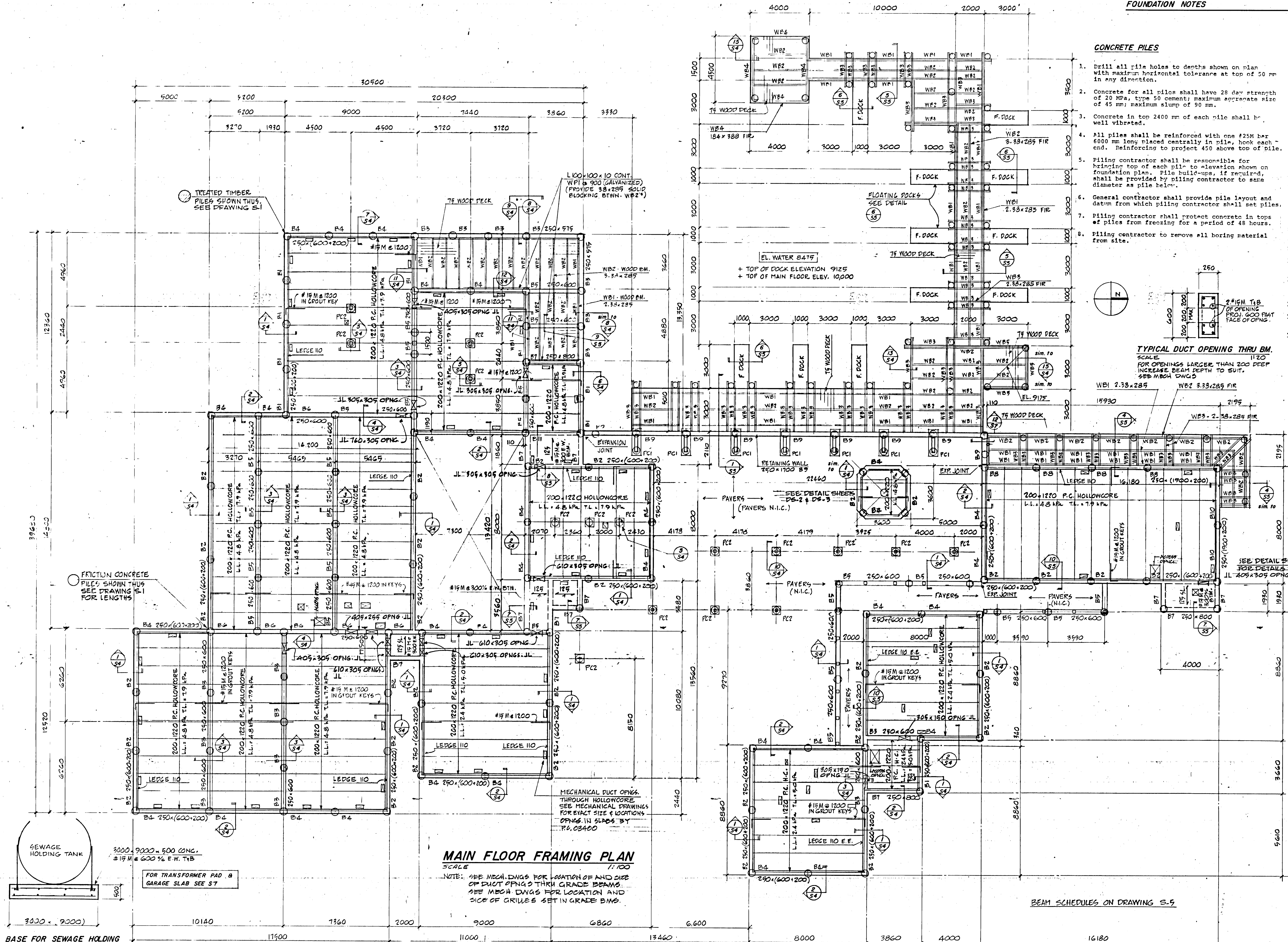
TIMBER PILES

1. All wood piles shall conform with CSA 056-1962 spec. with min. butt size of 305 mm x tip 200mm.
2. Piles may be Pacific coast Douglas Fir, Jack Pine, Red Norway Pine or Lodgepole Pine, all packed.
3. Pressure treat all piles to CSA Spec. 080-1970, Standard 080.3 to a net retention of 130 kg of creosote per m³ of wood. Creosote shall conform to CSA Spec. 080-F1-1970.
4. All timber piles shall be driven to a safe load capacity of 30 kips in friction capacity.
5. Pre-drill holes for timber piles so that maximum horizontal tolerance of top of pile from position shown shall be 75 mm.
6. All piles must be driven so that tops are above levels shown on drawings. Final pile cut-off shall be by general contractor.
7. After pile cut-off, general contractor shall level tops of piles as shown and apply two coats of hot creosote, brushed liberally into wood.
8. Drilling and placement of all steel anchors in tops of piles shall be by general contractor.
9. No pile load test required for this project.
10. Any damaged or out-of-alignment piles shall be removed and replaced by piling contractor.
11. Piling contractor shall be responsible for all materials, methods and equipment necessary for placement of timber piles in water location.
12. Layout of piles by general contractor.
13. Pile driving record shall be kept at site and shall be available to consultants at any time.
14. Removal of pile top cut-off shall be by the general contractor.



TYPICAL DUCT OPENING THRU BM.
SCALE: 1/120
FOR OPENINGS LARGER THAN 200 DEEP INCREASE BEAM DEPTH TO SUIT. SEE MECH DWGS

FOR GENERAL NOTES SEE S3

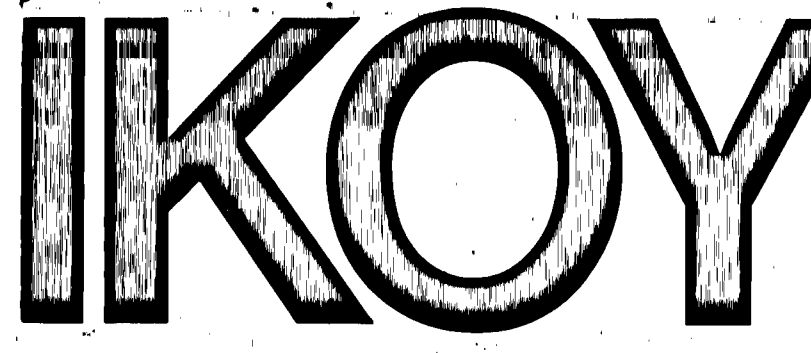


MAIN FLOOR FRAMING PLAN

SCALE: 1/100
NOTE: SEE MECH. DWGS FOR LOCATION OF AND SIZE OF DUCT OPENINGS THRU GRADE BEAMS. SEE MECH. DWGS FOR LOCATION AND SIZE OF GRILLES SET IN GRADE BEAM.

BEAM SCHEDULES ON DRAWING S-5

W. H. MILLEY AND ASSOCIATES
CONSULTING STRUCTURAL ENGINEERS
1383 PEMBINA HIGHWAY WINNIPEG 4S2-1A75

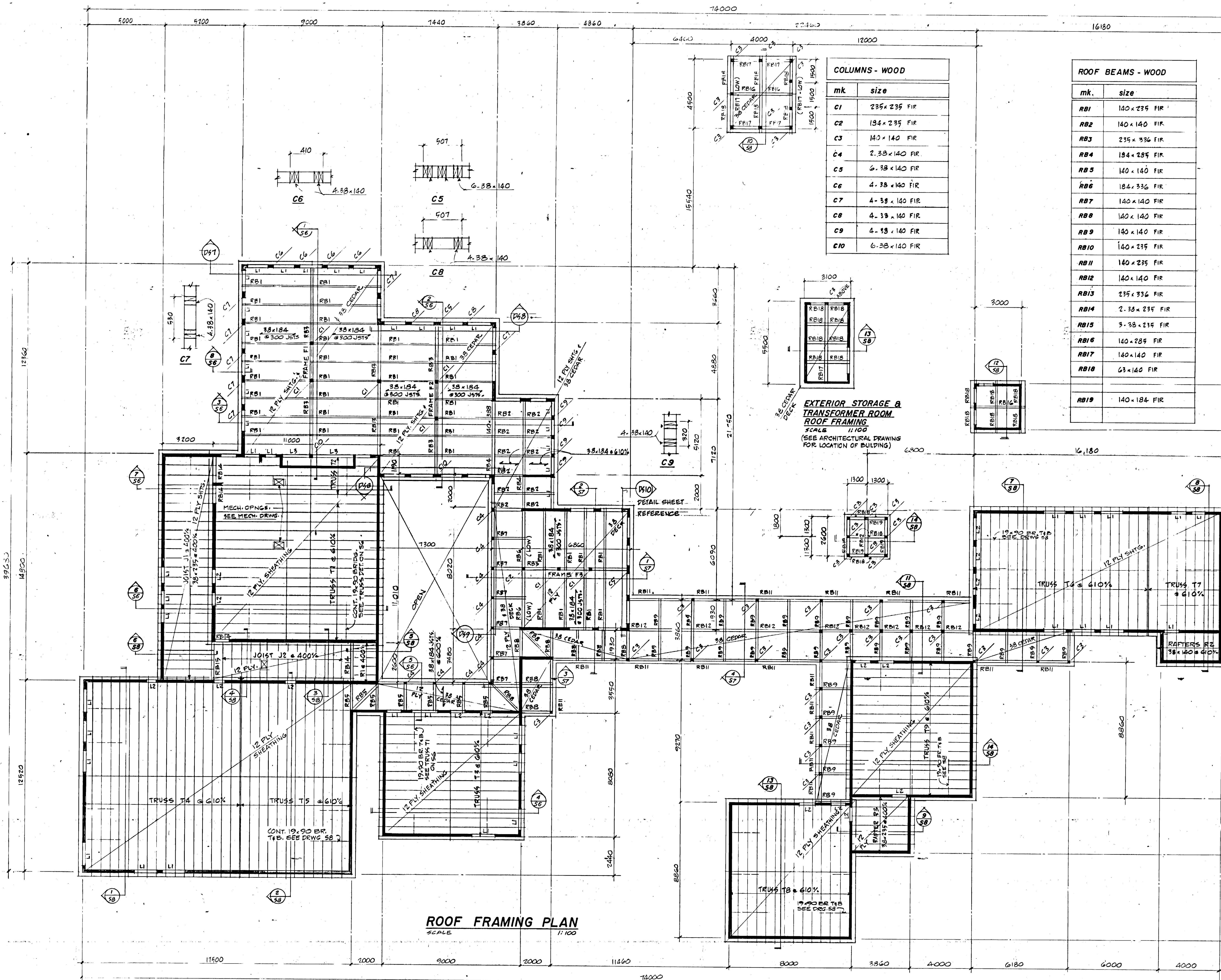


Approved by
General Manager
Parks and Recreation
City of Winnipeg
Director of Civic Properties
City of Winnipeg

NORTHEAST PARK
RECREATION BUILDING
FOR
THE CITY OF WINNIPEG

MAIN FLOOR FRAMING PLAN

DRAWN BY: K.D.
CHECKED BY: W.M.
DATE: DEC. 1980
SHEET NO: 52



COLUMNS - WOOD

mk	size
C1	235 x 235 FIR
C2	134 x 235 FIR
C3	140 x 140 FIR
C4	2.38 x 140 FIR
C5	6.38 x 140 FIR
C6	4.38 x 140 FIR
C7	4.38 x 140 FIR
C8	4.38 x 140 FIR
C9	4.38 x 140 FIR
C10	6.38 x 140 FIR

ROOF BEAMS - WOOD

mk	size
RB1	140 x 235 FIR
RB2	140 x 140 FIR
RB3	235 x 336 FIR
RB4	184 x 235 FIR
RB5	140 x 140 FIR
RB6	184 x 336 FIR
RB7	140 x 140 FIR
RB8	140 x 140 FIR
RB9	140 x 140 FIR
RB10	140 x 235 FIR
RB11	140 x 235 FIR
RB12	140 x 140 FIR
RB13	235 x 336 FIR
RB14	2.38 x 235 FIR
RB15	3.38 x 235 FIR
RB16	140 x 235 FIR
RB17	140 x 140 FIR
RB18	63 x 140 FIR
RB19	140 x 184 FIR

- GENERAL NOTES**
- Concrete for all grade beams, cast-in-place floor slabs shall have 28 day strength of 20 MPa, type 10 cement. Maximum aggregate size of 20 mm; max. slump of 90 mm. All concrete to be well vibrated.
 - Concrete for pile caps shall have 28 day strength of 20 MPa, type 10 cement. Maximum aggregate size of 20 mm; maximum slump of 90 mm. Concrete in pile caps to be well vibrated.
 - Precast concrete floor slabs shall have 28 day strength of 35 MPa, type 10 cement. Precast slabs shall be designed for live and total loading as shown on main floor structural plan. Precast concrete contractor shall provide cross key webs between adjacent floor slabs. General contractor shall provide steel cross key rods between grade beams and floor slabs. All precast concrete floor slabs shall be grouted by precast contractor. Maximum differential camber between floor slabs shall be 5 mm. at midspan.
 - Structural steel shall be G40.21 grade (44). All weld plates and steel support angles shall be galvanized. Welding shall conform to CSA W-59.
 - Reinforcing steel shall be 400 grade for #19 bar size and larger. #10M bar size may be 300 grade. Detail, fabricate and place all reinforcing steel in accordance with ACI manual of practice.
 - All wood stud bearing and non-bearing walls shall be constructed in accordance with the 2010 National Building Code of Canada. All wood beams shall be construction grade F.C. Fir, rough sawn. Wood columns shall be S.C. Fir rough sawn.
 - Roof trusses shall be fabricated by an approved manufacturer who shall be responsible for the design of all members and connections to CSA Specifications. Pricing of all roof trusses shall be by general contractor. Roof truss manufacturer shall allow for all wind and snow loadings due to adjacent walls, etc.

ROOF LOADING

LIVE LOAD	1.72 kPa
TOTAL LOAD	2.40 kPa

LINTEL SCHEDULE

TYPE	SIZE	SHAPE
L1	3.38 x 184 FIR	III
L2	3.38 x 140 SFR	III
L3	3.38 x 235 FIR	III

ROOF FRAMING PLAN
SCALE 1:100

W. H. MILLEY AND ASSOCIATES
CONSULTING STRUCTURAL ENGINEERS
1383 PEMBINA HIGHWAY WINNIPEG 452-1475

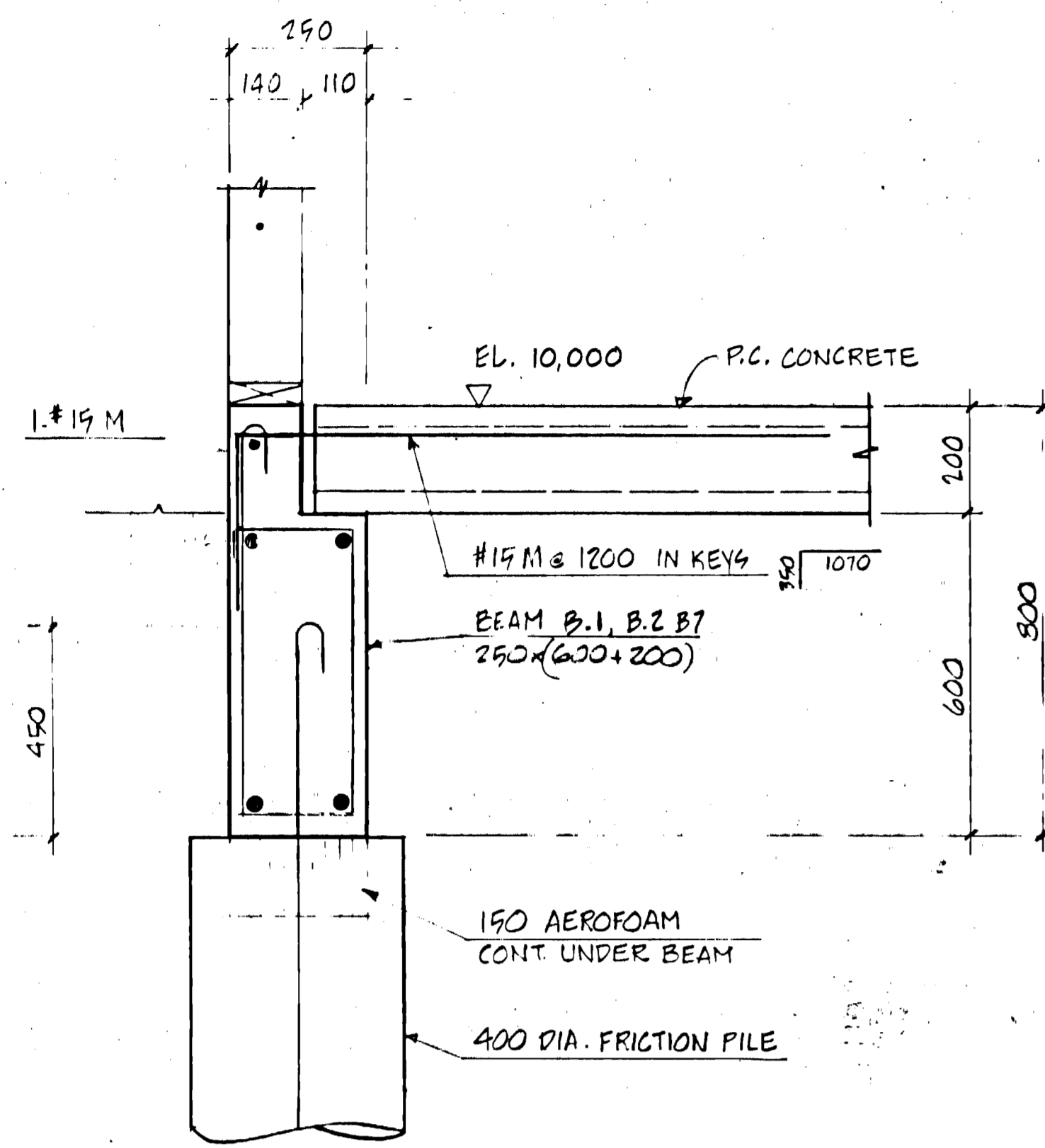
IKOY
WINNIPEG REGINA THUNDER BAY

Approved by
Anton C. Benin
General Manager
Parks and Recreation
City of Winnipeg
B. Young
Director of Civic Properties
City of Winnipeg

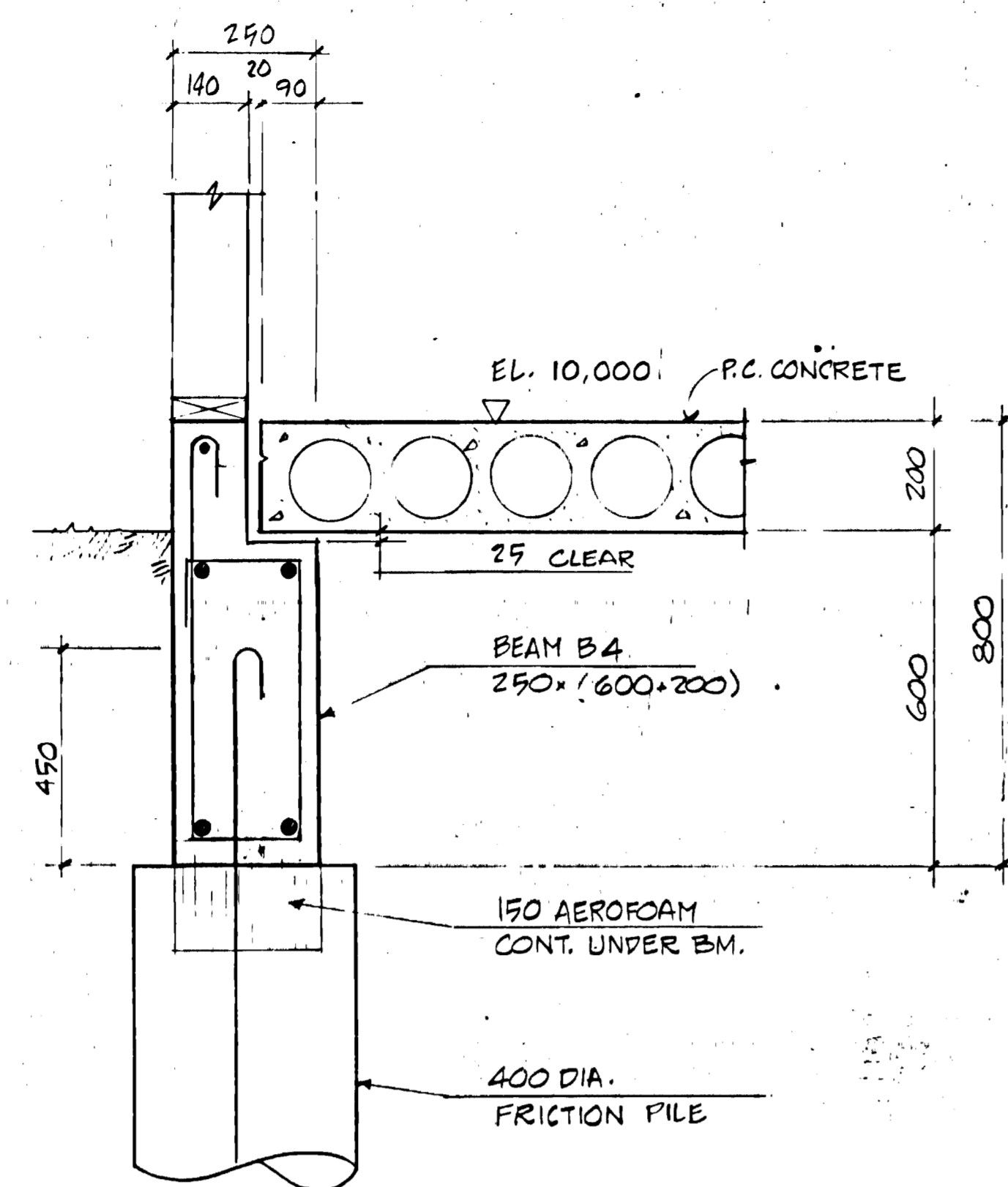
2014
W. H. MILLEY
REGISTERED ENGINEER

NORTHEAST PARK RECREATION BUILDING
FOR
THE CITY OF WINNIPEG
REF TITLE

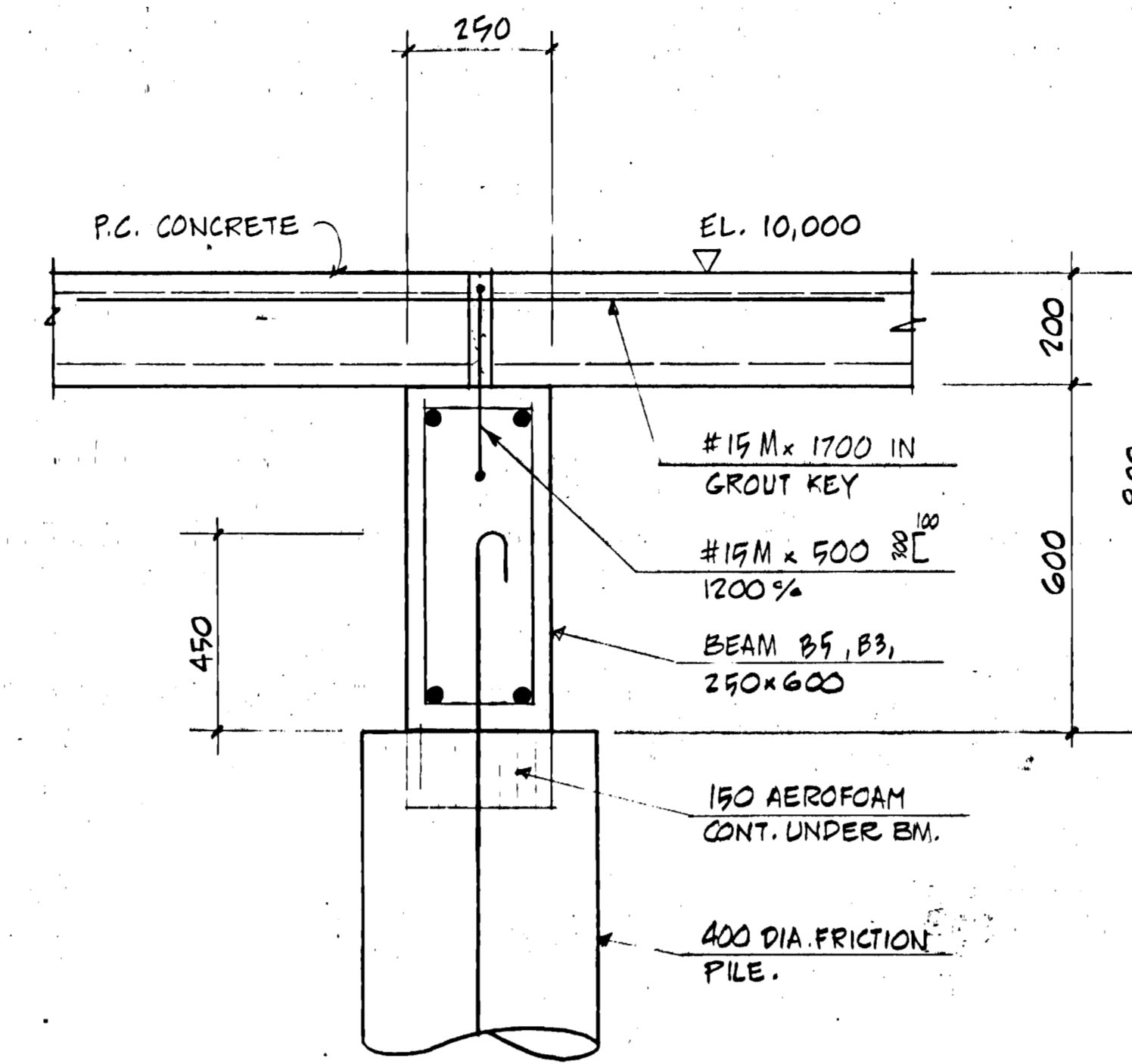
ROOF FRAMING PLAN



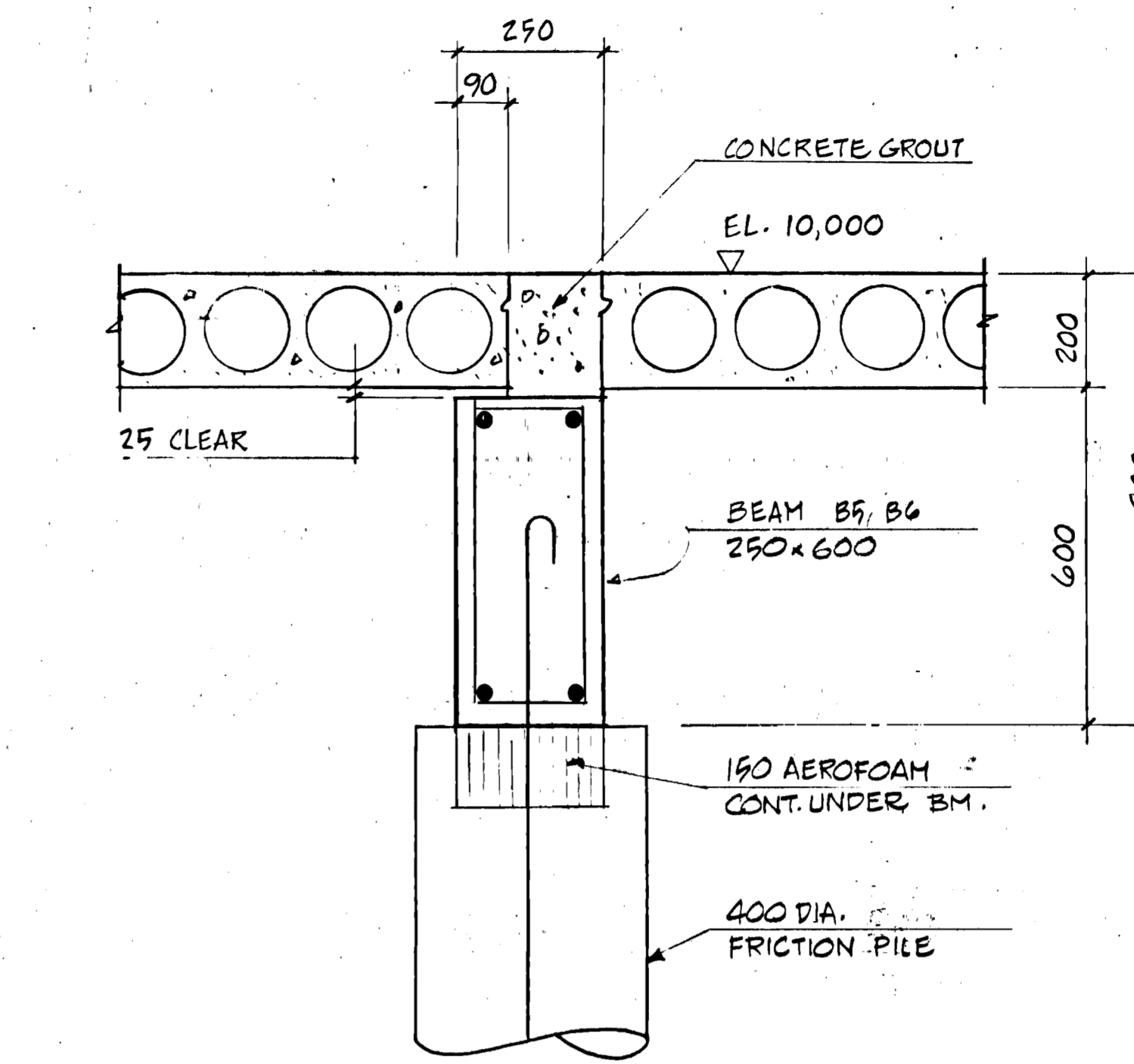
1 SECTION - BEAM SUPPORTING H.C.
SCALE 1:10



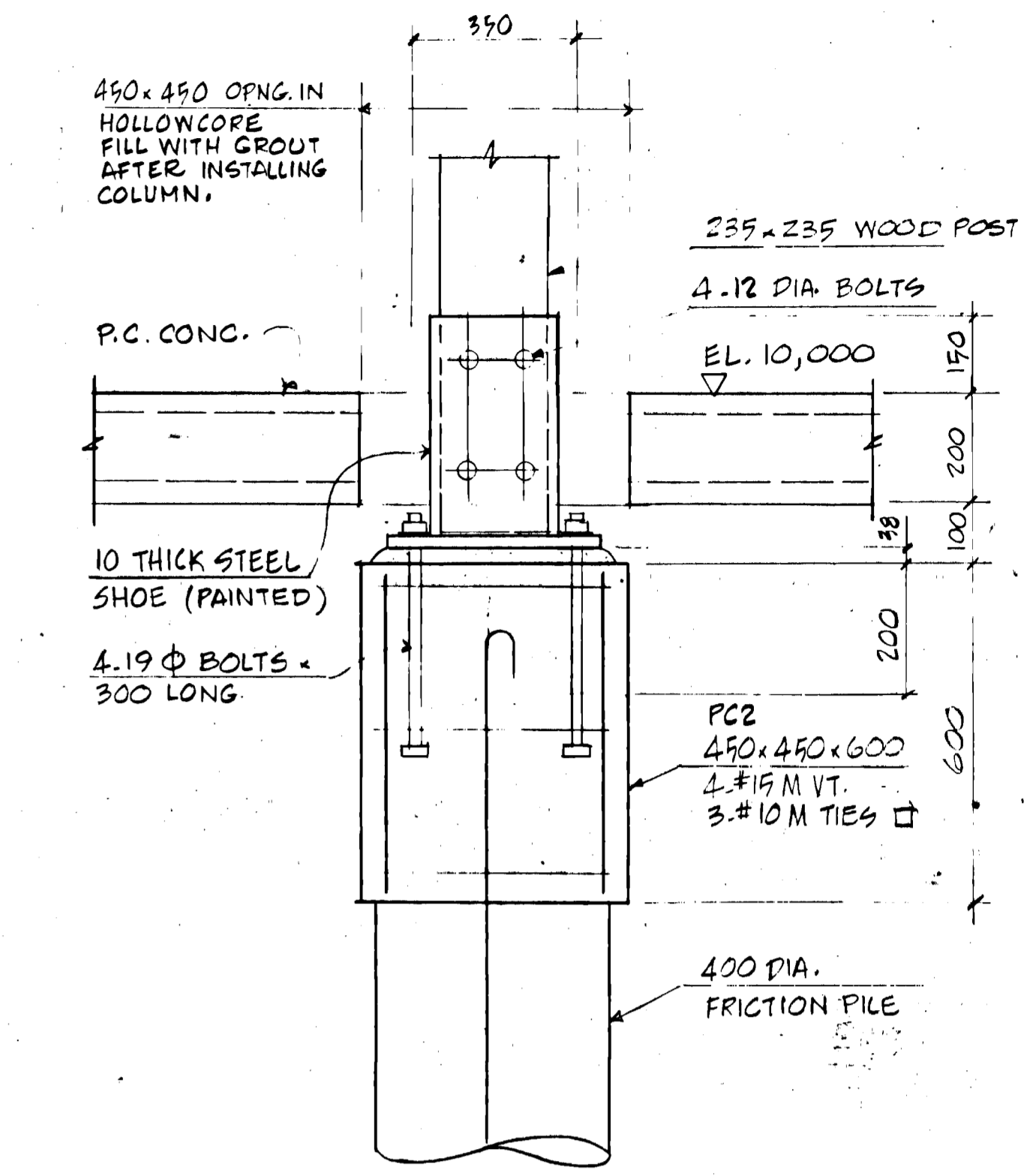
2 SECTION - BEAM PARALLEL TO H.C.
SCALE 1:10



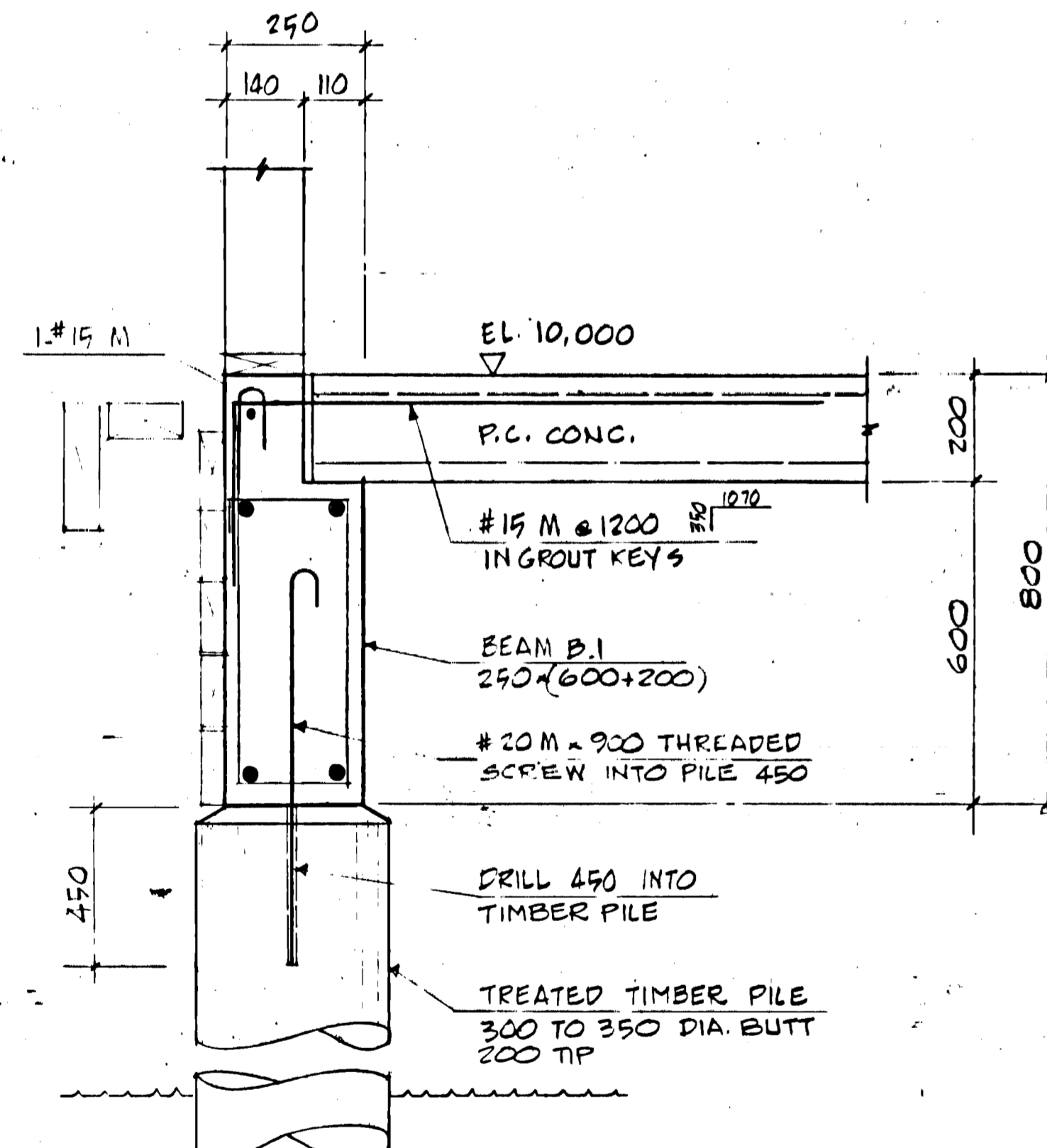
3 INTERIOR BEAM - SUPPORTING H.C.
SCALE 1:10



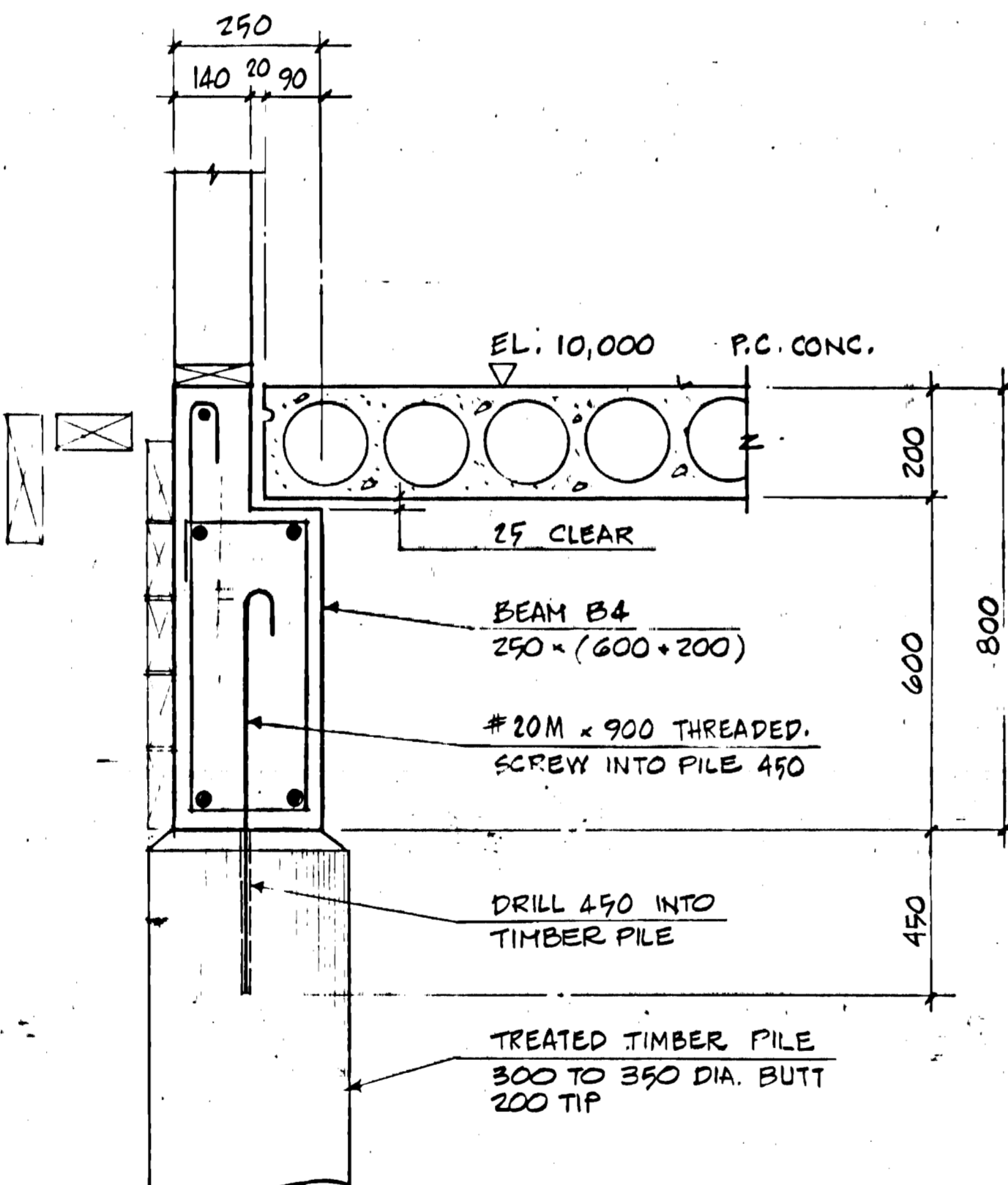
4 INTERIOR BEAM - PARALLEL TO H.C.
SCALE 1:10



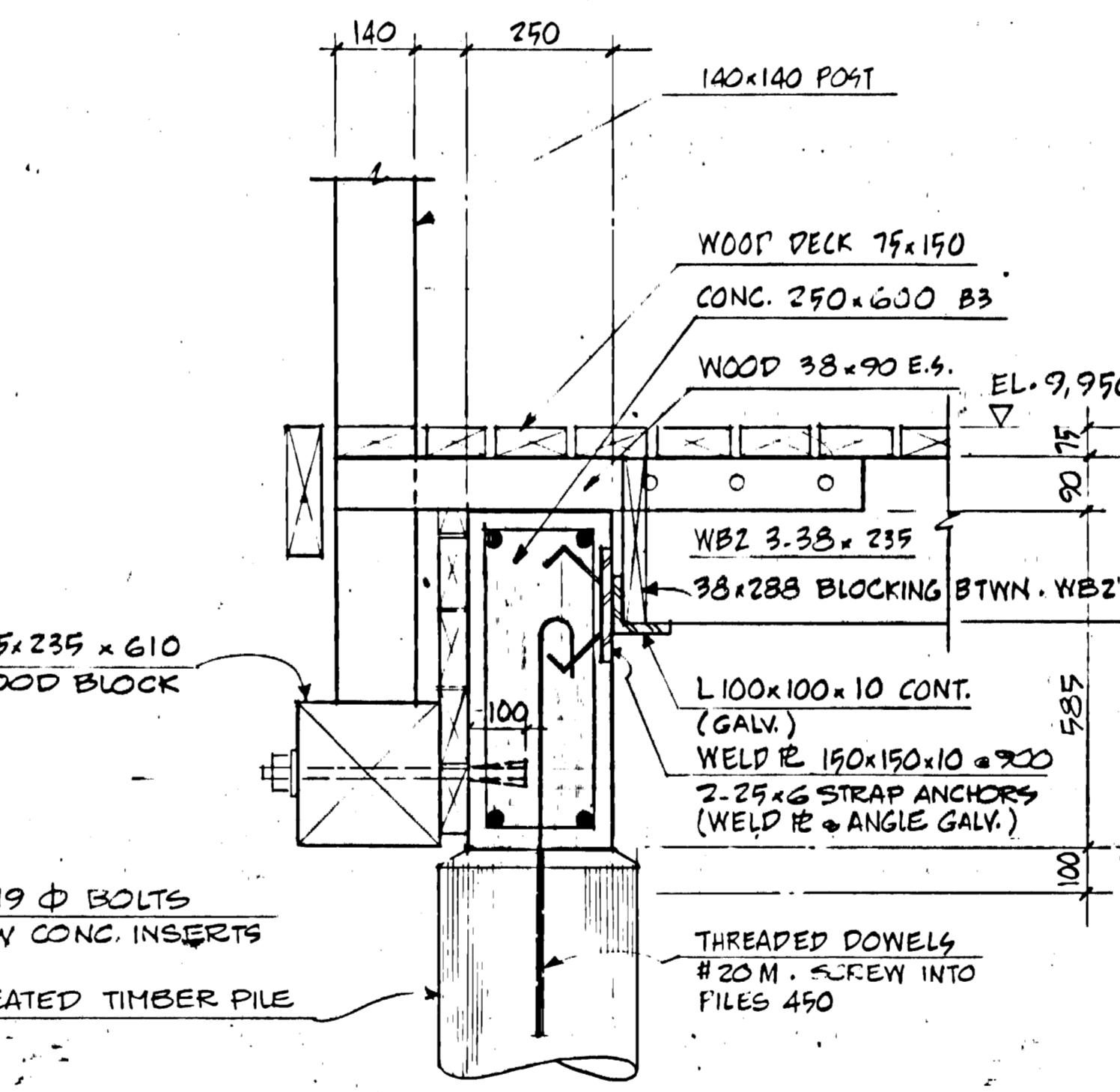
5 INTERIOR PILE / POST DETAIL
SCALE 1:10



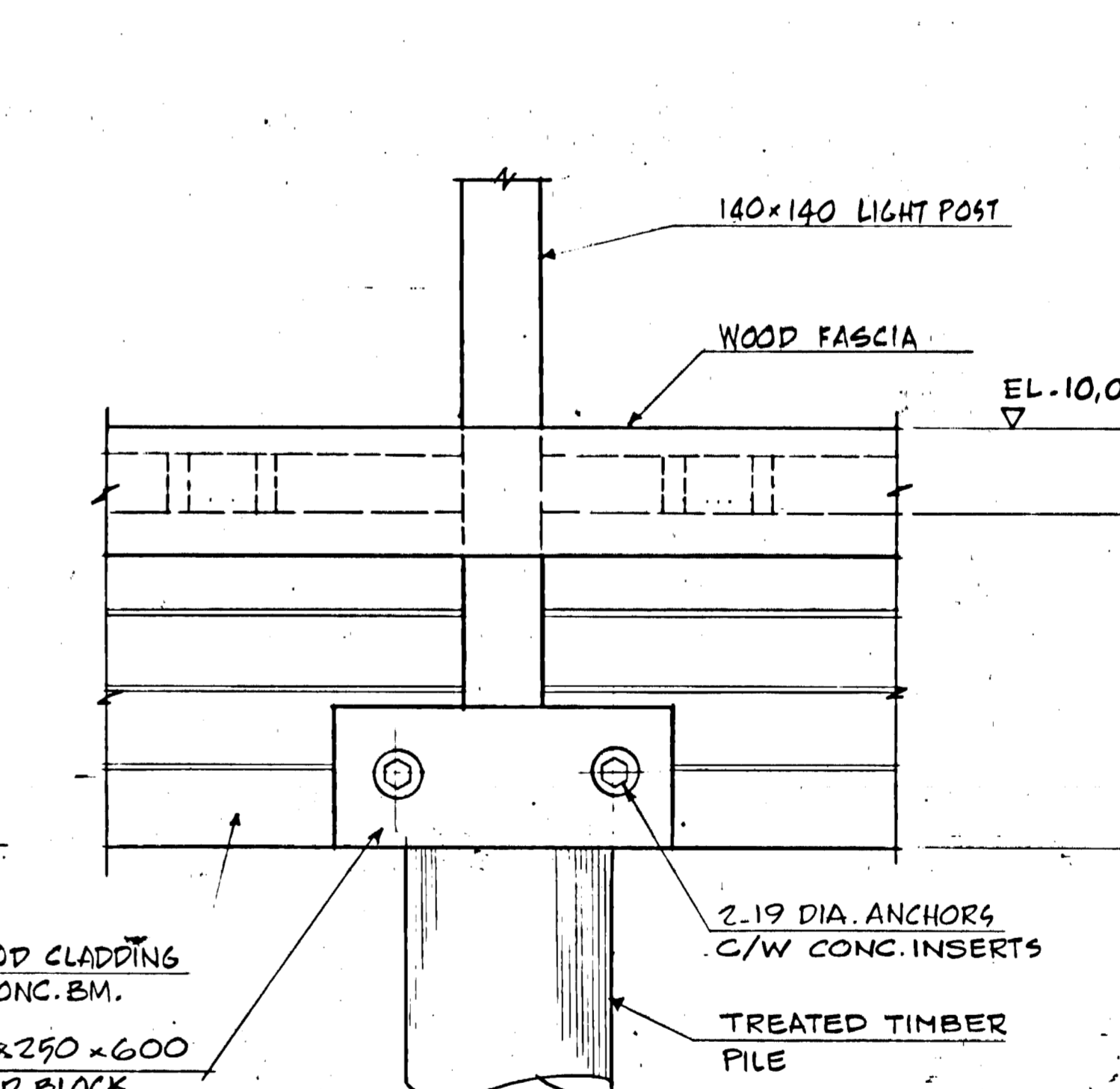
6 SECTION - RESTAURANT
SCALE 1:10



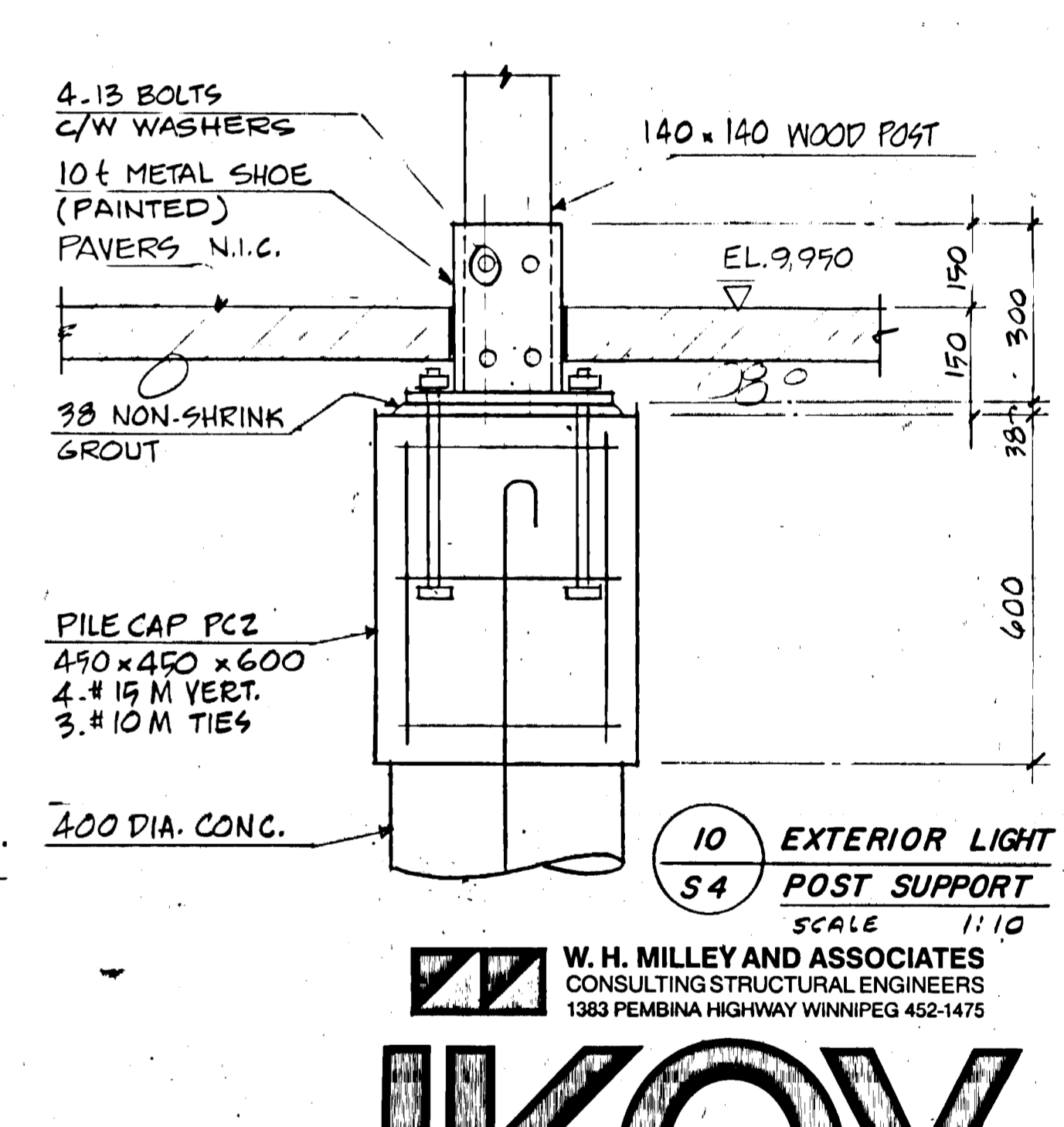
7 SECTION - RESTAURANT
SCALE 1:10



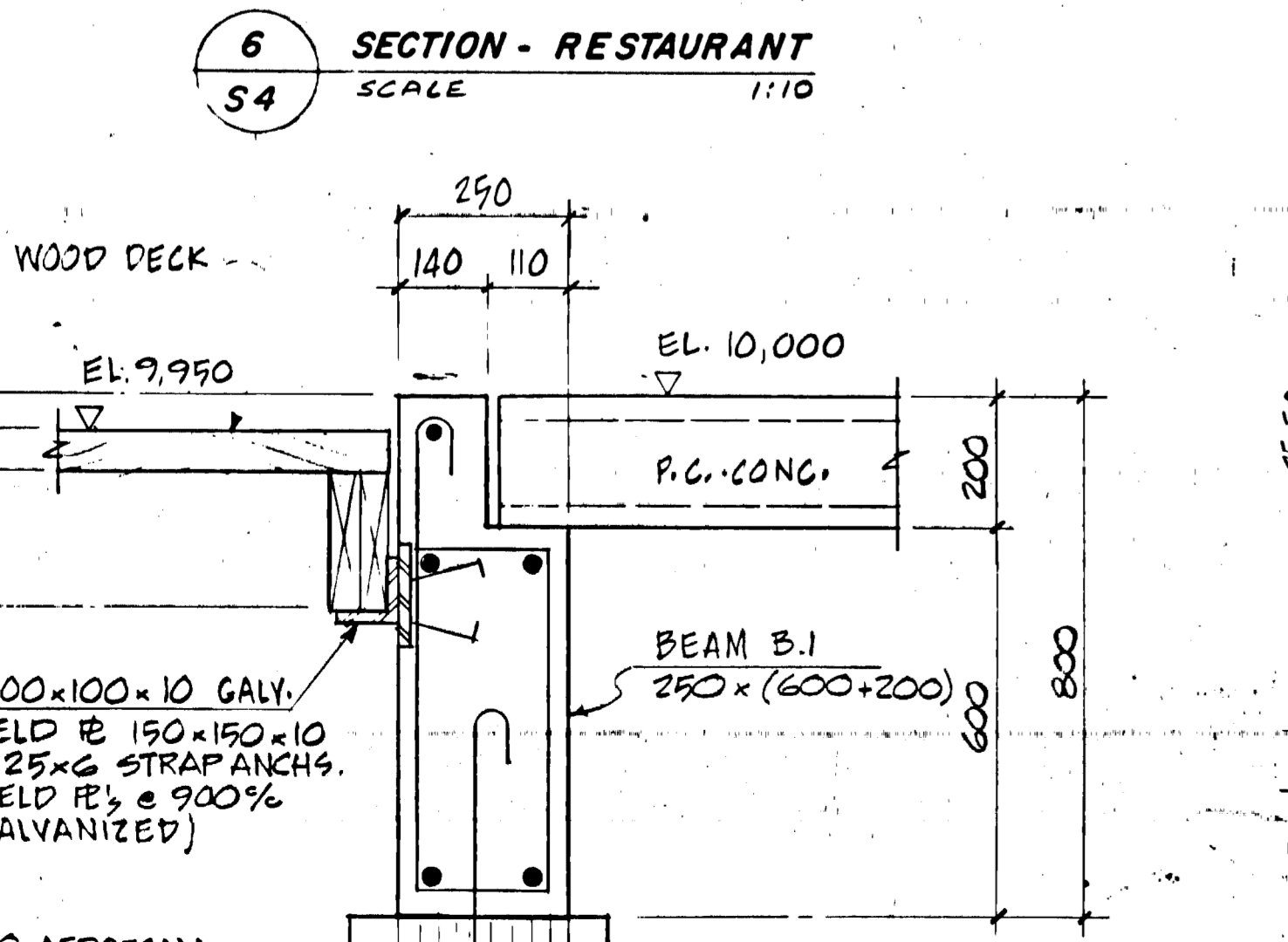
8 SECTION AT DINING DECK
SCALE 1:10



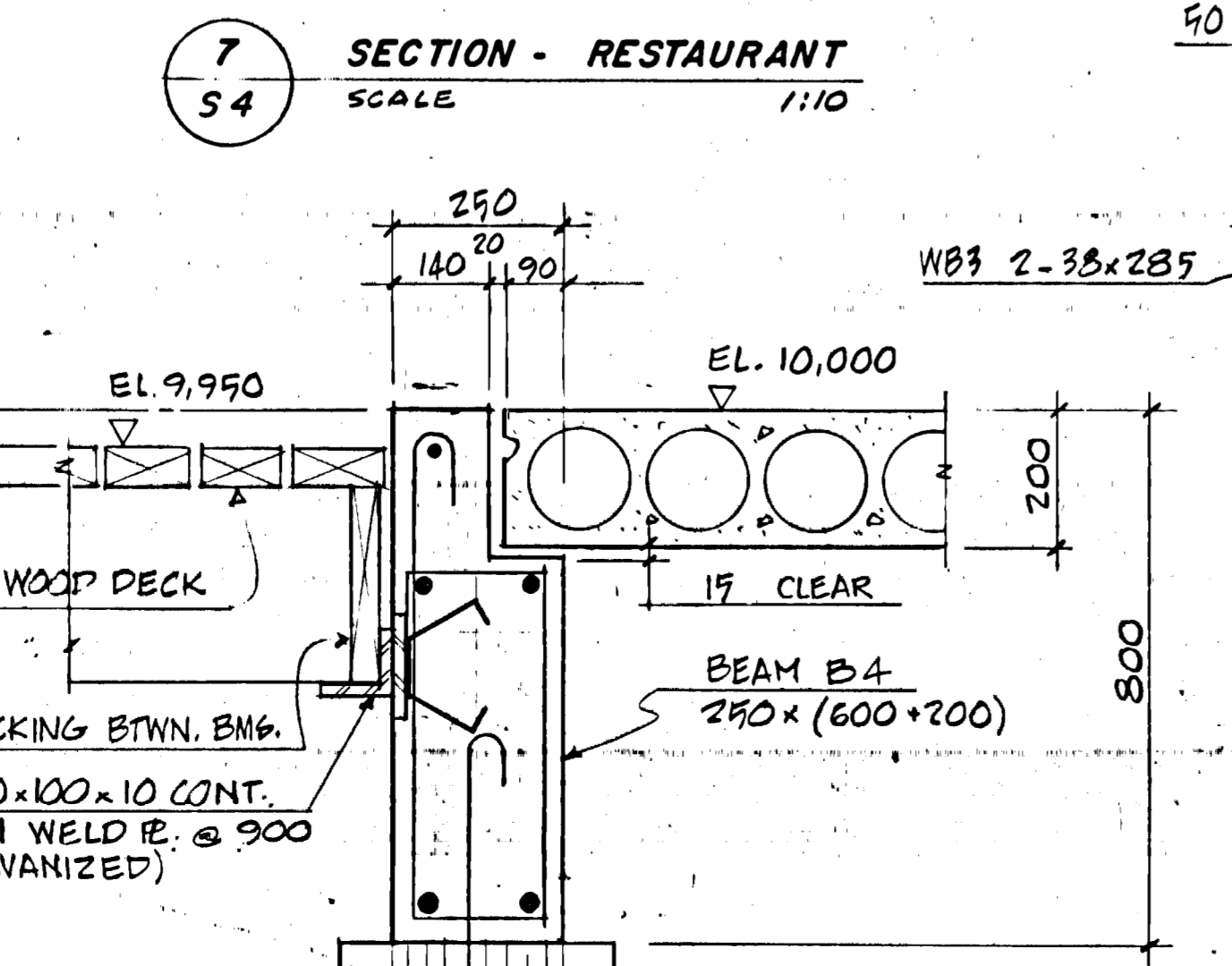
9 LIGHT POST SUPPORT DETAIL
SCALE 1:10



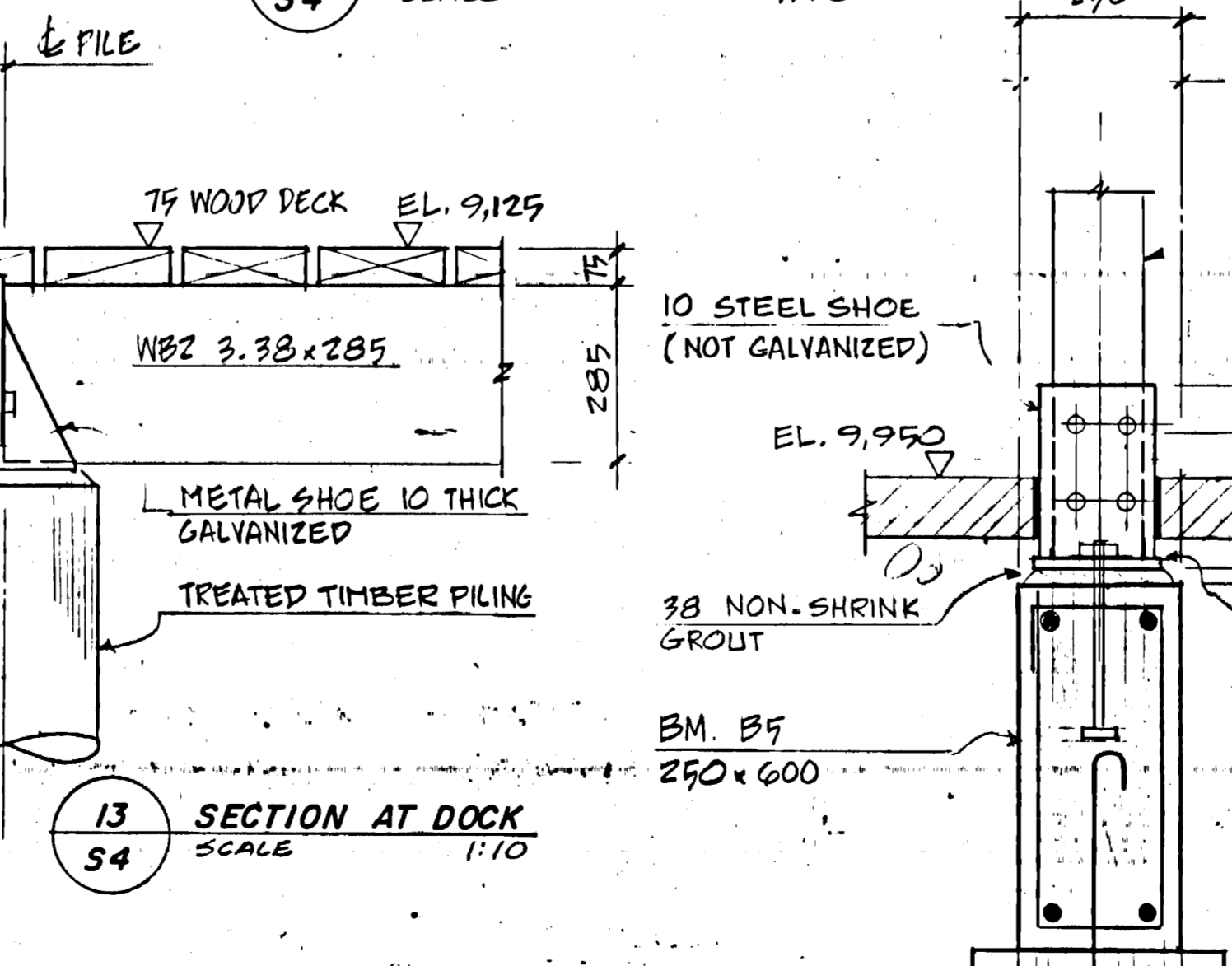
10 EXTERIOR LIGHT POST SUPPORT
SCALE 1:10



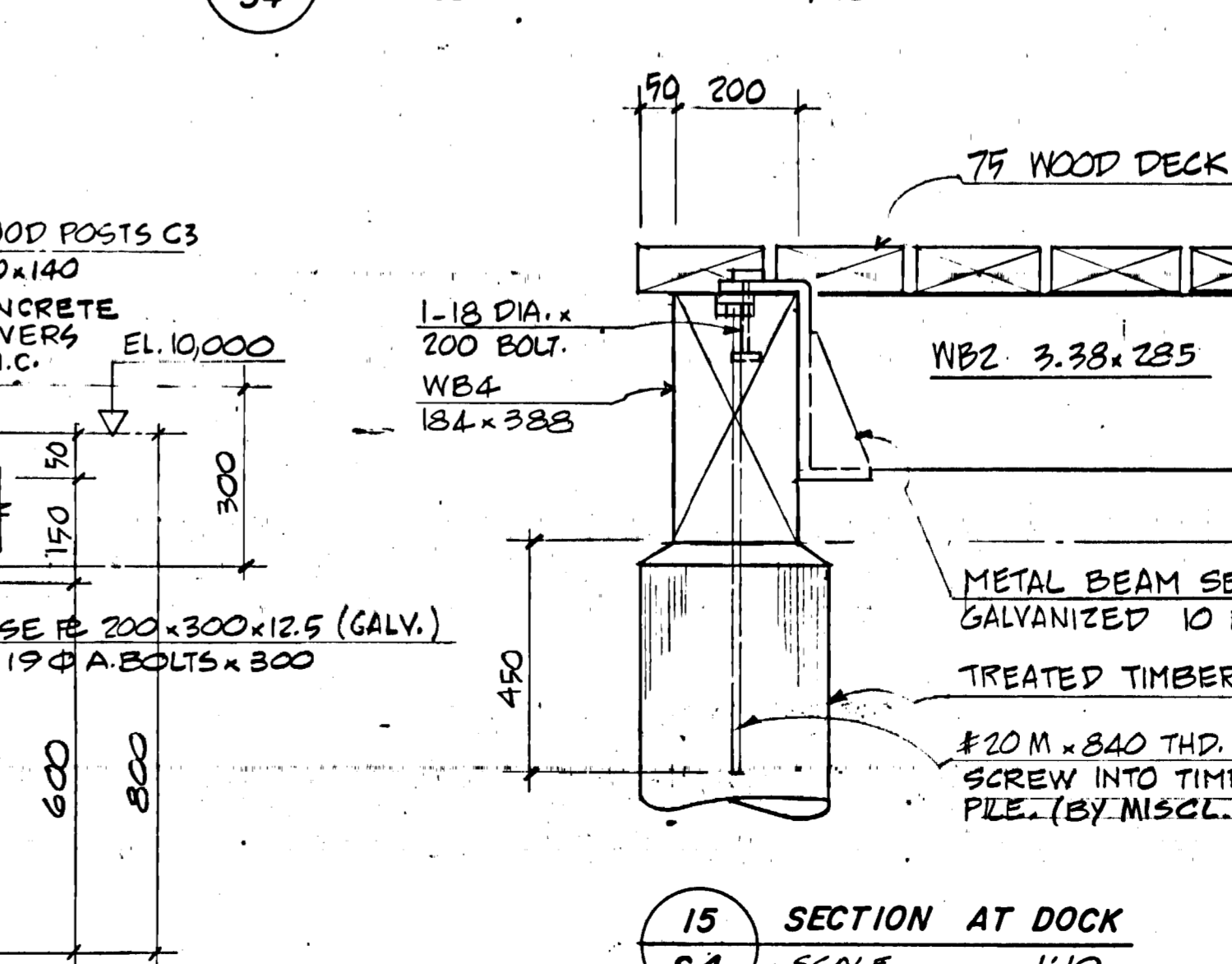
11 SECTION - DINING DECK
SCALE 1:10



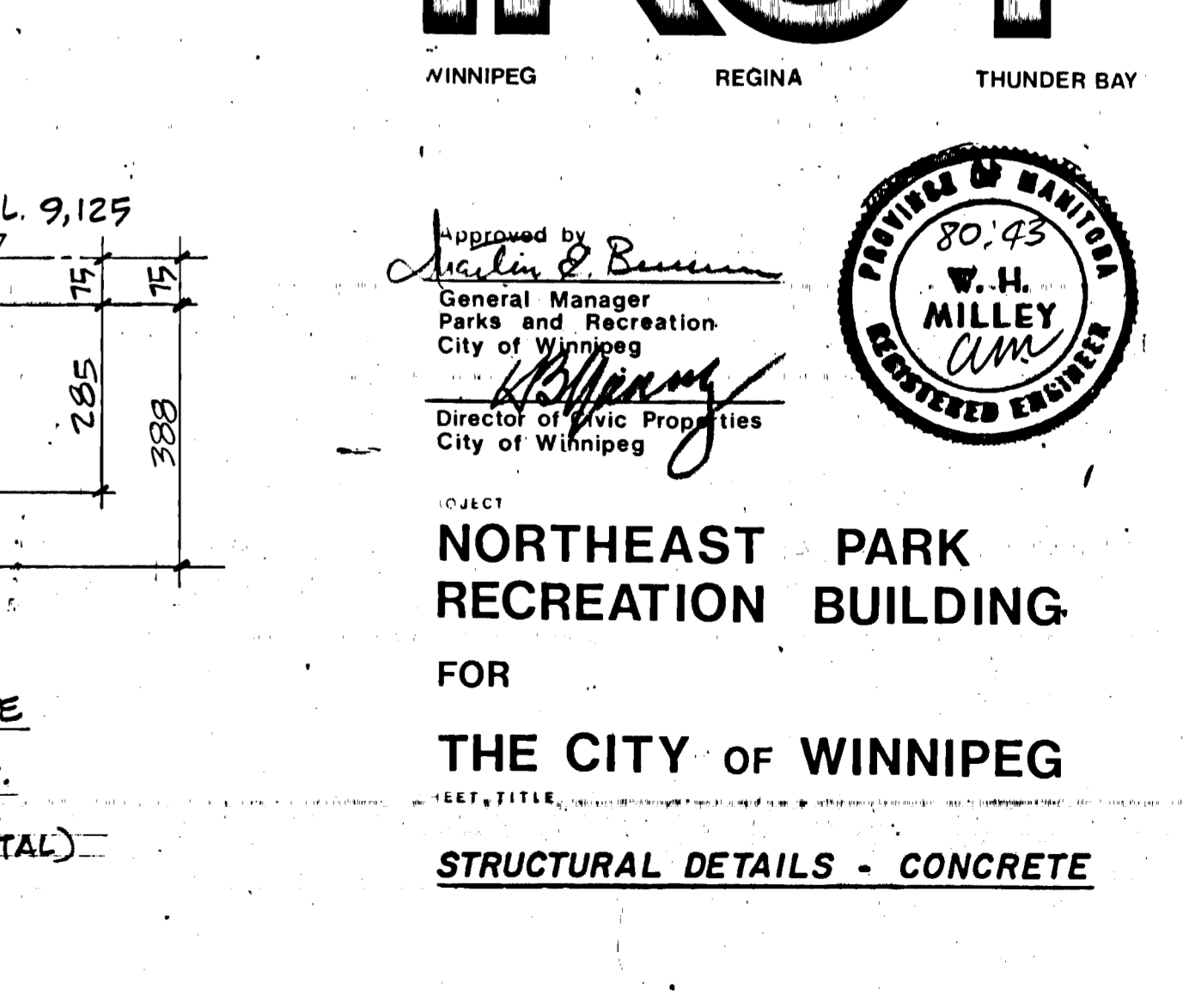
12 SECTION - DINING DECK
SCALE 1:10



13 SECTION AT DOCK
SCALE 1:10

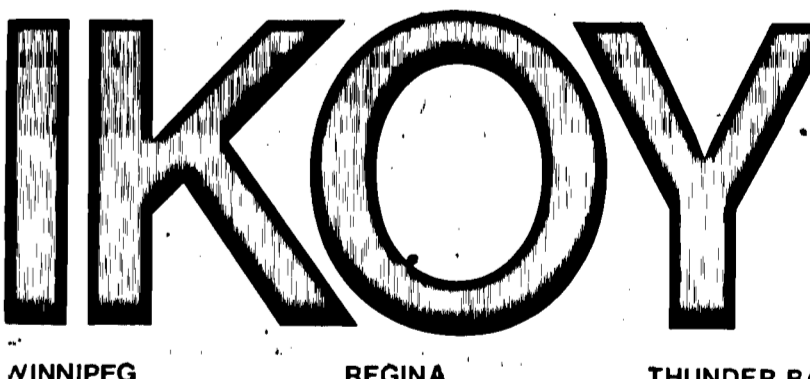


14 SECTION - ENCLOSED WALKWAY BEAM
SCALE 1:10



15 SECTION AT DOCK
SCALE 1:10

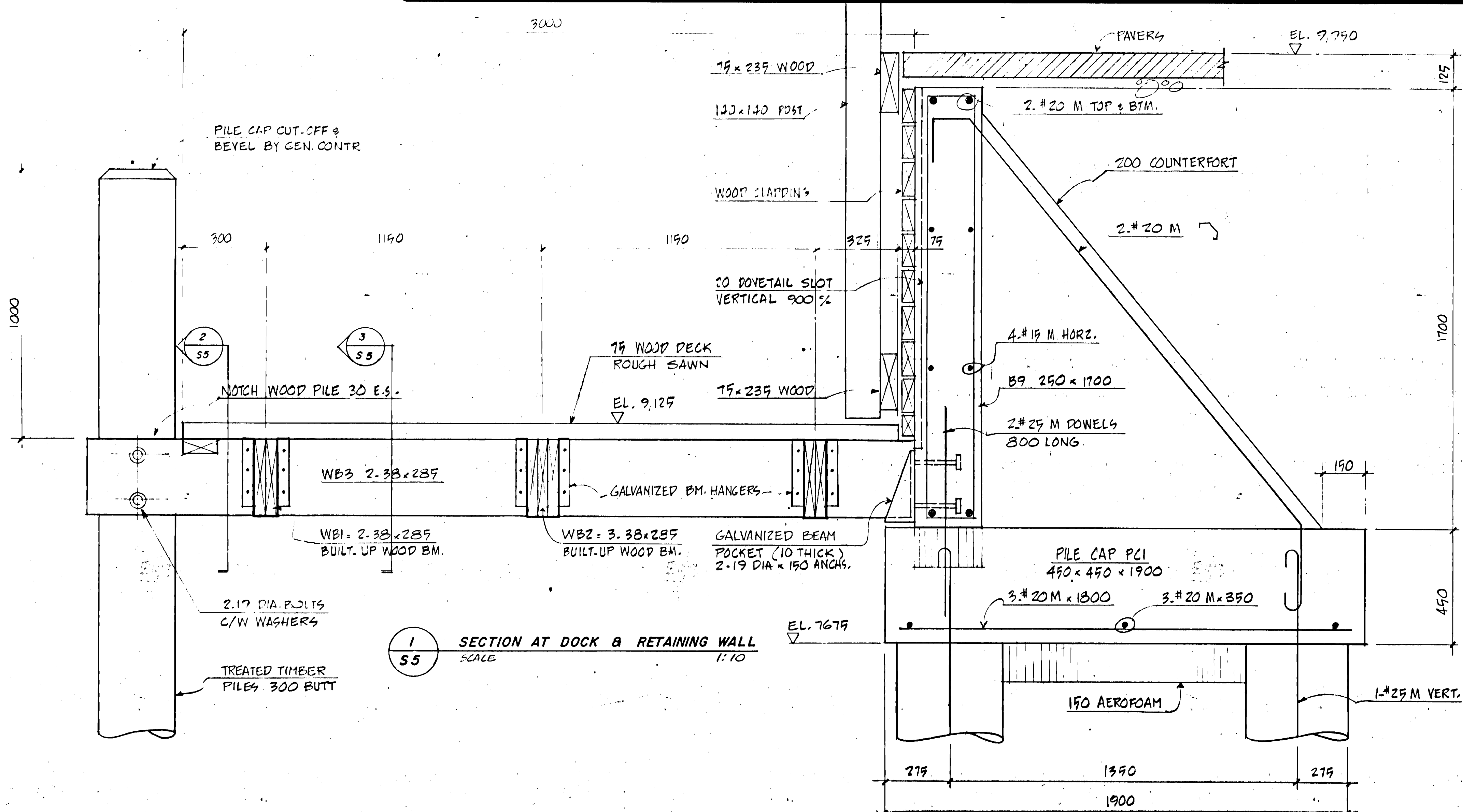
W. H. MILLEY AND ASSOCIATES
CONSULTING STRUCTURAL ENGINEERS
1383 PEMBINA HIGHWAY WINNIPEG 452-1475



Approved by
General Manager
Parks and Recreation
City of Winnipeg
Director of Civic Properties
City of Winnipeg

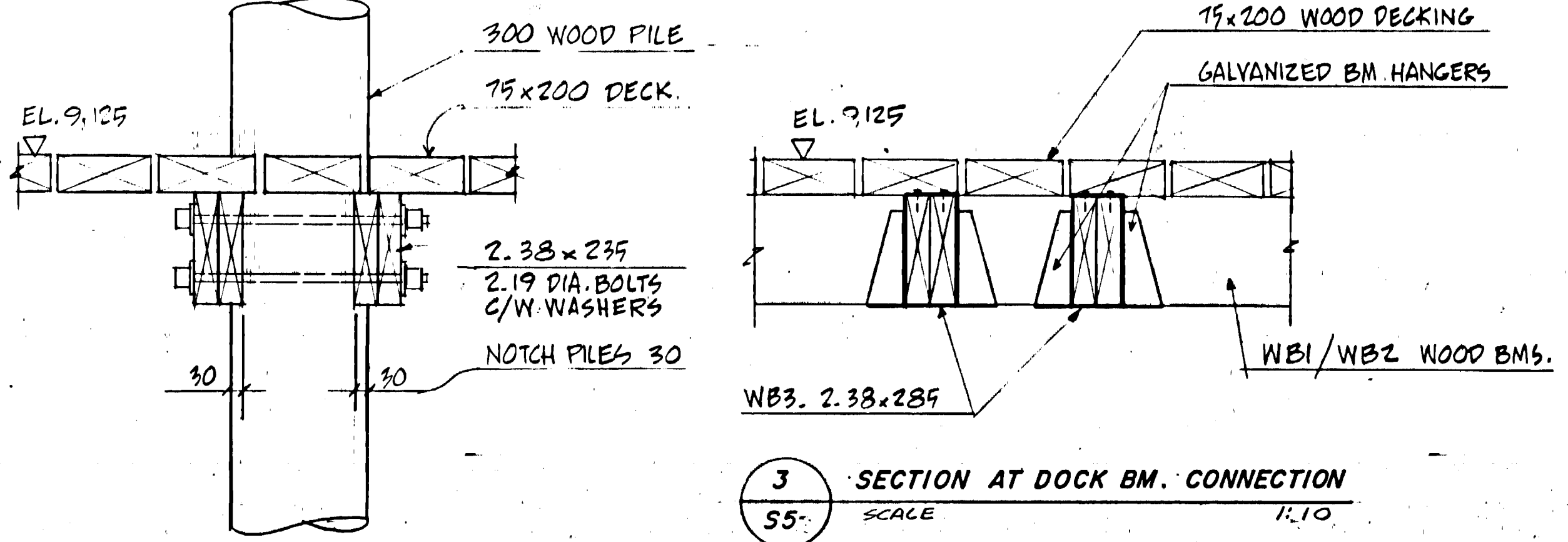
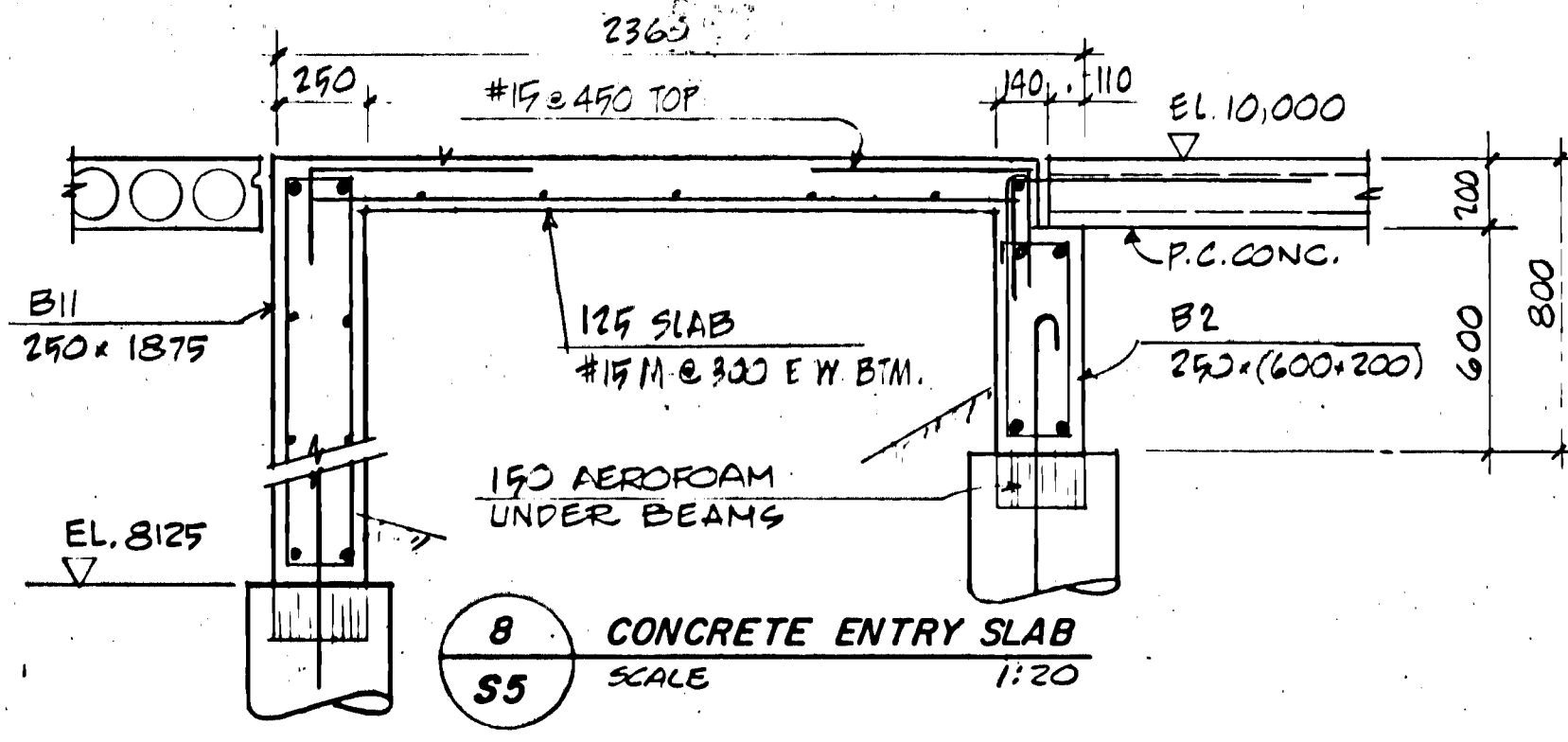
NORTHEAST PARK
RECREATION BUILDING
FOR
THE CITY OF WINNIPEG
STRUCTURAL DETAILS - CONCRETE

DRAWN BY K.D.
CHECKED W.H.M.
DATE DEC. 1980
FILE 80.43
SHEET NO. S-4

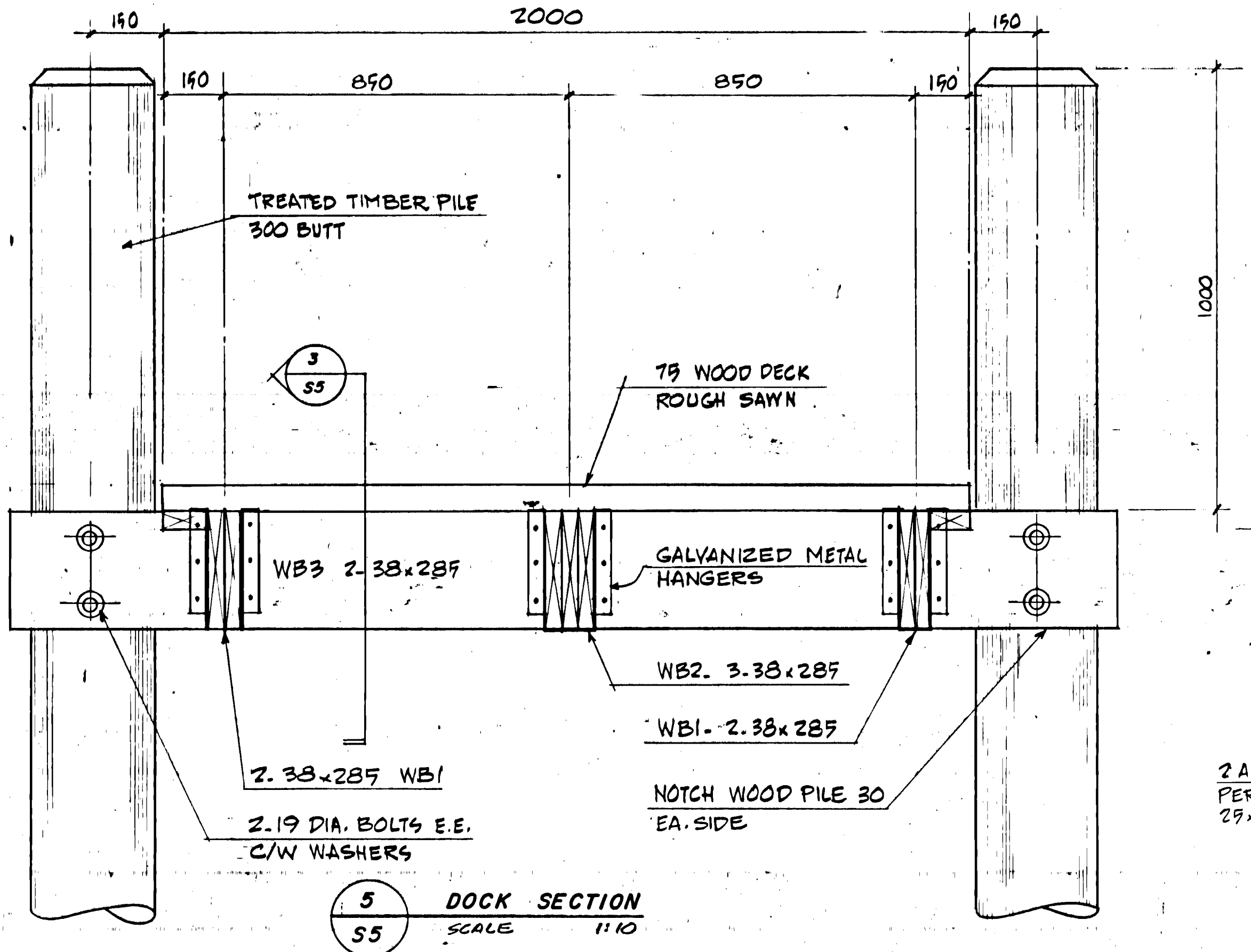


BEAM SCHEDULE (WOOD)		
MARK	SIZE	DETAIL
WB1	2.33 x 235 FIR	
WB2	3.33 x 235 FIR	
WB3	2.33 x 235 FIR	
WB4	1.184 x 383 FIR	
WB5	1.140 x 383 FIR	
WB		

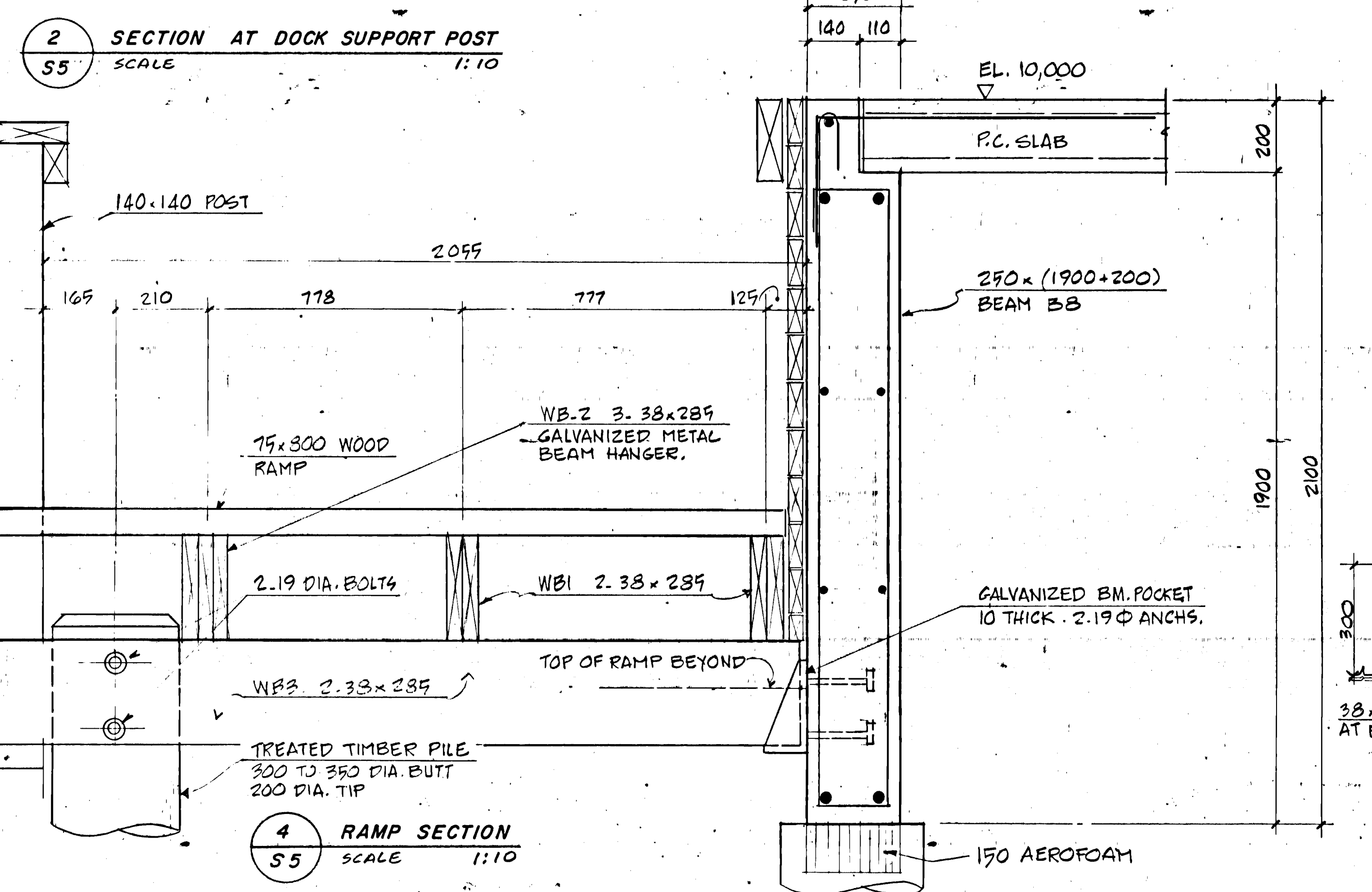
BEAM SCHEDULE (CONCRETE)		
MARK	DESCRIPTION	DETAIL
B1	250 x 1875 2#15M T&B #10M ST. @ 600% C	
B2	250 x (600+200) 1#20M T&B #10M ST. @ 600% C	
B3	250 x 575 2#20M T&B CONT. #10M ST. @ 600% C	
B4	250 x (600+200) 2#20M T&B #10M ST. @ 600% C	
B5	250 x 600 1#20M T&B #10M ST. @ 600% C	
B6	250 x 600 2#15M T&B #10M ST. @ 600% C	
B7	250 x 800 2#15M T&B 2#20M BTM. #10M ST. @ 600% C	
B8	250 x (1900+200) 2#20M T&B 4#19M HZ. #10M ST. @ 600% C	
B9	250 x 1700 2#20M T&B 4#19M HZ. #10M ST. @ 600% C	
B10	250 x (1900+200) 2#20M T&B 4#19M HZ. #10M ST. @ 600% C	
B11	250 x 1875 2#20M T&B 4#19M HZ. #10M ST. @ 600% C	



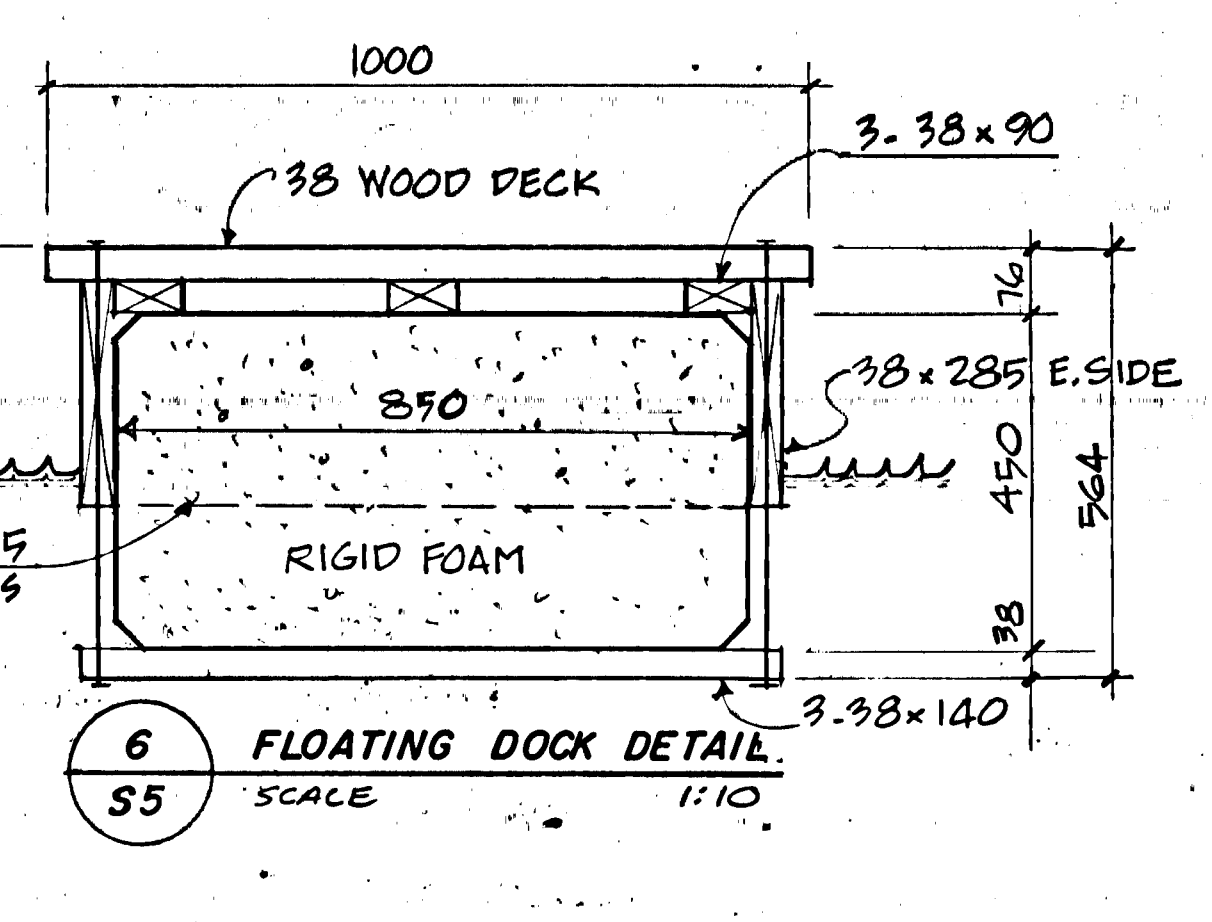
SECTION AT DOCK BM. CONNECTION
SCALE 1:10



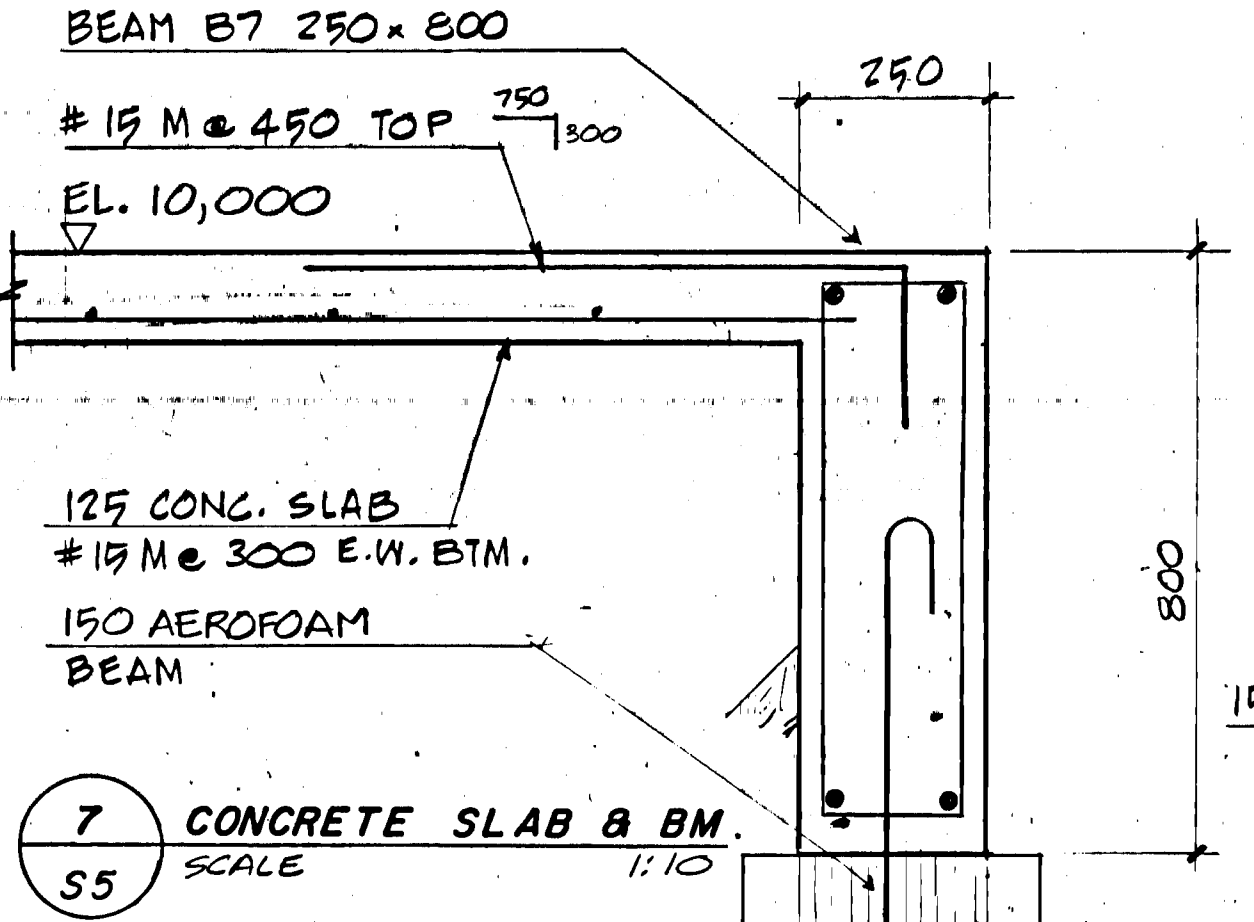
DOCK SECTION
SCALE 1:10



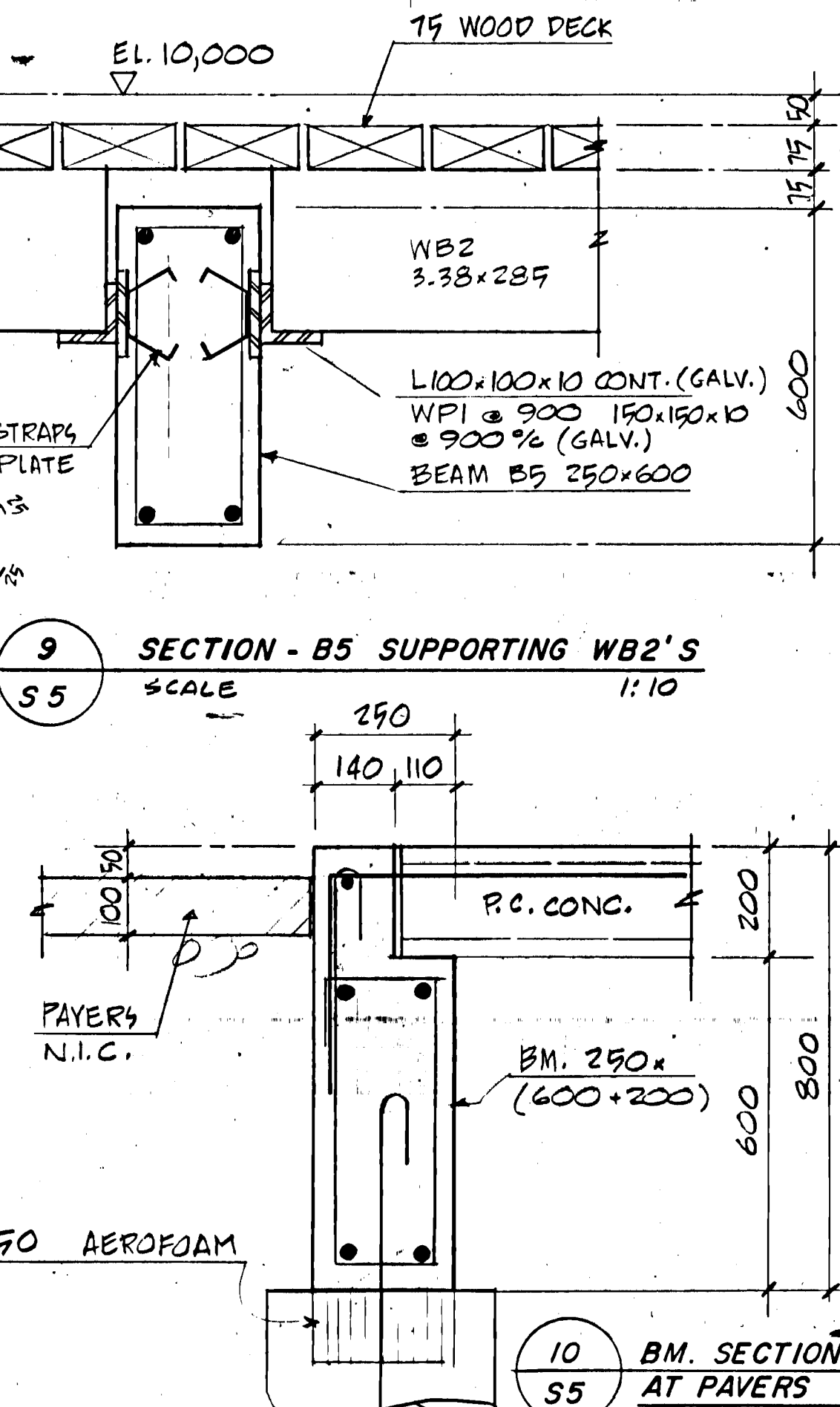
RAMP SECTION
SCALE 1:10



FLOATING DOCK DETAIL
SCALE 1:10



CONCRETE SLAB & BM.
SCALE 1:10



SECTION - B5 SUPPORTING WB2'S
SCALE 1:10

A6-BUILT DRAWING 15 APRIL 1982

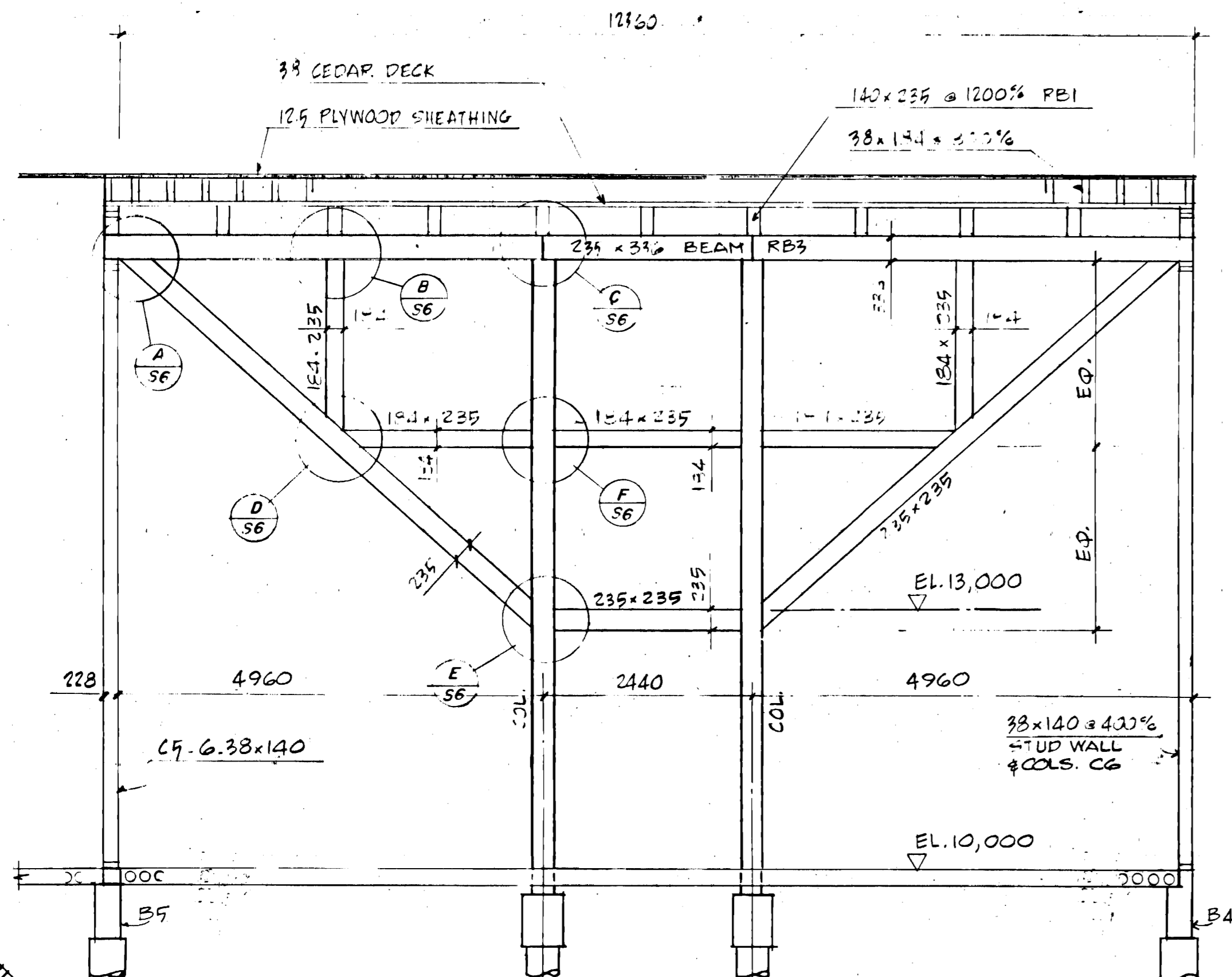
W. H. MILLEY AND ASSOCIATES
CONSULTING STRUCTURAL ENGINEERS
1383 PEMBINA HIGHWAY WINNIPEG 452-1475



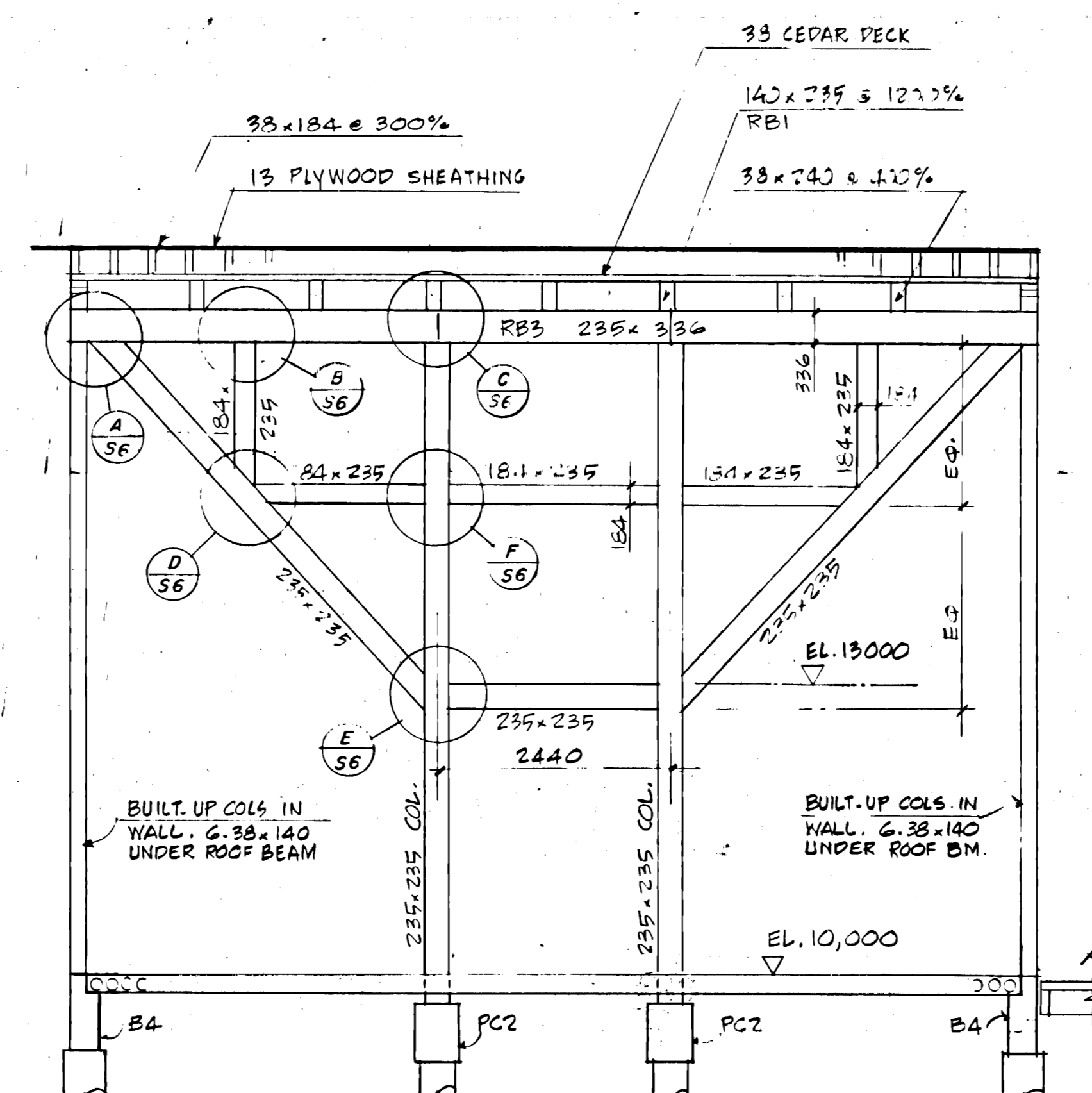
Approved by
General Manager
Parks and Recreation
City of Winnipeg
Director of Civic Properties
City of Winnipeg

NORTHEAST PARK
RECREATION BUILDING
FOR
THE CITY OF WINNIPEG
SCHEDULES & DOCK DETAILS

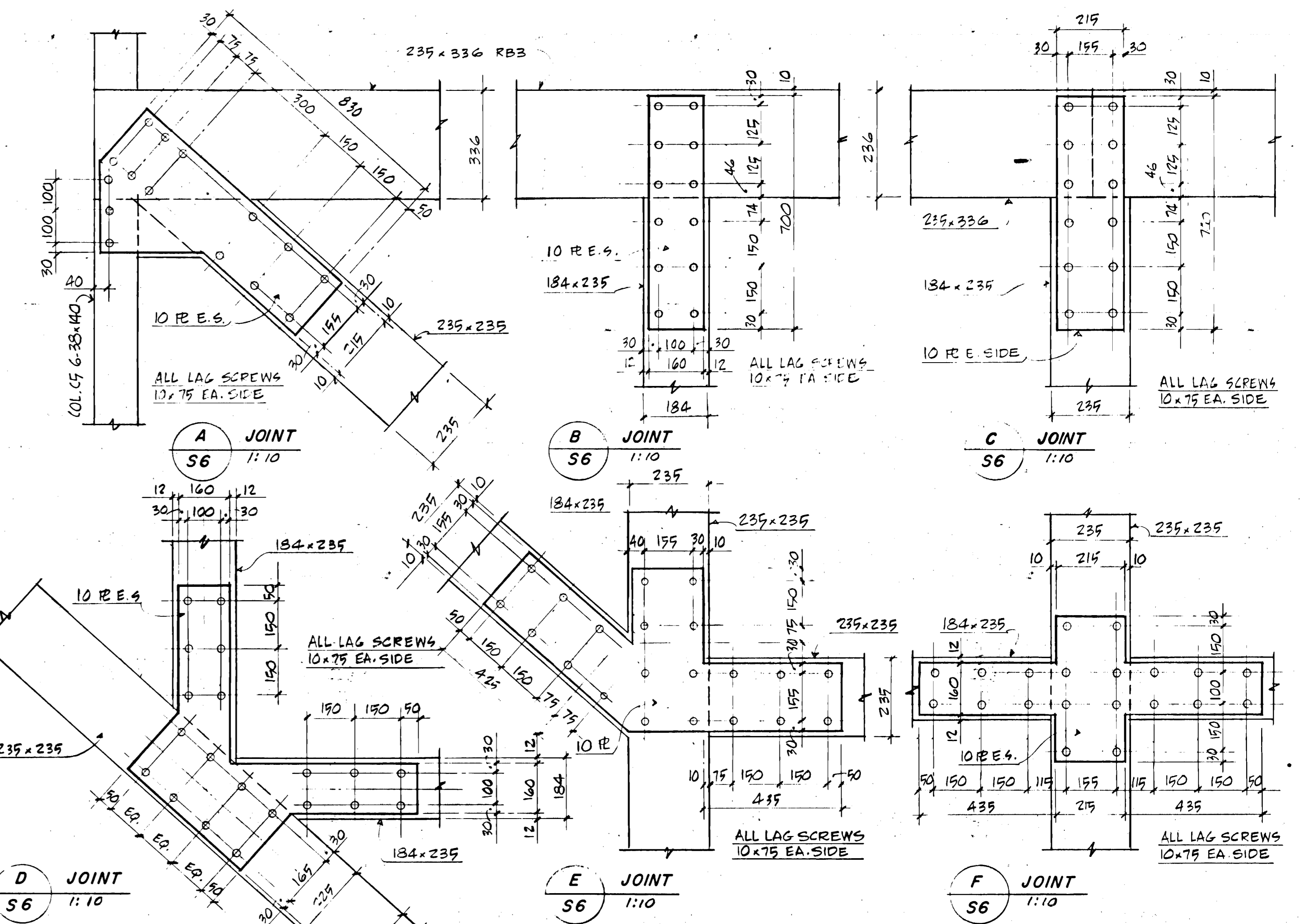
DRAWN BY: K.D. DATE: DEC. 1980 SHEET NO: S-5
CHECKED BY: WAM FILE: 80.43



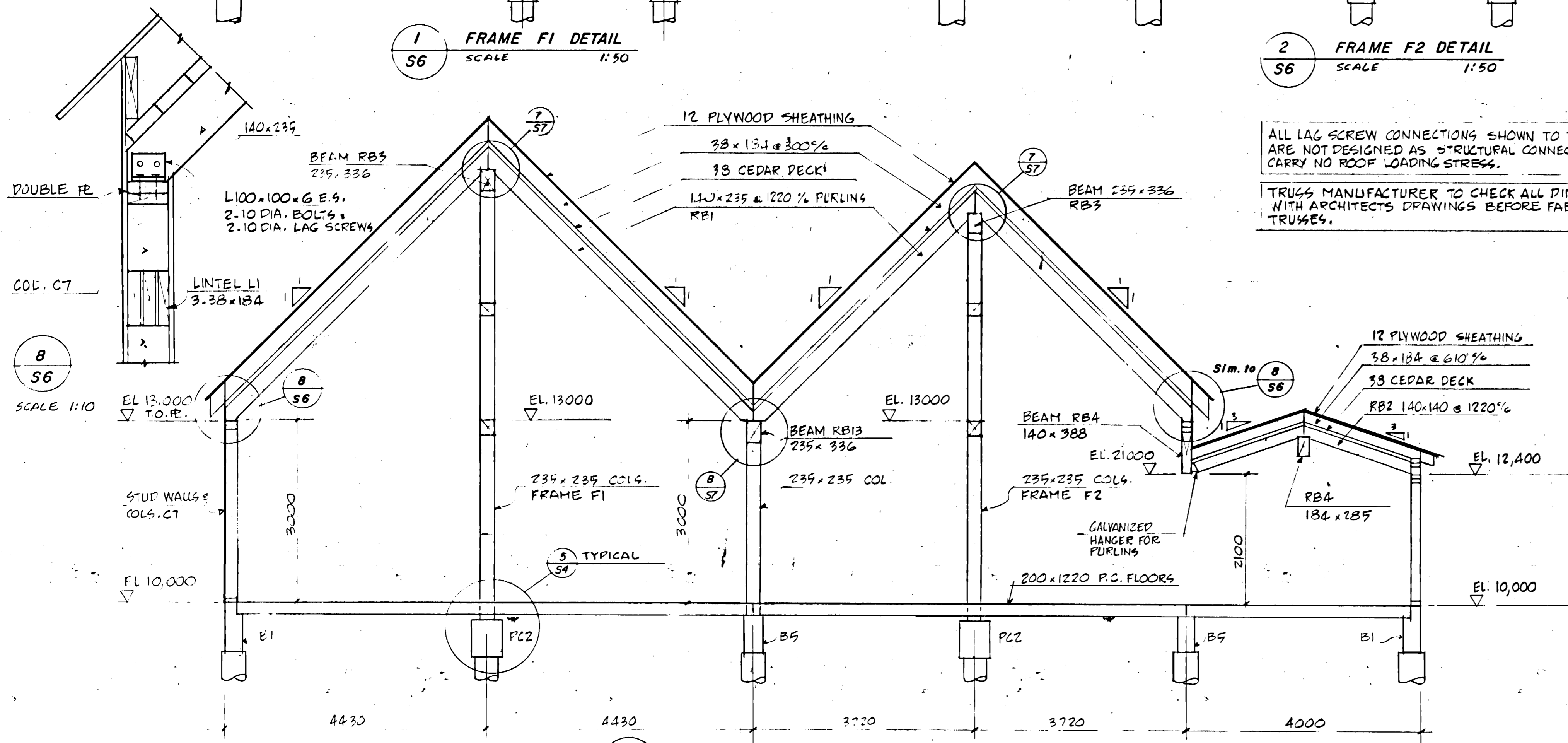
1 FRAME F1 DETAIL
SCALE 1:50



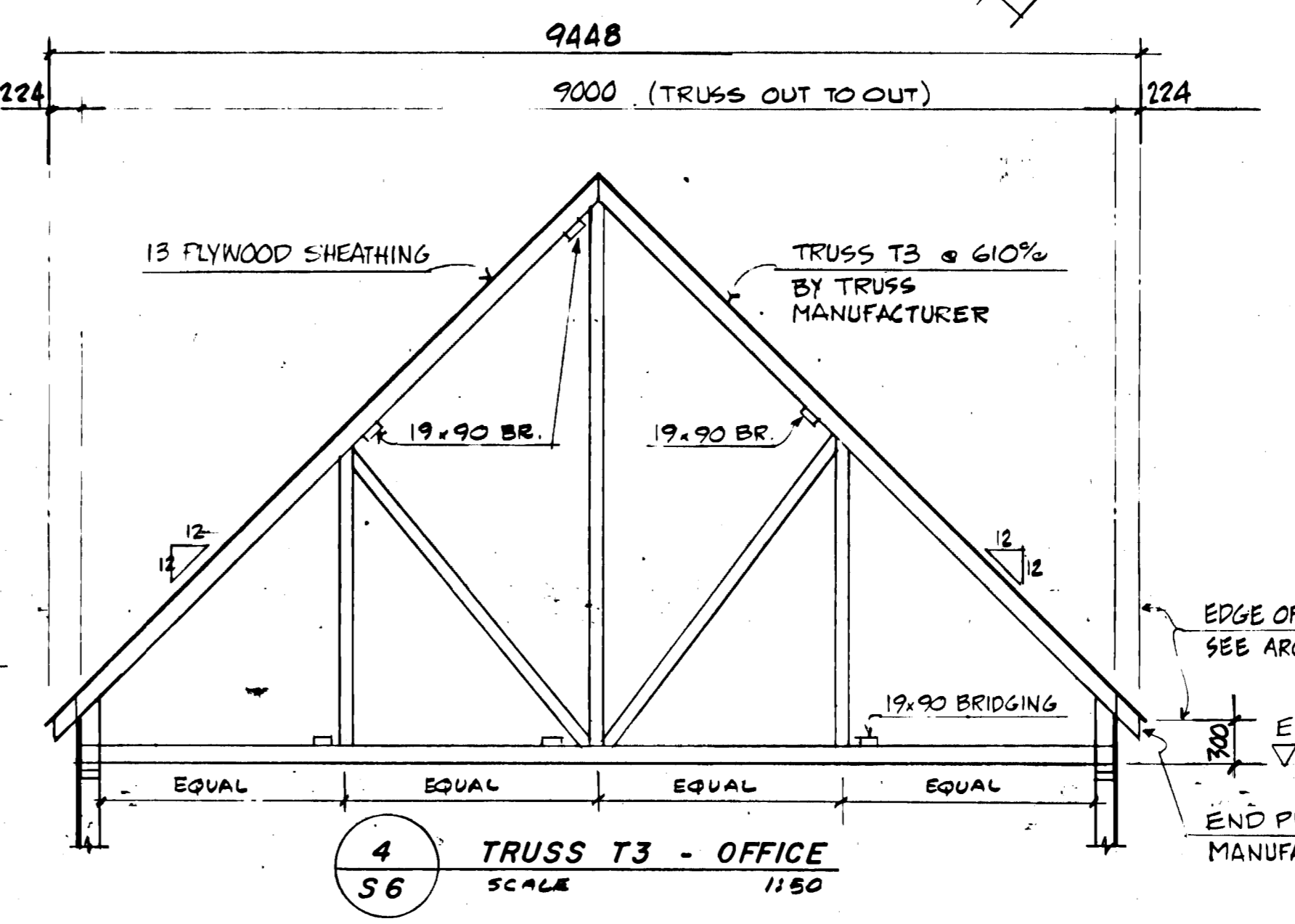
2 FRAME F2 DETAIL
SCALE 1:50



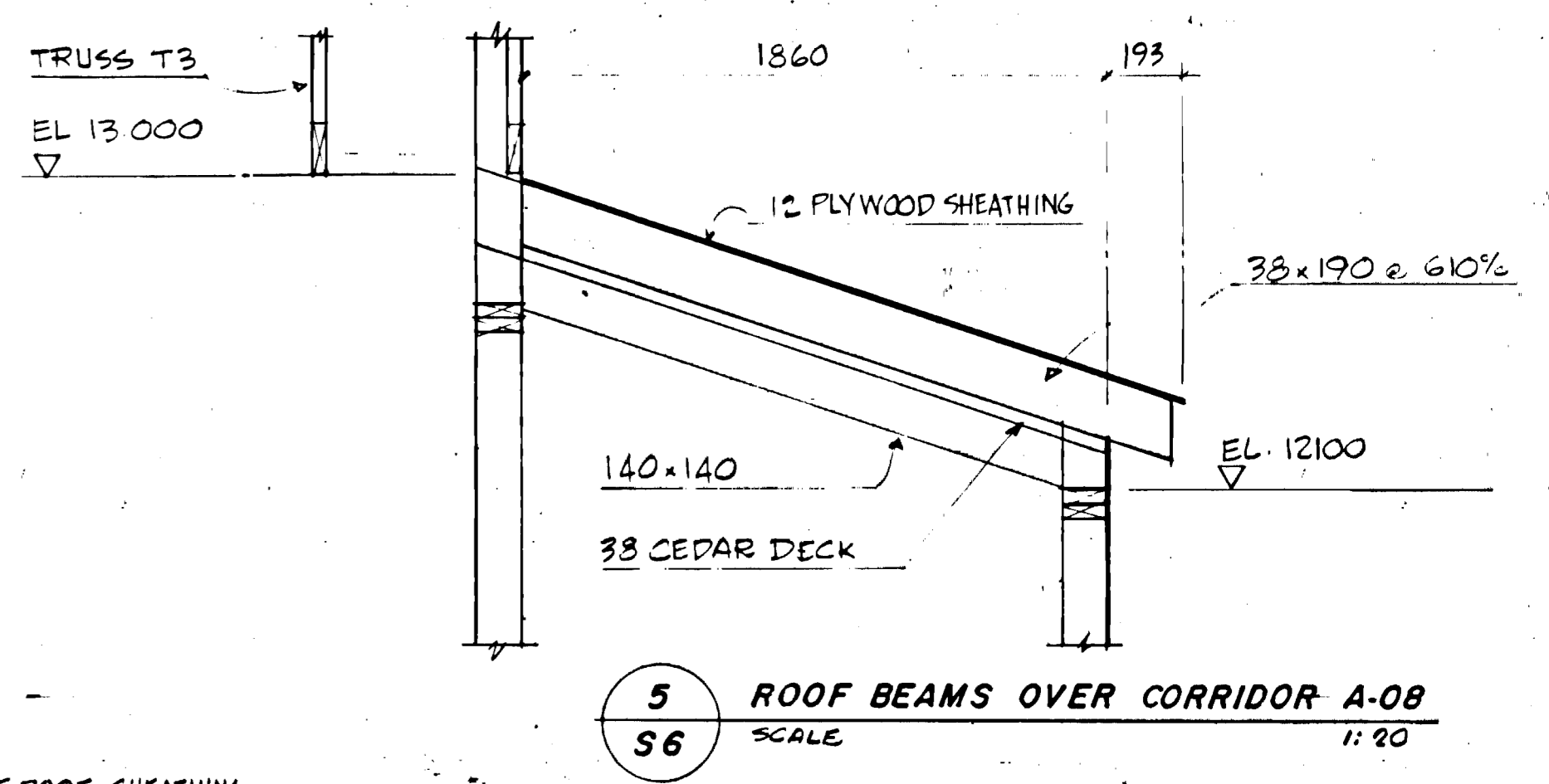
ALL LAG SCREW CONNECTIONS SHOWN TO THE RIGHT ARE NOT DESIGNED AS STRUCTURAL CONNECTIONS AND CARRY NO ROOF LOADING STRESS. TRUSS MANUFACTURER TO CHECK ALL DIMENSIONS WITH ARCHITECT'S DRAWINGS BEFORE FABRICATING TRUSSES.



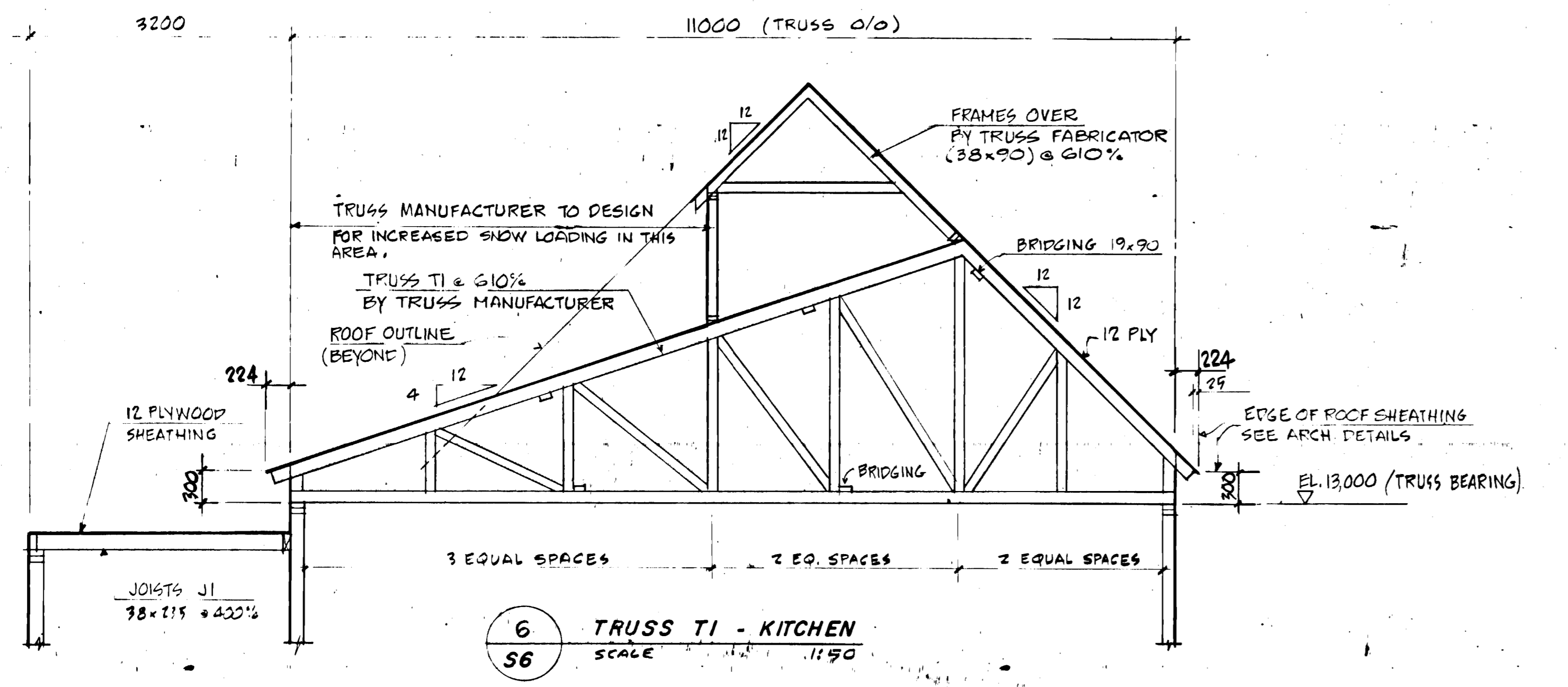
3 SECTION - ROOF - RESTAURANT & DINING ROOM
SCALE 1:50



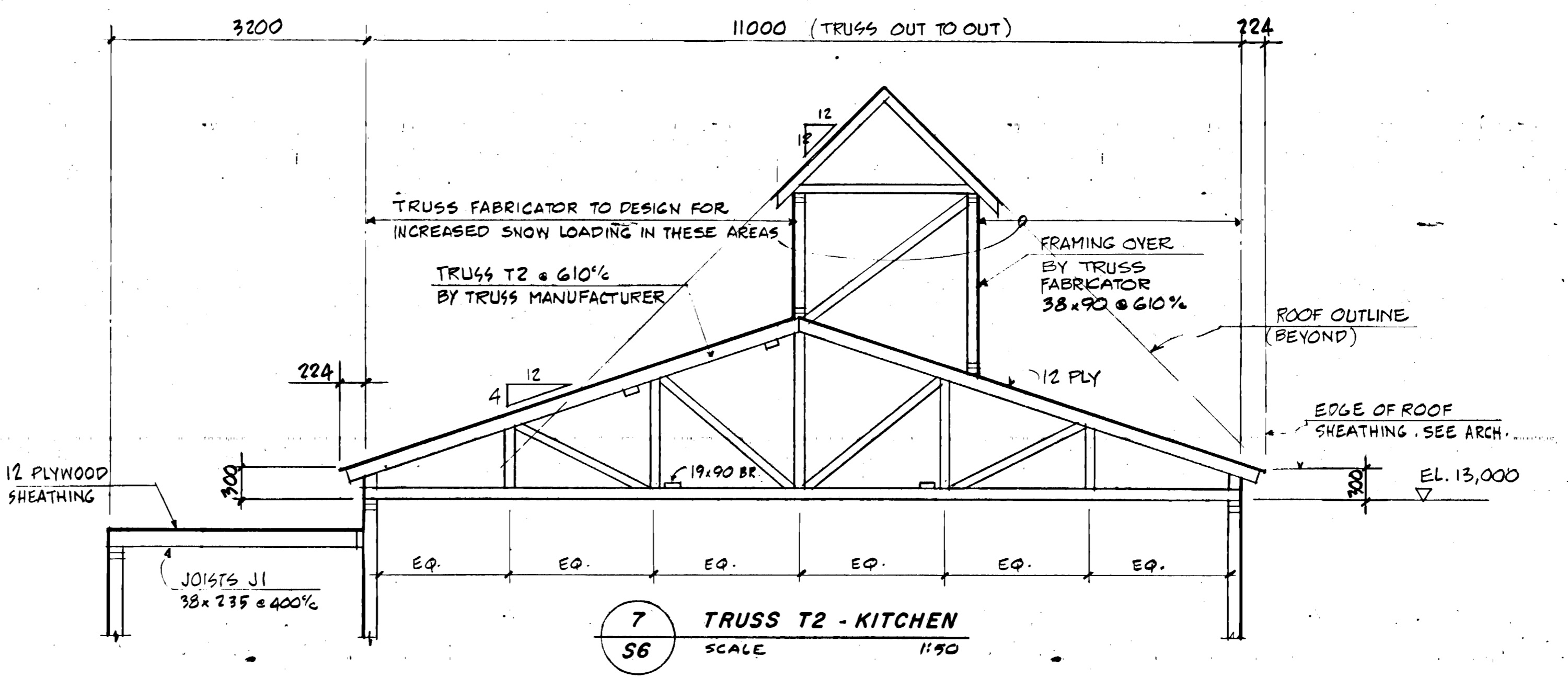
4 TRUSS T3 - OFFICE
SCALE 1:50



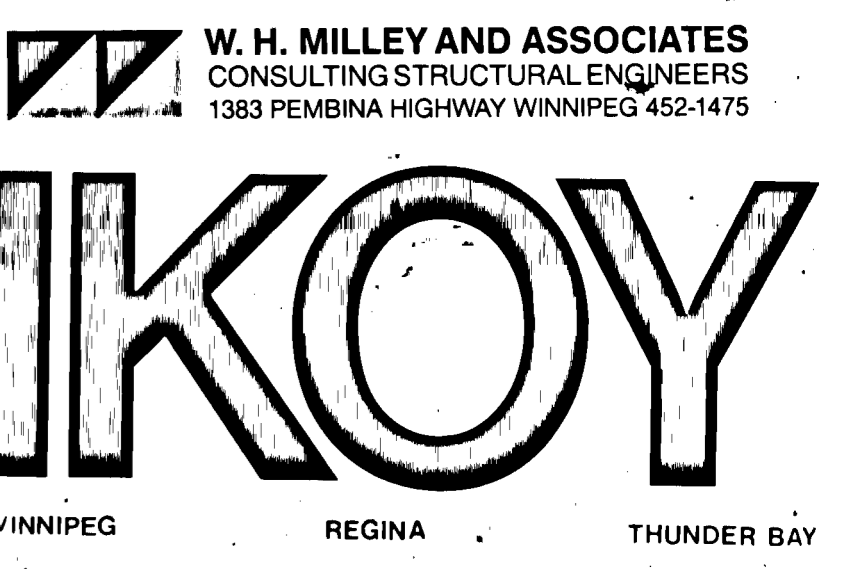
5 ROOF BEAMS OVER CORRIDOR A-08
SCALE 1:20



6 TRUSS T1 - KITCHEN
SCALE 1:50



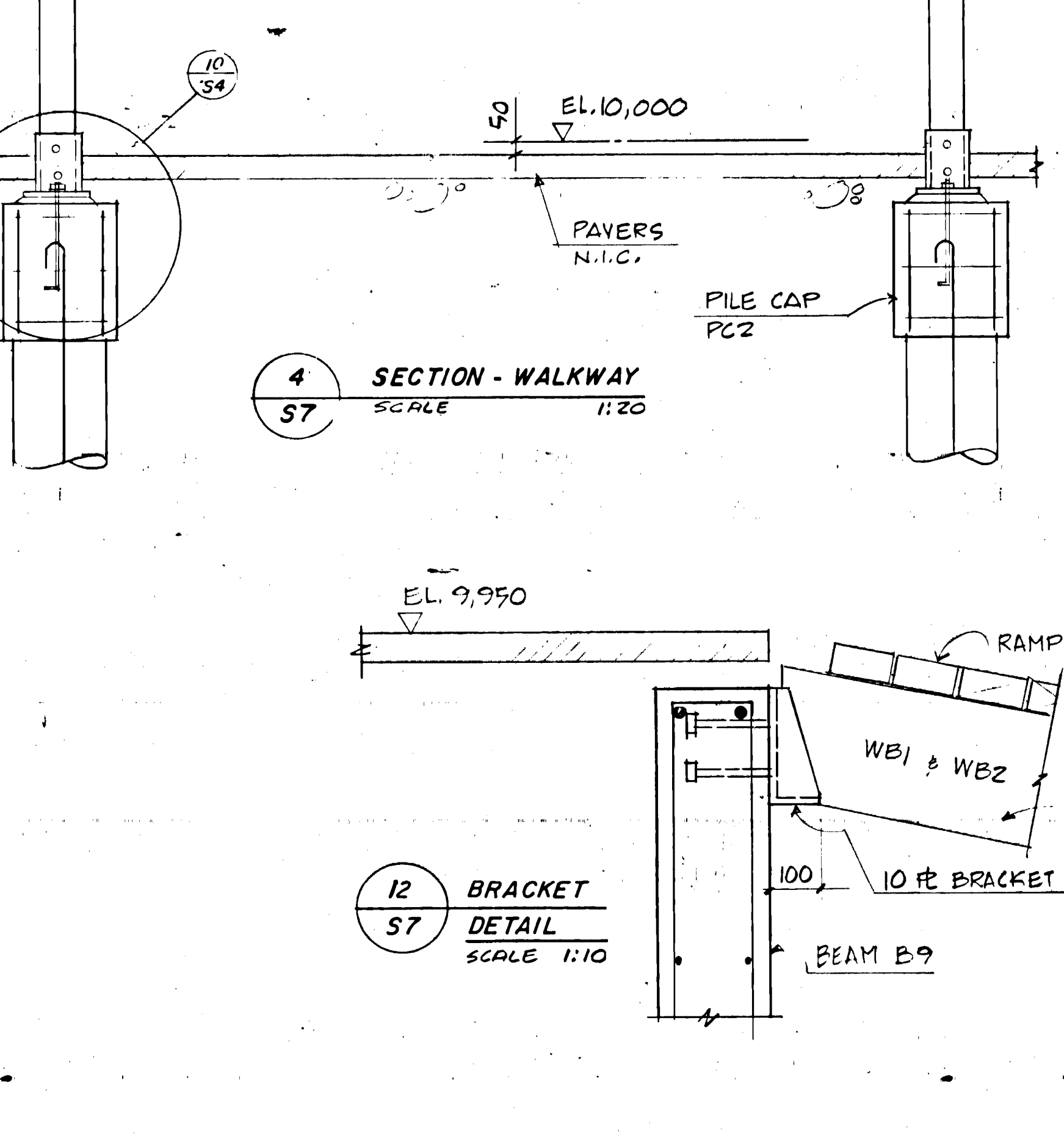
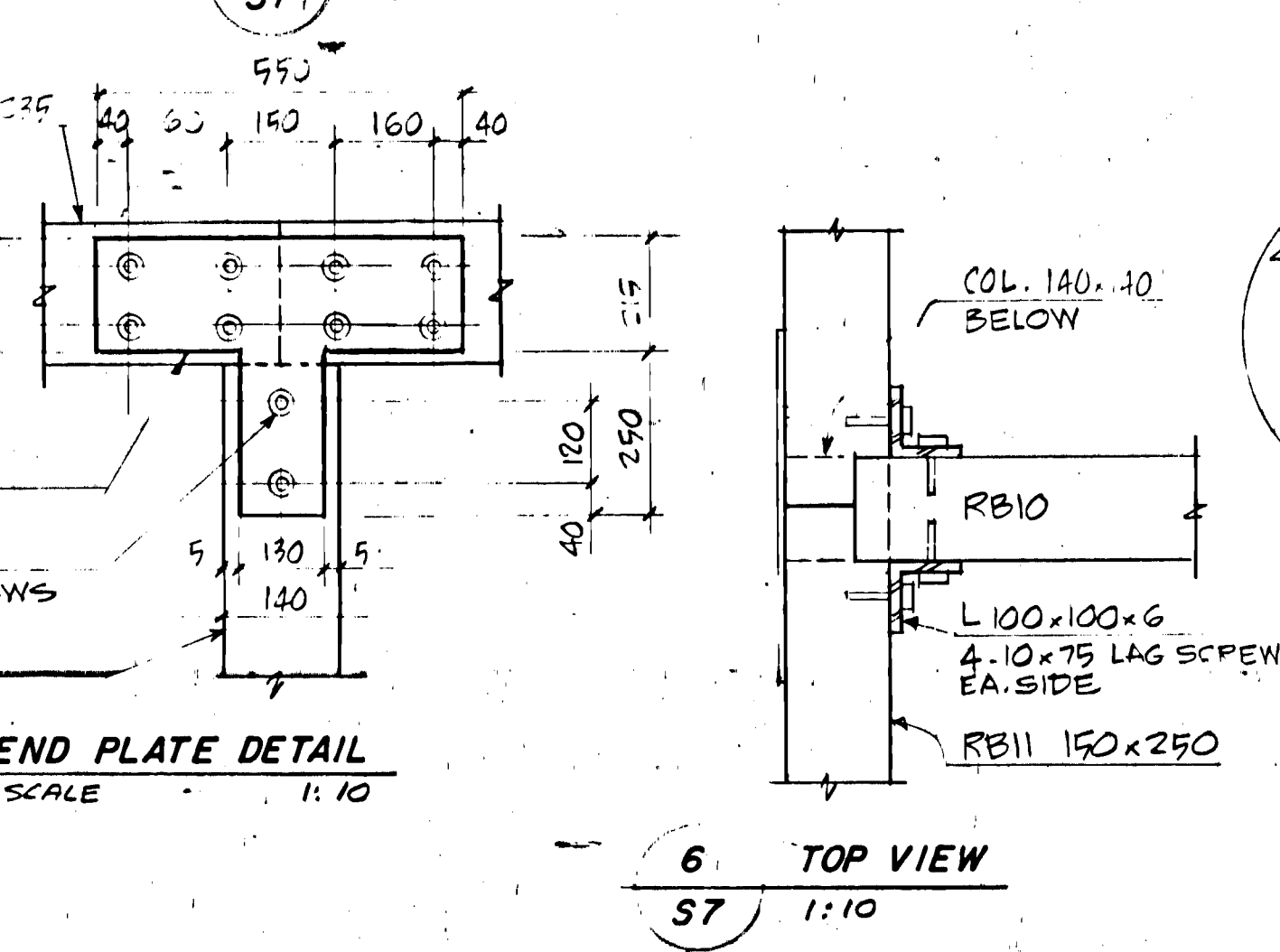
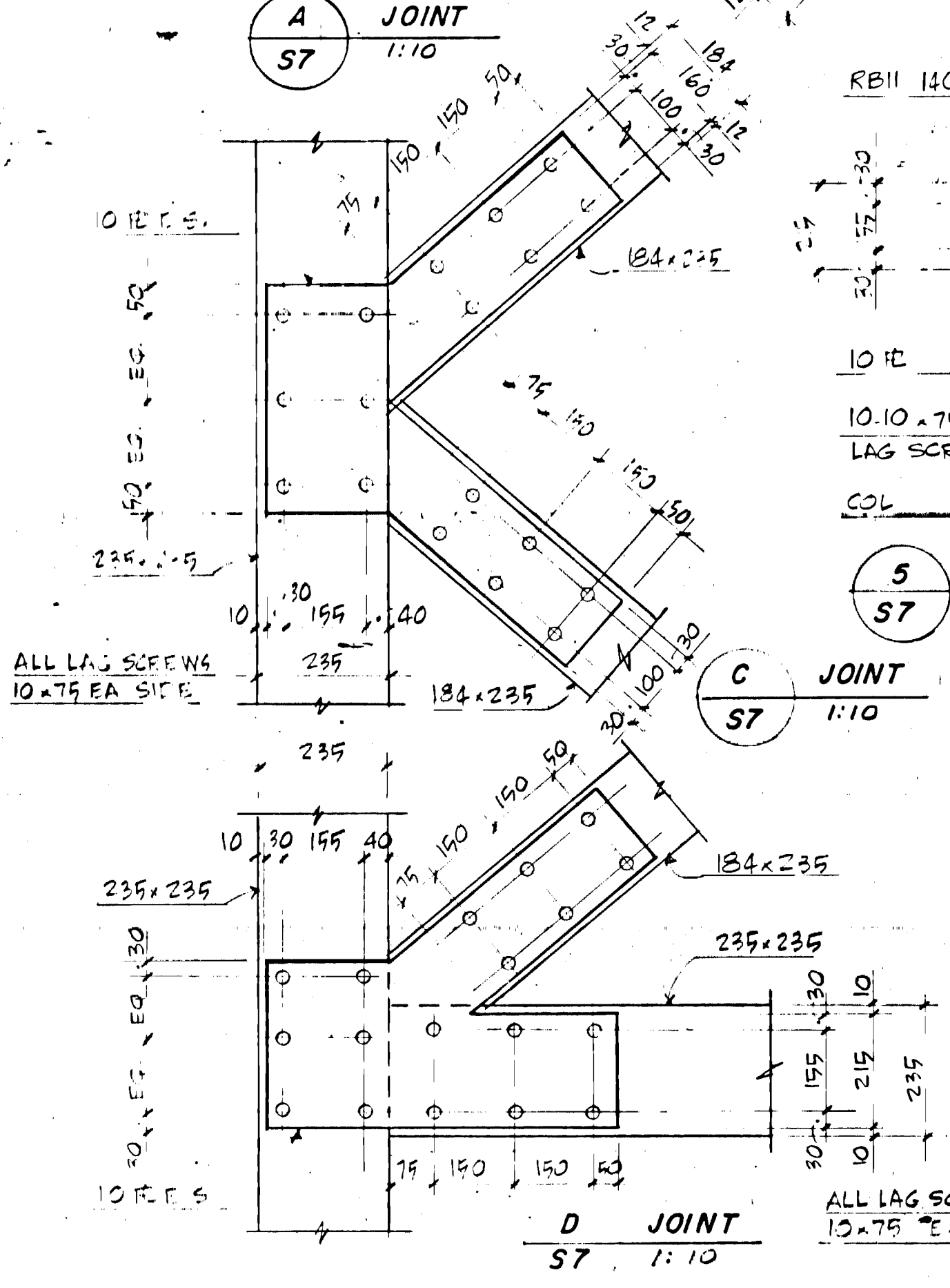
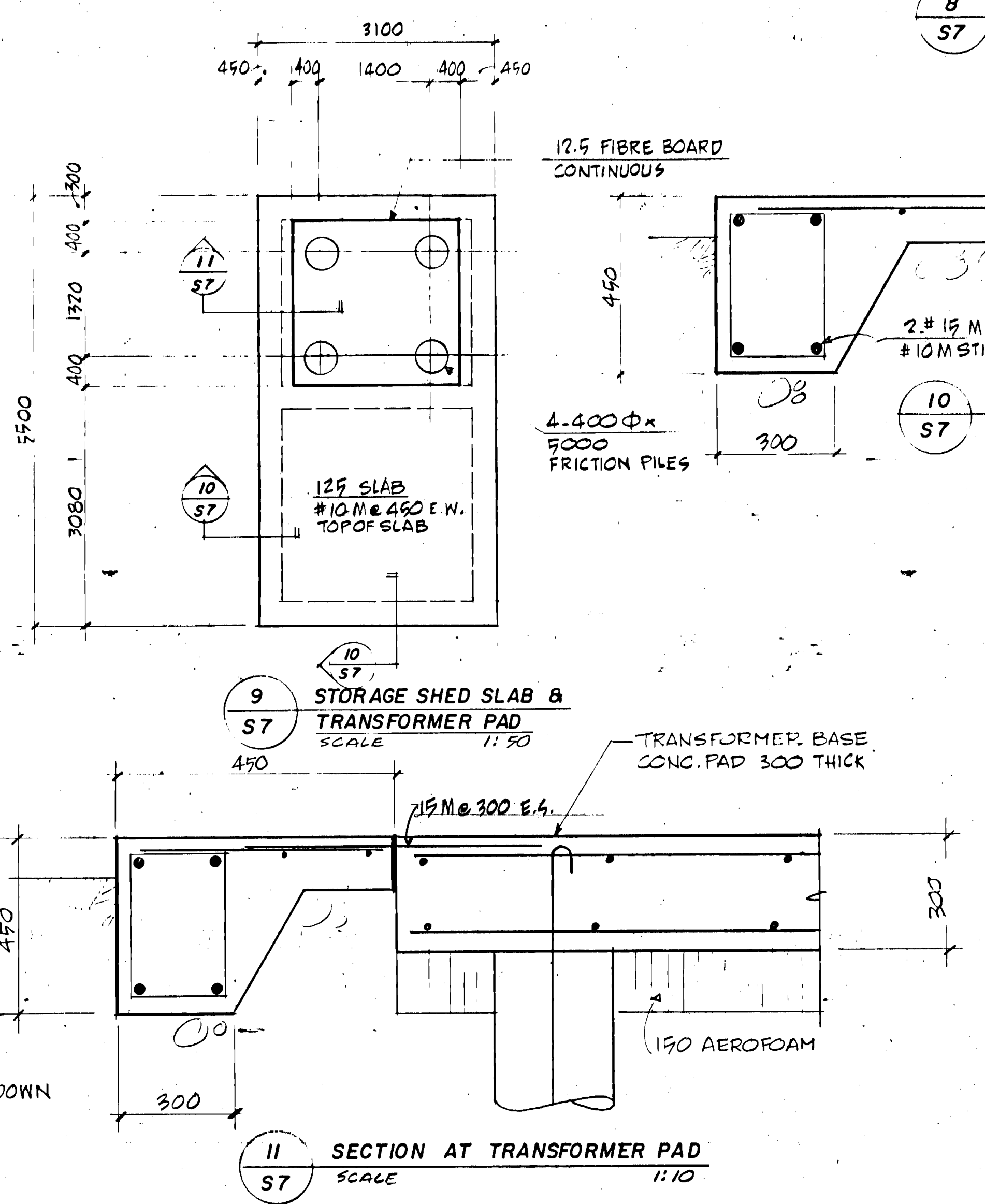
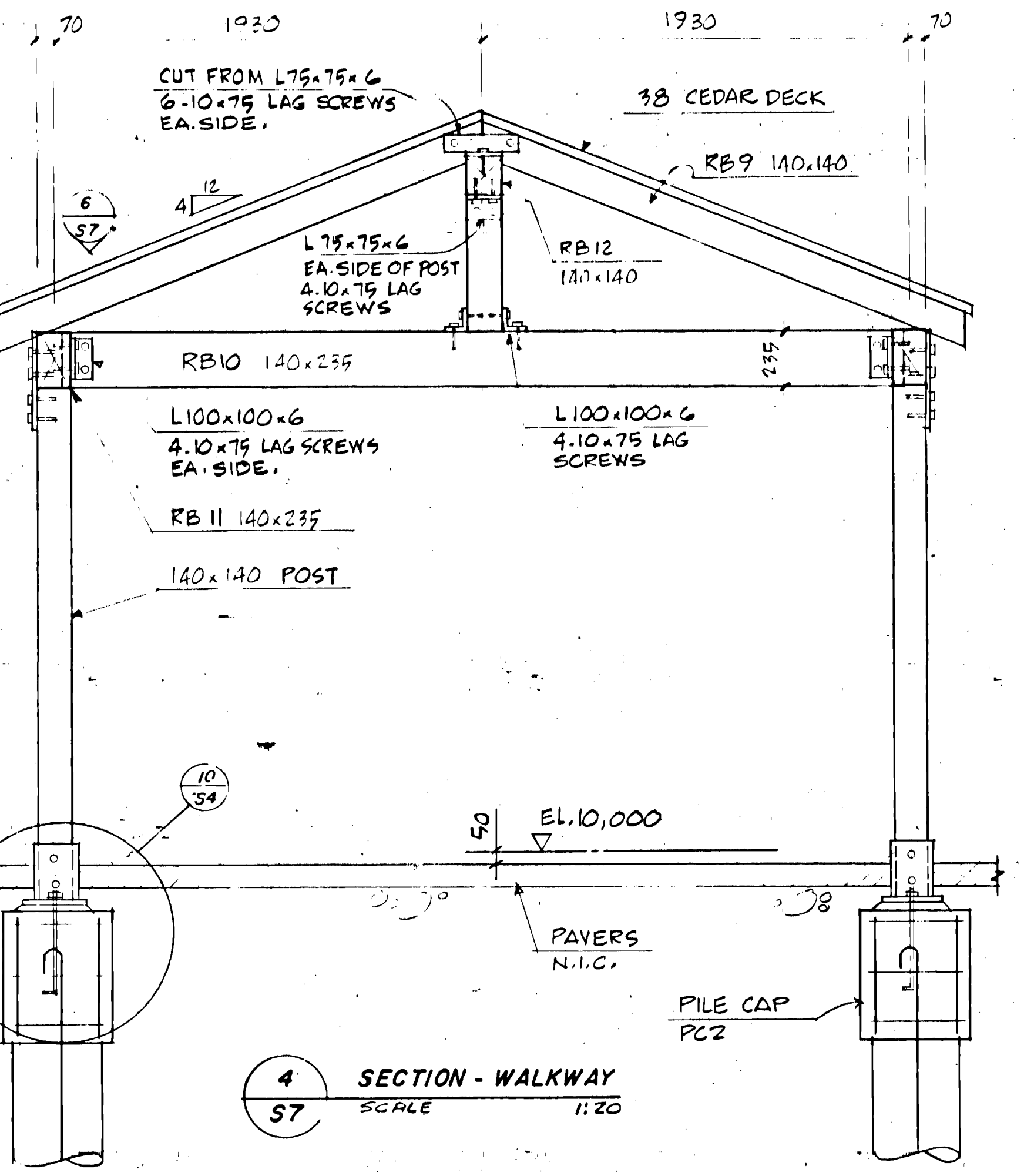
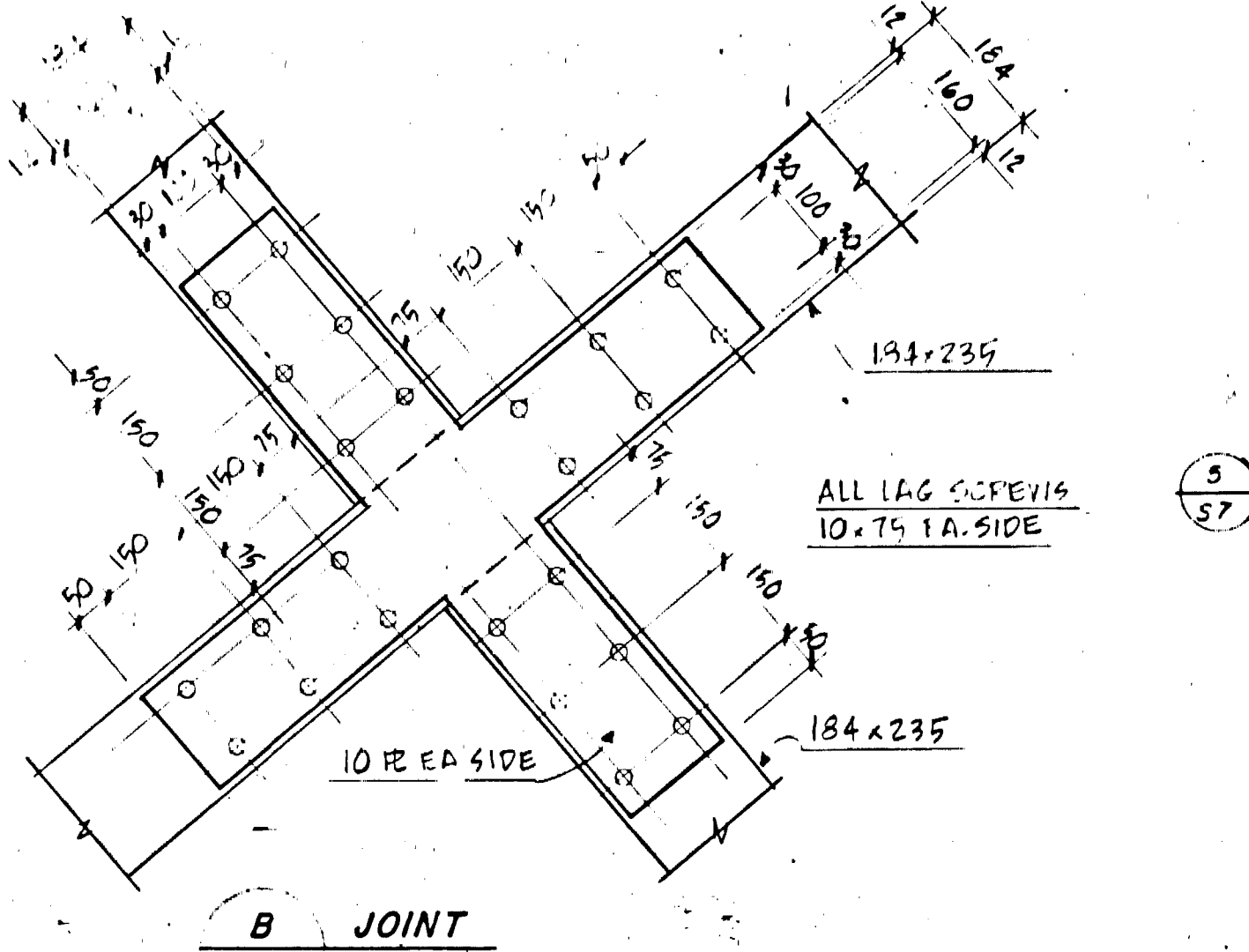
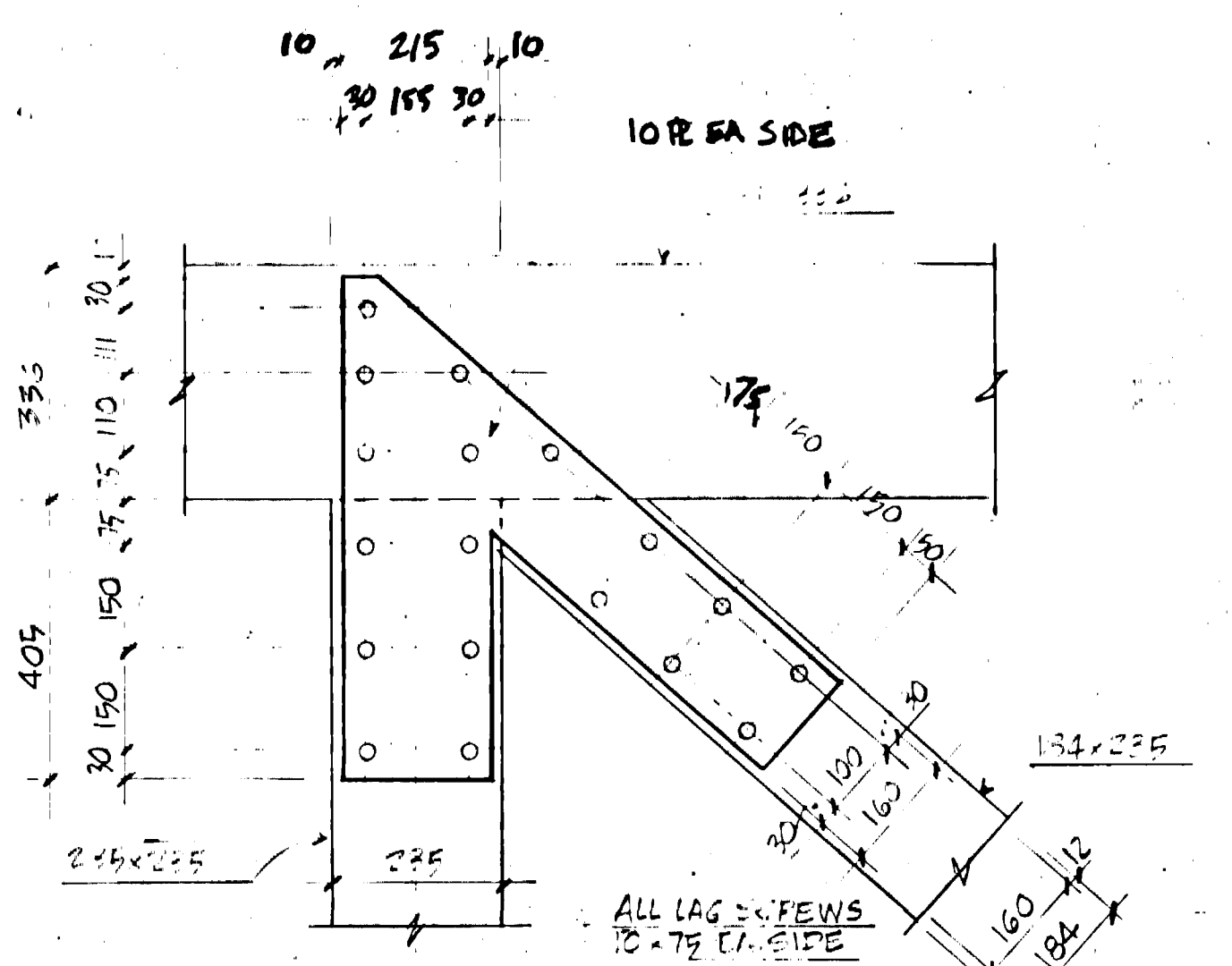
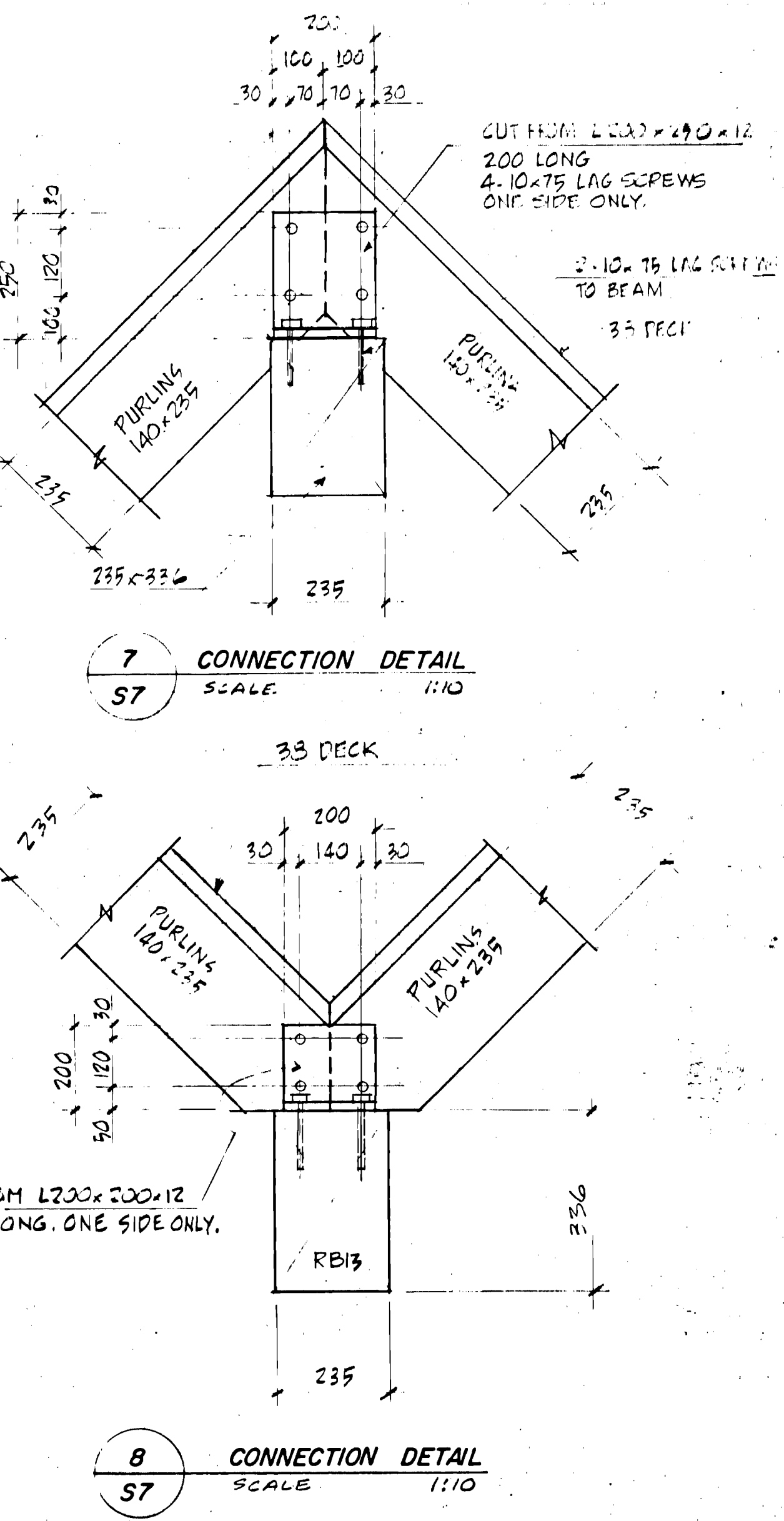
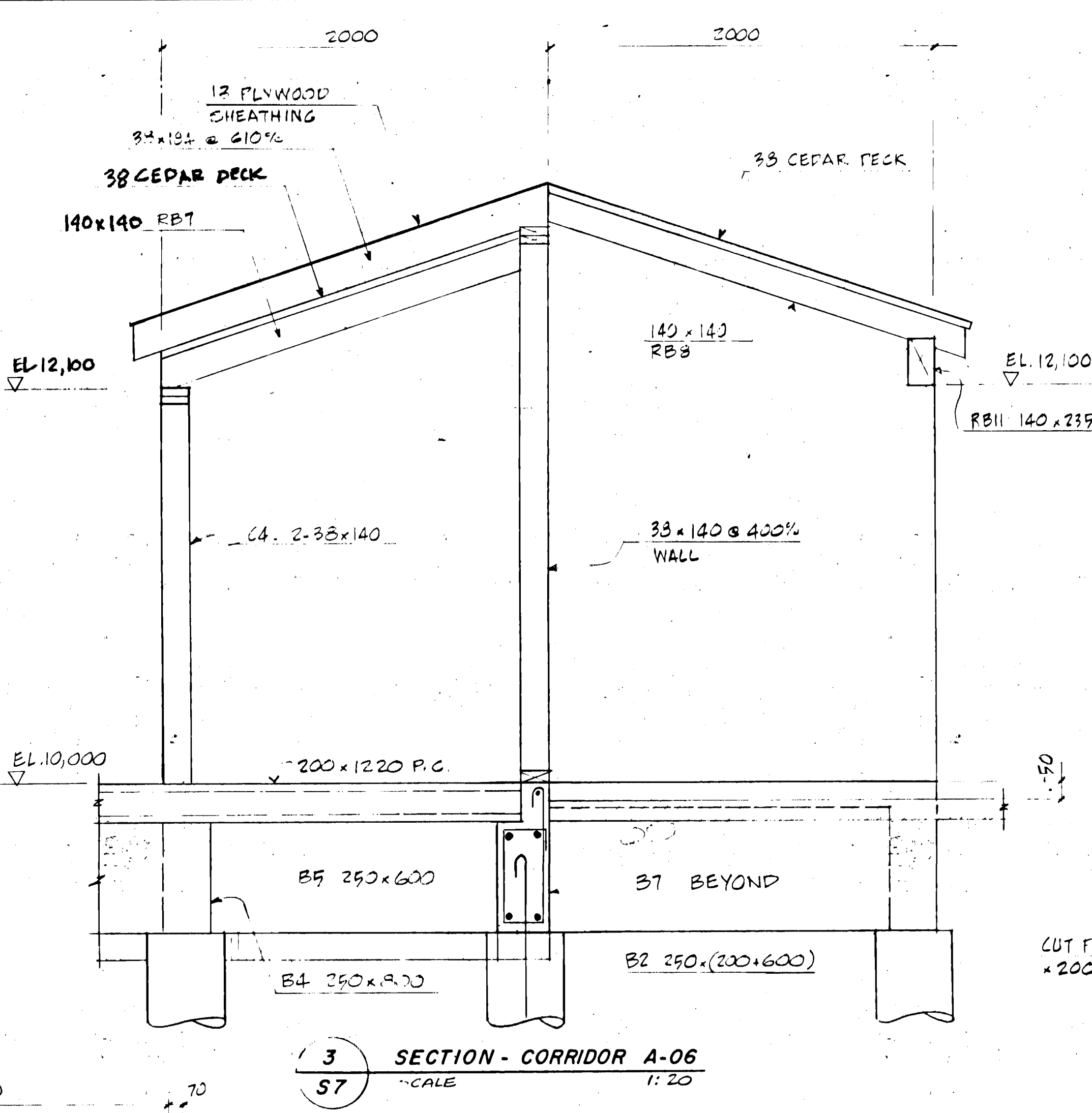
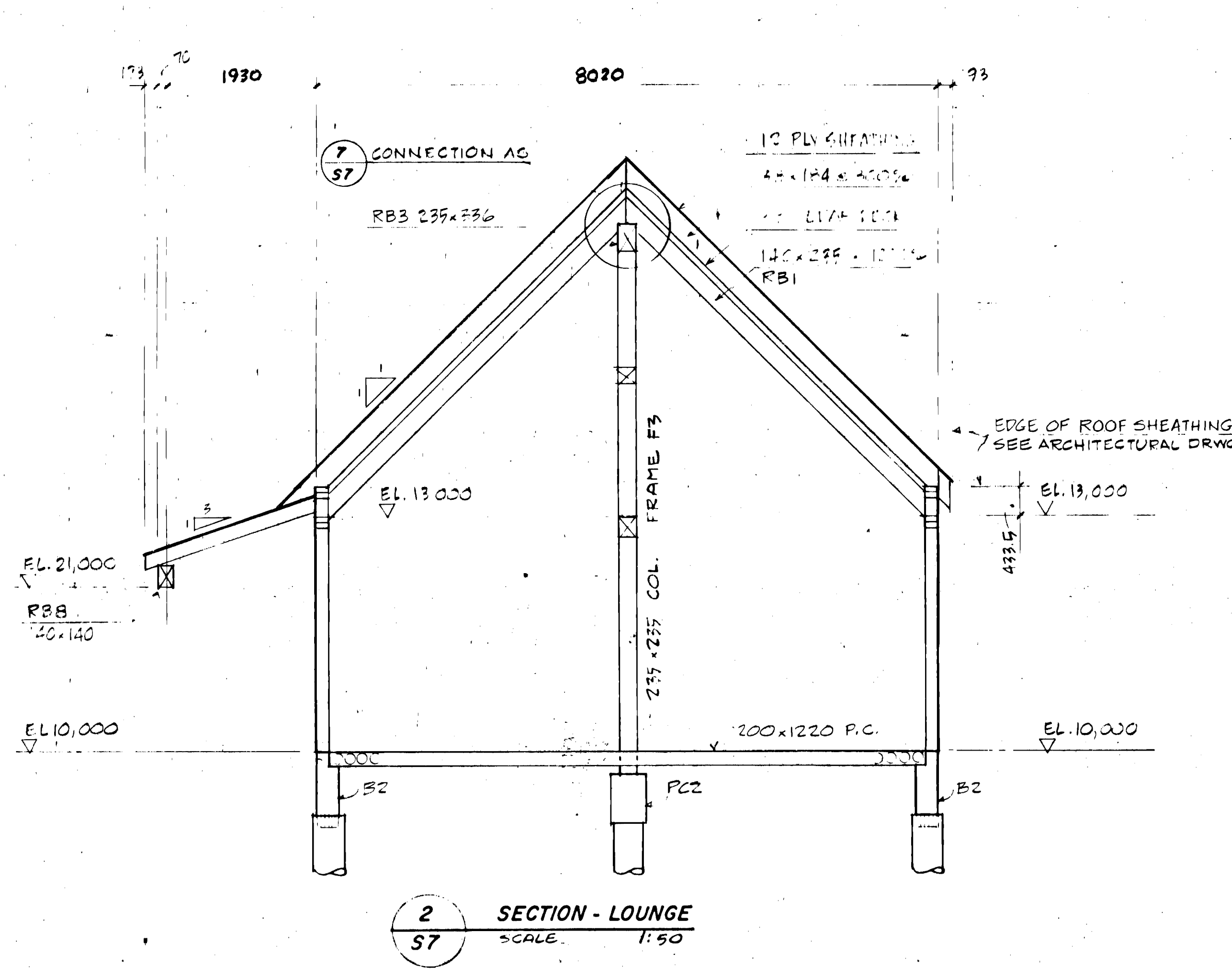
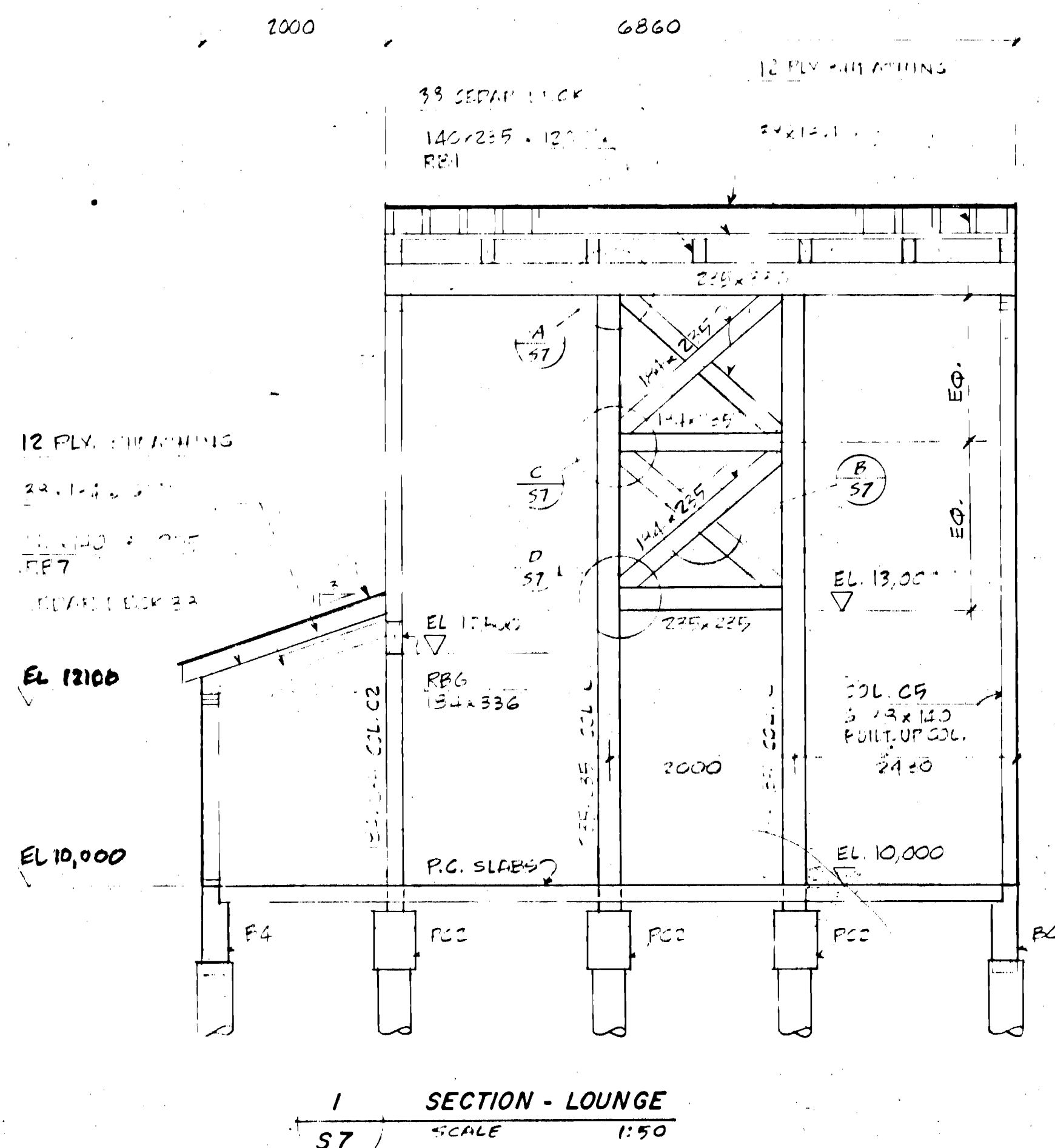
7 TRUSS T2 - KITCHEN
SCALE 1:50



Approved by *Arvid B. Berman*
General Manager
Parks and Recreation
City of Winnipeg
Director of Civic Properties
City of Winnipeg

70:45
W. H. MILLEY
REGISTERED ENGINEER

NORTHEAST PARK RECREATION BUILDING
FOR THE CITY OF WINNIPEG
STRUCTURAL DETAILS-ROOF TRUSSES



ALL LAG SCREW CONNECTIONS SHOWN ABOVE ARE NOT DESIGNED AS STRUCTURAL CONNECTIONS & CARRY NO ROOF LOADING STRESSES.

W. H. MILLEY AND ASSOCIATES
CONSULTING STRUCTURAL ENGINEERS
1383 PEMBINA HIGHWAY WINNIPEG 452-1475

IKOY

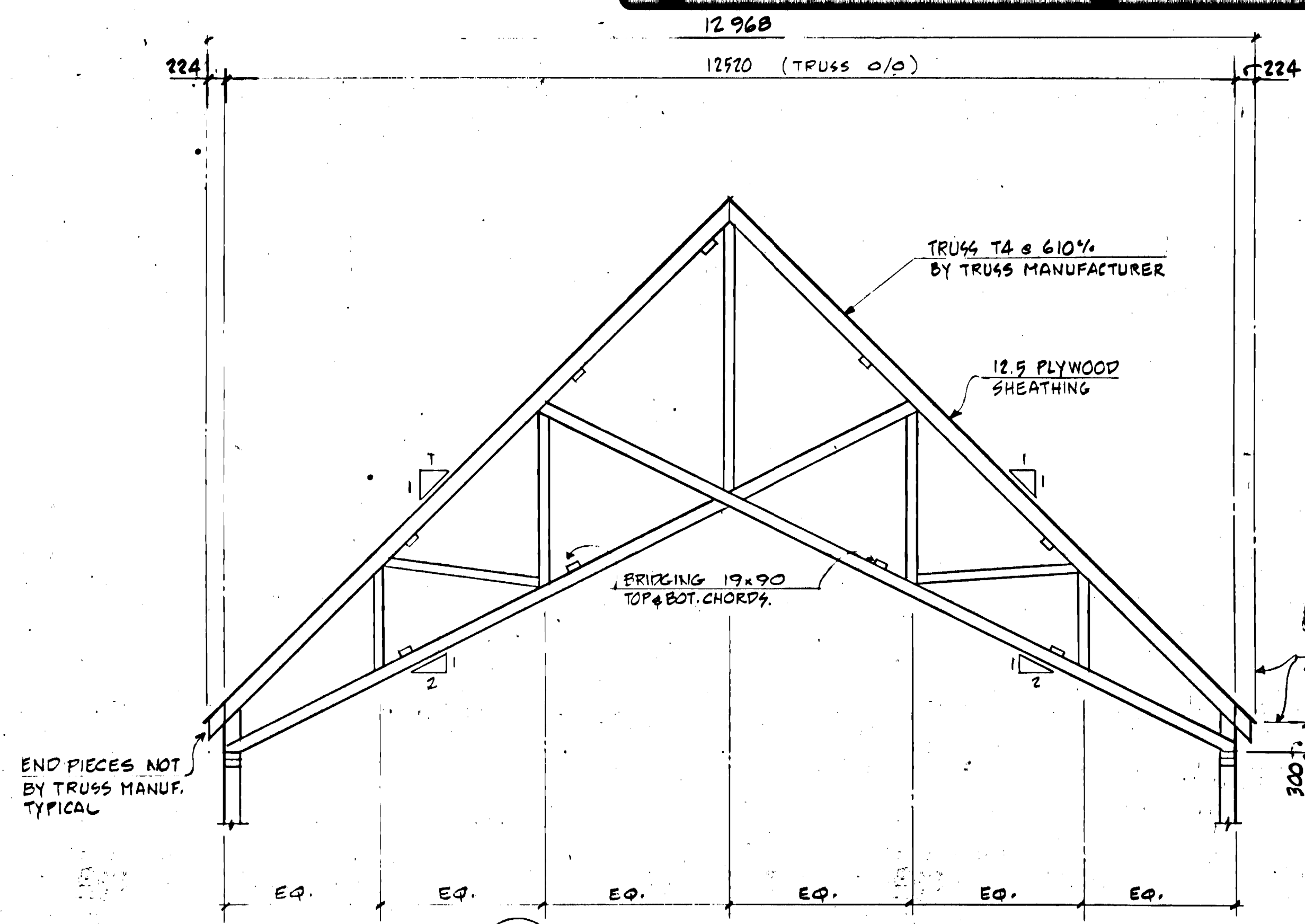
VINNIPEG REGINA THUNDER BAY

Approved by
General Manager
Parks and Recreation
City of Winnipeg

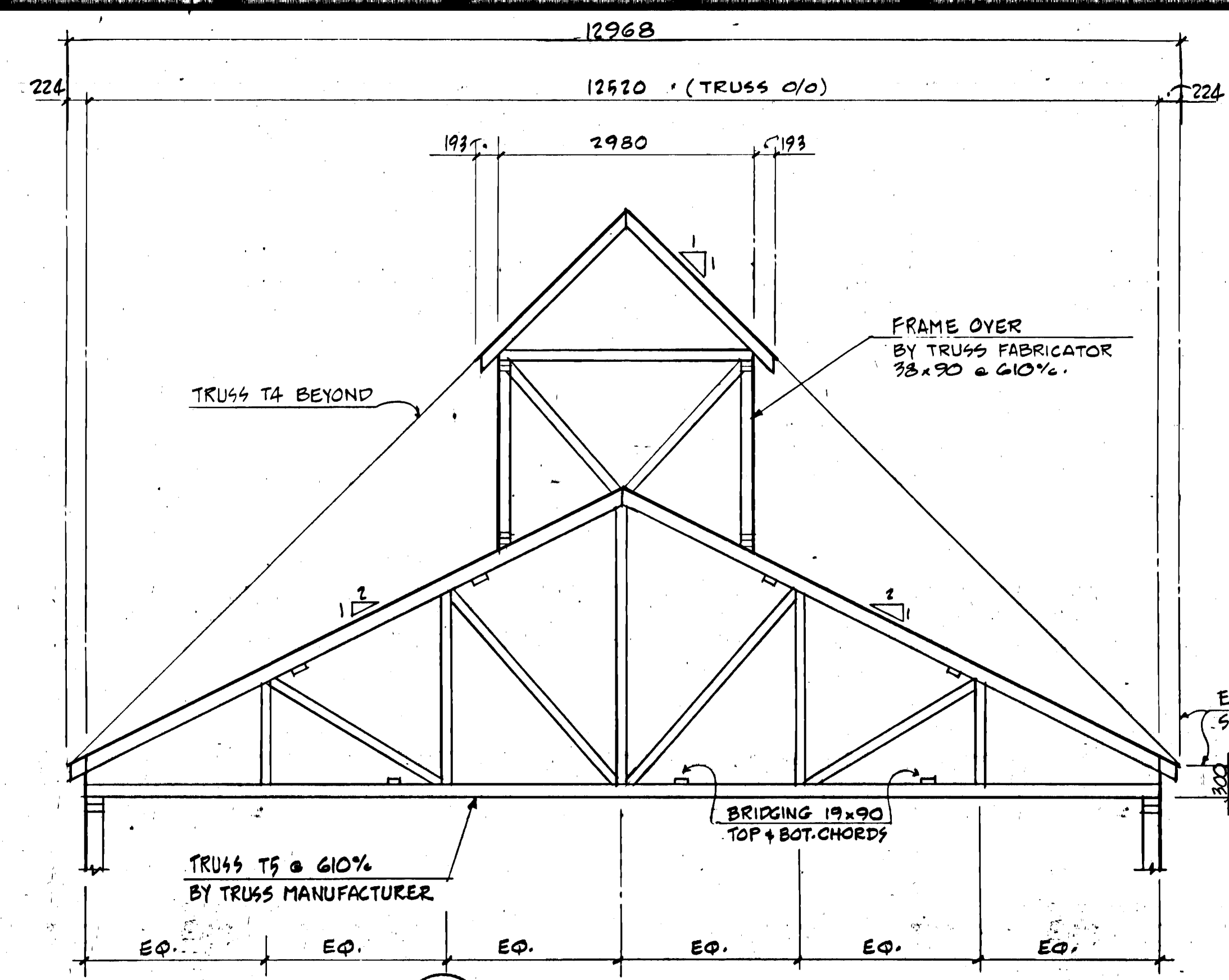
Director of Civic Properties
City of Winnipeg

REGISTERED ENGINEER

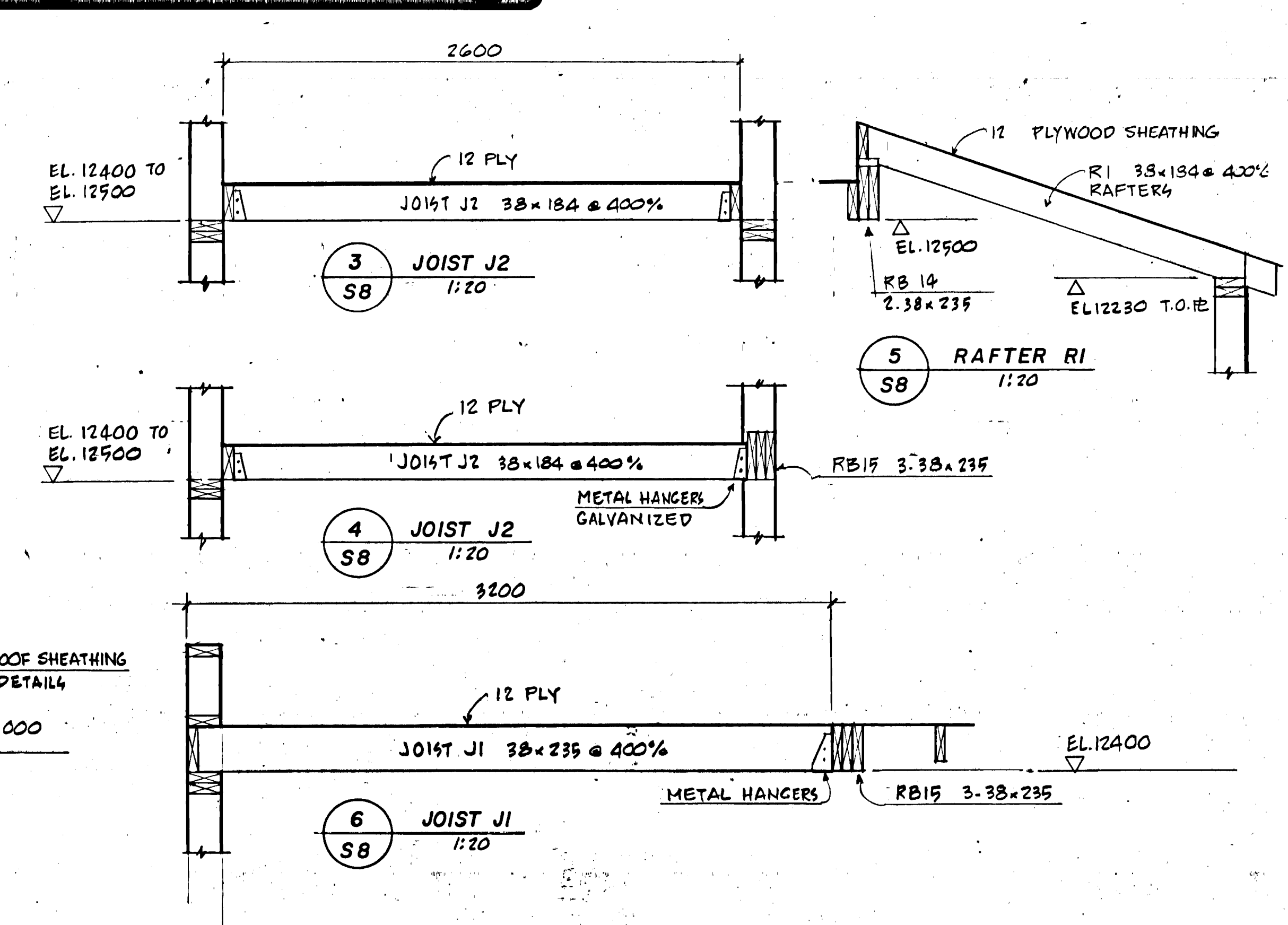
NORTHEAST PARK RECREATION BUILDING
FOR THE CITY OF WINNIPEG
STRUCTURAL DETAILS - MISCELLANEOUS



1 BANQUET ROOM TRUSS T4 @ 610%
SCALE 1:50



2 CLASSROOM TRUSS T5 @ 610%
SCALE 1:50

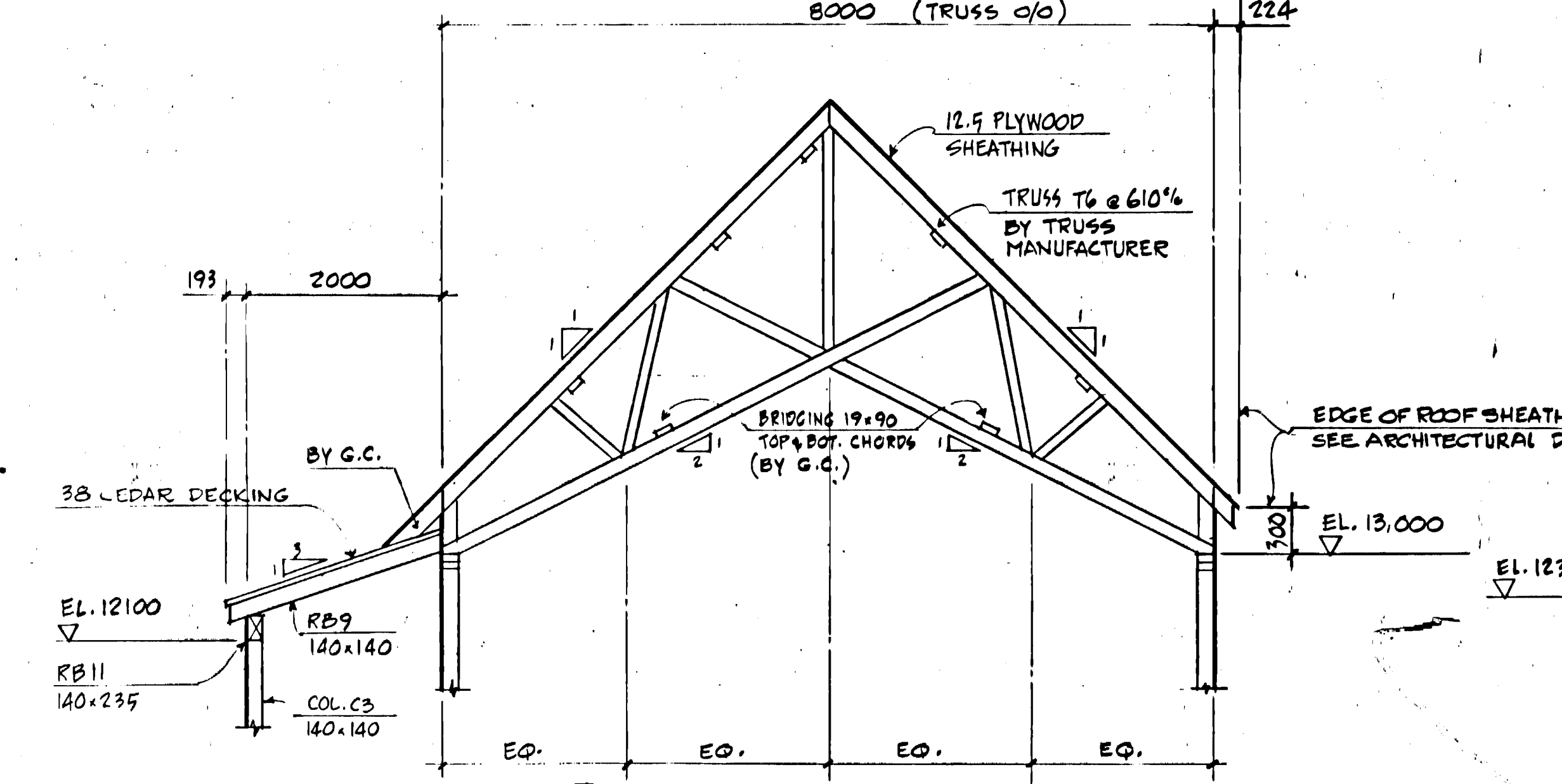


3 JOIST J2 @ 1:20

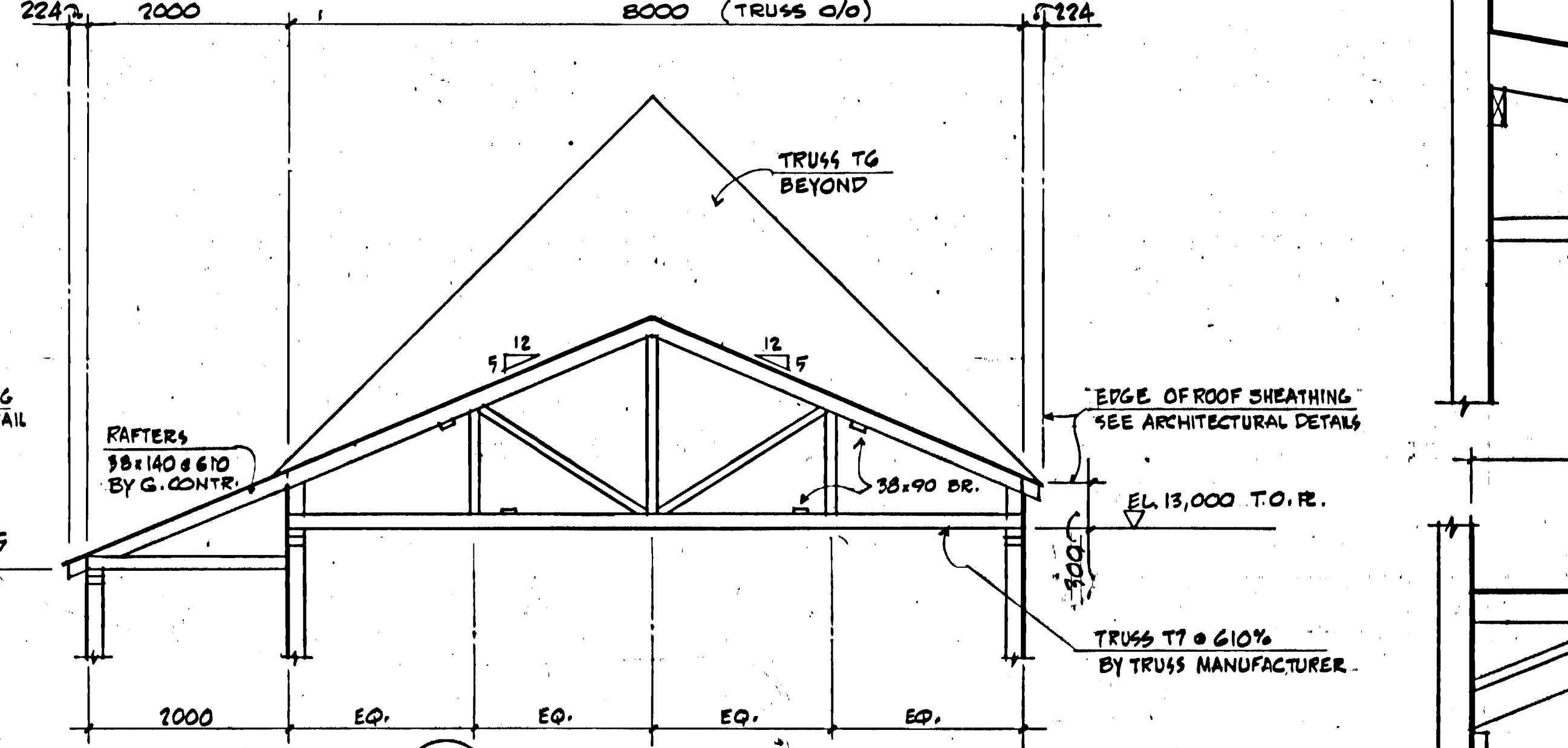
5 RAFTER R1 @ 1:20

4 JOIST J2 @ 1:20

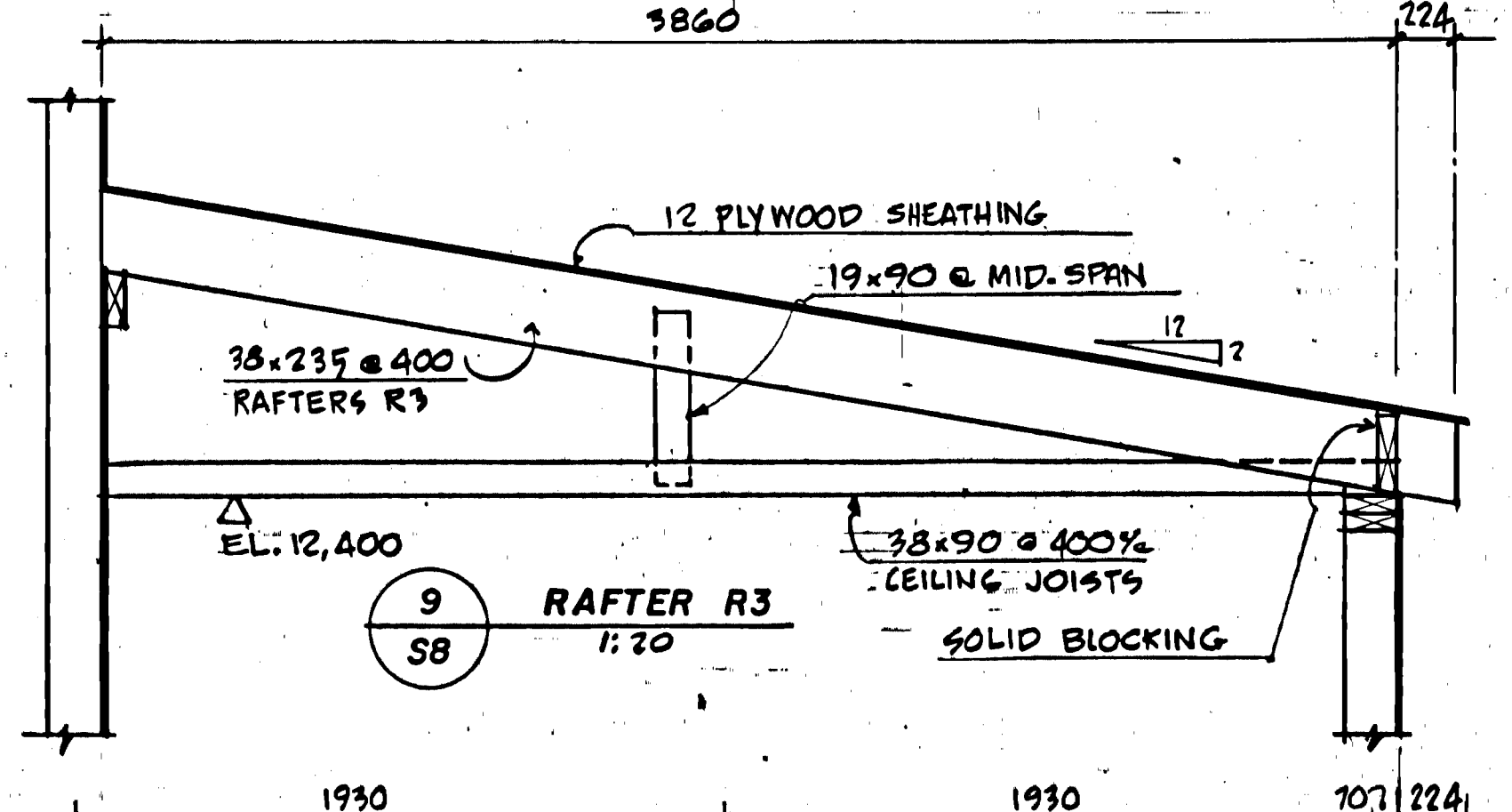
6 JOIST J1 @ 1:20



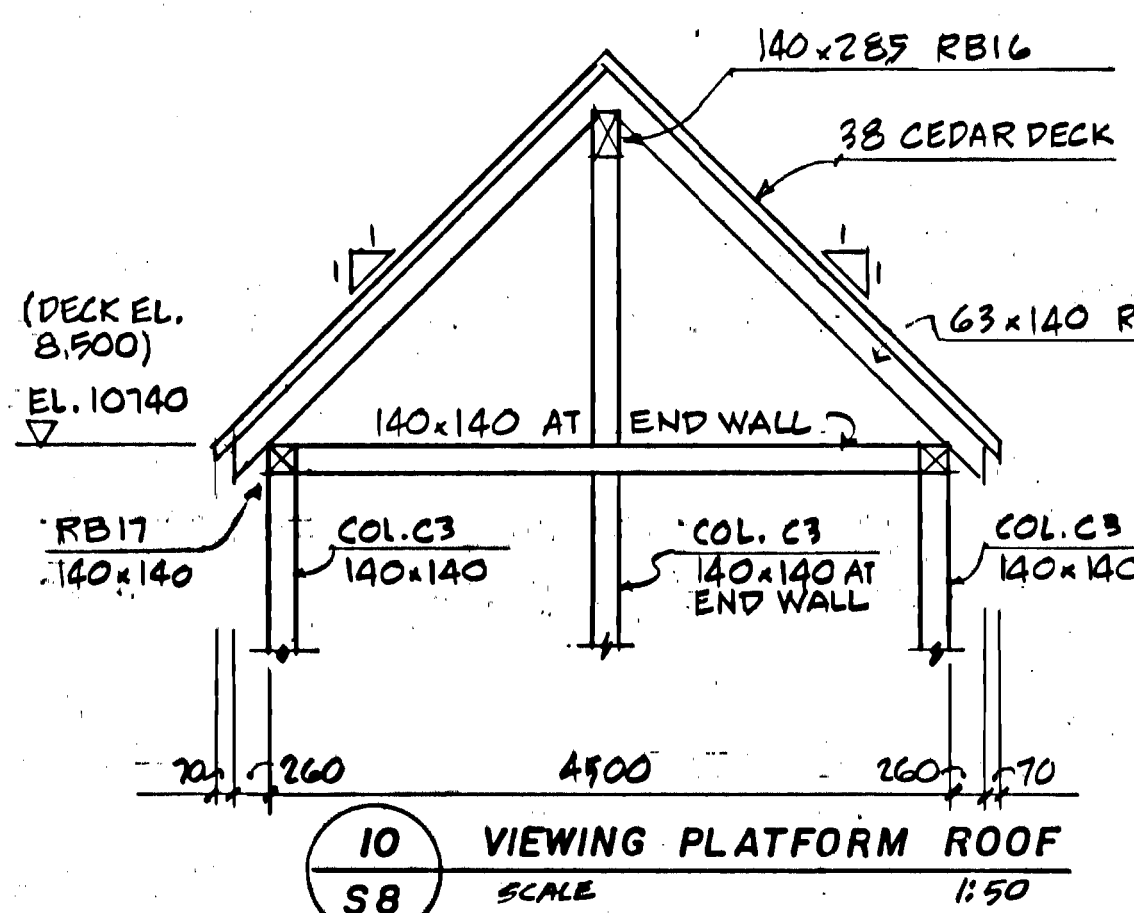
7 PRO-SHOP TRUSS T6 @ 610%
SCALE 1:50



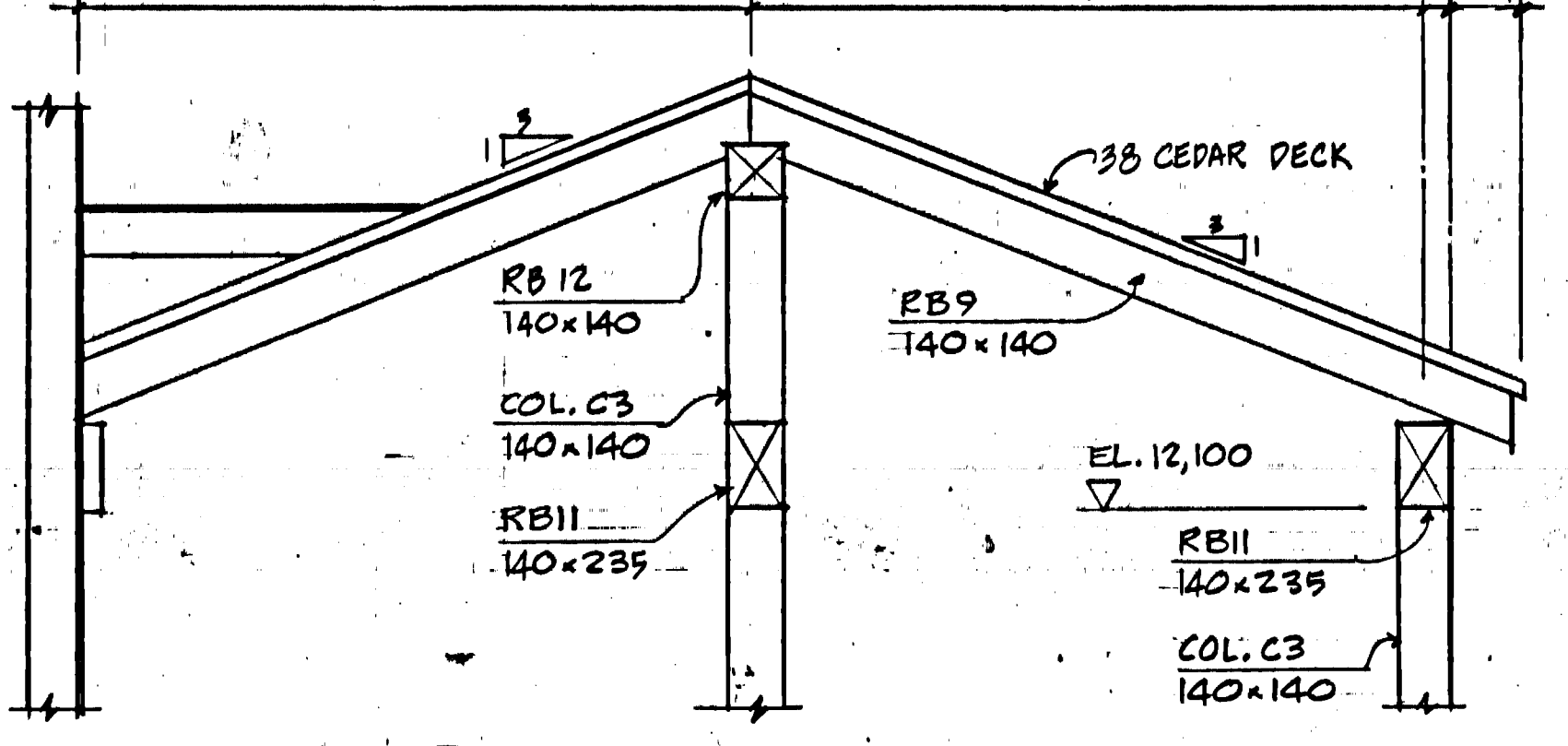
8 STORAGE TRUSS T7 @ 610%
SCALE 1:50



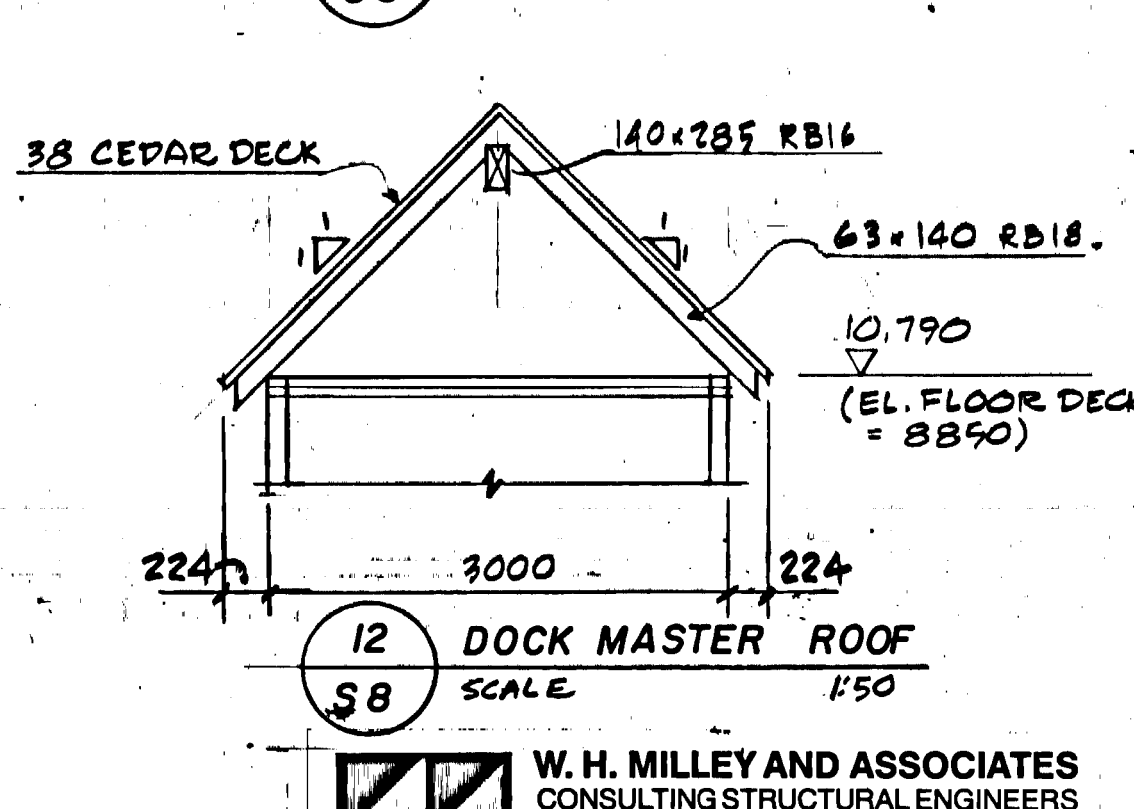
9 RAFTER R3 @ 1:20



10 VIEWING PLATFORM ROOF @ 1:50

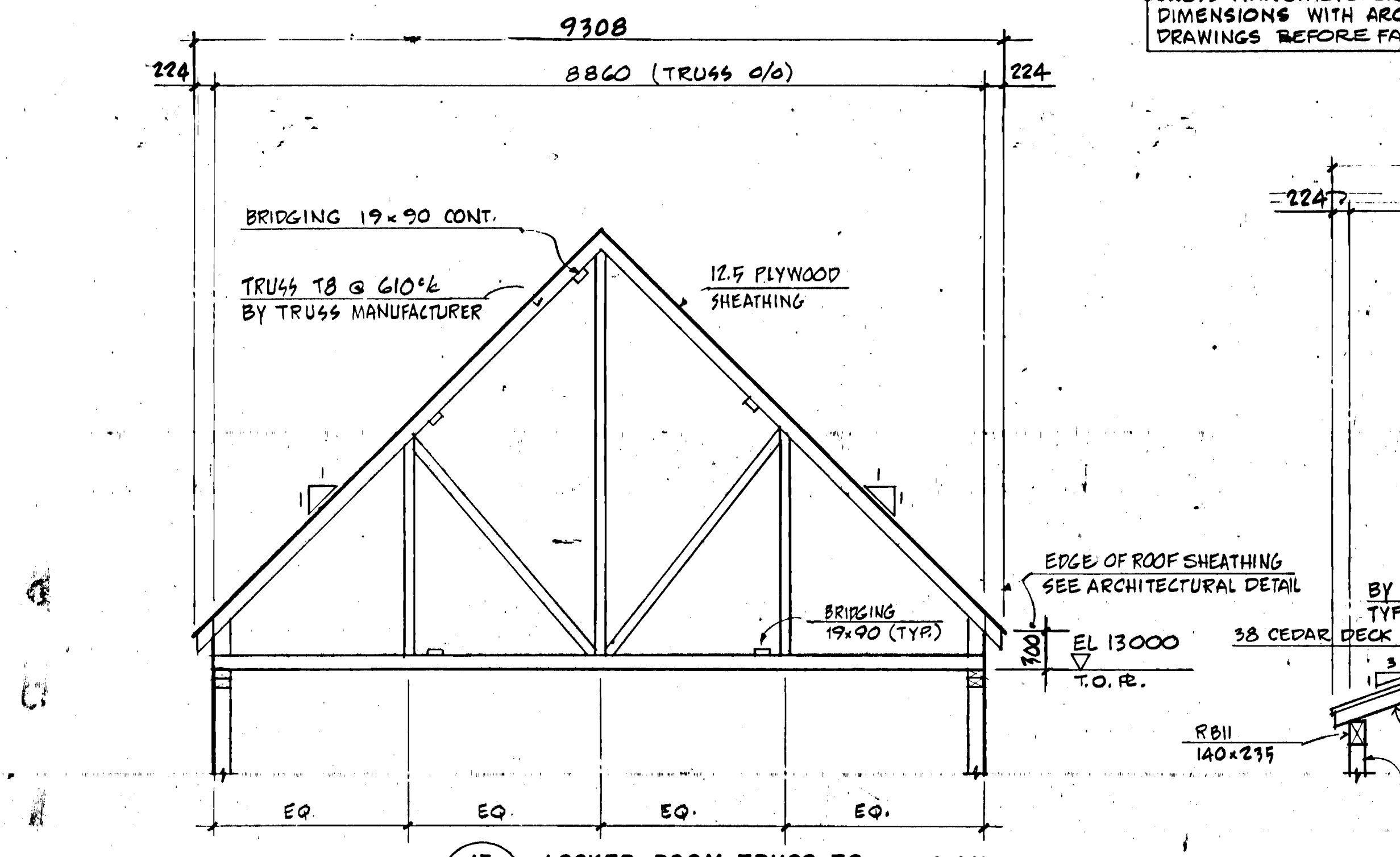


11 WALKWAY ROOF @ 1:20

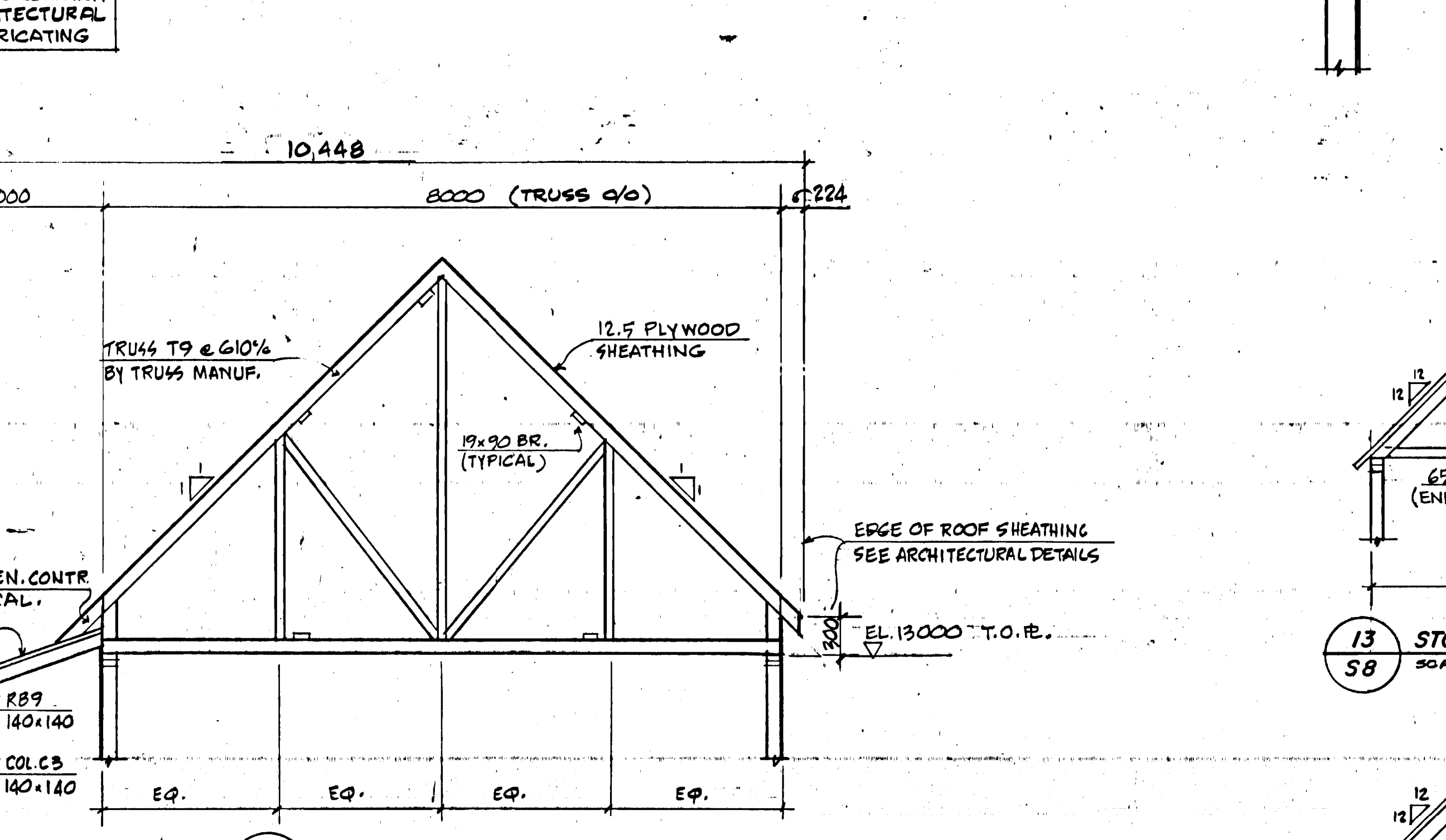


12 DOCK MASTER ROOF @ 1:50

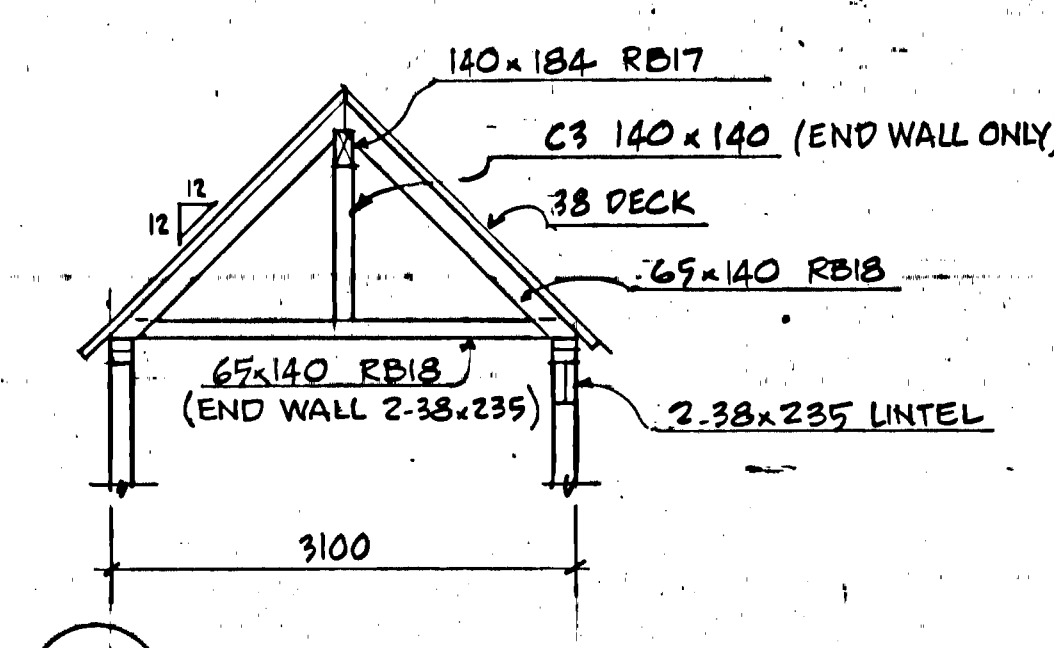
TRUSS MANUFACTURER TO CONFIRM DIMENSIONS WITH ARCHITECTURAL DRAWINGS BEFORE FABRICATING



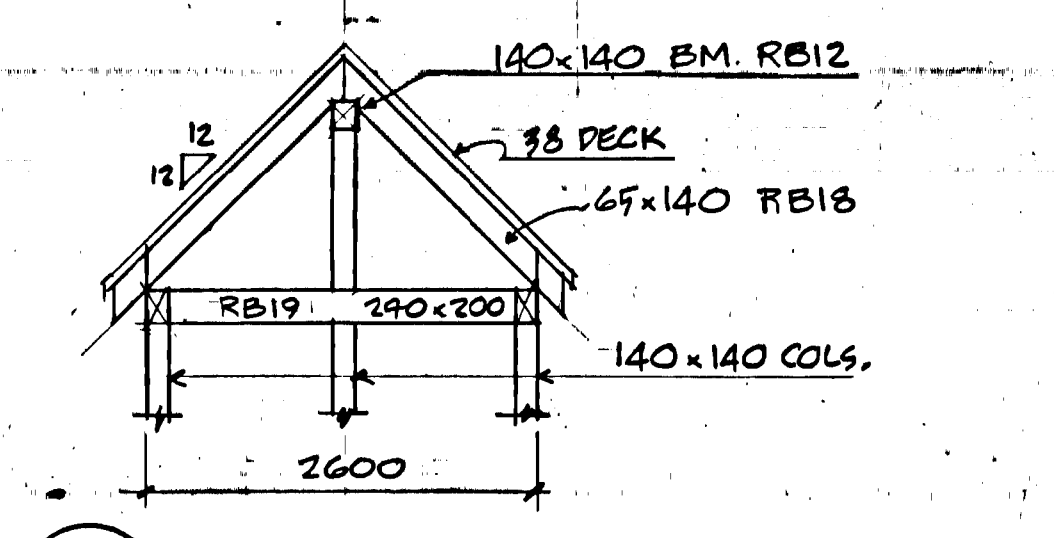
13 LOCKER ROOM TRUSS T8 @ 610%
SCALE 1:50



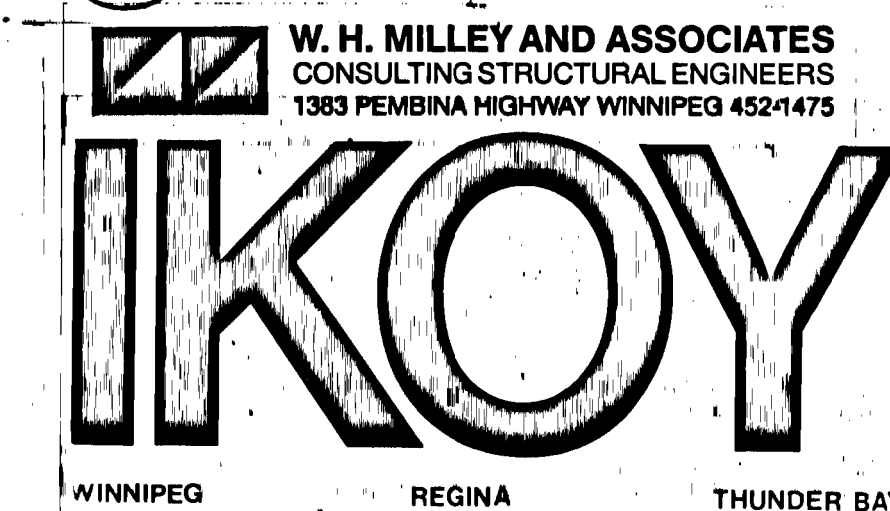
14 LOCKER ROOM TRUSS T9 @ 610%
SCALE 1:50



13 STORAGE SHED ROOF @ 1:20



14 TOWER ROOF @ 1:20



Approved by
General Manager
Parks and Recreation
City of Winnipeg
Director of Civic Properties
City of Winnipeg

PROJECT
NORTHEAST PARK RECREATION BUILDING
FOR
THE CITY OF WINNIPEG

STRUCTURAL DETAILS - ROOF TRUSSES

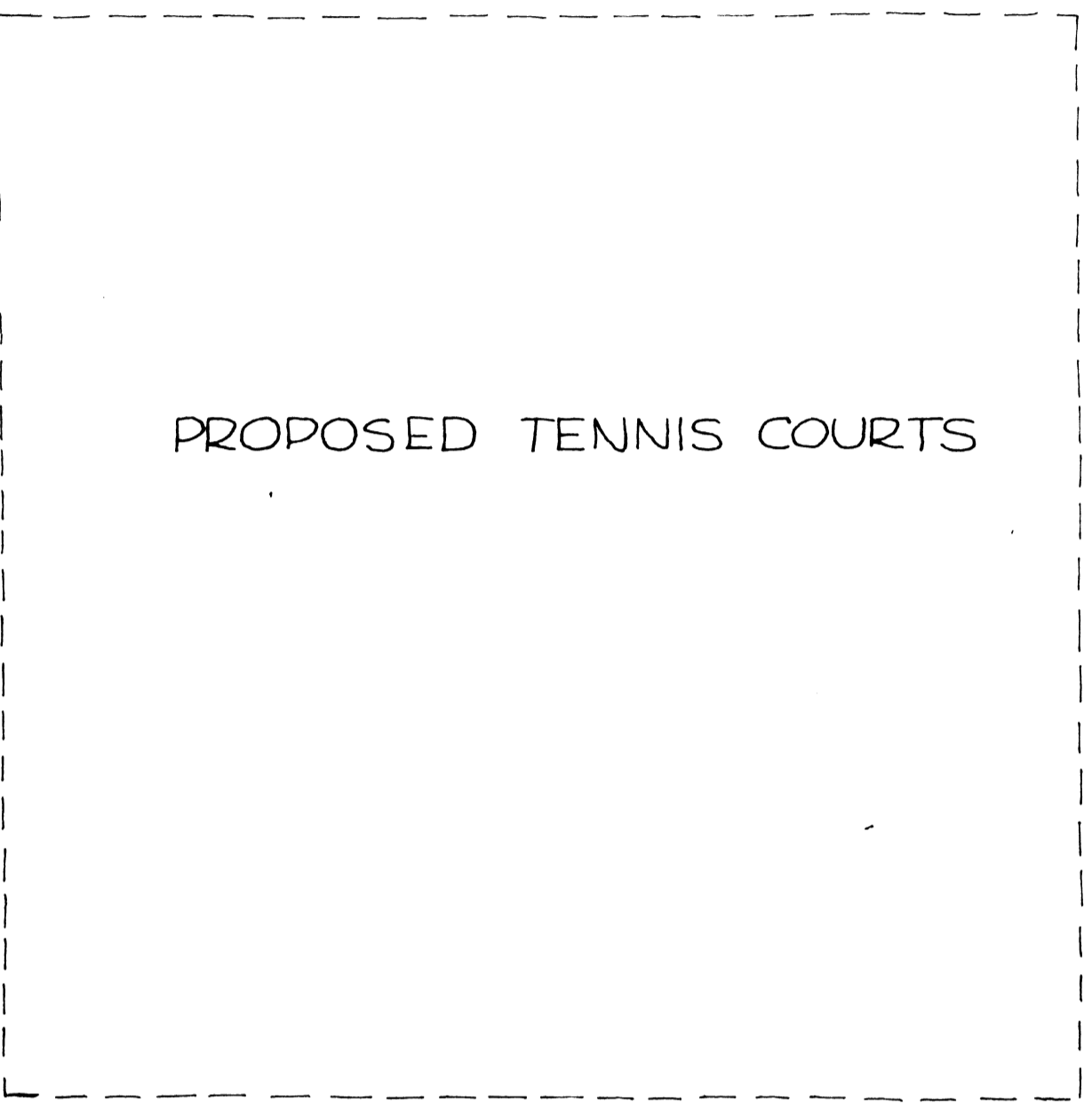
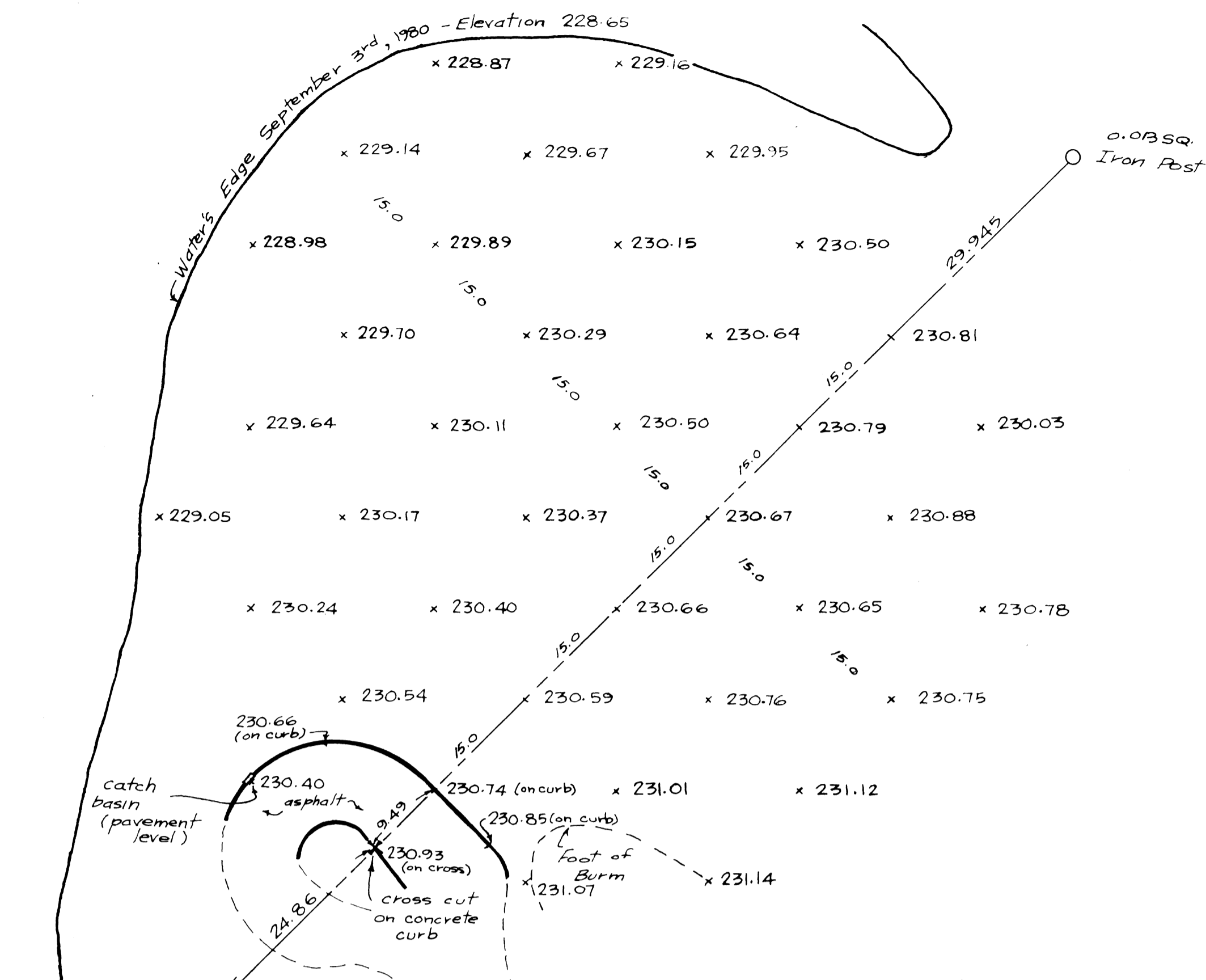
DRAWN BY
R.D.
CHECKED
MM

DATE
DEC. 1980

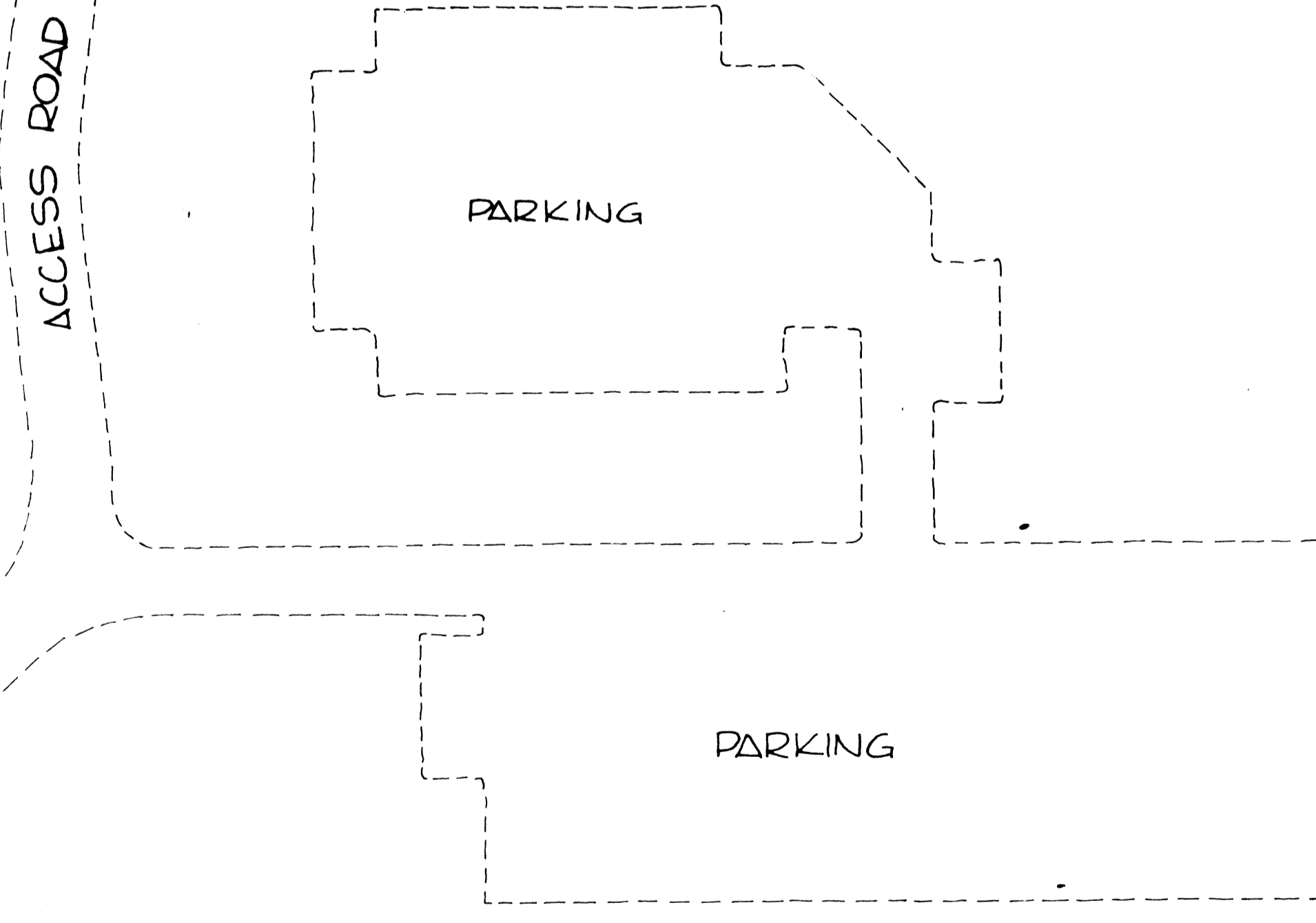
SHEET NO.
80.43

85-BUILT DRAWING-APRIL 19, 82

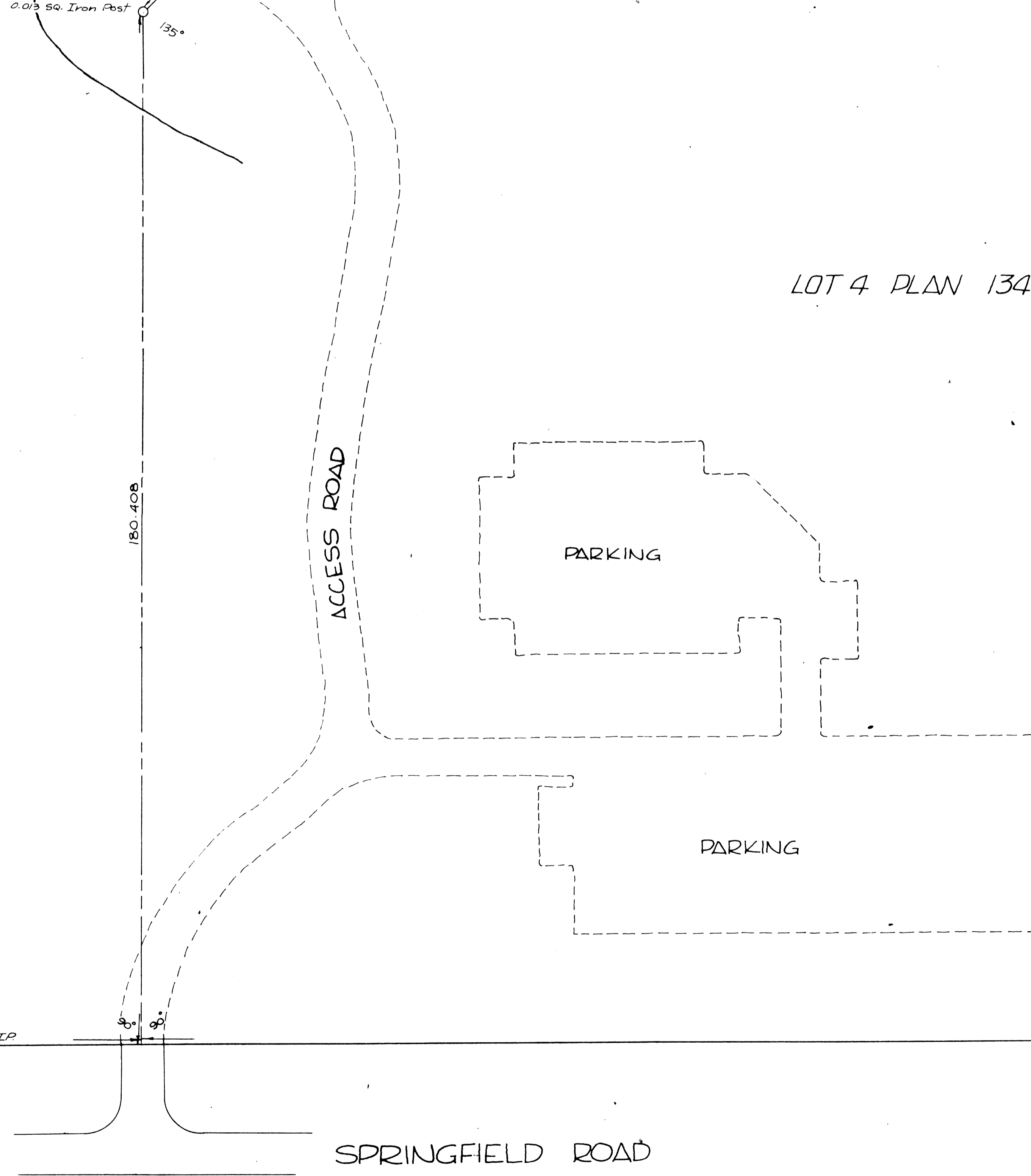




LOT 4 PLAN 13487



Note: -Unsurveyed lines are shown thus -----
 -Elevations are referred to Geodetic Datum
 -All distances are in metres and decimals thereof

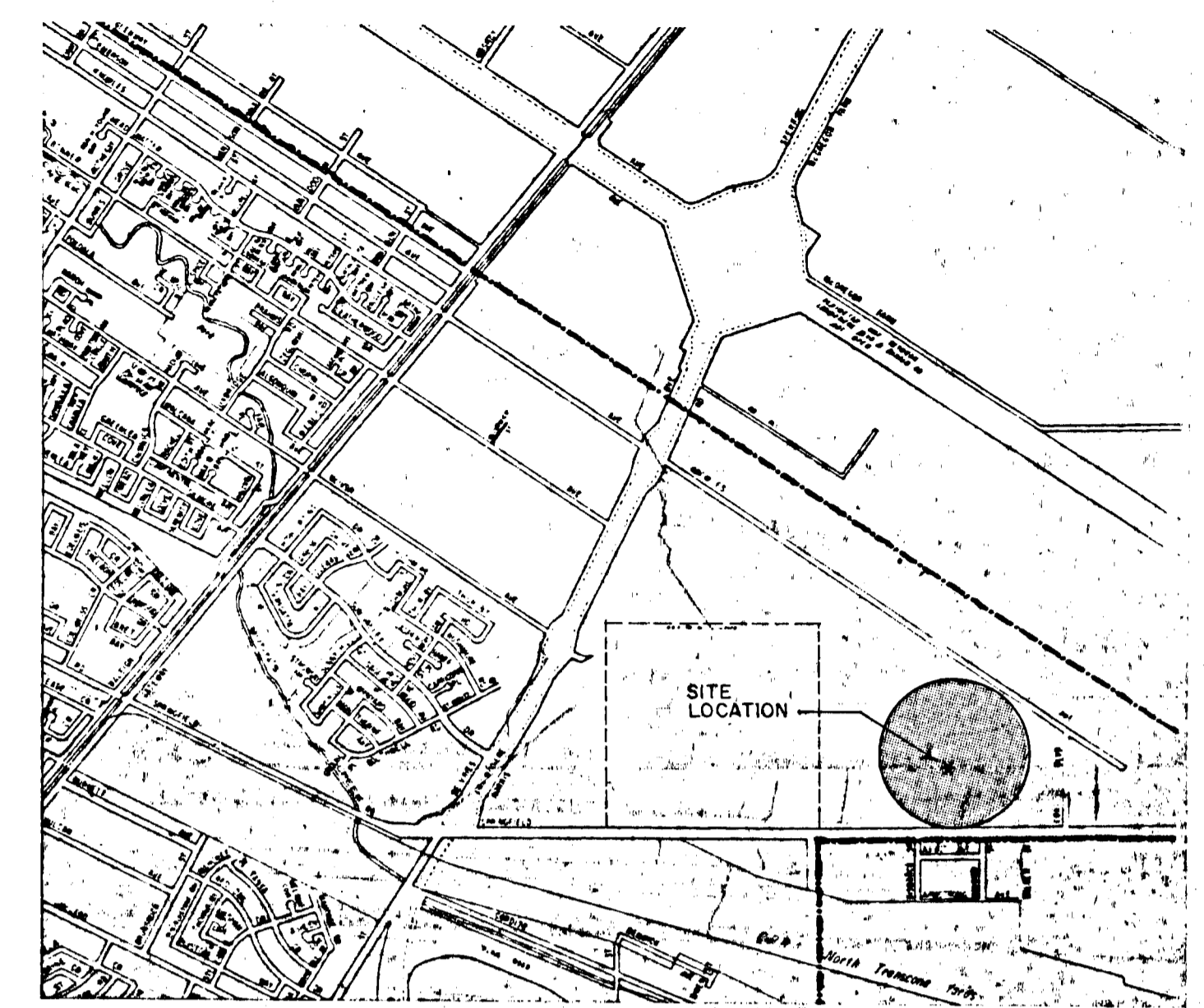
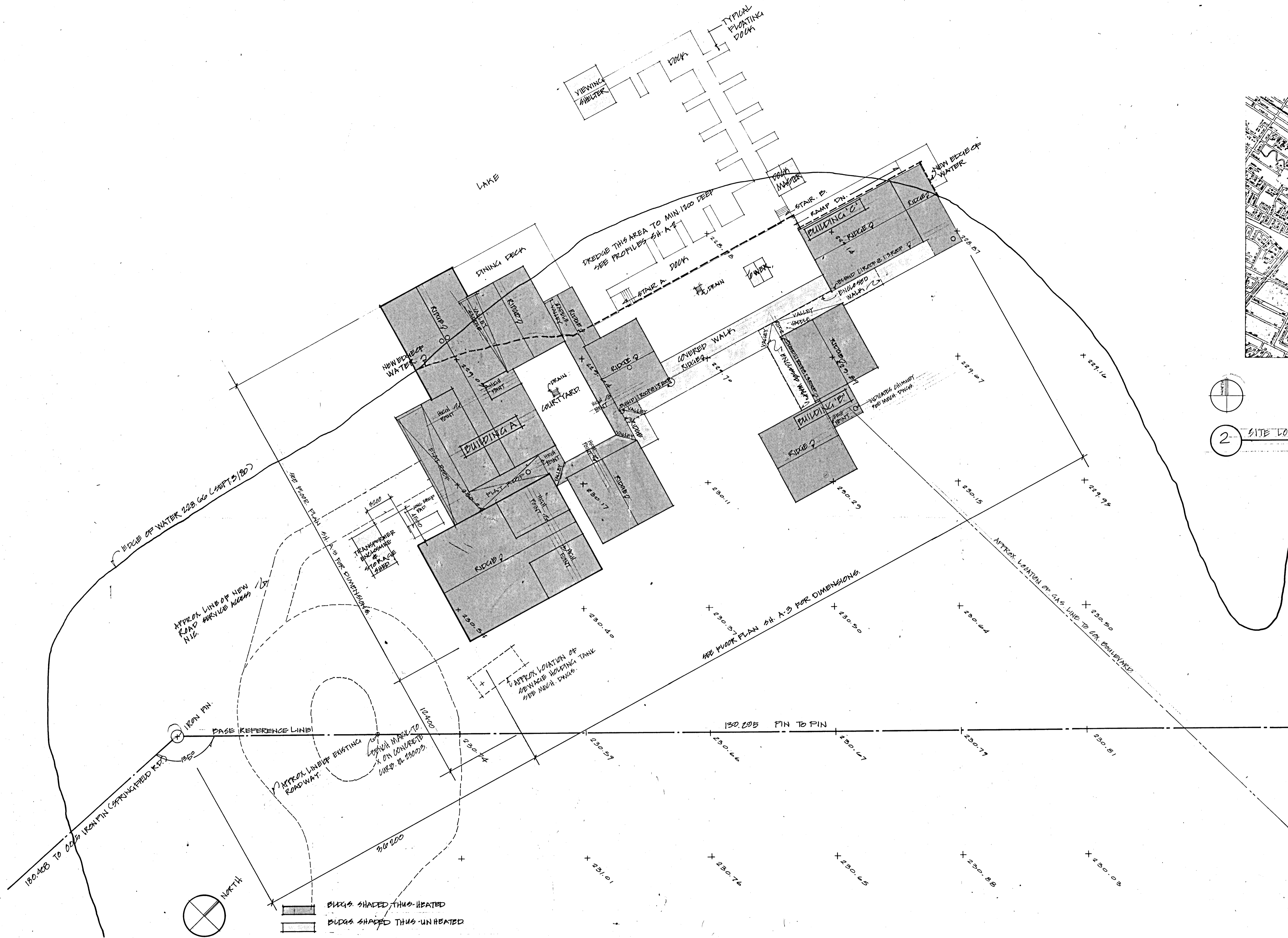


20.117

COX BOULEVARD

20.117

SITE PLAN DATED SEPT 4/80
 REV. SEPT 22/80
 FILE No. EK 5146 - CITY OF WINNIPEG
 37.795
 FEB. 170 - P. 24-28
 A-00



2. SITE LOCATION MAP

BUXES SHADED THUS - HEATED

 BUXES SHADED THUS - UNHEATED

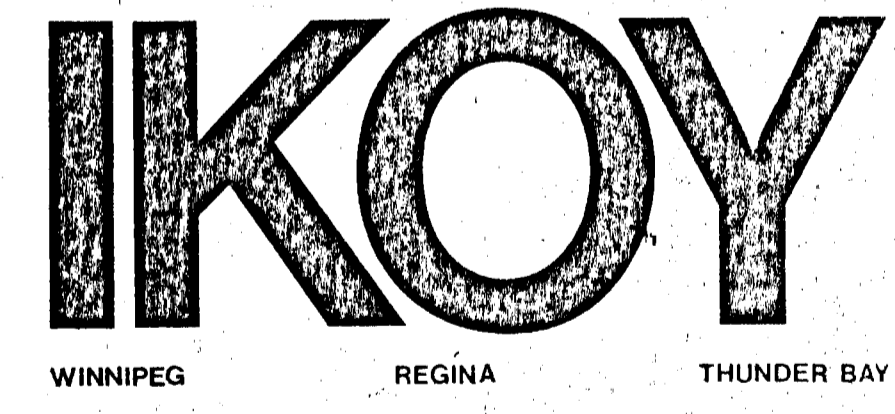
1. SITE PLAN GENERAL

 1:200

 NOTE: GRADES SHOWN BASED ON SURVEY DRAWING DATED SEPT 4, 1980 BY CITY OF WINNIPEG.

 SEE SH. A-2 SITE PLAN FOR GRADING.

 SEE FLOOR PLAN SH. A-3 FOR DIMENSIONS.



R D KEENBERG

 Designer

 Approved by

 General Manager

 City of Winnipeg

 S. YAMASHITA

 REGISTERED ARCHITECT

 Director of City Properties

 City of Winnipeg

PROJECT

NORTHEAST PARK RECREATION BUILDING

 FOR

THE CITY OF WINNIPEG

 SHEET TITLE

SITE PLAN - GENERAL

DRAWN BY

 DATE

 NOV 80

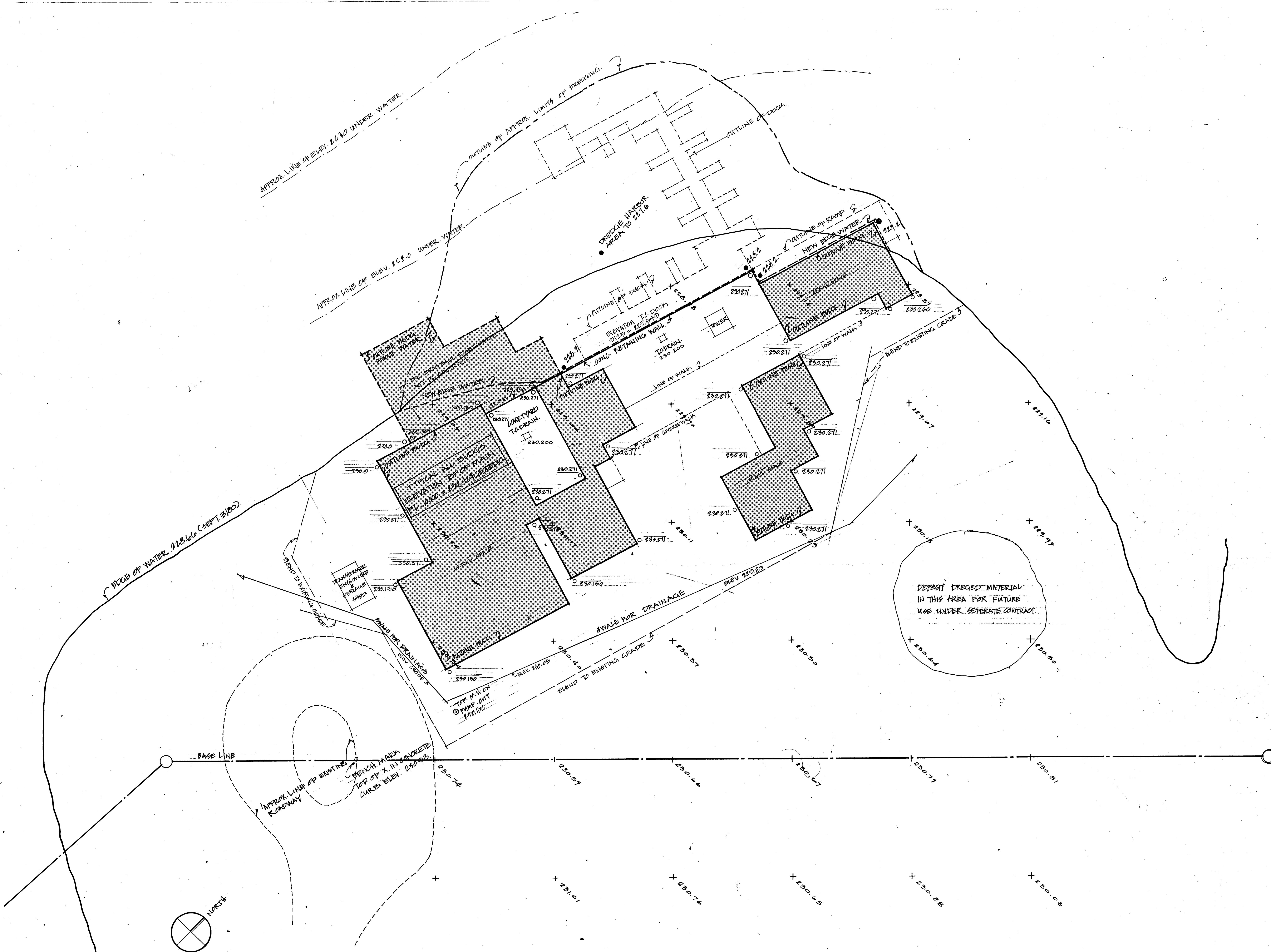
 SHEET NO.

 CHECKED

 FILE

 80 107

A1



SITE PLAN GRADING & DREDGING.

1:200

NOTE: GRADES SHOWN BASED ON SURVEY DRAWING DATED SEPT 4, 1980 BY CITY OF WINNIPEG.
 SEP SH. A.1. SITE PLAN FOR GENERAL SITE INFORMATION
 LOW WATER LEVEL 228.4
 NORMAL WATER LEVEL 229.0
 HIGH WATER LEVEL 229.6

+ 228.00 ← INDICATES EXISTING GRADE

○ 228.00 ← INDICATES NEW FINISH GRADE
 ○ 230.00 ← INDICATES NEW ROUGH GRADE

• 228.00 INDICATES GRADE, BTM OFF LAKE (DREDGING).

NOTE: ROUGH GRADE AS INDICATED ONLY; FINISH GRADING NOT IN CONTRACT.

IKOY

WINNIPEG REGINA THUNDER BAY

R. D. KEENBERG
 Designer
 Approved by
 General Manager
 Parks and Recreation
 City of Winnipeg
 Director of Civic Properties
 City of Winnipeg

PROJECT
NORTHEAST PARK RECREATION BUILDING
 FOR
THE CITY OF WINNIPEG
 SITE GRADING

DATE: NOV 80
 FILE: 80 107
A2

GENERAL NOTES

1 TYPICAL EXTERIOR WALL

- wood siding
- building paper
- 12.7 plywood sheathing
- 38 X 140 wood studs at 406 o.c.
- R-20 batt. insul.
- 6 mil poly vapour barrier
- 12.7 drywall
- interior finish (See room finish schedule)

NOTE: Where ceramic tile use 12.7 W.P.D.W.

2 TYPICAL INTERIOR PARTITION

- 12.7 drywall
- wood studs at 406 o.c. (see plan for size)
- 12.7 drywall

3 1 HOUR FIRE SEPARATION

- 15.8 F.R.D.W.
- WD studs at 406 o.c. (see plan for size)
- 15.8 F.R.D.W.

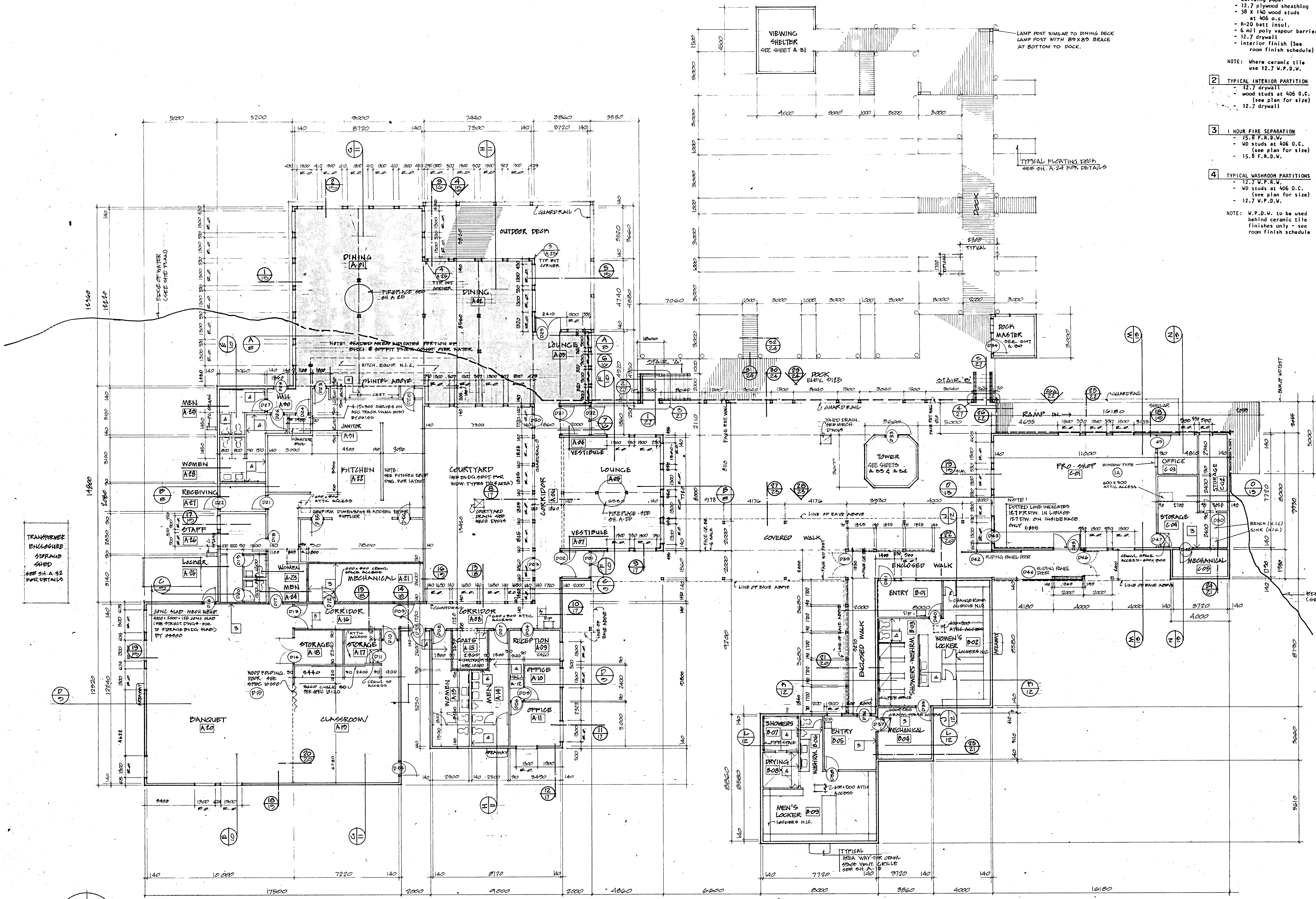
4 TYPICAL WASHROOM PARTITIONS

- 12.7 W.P.R.W.
- WD studs at 406 o.c. (see plan for size)
- 12.7 W.P.D.W.

NOTE: W.P.D.W. to be used behind ceramic tile finishes only - see room finish schedule

- All dimensions are to face of stud or face of concrete unless otherwise noted.
- See sheet A-27 for stair notes and details.
- See sheet A-14 for large scale floor plan building 'B' and all washroom elevations.
- See spec. for door and room finish and colour schedules.
- See floor plan or spec. for wall type, floor type, roof type and suspended ceiling type schedules.
- All exterior wall to be wall type 1 unless otherwise noted.
- All interior partitions to be type 2 unless otherwise noted.

- Letter indicates building section
- Number indicates wall section
- Indicates elevation
- Indicates wall type
- Indicates door number
- Indicates window type



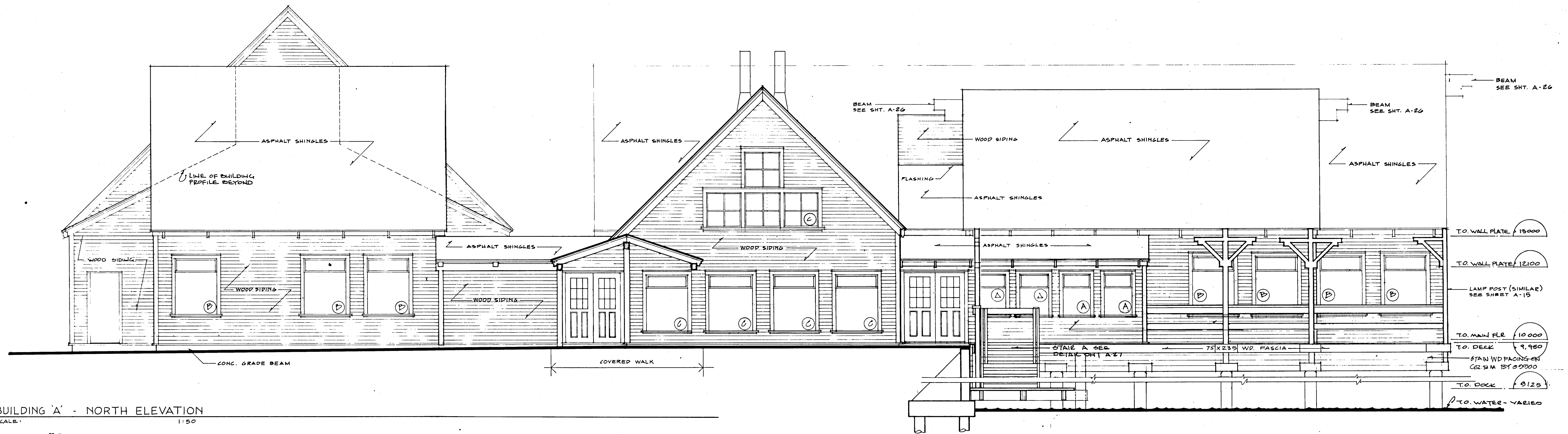
FLOOR PLAN
 SCALE: 1/100
 NOTE: SEE SH. A-14 FOR ENLARGED FLOOR PLAN BLDG. 'B' (LOCKER ROOM)
 SEE SH. A-14 FOR WASHROOM ELEVATIONS
 SEE SH. A-29 FOR WINDOW ELEVATIONS & TYPES

IKOY
 WINNIPEG REGINA THUNDER BAY

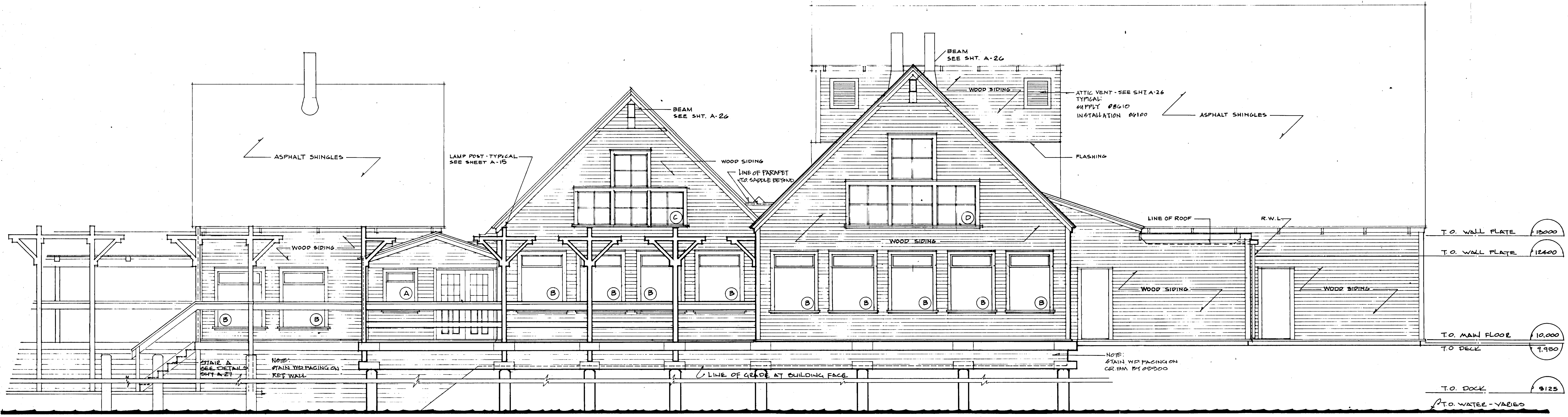
R D KEENBERG
 Designer
 Approved by
 S. YAMASHITA
 General Manager
 Parks and Recreation
 City of Winnipeg
 Director of Civic Properties
 City of Winnipeg

PROJECT
NORTHEAST PARK RECREATION BUILDING
 FOR
THE CITY OF WINNIPEG
 SHEET TITLE
FLOOR PLAN

DRAWN BY: _____ DATE: NOV 80 SHEET NO: A3
 CHECKED: _____ FILE NO: 80 107

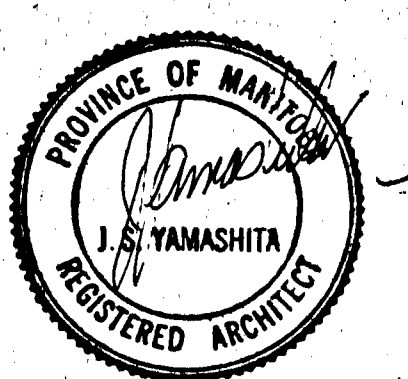


1 BUILDING 'A' - NORTH ELEVATION
SCALE: 1/50
SEE SHEET A-29 FOR WINDOW SCHEDULE



2 BUILDING 'A' - WEST ELEVATION
SCALE: 1/50
SEE SHEET A-29 FOR WINDOW SCHEDULE

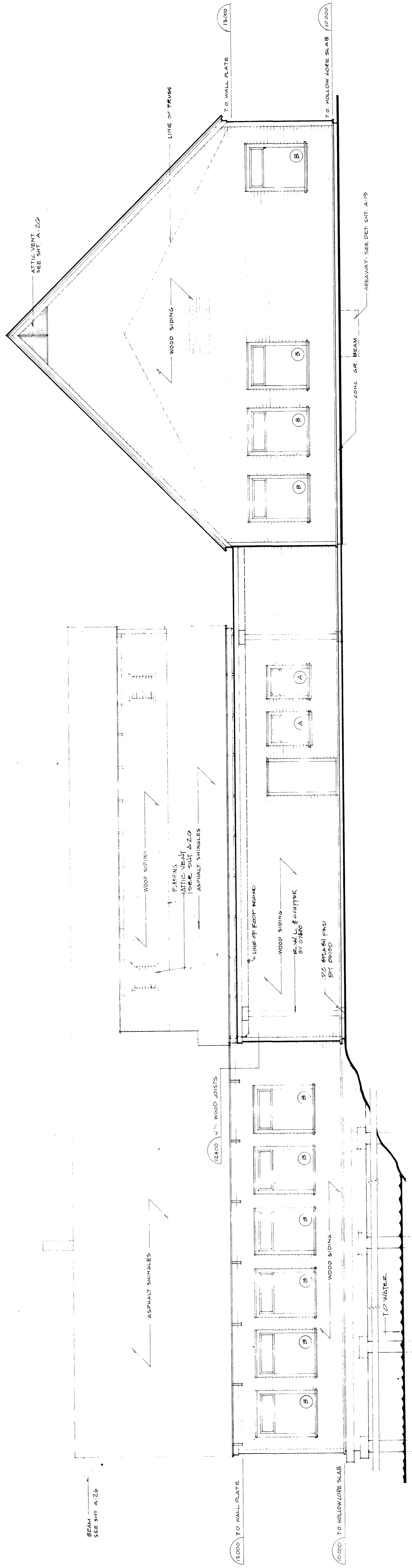
IKOY
WINNIPEG REGINA THUNDER BAY



R. D. KEENBERG
Designer
Approved by
[Signature]
General Manager
Parks and Recreation
City of Winnipeg
Director of Civic Properties
City of Winnipeg

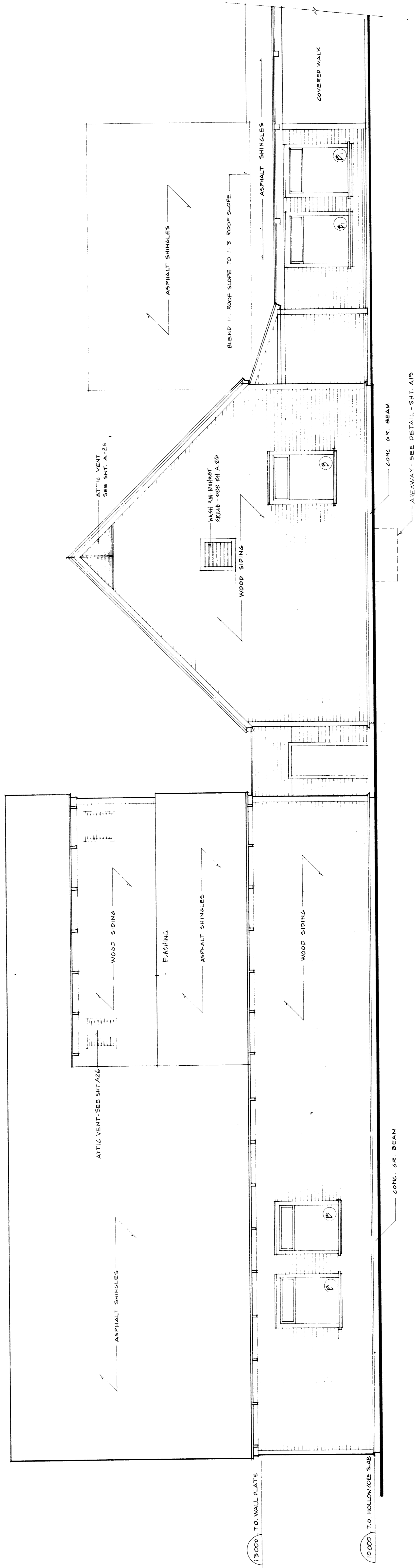
PROJECT
NORTHEAST PARK RECREATION BUILDING FOR THE CITY OF WINNIPEG
SHEET TITLE
ELEVATIONS BUILDING A NORTH & WEST

DRAWN BY DATE NOV 80 SHEET NO. A4
CHECKED FILE 80 107



1 BUILDING 'A' - SOUTH ELEVATION
SCALE 1" = 8'

* SEE SHEET A-29 FOR WINDOW SCHEDULE



2 BUILDING 'A' - EAST ELEVATION
SCALE 1" = 8'

* SEE SHEET A-29 FOR WINDOW SCHEDULE

I KOY
INCORPORATED
WISCONSIN

R. D. REEBERG
REGISTERED ARCHITECT
THUNDER BAY
WISCONSIN

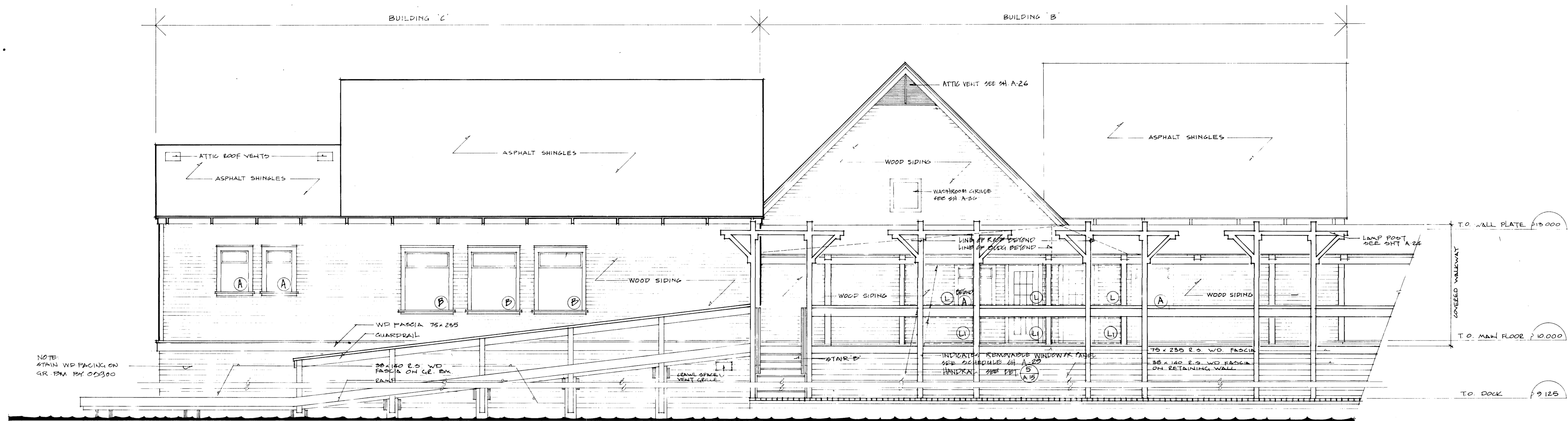


NORTHEAST PARK
RECREATION BUILDING

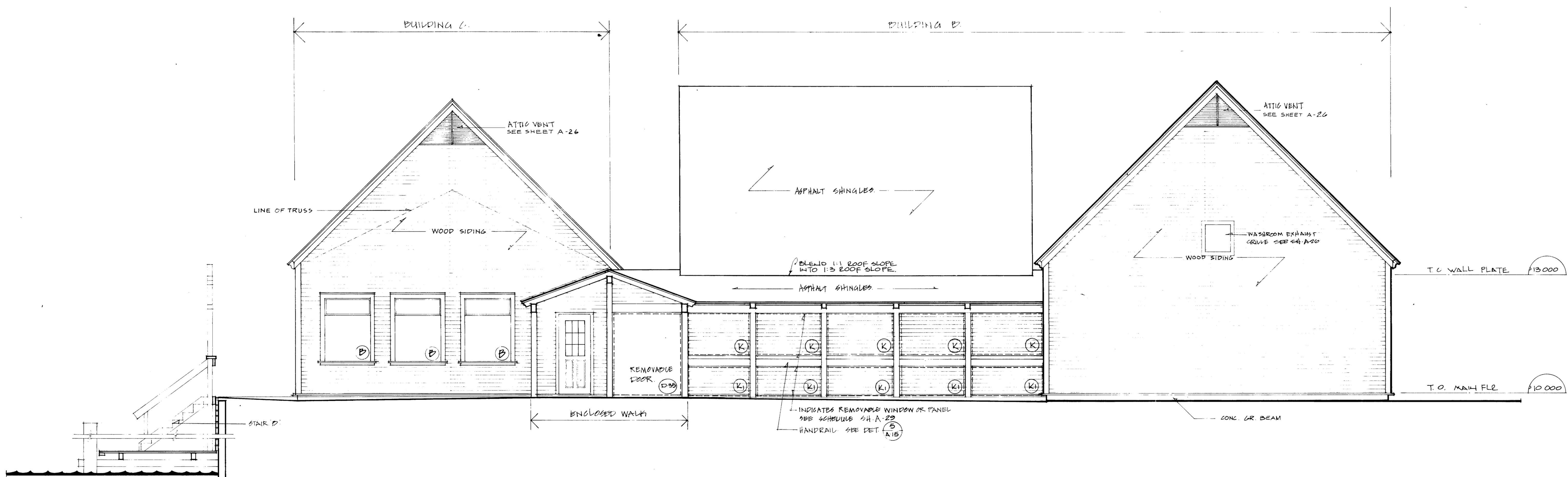
FOR THE CITY OF WINNIPEG

ELEVATIONS
BUILDING 'A'
SOUTH & EAST

SHEET NO. 1111
DATE: 11/11/57
DRAWN BY: R. D. REEBERG
CHECKED BY: R. D. REEBERG
SCALE: AS SHOWN
SHEET NO. **A5**



1 BUILDINGS B & C - WEST ELEVATION
 SCALE: 1:50
 * SEE SHEET A-29 FOR WINDOW SCHEDULE



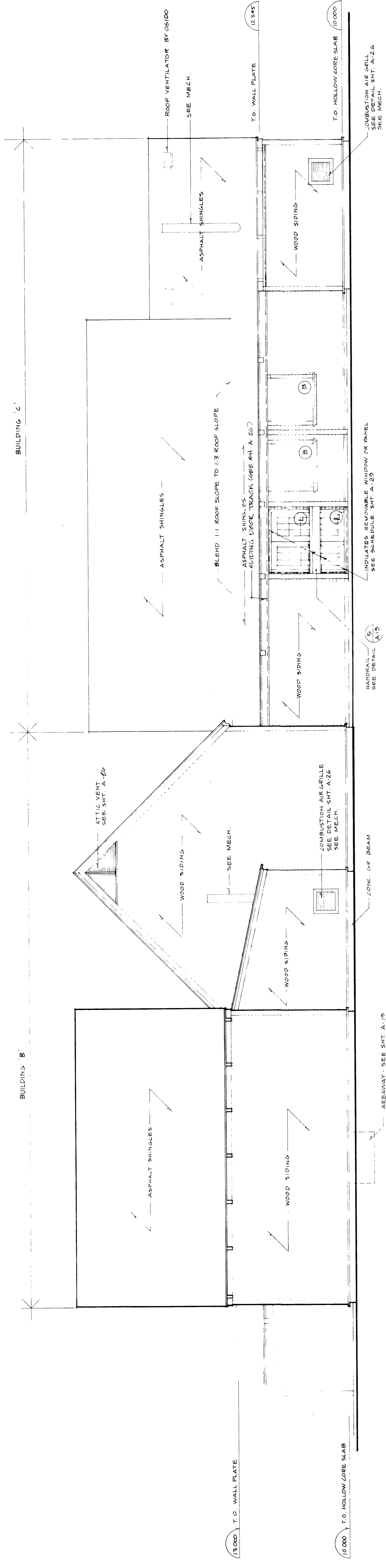
2 BUILDINGS B & C SOUTH ELEVATION
 SCALE: 1:50
 * SEE SHEET A-29 FOR WINDOW SCHEDULE

KOY
 WINNIPEG REGINA THUNDER BAY

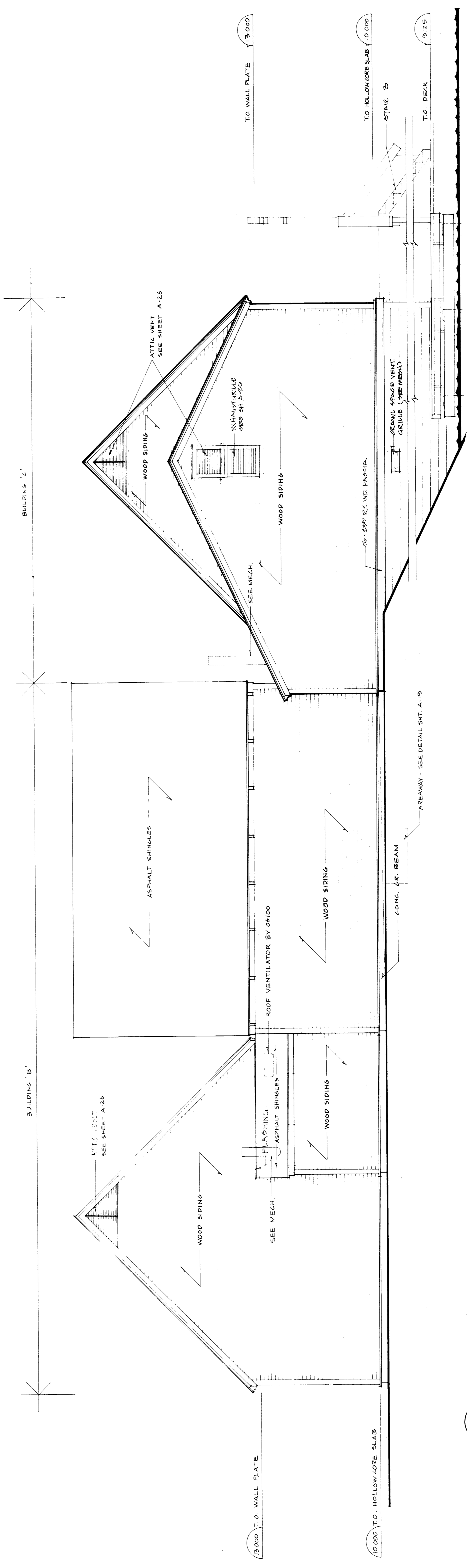
R. D. KEENBERG
 Designer
 Approved by
 S. YAMASHITA
 General Manager
 Parks and Recreation
 City of Winnipeg
 Director of Civic Properties
 City of Winnipeg

PROJECT
NORTHEAST PARK RECREATION BUILDING
 FOR
THE CITY OF WINNIPEG
 SHEET TITLE
ELEVATIONS BUILDINGS B & C WEST & SOUTH

DRAWN BY DATE NOV 80 SHEET NO
 CHECKED FILE 80 107 **A6**



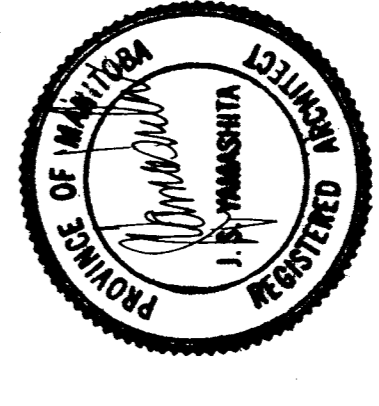
1 BUILDING B & C - EAST ELEVATION
SCALE: 1/80
* SEE SHEET A-23 FOR WINDOW SCHEDULE



2 BUILDING B & C - NORTH ELEVATION
SCALE: 1/80

I KOY
WINNIPEG REGINA THUNDER BAY

R D KEENBERG
Designer
Approved by
General Manager
Parks and Recreation
City of Winnipeg
Director of Civic Properties
City of Winnipeg



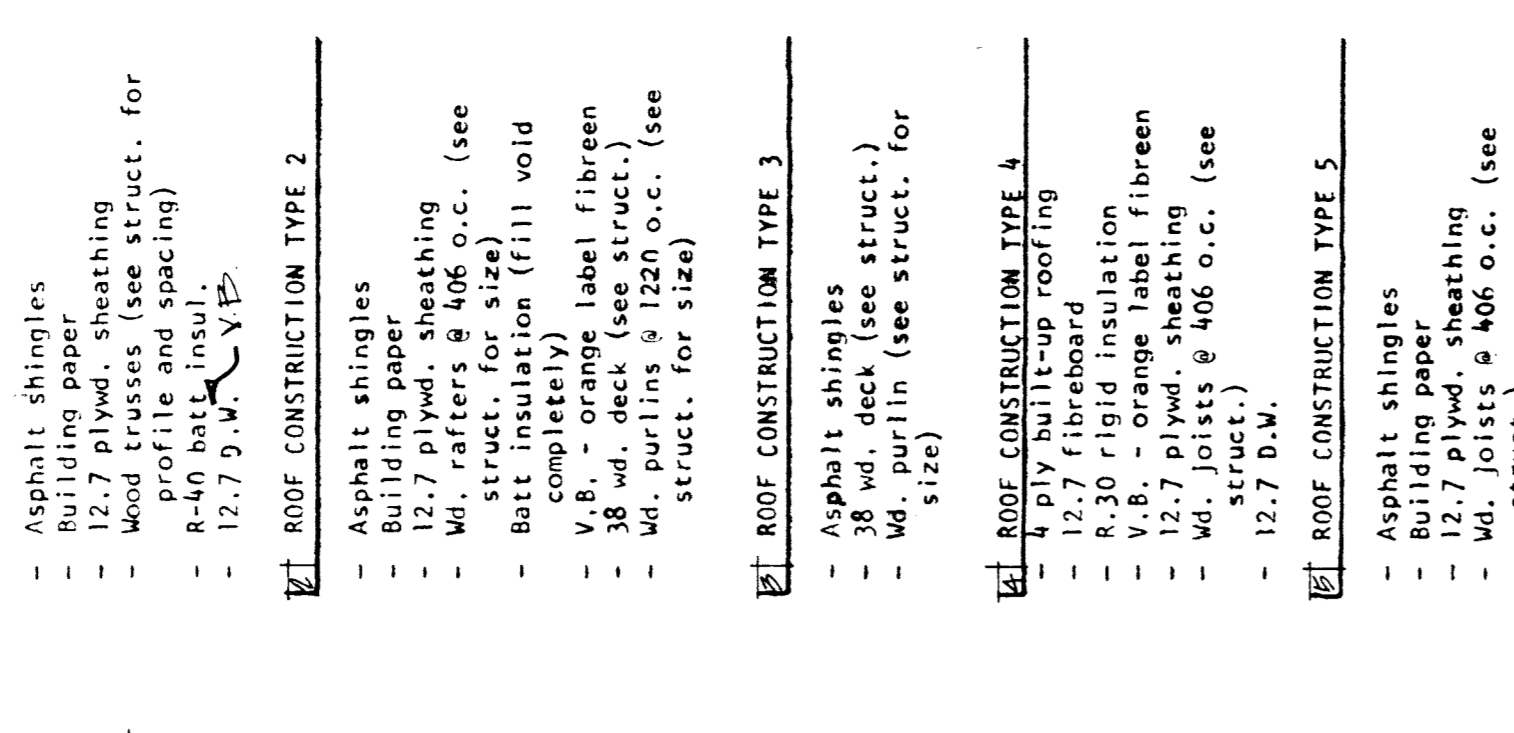
PROJECT: **NORTHEAST PARK RECREATION BUILDING**
FOR: **THE CITY OF WINNIPEG**
SHEET TITLE: **ELEVATIONS B & C EAST & NORTH**
DRAWN BY: [Name]
DATE: [Date]
CHECKED BY: [Name]
SCALE: 1/80

90 007

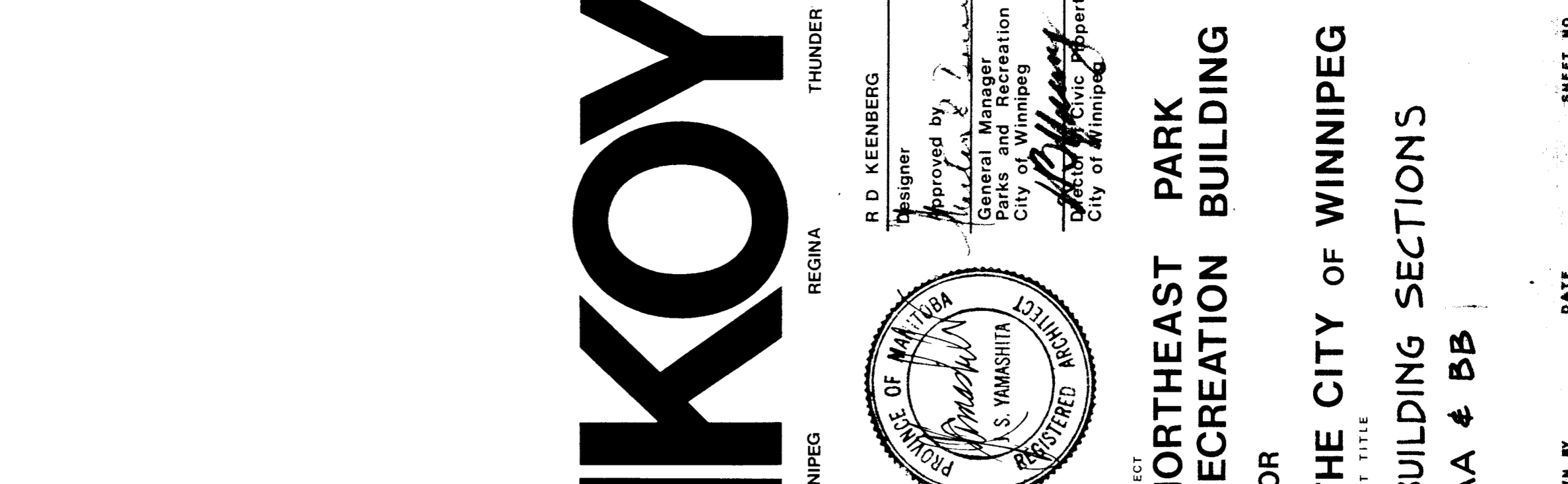
- FLOOR CONSTRUCTION TYPE 1**
- Floor finish (see finish schedule)
 - P.C. hollow core slabs (see struct.)
 - Note: location of C.I.P. on conc. slabs in lieu of 200 X 1220 P.C. hollow core slabs
- FLOOR CONSTRUCTION TYPE 2**
- Floor finish (see finish schedule)
 - 200 X 1220 P.C. hollow core slabs (see struct.)
 - 1 layer 38 X 89 @ 610 o.c.
 - 2 layers 38 X 89 @ 610 o.c.
 - 12.7 p.c. (see spec.)

- ROOF CONSTRUCTION TYPE 1**
- Asphalt shingles
 - 12.7 plyd. sheathing
 - Wood trusses (see struct. for profile and spacing)
 - R-40 batt insul.
 - 12.7 p.c.
- ROOF CONSTRUCTION TYPE 2**
- Asphalt shingles
 - Building paper
 - 12.7 plyd. sheathing
 - Wd. rafters @ 406 o.c. (see struct. for size)
 - V.B. - orange label fibren completely
 - 8 wd. deck (see struct.)
 - Wd. joists @ 406 o.c. (see struct. for size)
- ROOF CONSTRUCTION TYPE 3**
- Asphalt shingles
 - Wd. rafters (see struct.)
 - Wd. gullin (see struct. for size)
- ROOF CONSTRUCTION TYPE 4**
- 12.7 ply built-up roofing
 - R-30 rigid insulation
 - V.B. - orange label fibren
 - 12.7 plyd. sheathing
 - Wd. joists @ 406 o.c. (see struct. for size)
 - 12.7 D.W.
- ROOF CONSTRUCTION TYPE 5**
- Asphalt shingles
 - Building paper
 - Wd. joists @ 406 o.c. (see struct.)
 - Batt insulation - fill void
 - 6 mil poly V.B.
 - 12.7 D.W.

- TYPICAL EXTERIOR WALL**
- wood siding
 - building paper
 - 12.7 plyd. sheathing
 - 38 X 89 wood studs at 406 o.c.
 - R-20 batt insul.
 - 6 mil poly vapour barrier
 - 12.7 plyd. sheathing
 - floor finish (see room finish schedule)
- NOTE: Where ceramic tile use 12.7 p.c.
- TYPICAL INTERIOR PARTITION**
- 12.7 drywall at 406 o.c.
 - wood studs at 406 o.c. (see spec. for size)
 - 12.7 drywall
- 1 HOUR FIRE SEPARATION**
- 15.8 F.R.D.W.
 - W.D. studs at 406 o.c. (see spec. for size)
 - 15.8 F.R.D.W.
- PHYSICAL VAPOUR PARTITIONS**
- W.D. studs at 406 o.c. (see plan for size)
 - 12.7 p.c.
- NOTE: W.P.D.W. to be used behind ceramic tile finishes only - see room finish schedule



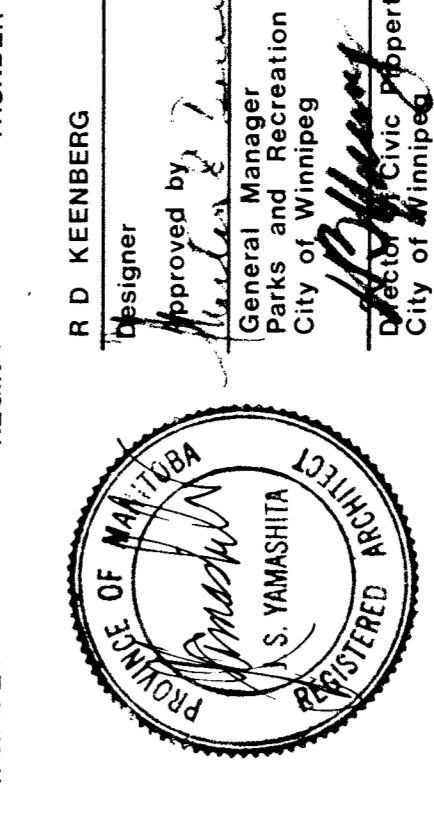
1 CROSS SECTION A-A
SCALE: 1/50



2 CROSS SECTION B-B
SCALE: 1/50

IKOY

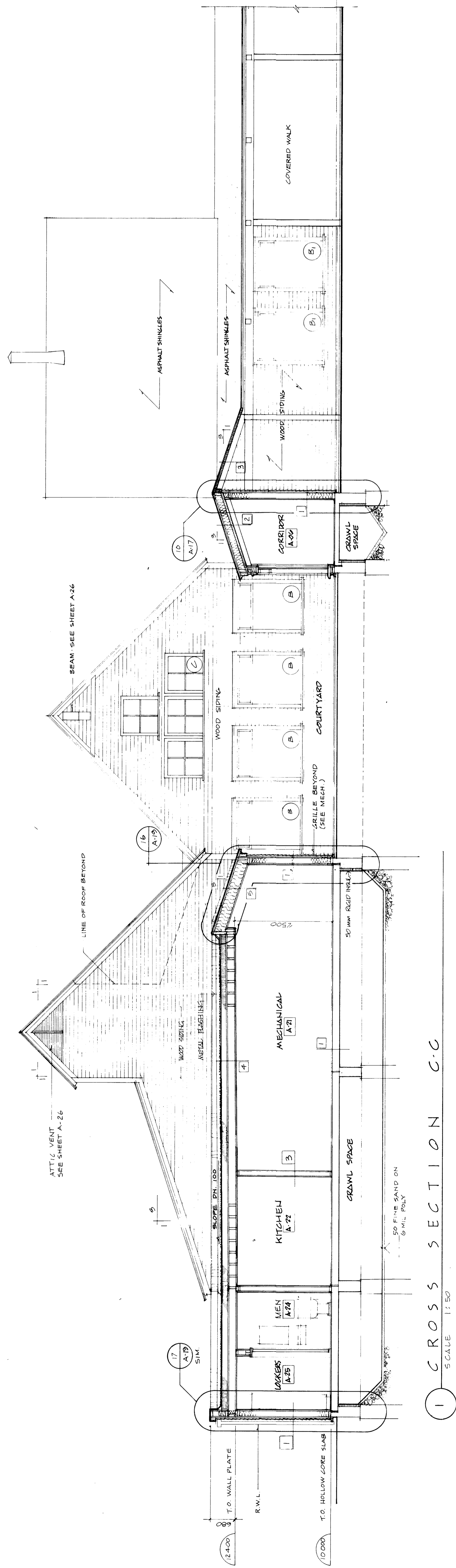
WINNIPEG REGINA THUNDER BAY



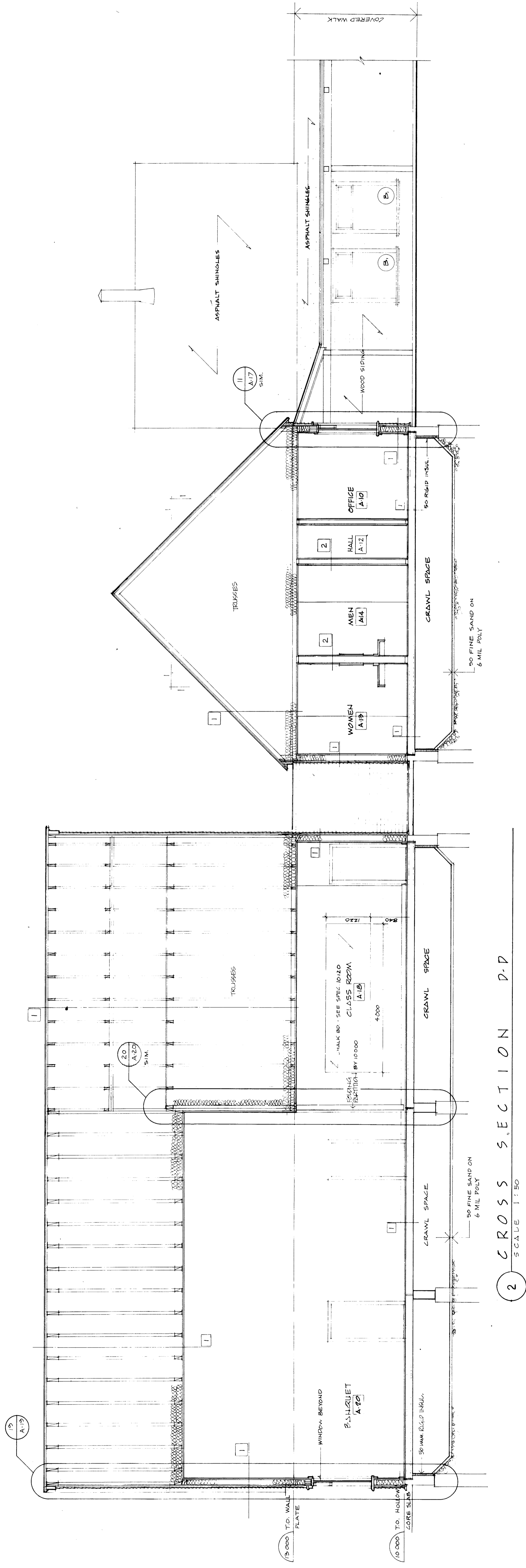
DESIGNED BY
R. D. KEENBERGH
Approved by
S. MANISHITA
General Manager
Parks and Recreation
City of Winnipeg

PROJECT
NORTHEAST PARK RECREATION BUILDING
FOR
THE CITY OF WINNIPEG
SHEET TITLE
BUILDING SECTIONS
AA & BB

DRAWN BY
DATE
NOV 80
CHECKED
FILE
80 107
SHEET NO
A8



1 CROSS SECTION C-C
SCALE 1/4"



2 CROSS SECTION D-D
SCALE 1/4"

I KOY
WINNIPEG REGINA THUNDER BAY

R. D. KEENEBERG
ARCHITECT
THUNDER BAY
Approved by
General Manager
City of Winnipeg
City of Winnipeg
City of Winnipeg

PROJECT
**NORTHEAST PARK
RECREATION BUILDING**
FOR
THE CITY OF WINNIPEG
SHEET TITLE
**BUILDING SECTIONS
CC & DD**

DRAWN BY
NOV 80
CHECKED
FILE
80107
SHEET NO
A9

A10

CHECKED 80 107
DATE NOV 88
DRAWN BY

EE & FF
BUILDING SECTIONS
SHEET TITLE
THE CITY OF WINNIPEG

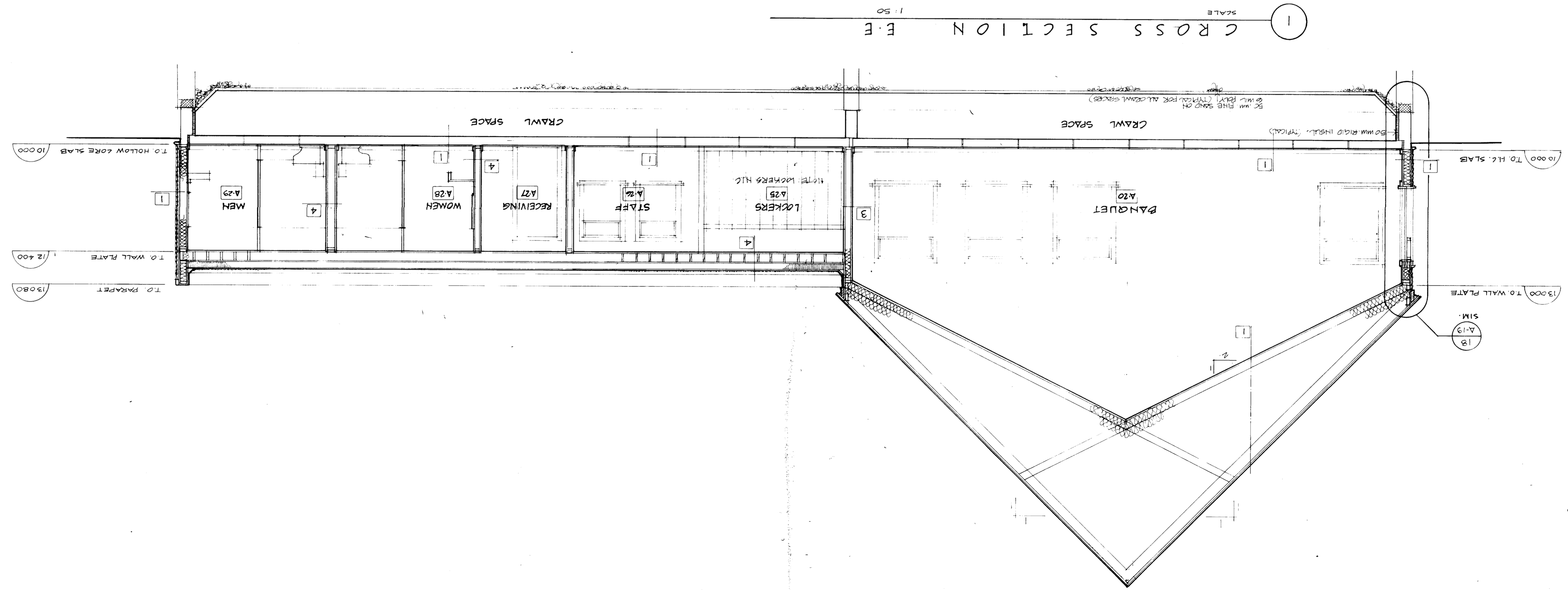
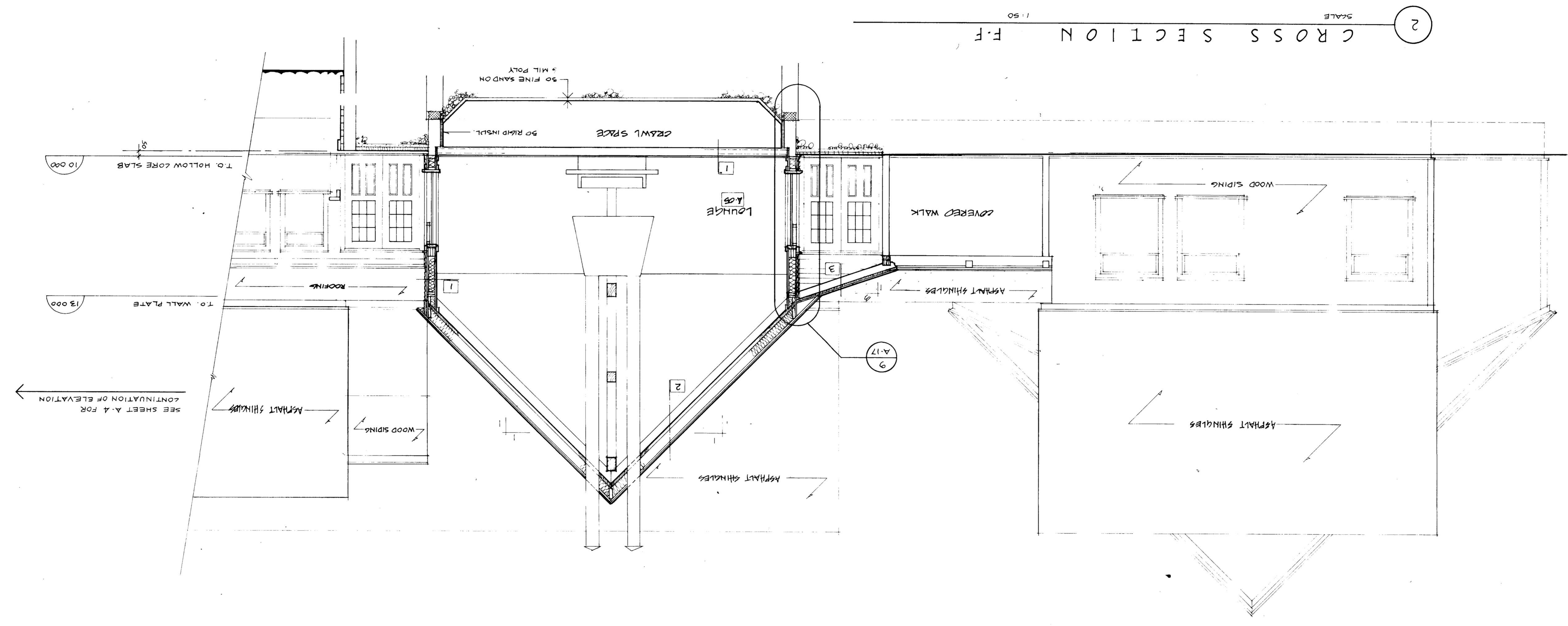
FOR
NORTHEAST PARK
RECREATION BUILDING

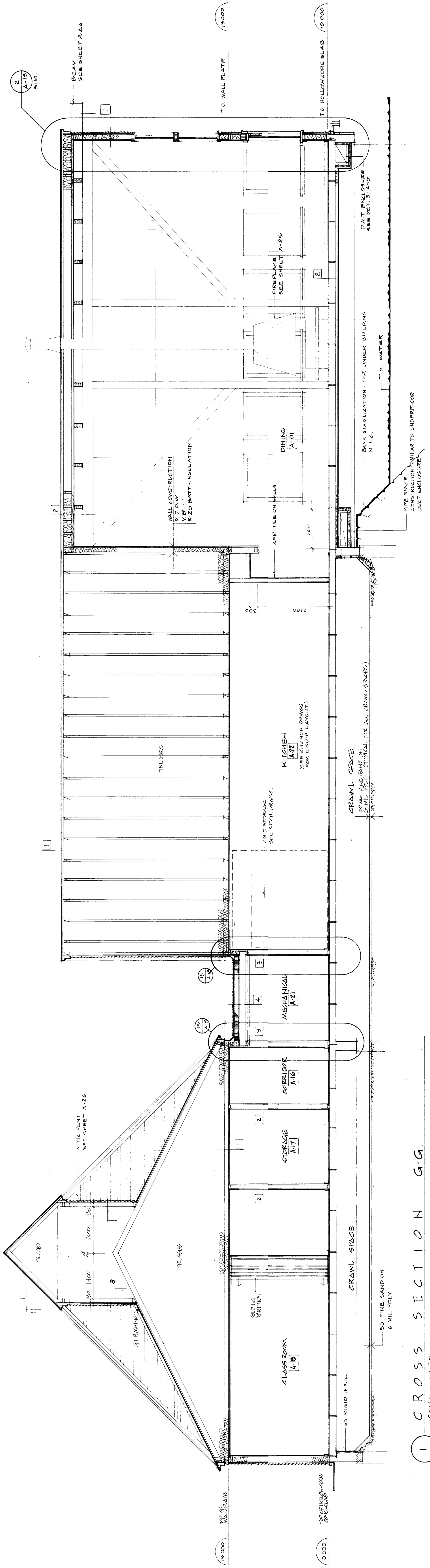
DESIGNED BY R. D. KENBERG
GENERAL MANAGER PARKS AND RECREATION
CITY OF WINNIPEG
DIRECTOR CIVIC OPERATIONS
CITY OF WINNIPEG



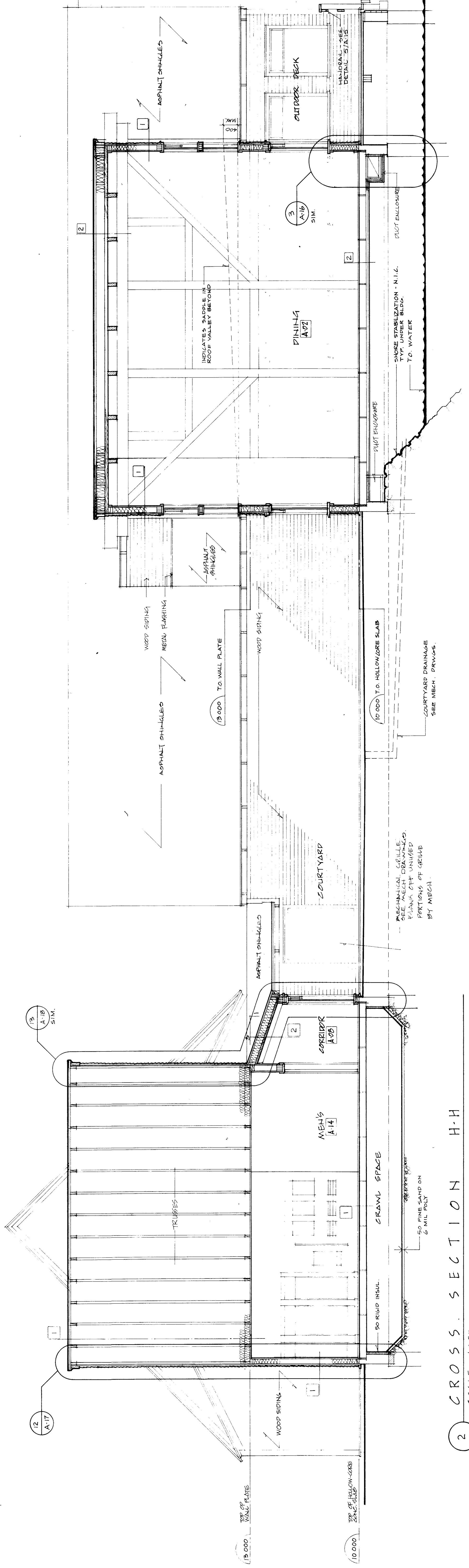
WINNIPEG REGINA THUNDER BAY

IKOY





1 CROSS SECTION G-G
SCALE 1:50



2 CROSS SECTION H-H
SCALE 1:50

I KOY

WINNIPEG REGINA THUNDER BAY

R. D. KEENBERG
Designer

Approved by
General Manager
City of Winnipeg

Approved by
Director of Public Works
City of Winnipeg

Approved by
Director of Planning
City of Winnipeg

Approved by
Director of Engineering
City of Winnipeg

Approved by
Director of Finance
City of Winnipeg

Approved by
Director of Legal Services
City of Winnipeg

Approved by
Director of Information Services
City of Winnipeg

Approved by
Director of Parks and Recreation
City of Winnipeg

Approved by
Director of Public Works
City of Winnipeg

Approved by
Director of Planning
City of Winnipeg

Approved by
Director of Engineering
City of Winnipeg

Approved by
Director of Finance
City of Winnipeg

Approved by
Director of Legal Services
City of Winnipeg

Approved by
Director of Information Services
City of Winnipeg

Approved by
Director of Parks and Recreation
City of Winnipeg

Approved by
Director of Public Works
City of Winnipeg

Approved by
Director of Planning
City of Winnipeg

Approved by
Director of Engineering
City of Winnipeg

Approved by
Director of Finance
City of Winnipeg

Approved by
Director of Legal Services
City of Winnipeg

Approved by
Director of Information Services
City of Winnipeg

Approved by
Director of Parks and Recreation
City of Winnipeg

Approved by
Director of Public Works
City of Winnipeg

Approved by
Director of Planning
City of Winnipeg

Approved by
Director of Engineering
City of Winnipeg

Approved by
Director of Finance
City of Winnipeg

Approved by
Director of Legal Services
City of Winnipeg

Approved by
Director of Information Services
City of Winnipeg

Approved by
Director of Parks and Recreation
City of Winnipeg

Approved by
Director of Public Works
City of Winnipeg

Approved by
Director of Planning
City of Winnipeg

Approved by
Director of Engineering
City of Winnipeg

Approved by
Director of Finance
City of Winnipeg

Approved by
Director of Legal Services
City of Winnipeg

Approved by
Director of Information Services
City of Winnipeg

SHEET NO. 80107

DATE NOV 80

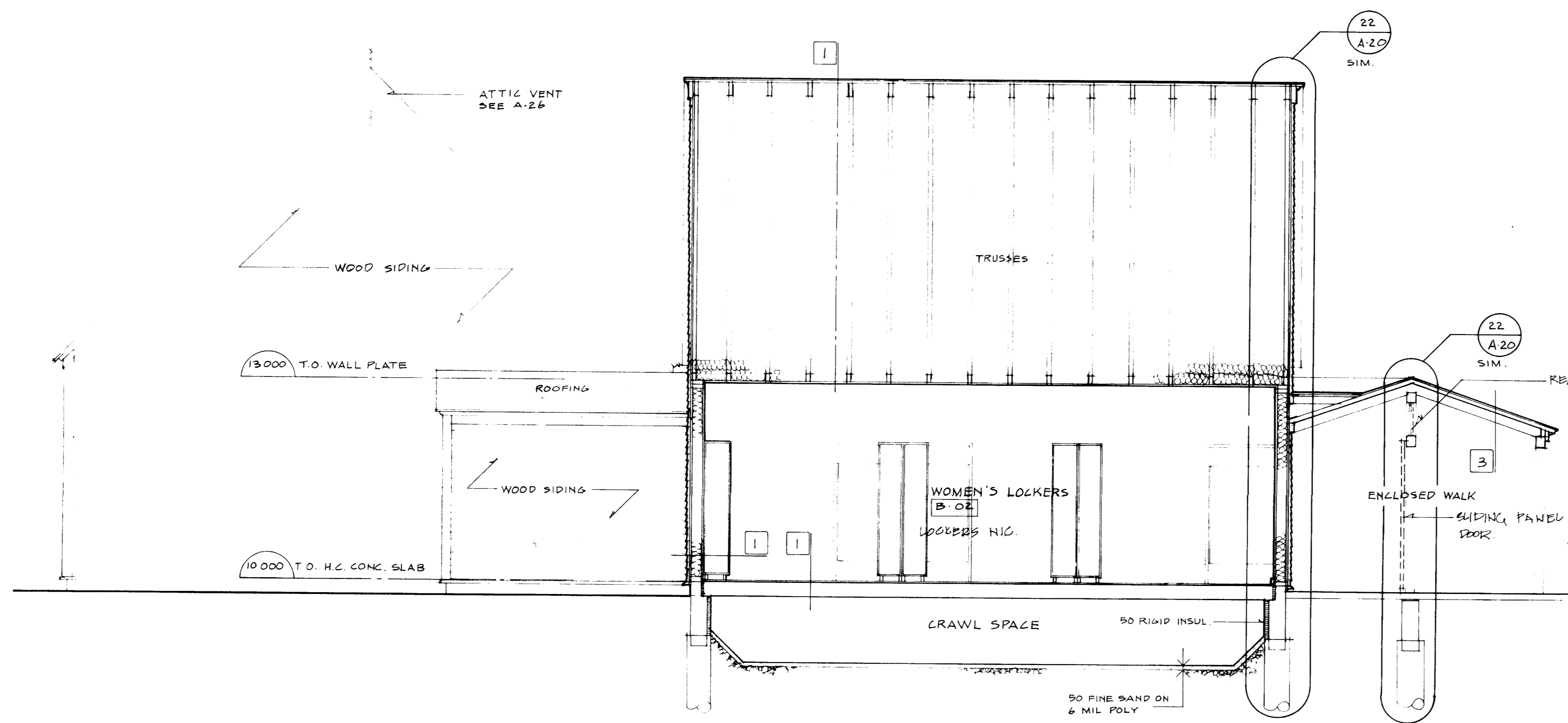
DRAWN BY

CHECKED

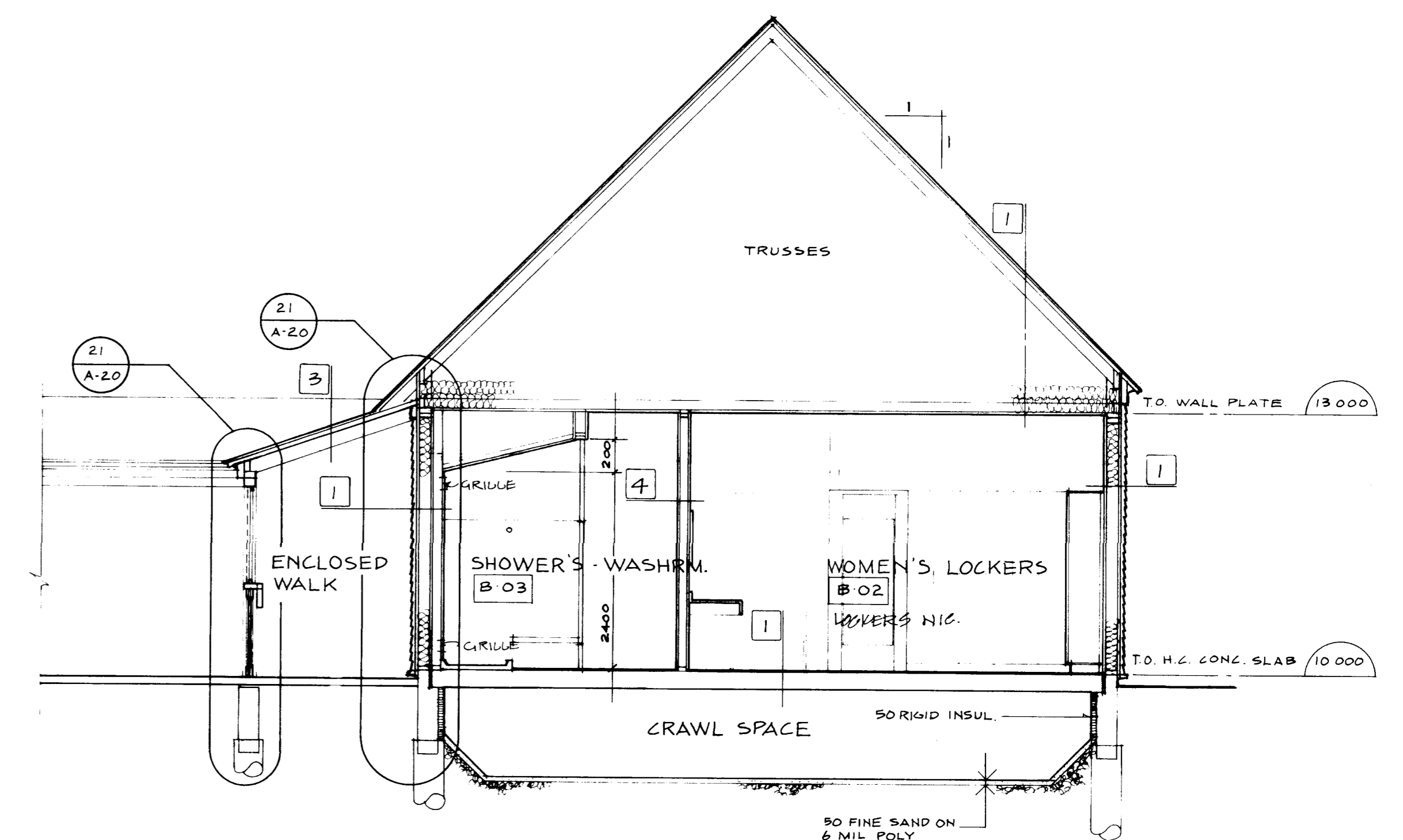
FILE 80107

A11

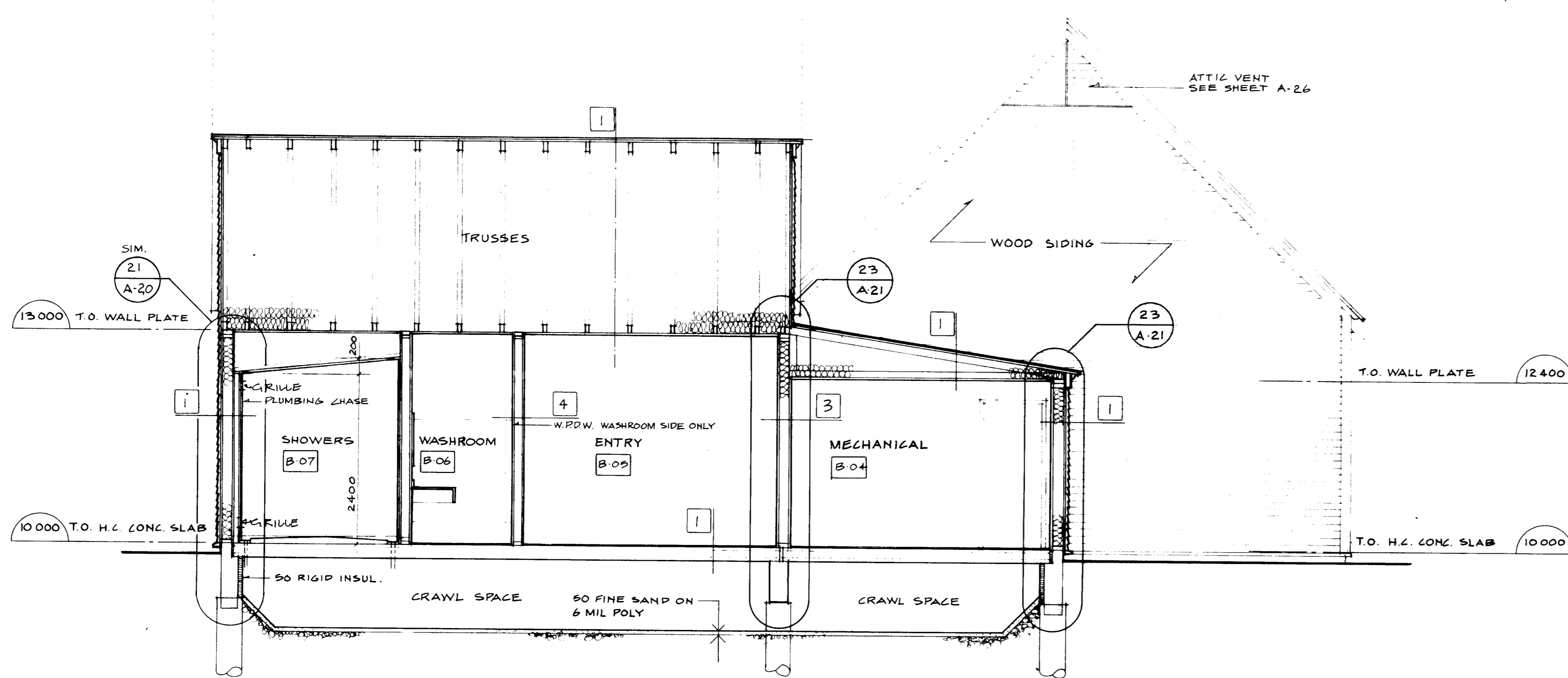
PROJECT
NORTHEAST PARK RECREATION BUILDING
FOR
THE CITY OF WINNIPEG
BUILDING SECTIONS
G-G & H-H



1 CROSS SECTION J-J
SCALE: 1/50



2 CROSS SECTION K-K
SCALE: 1/50



3 CROSS SECTION L-L
SCALE: 1/50

1 TYPICAL EXTERIOR WALL

- wood siding
- building paper
- 12.7 plywd sheathing
- 38 X 140 wood studs at 406 o.c.
- R-20 batt insul.
- 6 mil poly vapour barrier
- 12.7 drywall
- interior finish (see room finish schedule)

NOTE: Where ceramic tile use 12.7 W.P.D.W.

2 TYPICAL INTERIOR PARTITION

- 12.7 drywall
- wood studs at 406 o.c. (see plan for size)
- 12.7 drywall

3 1 HOUR FIRE SEPARATION

- 15.8 F.R.D.W.
- 40 studs at 406 o.c. (see plan for size)
- 15.8 F.R.D.W.

4 TYPICAL WASHROOM PARTITIONS

- 12.7 W.P.R.W.
- 40 studs at 406 o.c. (see plan for size)
- 12.7 W.P.D.W.

NOTE: W.P.D.W. to be used behind ceramic tile finishes only - see room finish schedule

5 FLOOR CONSTRUCTION TYPE 1

- Floor finish (see finish schedule)
- P.C. hollow core slabs (see struct.)
- Notes: See struct. dws. for location of C.I.P. con conc. slabs in lieu of 200 X 1220 P.C. hollow core slabs

6 FLOOR CONSTRUCTION TYPE 2

- Floor finish (see finish schedule)
- 200 X 1220 P.C. hollow core slabs (see struct.)
- 1 layer 38 X 85 @ 610 o.c. each way W.P. STICKERING
- 2 layers 38 rigid insul. max.
- 12.7 plywd. sheath.

7 ROOF CONSTRUCTION TYPE 1

- Asphalt shingles
- Building paper
- 12.7 plywd. sheathing
- Wood trusses (see struct. for profile and spacing)
- R-40 batt insul.
- 12.7 g.W. V.B. @ 406 o.c.

8 ROOF CONSTRUCTION TYPE 2

- Asphalt shingles
- Building paper
- 12.7 plywd. sheathing
- Mt. rafters @ 406 o.c. (see struct. for size)
- Batt insulation (fill void completely)
- V.B. - orange label fibreen - 38 md. deck (see struct.)
- Mt. purlins @ 1220 o.c. (see struct. for size)

9 ROOF CONSTRUCTION TYPE 3

- Asphalt shingles
- 38 md. deck (see struct.)
- Mt. purlin (see struct. for size)

10 ROOF CONSTRUCTION TYPE 4

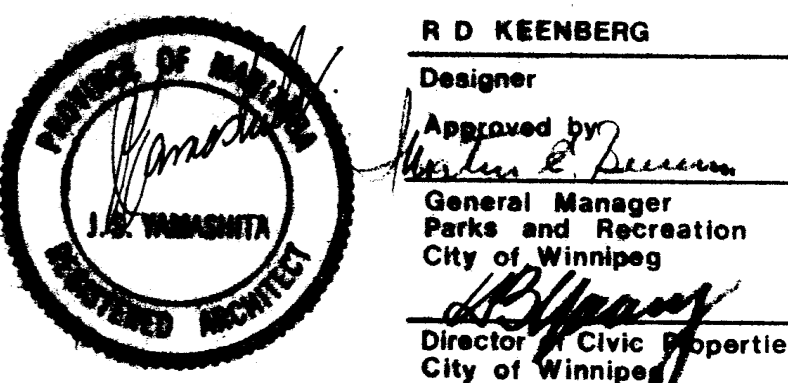
- 4 ply built-up roofing
- 12.7 fibroboard
- R-30 rigid insulation
- V.B. - orange label fibreen
- 12.7 plywd. sheathing
- Mt. joists @ 406 o.c. (see struct.)
- 12.7 D.W.

11 ROOF CONSTRUCTION TYPE 5

- Asphalt shingles
- Building paper
- 12.7 plywd. sheathing
- Mt. joists @ 406 o.c. (see struct.)
- Batt insulation - fill void completely
- 6 mil poly V.B.
- 12.7 D.W.

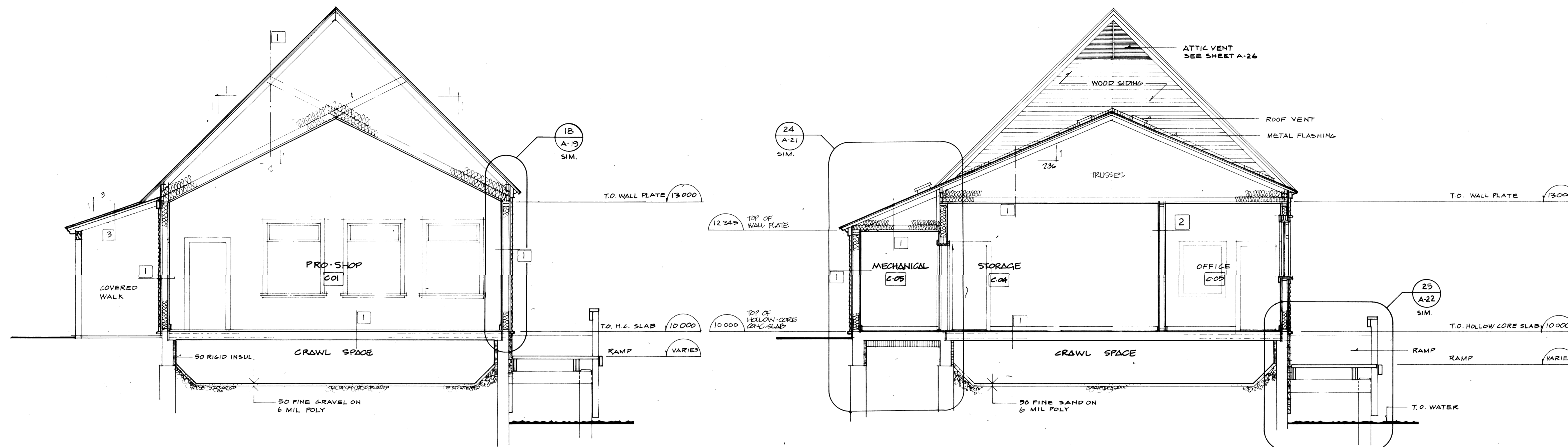
TYPICAL: ACROATIC GUMM ALL JOINTS, LAPS, EDGES OF V.B. - WALL & ROOF

IKOY
WINNIPEG REBORA THUNDER BAY



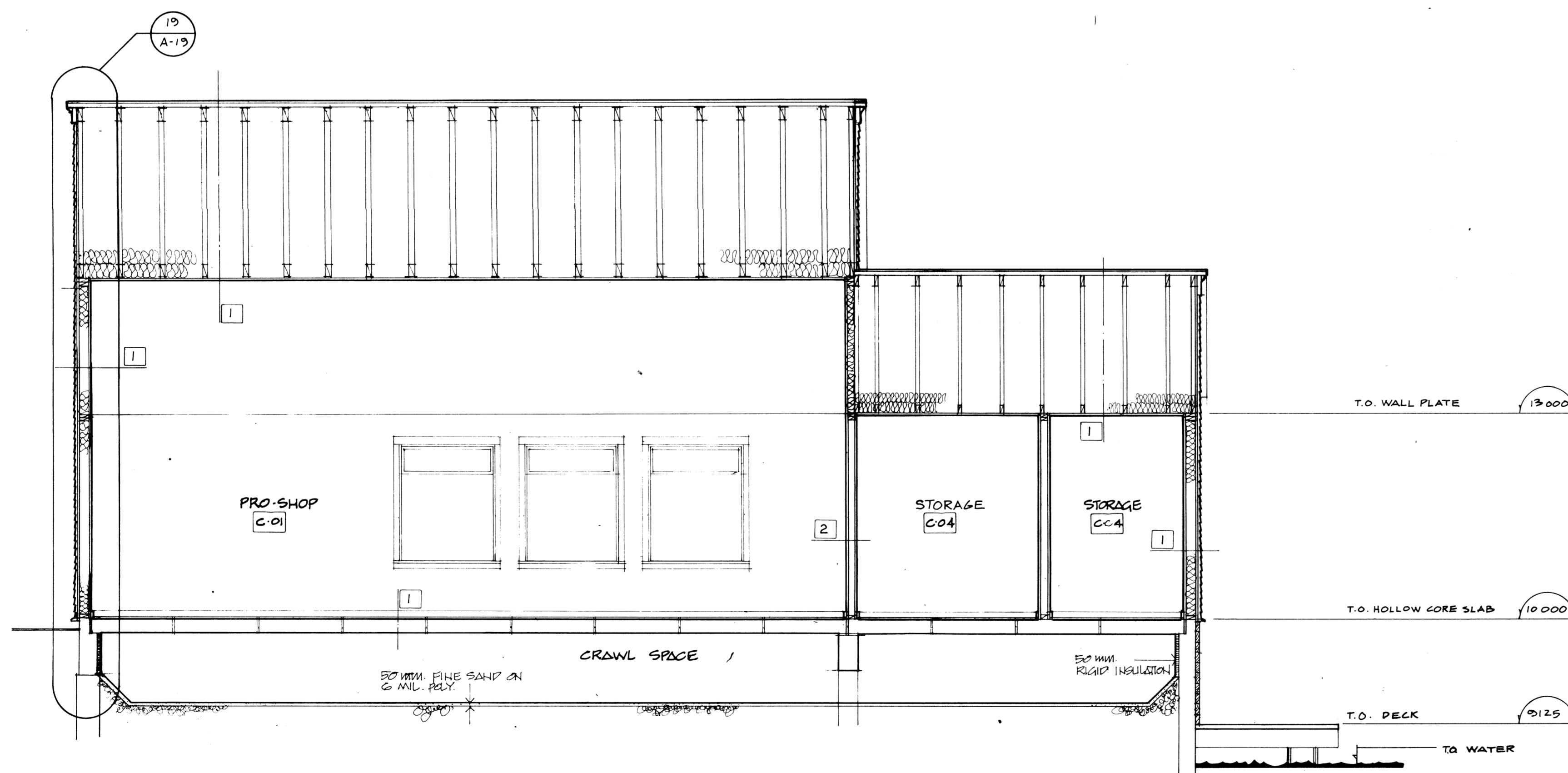
PROJECT: **NORTHEAST PARK RECREATION BUILDING**
FOR: **THE CITY OF WINNIPEG**
SHEET TITLE: **BUILDING SECTIONS J-J, K-K, L-L**

DESIGNED BY: R.D. KEENBERG
DATE: NOV 80
SHEET NO: **A12**



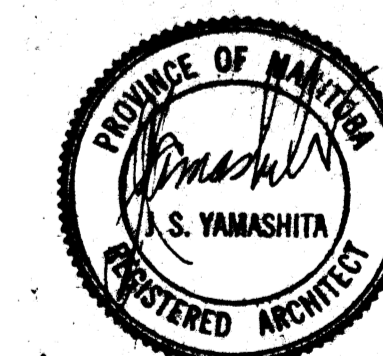
1 CROSS SECTION M-M
SCALE 1:50

2 CROSS SECTION N-N
SCALE 1:50



3 CROSS SECTION O-O
SCALE 1:50

IKOY
WINNIPEG REGINA THUNDER BAY



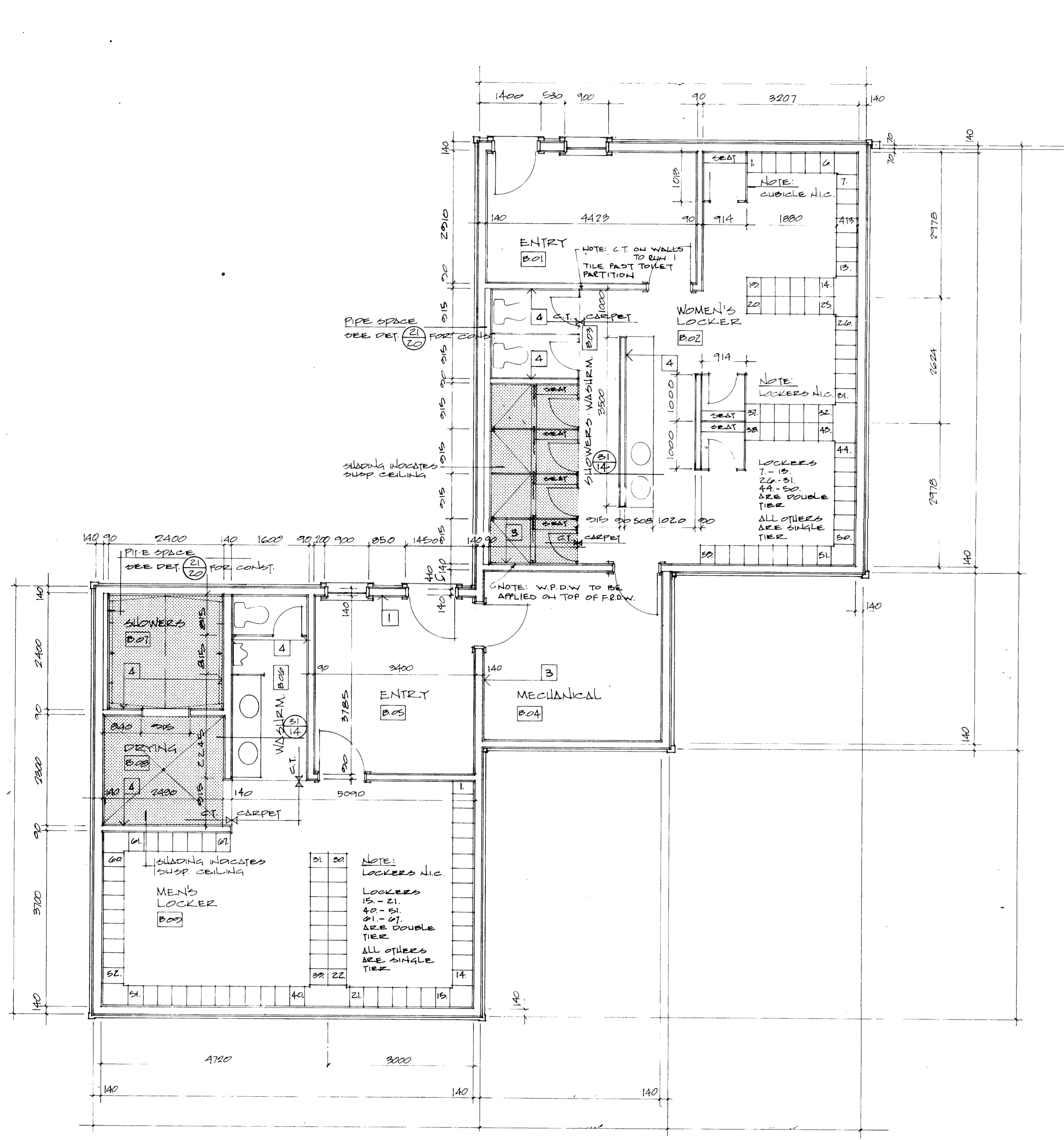
R. D. KEENBERG
Designer
Approved by
Michael Bevan
General Manager
Parks and Recreation
City of Winnipeg
Director of Civic Properties
City of Winnipeg

PROJECT
NORTHEAST PARK RECREATION BUILDING

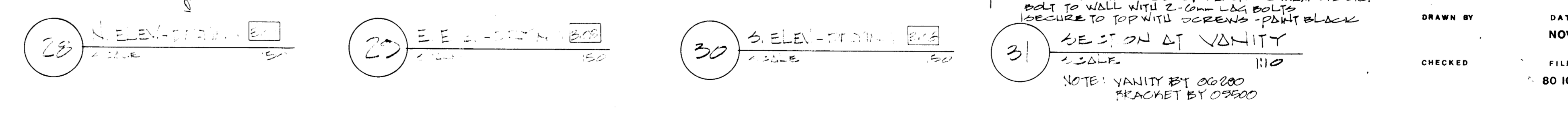
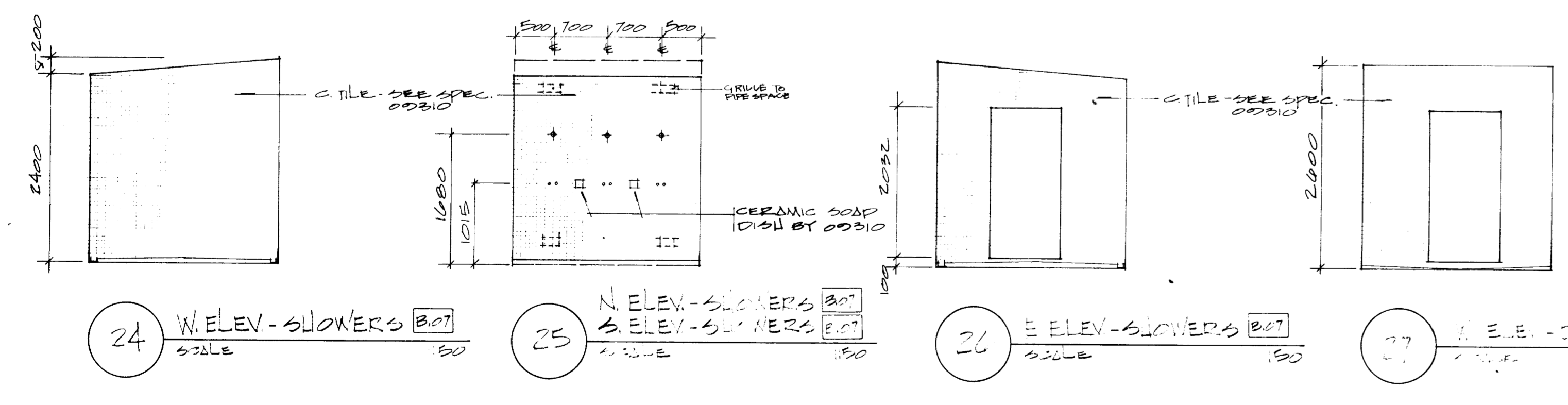
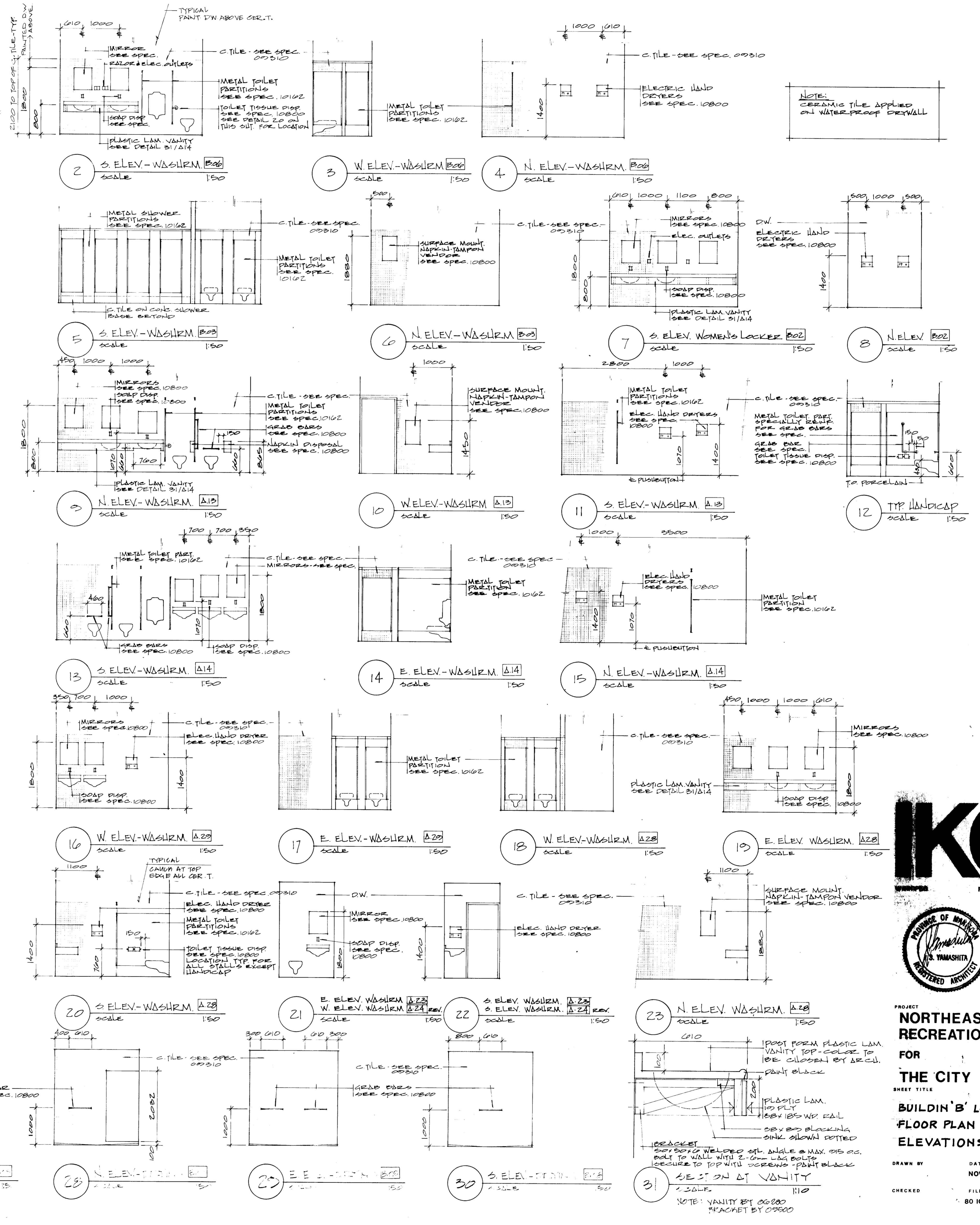
FOR
THE CITY OF WINNIPEG

BUILDING SECTIONS
REV. 11/10

A13



1 ENLARGED FLOOR PLAN BUILDING 'B' LOCKER ROOMS
SCALE 1/50
NOTE: ENCLOSED WALK NOT SHOWN - SEE SH A-3.



KOY
REGINA THUNDER BAY

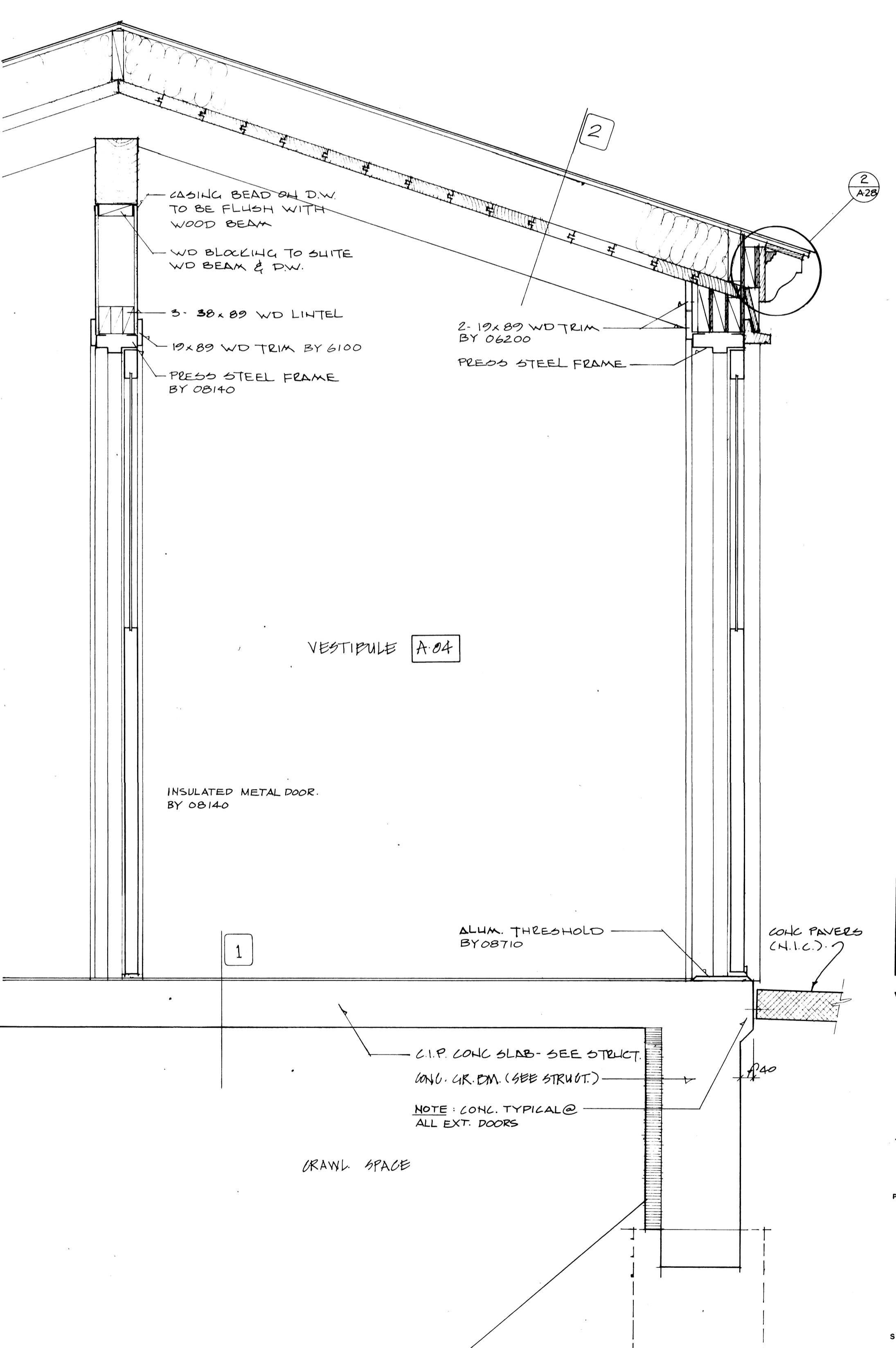
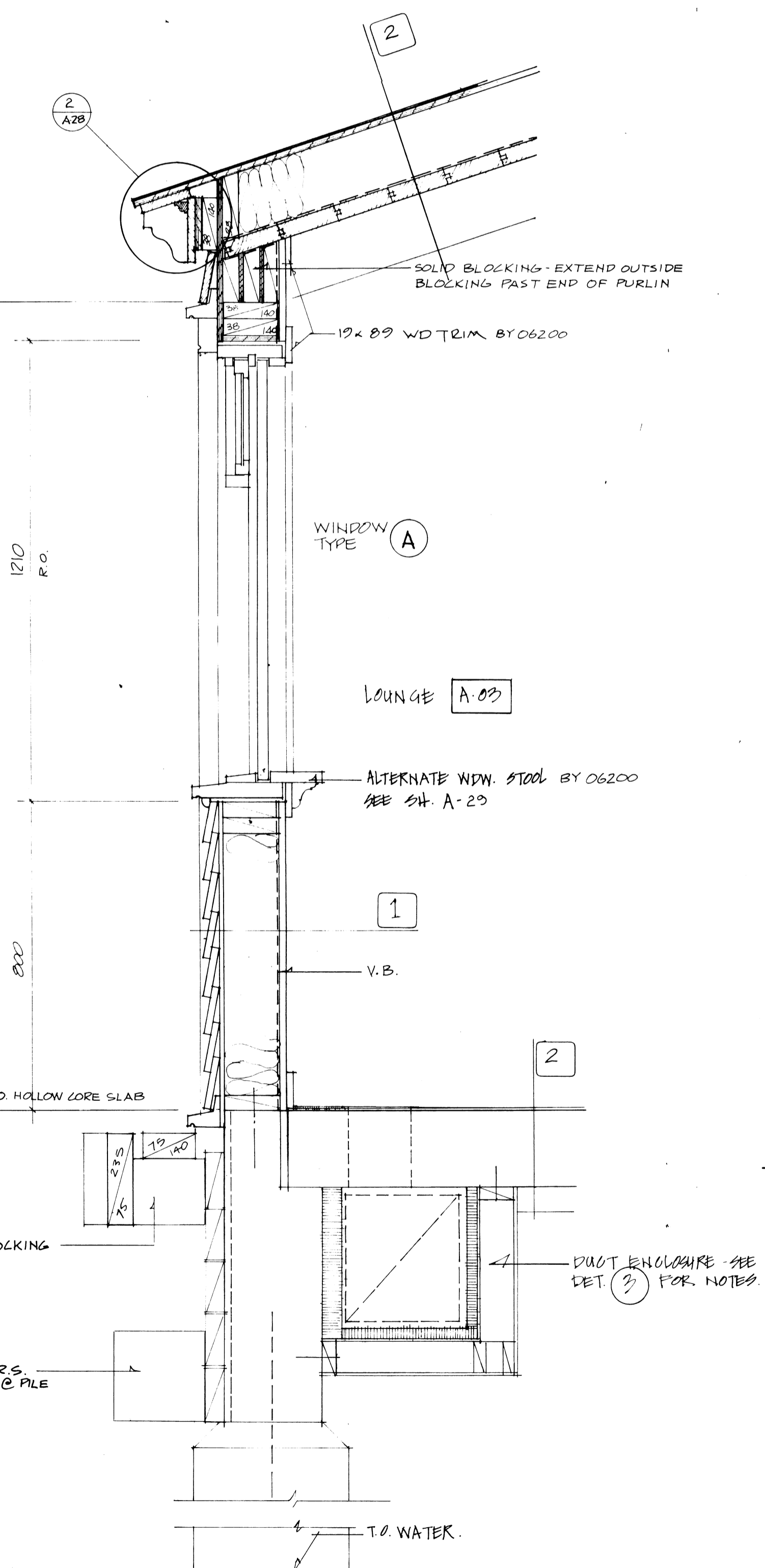
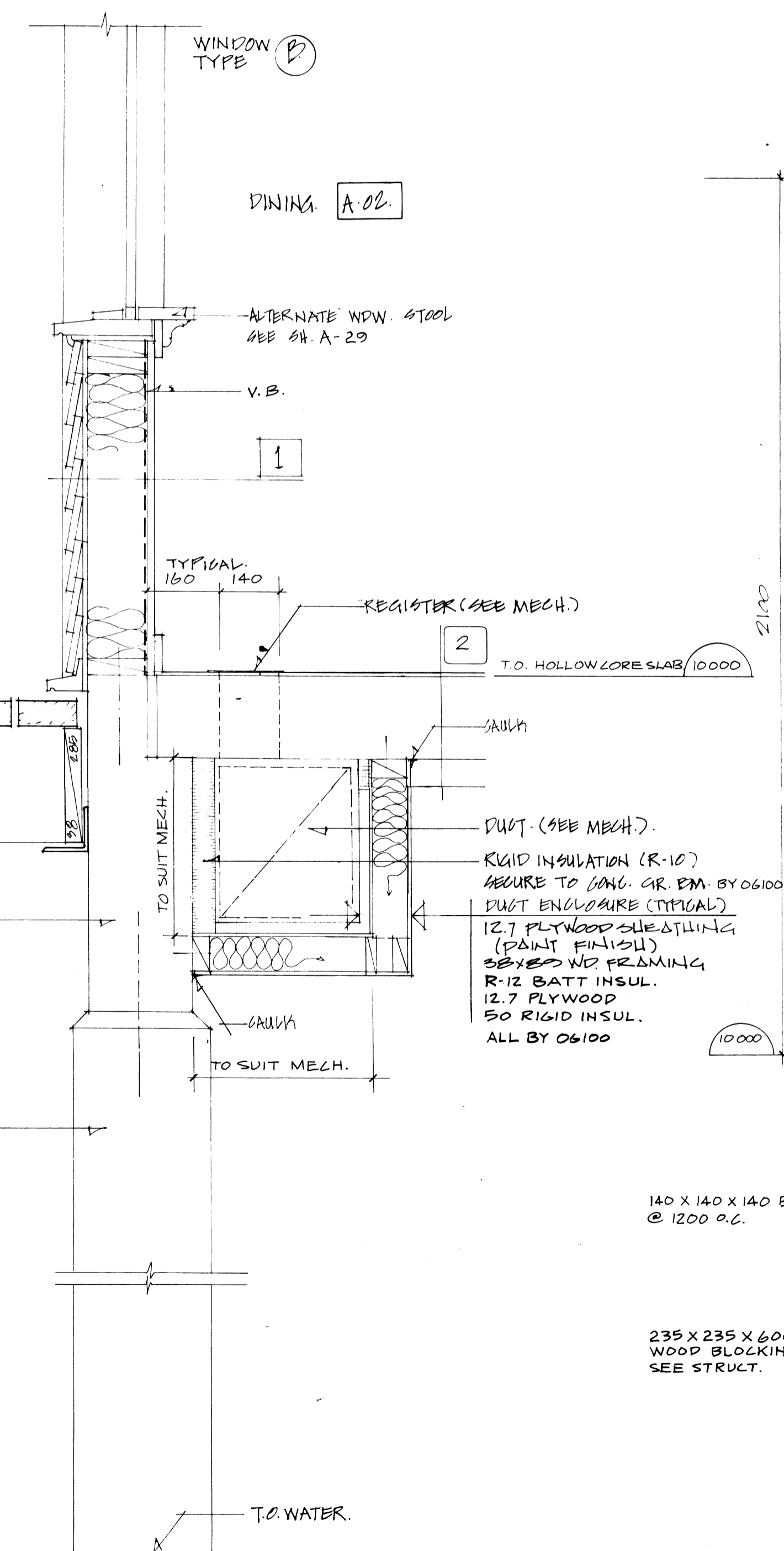
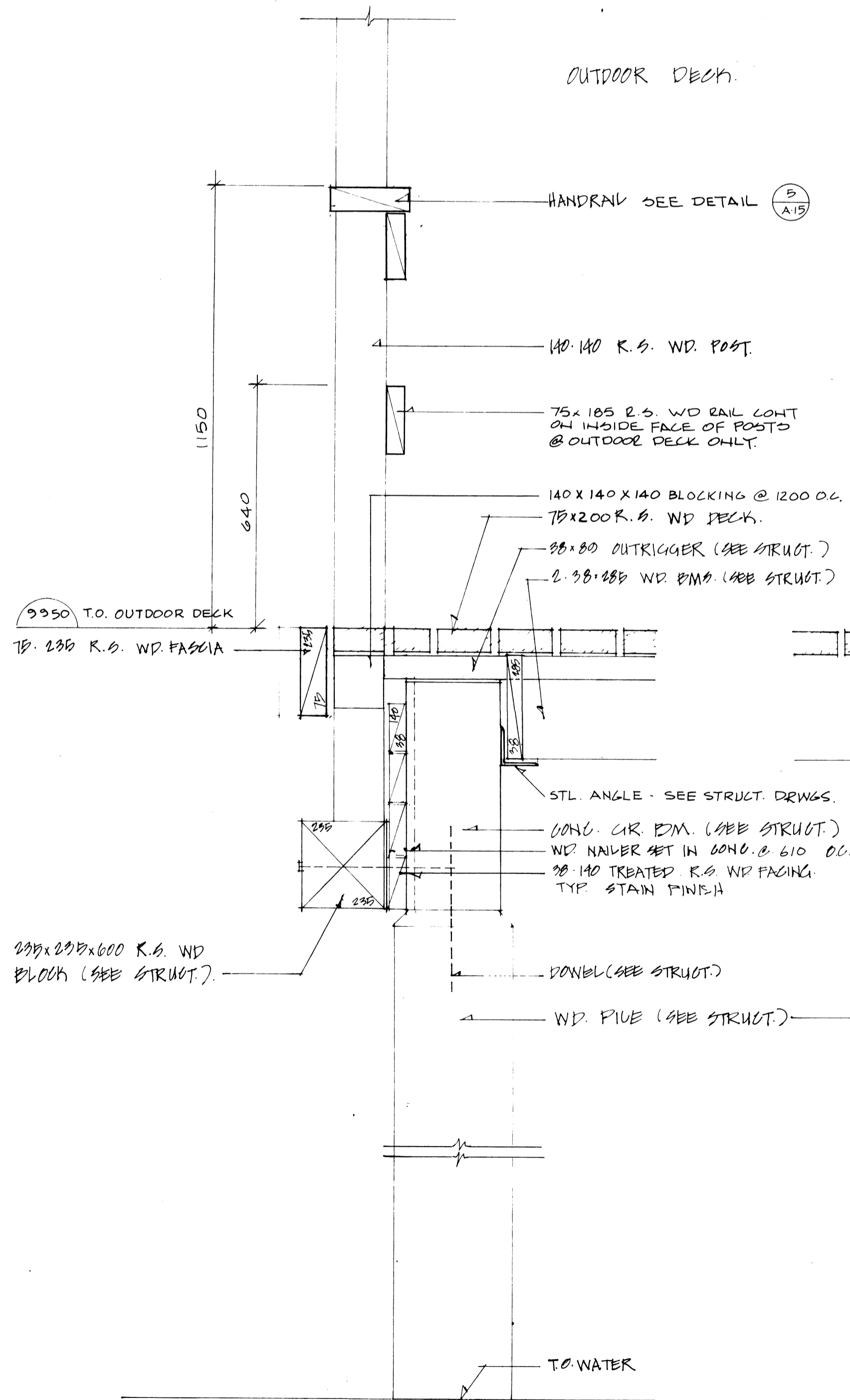
Winnipeg
YAMASHITA
REGISTERED ARCHITECTS

H. D. KEENBERG
Designer
Approved by:
General Manager
Parks and Recreation
City of Winnipeg
Director of Civic Properties
City of Winnipeg

PROJECT
NORTHEAST PARK RECREATION BUILDING
FOR
THE CITY OF WINNIPEG
SHEET TITLE
BUILDING 'B' LOCKER ROOM FLOOR PLAN & WASHROOM ELEVATIONS

DRAWN BY: DATE: SHEET NO:
NOV 80

CHECKED: FILE: **A14**
80 107

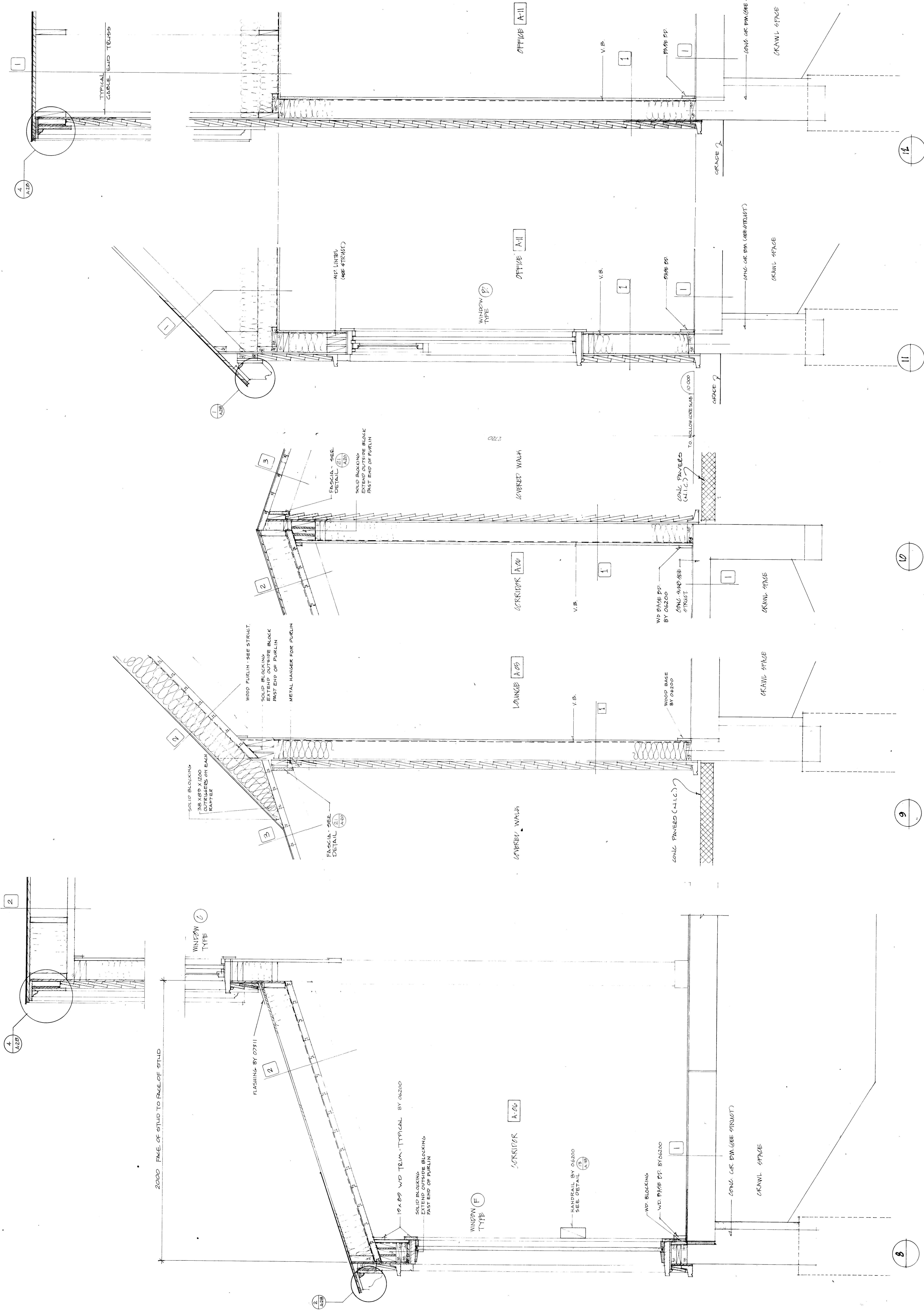


IKOY
WINNIPEG REGINA THUNDER BAY

R.D. KEENBERG
Designer
Approved by
General Manager
X.S. YAMASHITA
City of Winnipeg
Director of Civic Properties
City of Winnipeg

PROJECT
NORTHEAST PARK RECREATION BUILDING
FOR
THE CITY OF WINNIPEG
SHEET TITLE
WALL SECTIONS
③ ⑥ ⑦

DRAWN BY DATE NOV 80 SHEET NO
CHECKED FILE 80 107 **A16**

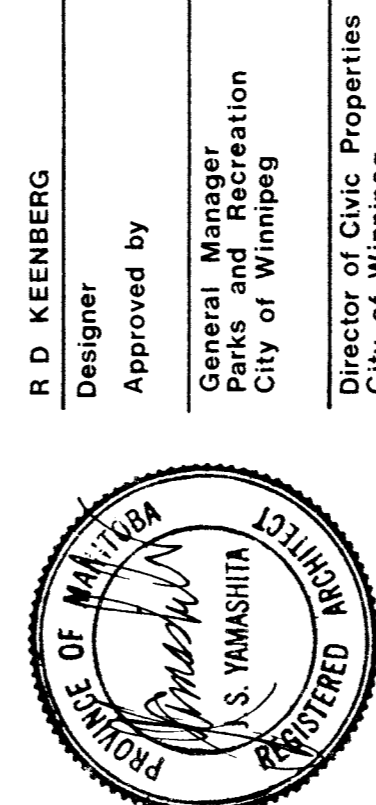


I KOY
 WINNIPEG REGINA THUNDER BAY

R. D. KLEBERG
 Designer
 Prepared by
 City of Winnipeg
 City of Winnipeg
 City of Winnipeg

NORTHEAST PARK RECREATION BUILDING
 FOR THE CITY OF WINNIPEG
 SHEET TITLE
WALL SECTIONS

DATE NOV 80
 FILE 80107
 SHEET NO. **A17**



DESIGNER: R. D. KEENBERGH

APPROVED BY: [Signature]

GENERAL MANAGER: [Signature]

CHIEF ENGINEER: [Signature]

CITY OF WINNIPEG

DIRECTOR OF CIVIC PROPERTIES

PROJECT: PARK NORTH RECREATION BUILDING

FOR: THE CITY OF WINNIPEG

SHEET TITLE: WALL SECTIONS

13 14 15

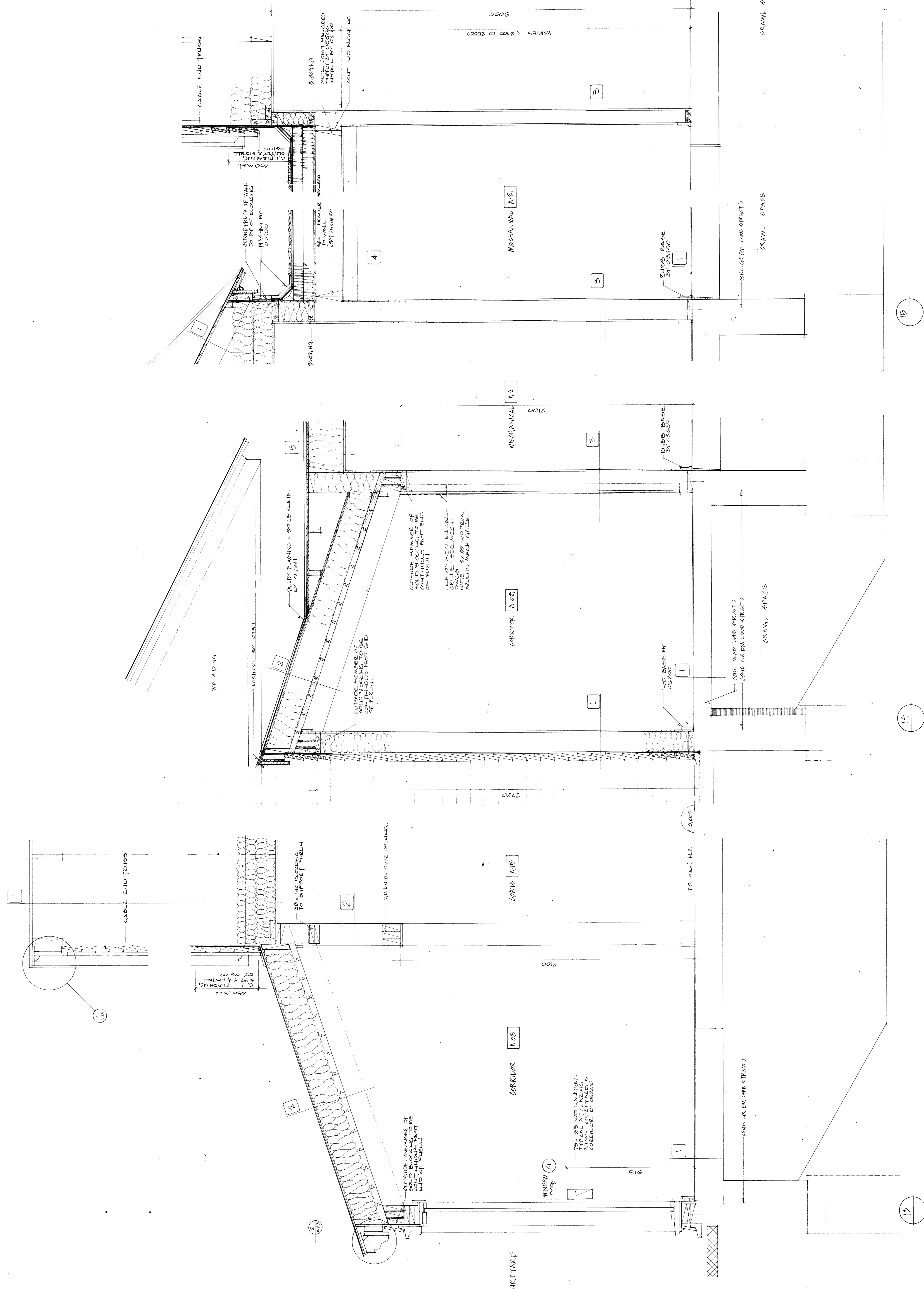
DRAWN BY: [Signature]

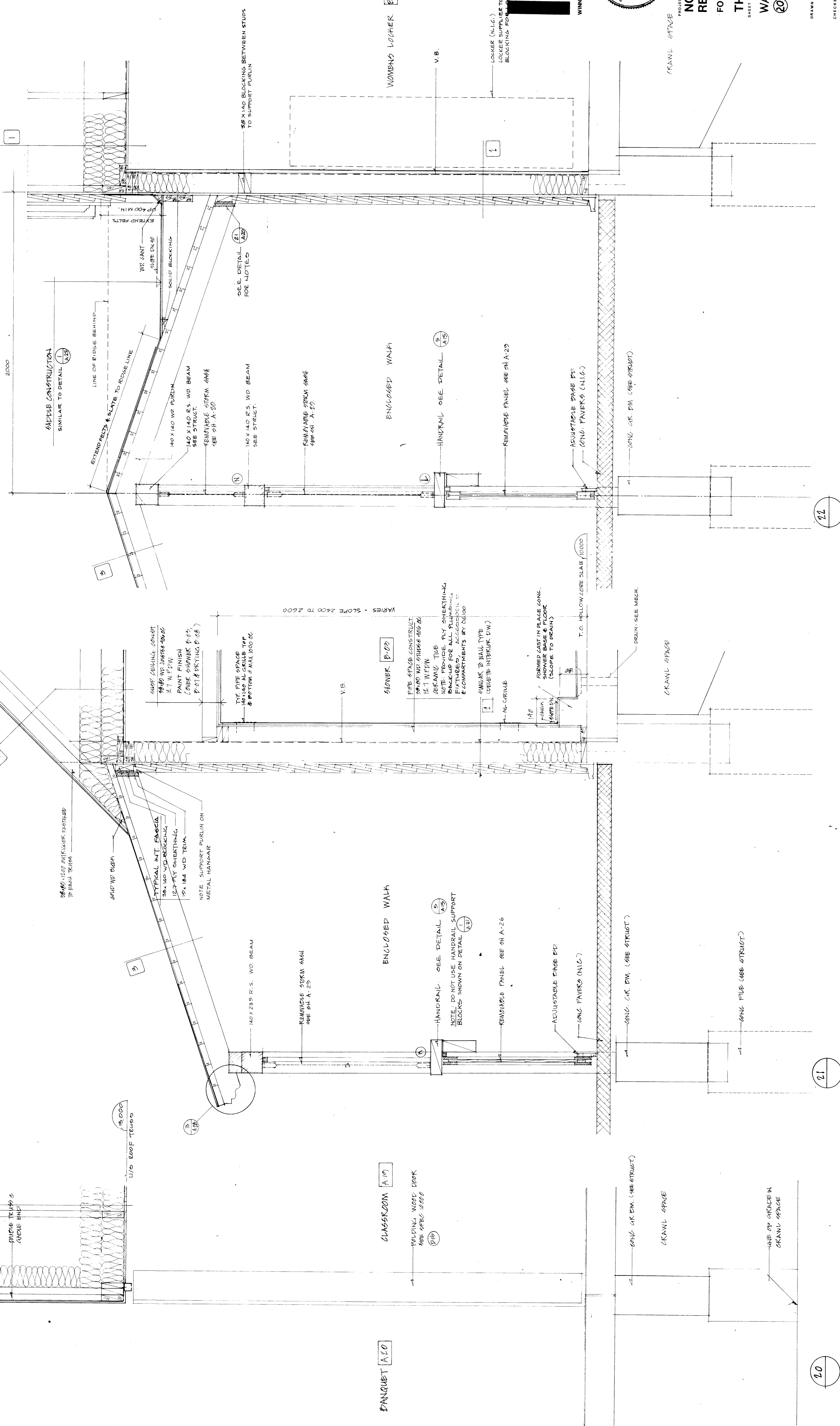
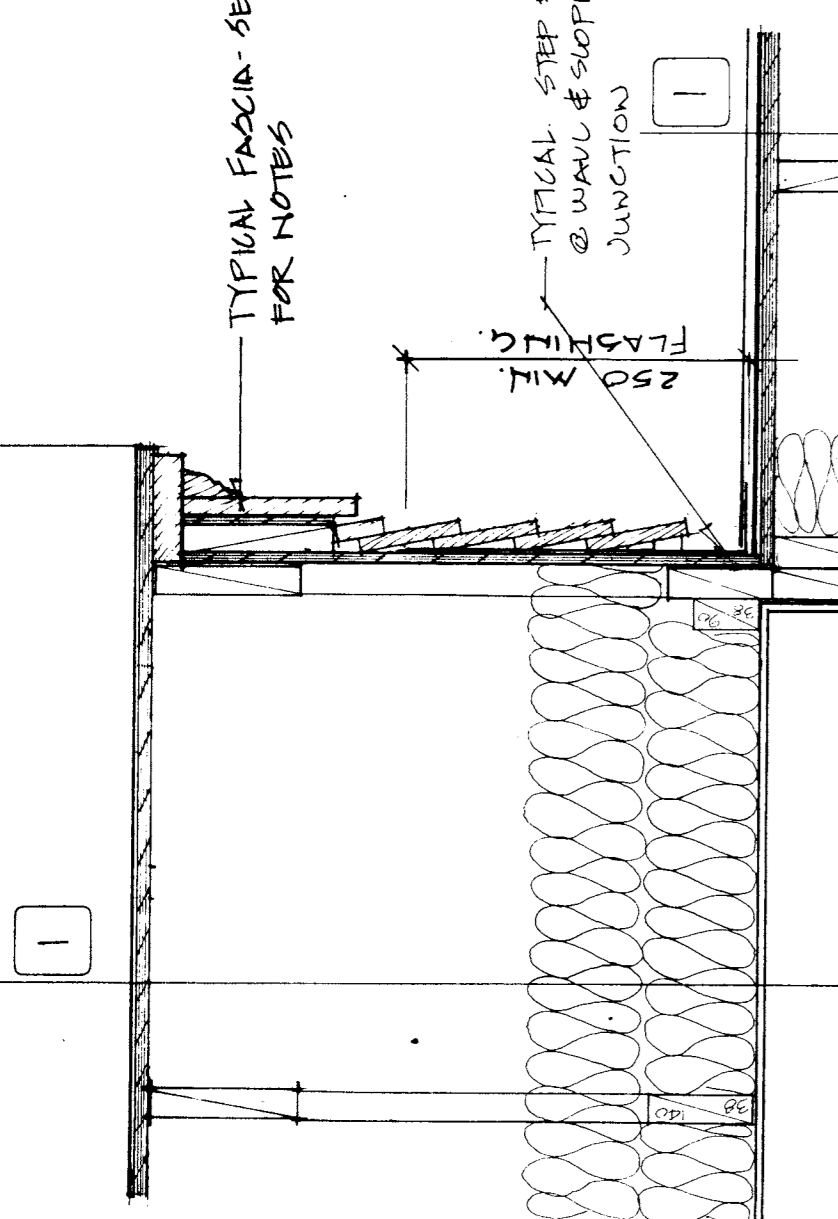
CHECKED: [Signature]

DATE: NOV 80

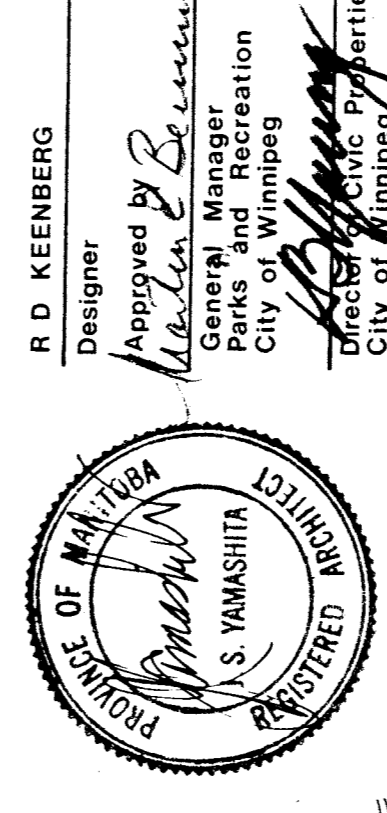
FILE: 80.107

SHEET NO: A18





IKOY



R.D. KEENBERG
P. ENG.
NO. 10115
CITY OF WINNIPEG

DATE
NOV 80

CHECKED
FILE
80 07

SHEET NO
A20

BANQUET (A10)

CLASSROOM (A19)

ENCLOSED WALK (A19)

ENCLOSED WALK (A20)

ENCLOSED WALK (A21)

ENCLOSED WALK (A22)

ENCLOSED WALK (A23)

ENCLOSED WALK (A24)

ENCLOSED WALK (A25)

ENCLOSED WALK (A26)

ENCLOSED WALK (A27)

ENCLOSED WALK (A28)

ENCLOSED WALK (A29)

ENCLOSED WALK (A30)

ENCLOSED WALK (A31)

ENCLOSED WALK (A32)

ENCLOSED WALK (A33)

ENCLOSED WALK (A34)

ENCLOSED WALK (A35)

ENCLOSED WALK (A36)

ENCLOSED WALK (A37)

ENCLOSED WALK (A38)

ENCLOSED WALK (A39)

ENCLOSED WALK (A40)

ENCLOSED WALK (A41)

ENCLOSED WALK (A42)

ENCLOSED WALK (A43)

ENCLOSED WALK (A44)

ENCLOSED WALK (A45)

ENCLOSED WALK (A46)

ENCLOSED WALK (A47)

ENCLOSED WALK (A48)

ENCLOSED WALK (A49)

ENCLOSED WALK (A50)

ENCLOSED WALK (A51)

ENCLOSED WALK (A52)

ENCLOSED WALK (A53)

ENCLOSED WALK (A54)

ENCLOSED WALK (A55)

ENCLOSED WALK (A56)

ENCLOSED WALK (A57)

ENCLOSED WALK (A58)

ENCLOSED WALK (A59)

ENCLOSED WALK (A60)

ENCLOSED WALK (A61)

ENCLOSED WALK (A62)

ENCLOSED WALK (A63)

ENCLOSED WALK (A64)

ENCLOSED WALK (A65)

ENCLOSED WALK (A66)

ENCLOSED WALK (A67)

ENCLOSED WALK (A68)

ENCLOSED WALK (A69)

ENCLOSED WALK (A70)

ENCLOSED WALK (A71)

ENCLOSED WALK (A72)

ENCLOSED WALK (A73)

ENCLOSED WALK (A74)

ENCLOSED WALK (A75)

ENCLOSED WALK (A76)

ENCLOSED WALK (A77)

ENCLOSED WALK (A78)

ENCLOSED WALK (A79)

ENCLOSED WALK (A80)

ENCLOSED WALK (A81)

ENCLOSED WALK (A82)

ENCLOSED WALK (A83)

ENCLOSED WALK (A84)

ENCLOSED WALK (A85)

ENCLOSED WALK (A86)

ENCLOSED WALK (A87)

ENCLOSED WALK (A88)

ENCLOSED WALK (A89)

ENCLOSED WALK (A90)

ENCLOSED WALK (A91)

ENCLOSED WALK (A92)

ENCLOSED WALK (A93)

ENCLOSED WALK (A94)

ENCLOSED WALK (A95)

ENCLOSED WALK (A96)

ENCLOSED WALK (A97)

ENCLOSED WALK (A98)

ENCLOSED WALK (A99)

ENCLOSED WALK (A100)

1. TYPICAL INTERIOR WALL

- wood siding
- building paper
- 1/2" x 1/4" sheathing
- 3/8" x 140 wood studs
- 1/2" x 140 wood studs at 406 o.c.
- 6-20 batt insul.
- 1/2" x 1/4" vapour barrier
- interior finish (see room finish schedule)

NOTE: Where ceramic tile use 12.7 M.P.D.W.

2. TYPICAL INTERIOR PARTITION

- wood studs at 406 o.c.
- 6-20 batt insul.
- 1/2" x 1/4" vapour barrier
- interior finish (see room finish schedule)

3. 1 HOUR FIRE SEPARATION

- 15.8 F.R.D.W. @ 406 o.c.
- 40 batt insul.
- 15.8 F.R.D.W.

4. TYPICAL WASHROOM PARTITIONS

- 12.7 M.P.D.W. @ 406 o.c.
- 40 batt insul.
- 12.7 M.P.D.W.

NOTE: M.P.D.W. to be used behind ceramic tile finishes only - see room finish schedule

1. FLOOR CONSTRUCTION TYPE 1

- Fibre glass (see finish schedule)
- P.C. hollow core slabs (see struct.)
- Note: location of C.I.P. concrete slabs in lieu of hollow core slabs

2. FLOOR CONSTRUCTION TYPE 2

- 200 x 1220 P.C. hollow core slabs (see struct.)
- 1 layer 38 mil. V.P. sheathing
- 12.7 M.P.D.W.

ROOF CONSTRUCTION TYPE 1

- Asphalt shingles
- 12.7 plyd. sheathing
- Wood trusses (see struct. for details)
- 8-40 batt insul.
- 12.7 D.W. V.P.

ROOF CONSTRUCTION TYPE 2

- Asphalt shingles
- 12.7 plyd. sheathing
- Mt. rafters @ 406 o.c. (see struct. for size)
- 8-40 batt insul. (fill void completely)
- V.B. - orange label fibre green
- Mt. purlins @ 1220 o.c. (see struct. for size)

ROOF CONSTRUCTION TYPE 3

- Asphalt shingles
- 38 mt. deck (see struct. for size)
- Mt. purlin (see struct. for size)

ROOF CONSTRUCTION TYPE 4

- 4 ply built-up roofing
- 12.7 fibreboard sheathing
- V.B. - orange label fibre green
- 12.7 plyd. sheathing
- Mt. purlins @ 406 o.c. (see struct. for size)
- 12.7 D.W.

ROOF CONSTRUCTION TYPE 5

- Asphalt shingles
- 12.7 plyd. sheathing
- Mt. joists @ 406 o.c. (see struct. for size)
- Best insulation - fill void completely
- Mt. purlins @ 1220 o.c. (see struct. for size)
- 12.7 D.W.

LINE OF ROOF BEYOND FLASHING IN WALL (TOP FLASHING)

ATTIC VENTILATOR BY 80/100

W.P. 806 FLOOR JOIST

50 x 140 EXTENSION ON EACH TRUSS

WALL CONSTRUCTION V.B. 38 X 140 WOOD STUDS @ 406 O.C. 12.7 D.W. V.P.

FIBREBOARD DRAFT STOP BETWEEN TRUSSES BY 606/100

MECHANICAL C.O.P.

STORAGE C.O.P.

RUP BASE BY 06/50

CRANL SPACE

CONC. OR P.W. LABE STRUCT.

CRANL SPACE

W.P. BASE BY 06/200

ENTRY P.D.P.

MECHANICAL P.D.A.

RUP BASE BY 06/50

CONC. OR P.W. LABE STRUCT.

CRANL SPACE

CRANL SPACE

W.P. BASE BY 06/200

ENTRY P.D.P.

MECHANICAL P.D.A.

RUP BASE BY 06/50

CONC. OR P.W. LABE STRUCT.

CRANL SPACE

CRANL SPACE

W.P. BASE BY 06/200

ENTRY P.D.P.

MECHANICAL P.D.A.

RUP BASE BY 06/50

CONC. OR P.W. LABE STRUCT.

CRANL SPACE

CRANL SPACE

W.P. BASE BY 06/200

ENTRY P.D.P.

MECHANICAL P.D.A.

RUP BASE BY 06/50

CONC. OR P.W. LABE STRUCT.

CRANL SPACE

CRANL SPACE

W.P. BASE BY 06/200

ENTRY P.D.P.

MECHANICAL P.D.A.

RUP BASE BY 06/50

CONC. OR P.W. LABE STRUCT.

CRANL SPACE

CRANL SPACE

W.P. BASE BY 06/200

ENTRY P.D.P.

MECHANICAL P.D.A.

RUP BASE BY 06/50

CONC. OR P.W. LABE STRUCT.

CRANL SPACE

CRANL SPACE

W.P. BASE BY 06/200

ENTRY P.D.P.

MECHANICAL P.D.A.

RUP BASE BY 06/50

CONC. OR P.W. LABE STRUCT.

CRANL SPACE

CRANL SPACE

W.P. BASE BY 06/200

ENTRY P.D.P.

MECHANICAL P.D.A.

RUP BASE BY 06/50

CONC. OR P.W. LABE STRUCT.

CRANL SPACE

CRANL SPACE

W.P. BASE BY 06/200

ENTRY P.D.P.

MECHANICAL P.D.A.

RUP BASE BY 06/50

CONC. OR P.W. LABE STRUCT.

CRANL SPACE

CRANL SPACE

W.P. BASE BY 06/200

ENTRY P.D.P.

MECHANICAL P.D.A.

RUP BASE BY 06/50

CONC. OR P.W. LABE STRUCT.

CRANL SPACE

CRANL SPACE

W.P. BASE BY 06/200

ENTRY P.D.P.

MECHANICAL P.D.A.

RUP BASE BY 06/50

CONC. OR P.W. LABE STRUCT.

CRANL SPACE

CRANL SPACE

W.P. BASE BY 06/200

ENTRY P.D.P.

MECHANICAL P.D.A.

RUP BASE BY 06/50

CONC. OR P.W. LABE STRUCT.

CRANL SPACE

CRANL SPACE

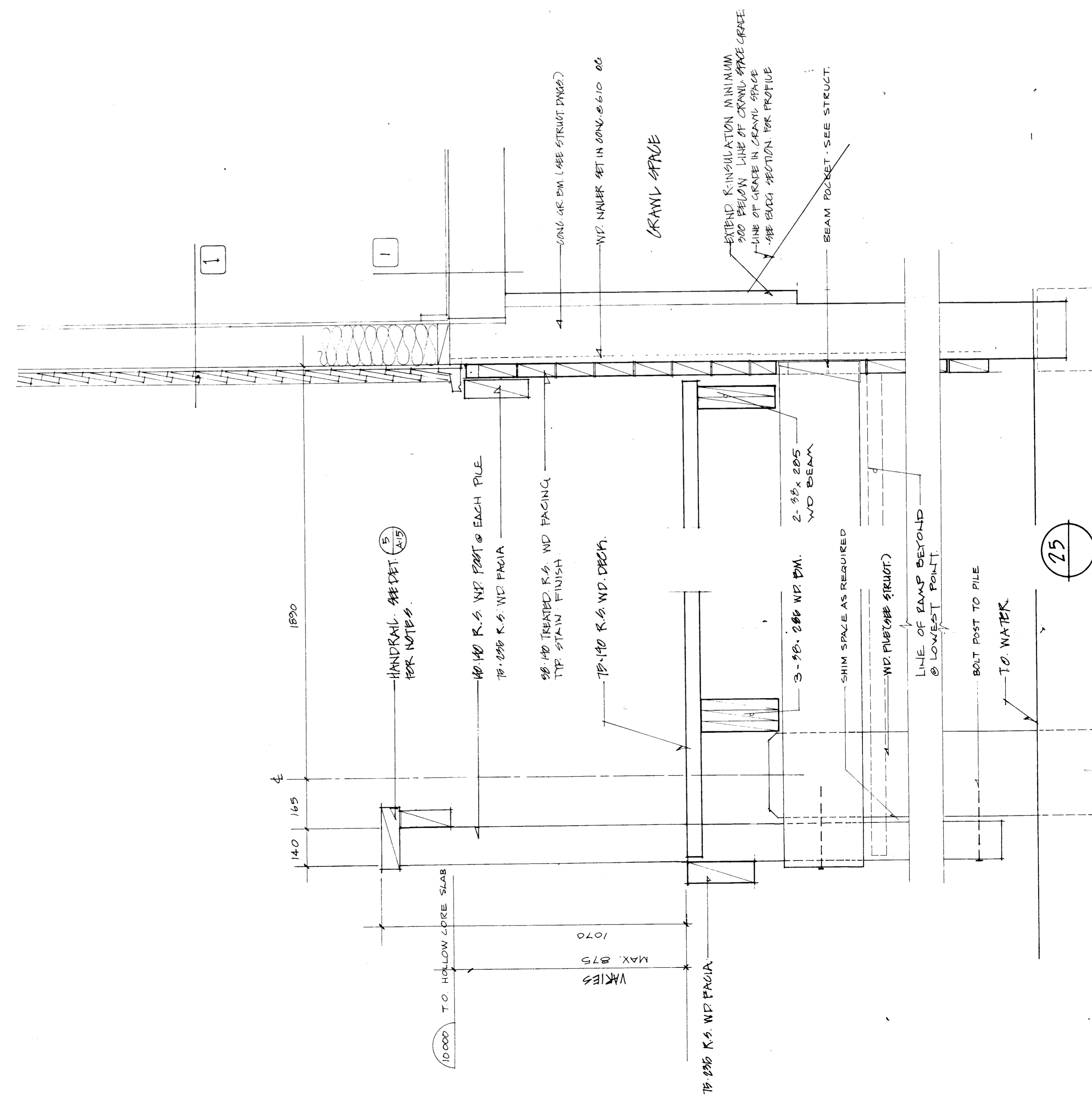
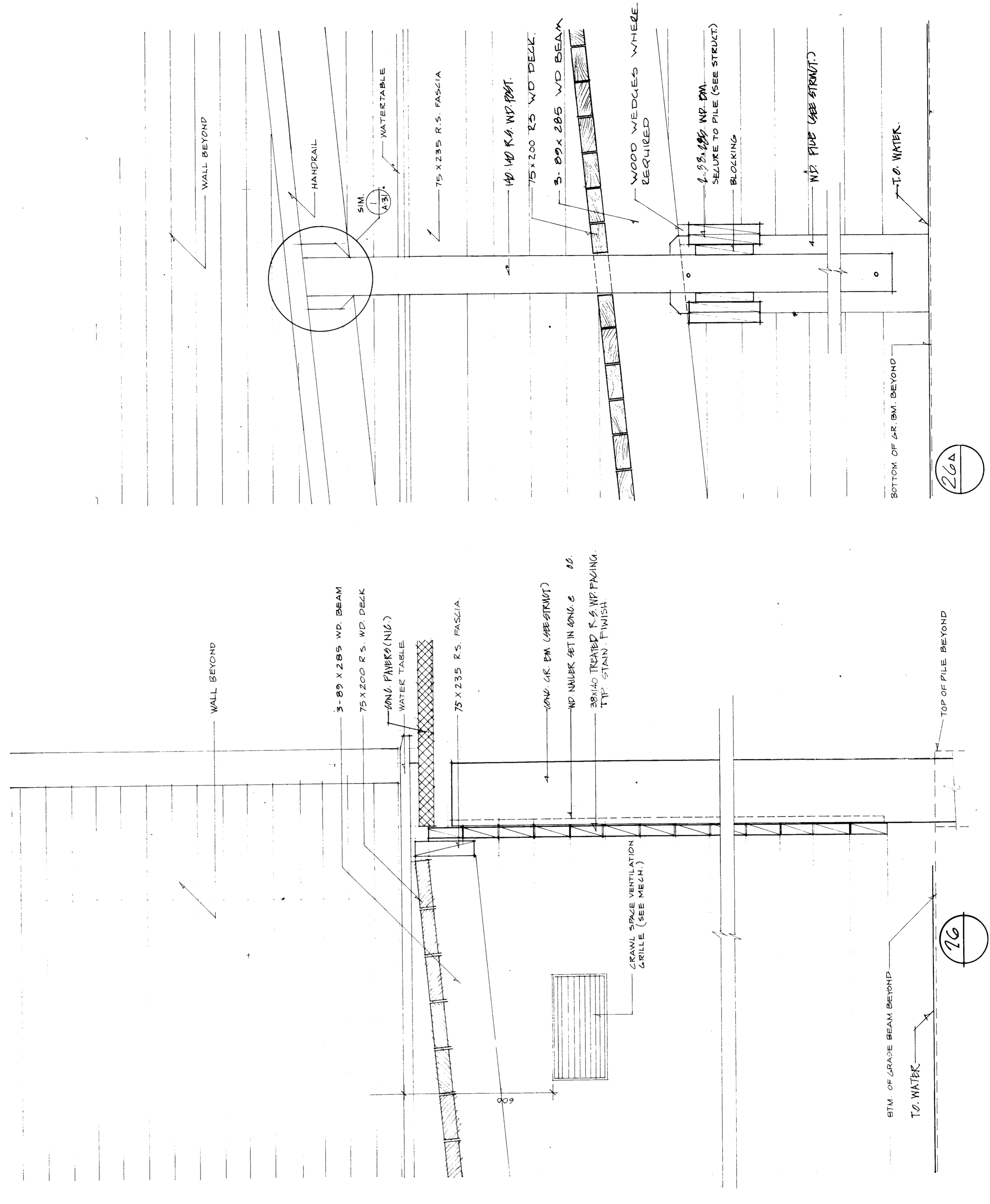
W.P. BASE BY 06/200

ENTRY P.D.P.

MECHANICAL P.D.A.

24

23

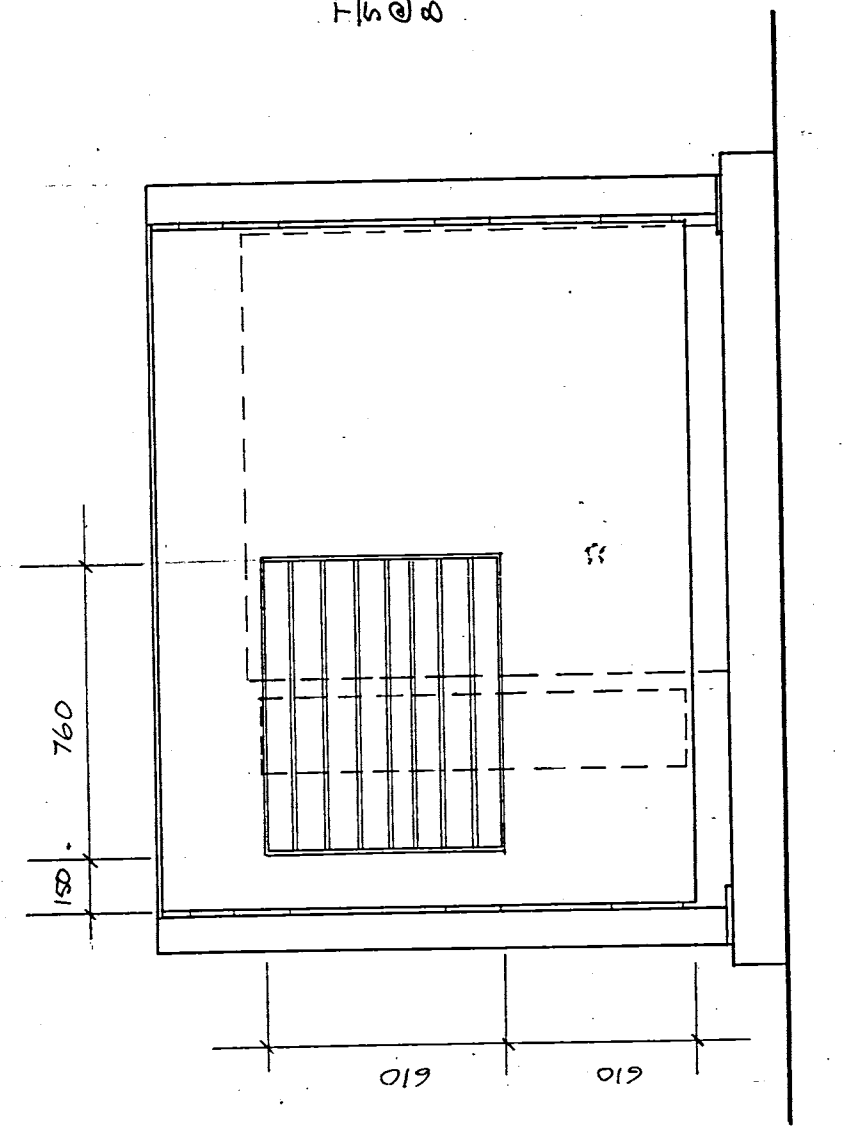


26A

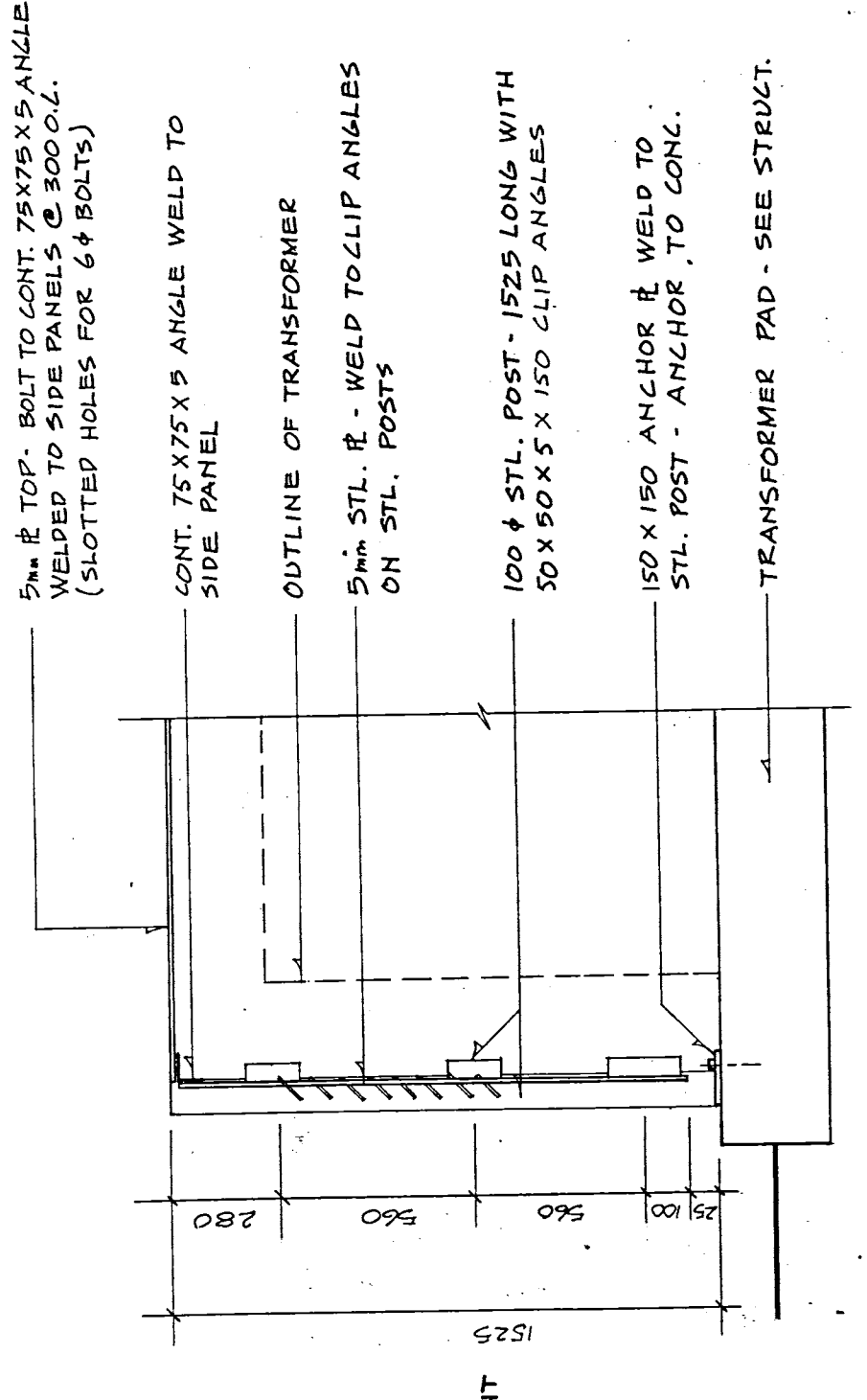
26

25

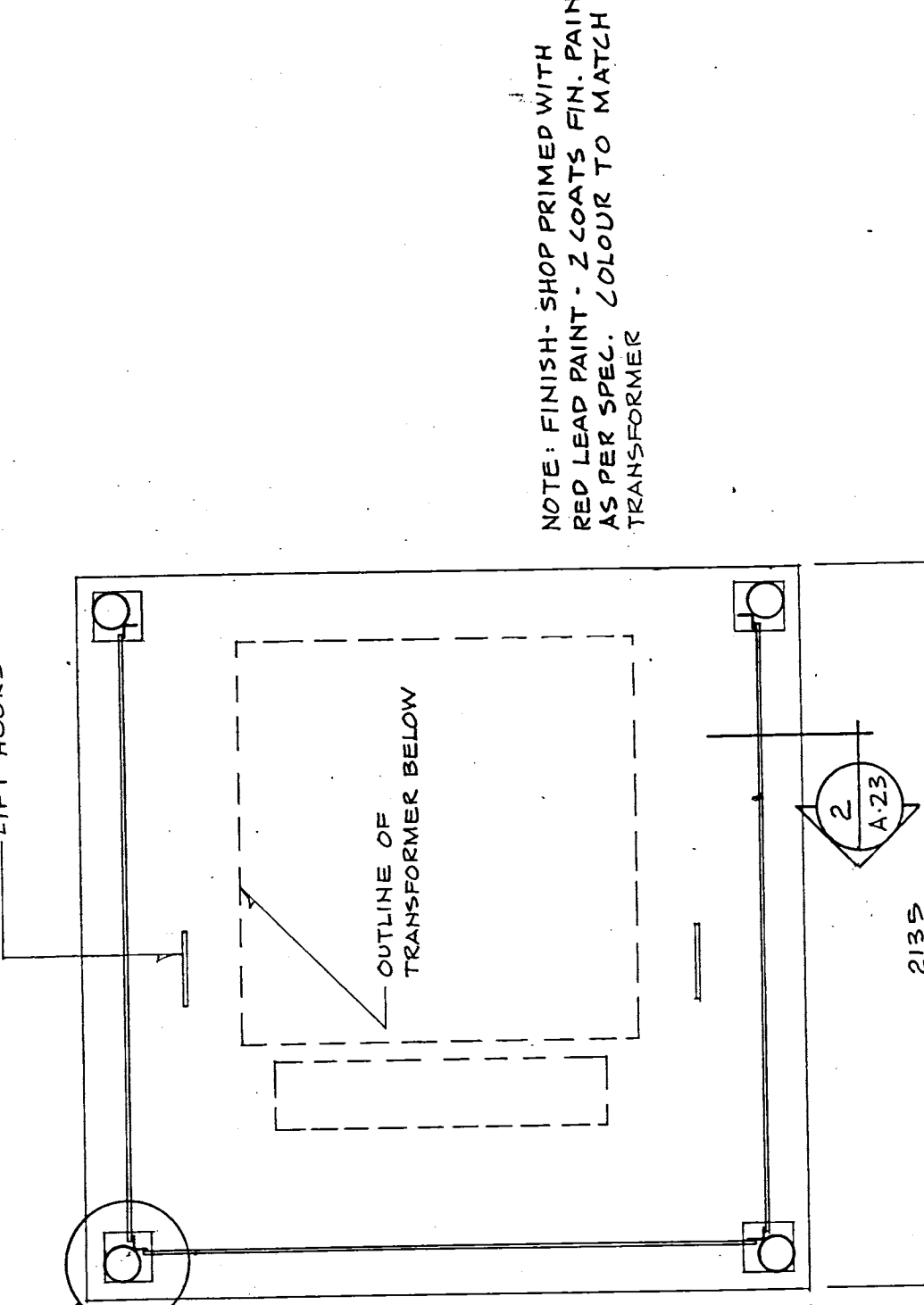
TYPICAL LOUVER, BOTH SIDES
5" X 10" X 3/16" L. LOUVER WELD
5 PIECES EQUALLY SPACED



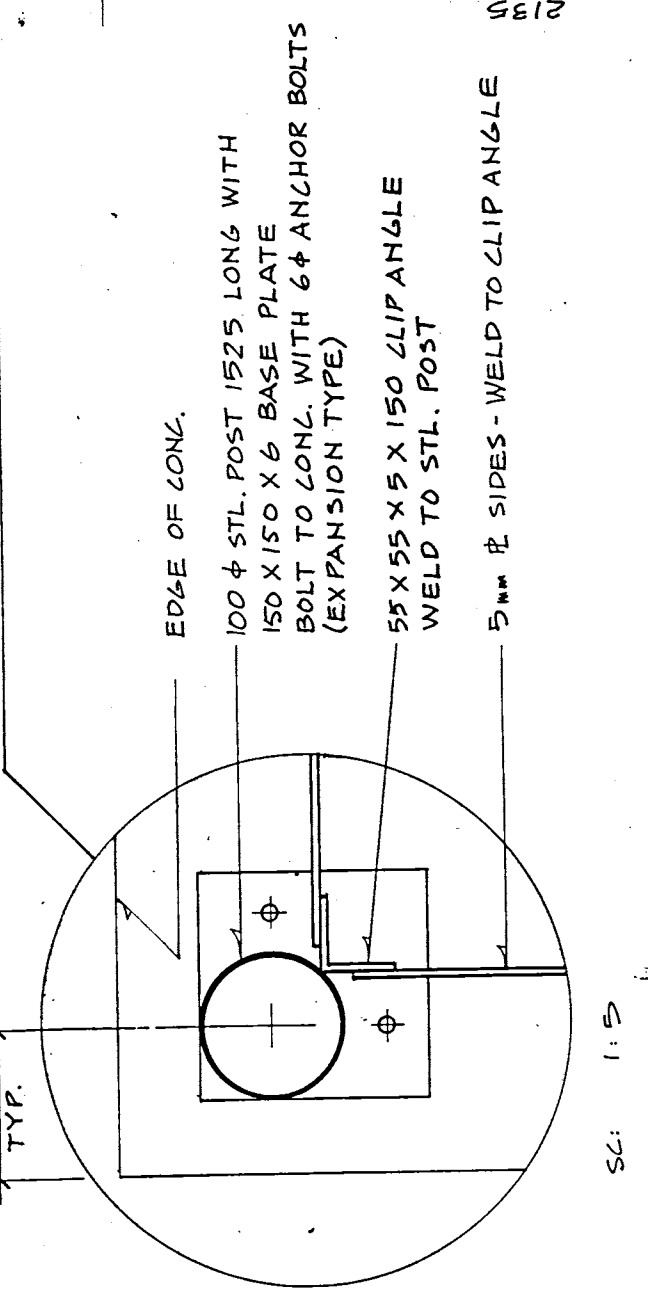
3 ELEVATION
SCALE: 3/4" = 1'-0"



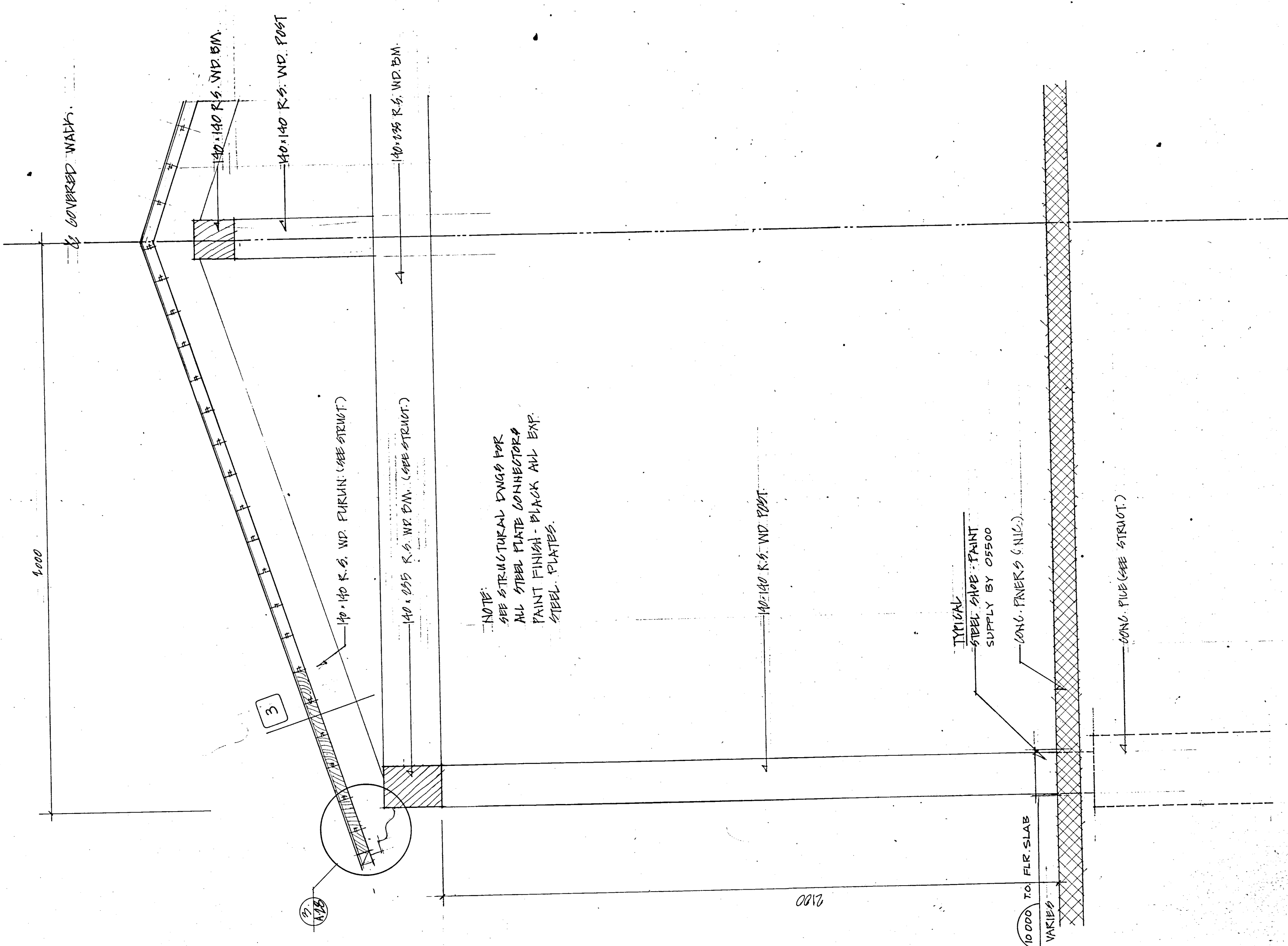
2 SECTION
SCALE: 5/8" = 1'-0"



1 PLAN OF TRANSFORMER ENCLOSURE
SCALE: 1/8" = 1'-0"



SCALE: 1/2" = 1'-0"



NOTE:
STRUCTURAL ENG. FOR
ALL STEEL PLATE CONNECTORS
PAINT FINISH: BLACK ALL EXF.
STEEL PLATES

TYPICAL
STEEL ANGLE
SUPPLY BY CPSCO

CONG. FINISH (NIC.)

27

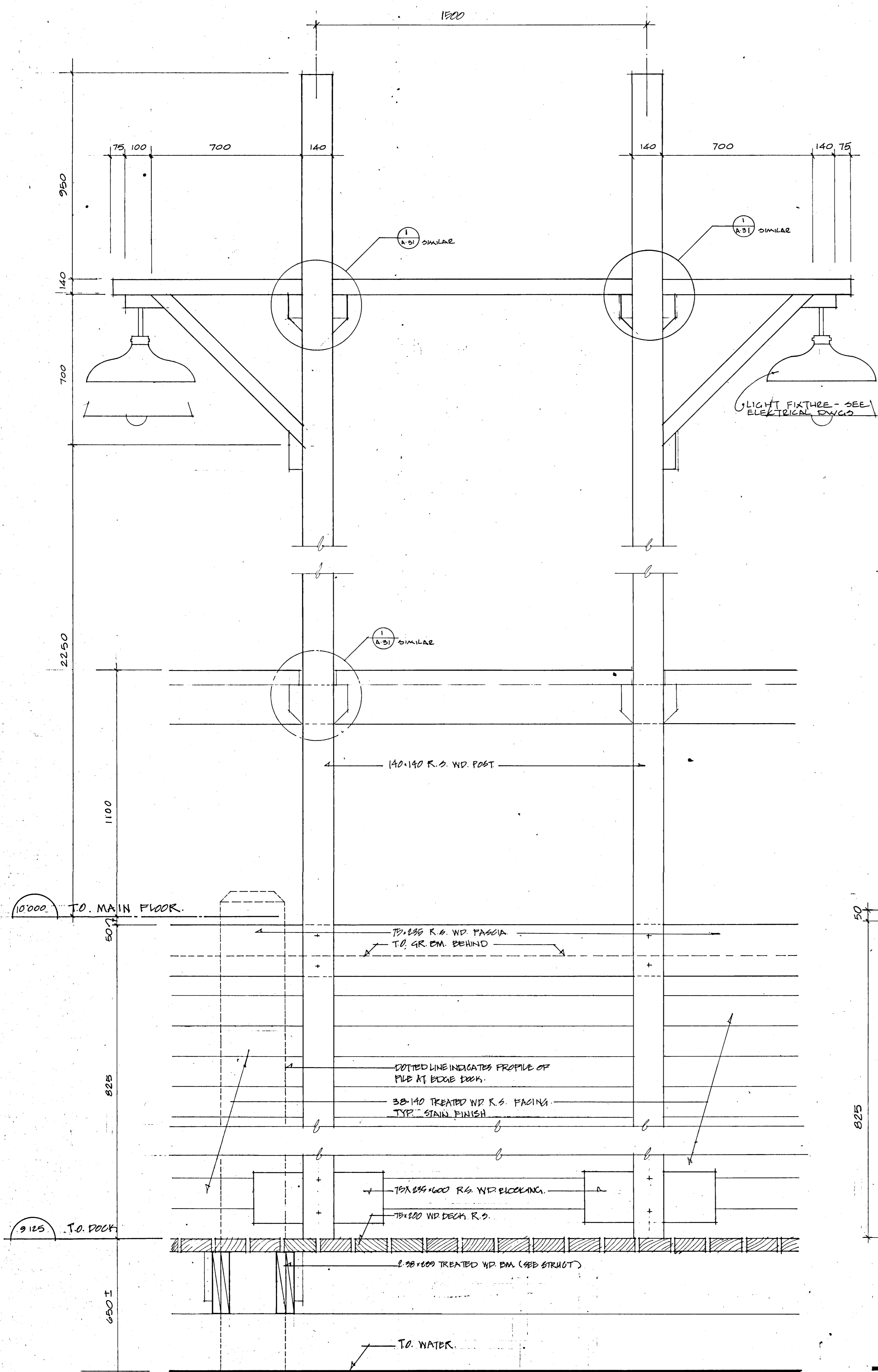
28

IKROY
WINNIPEG REGINA THUNDER BAY

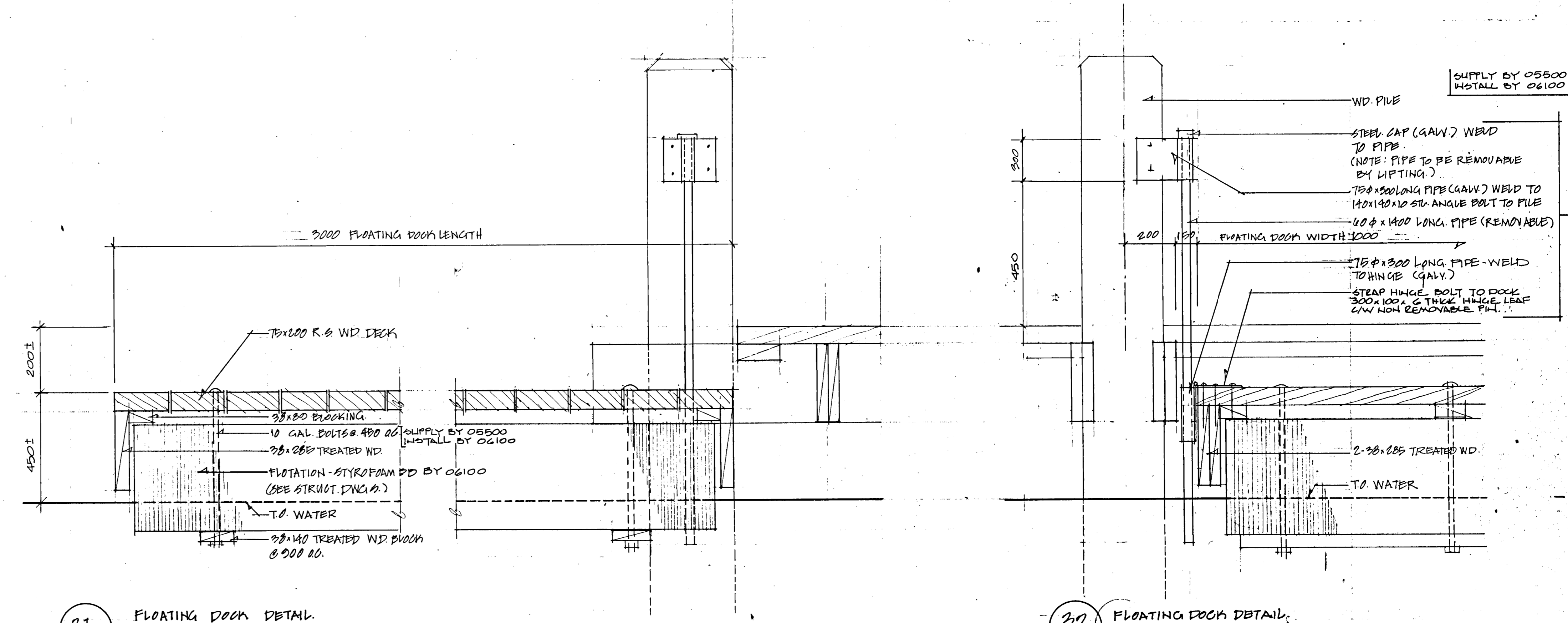
DESIGNER: R. D. KEENE
APPROVED BY: [Signature]
GENERAL SUPERVISOR: [Signature]
CITY OF WINNIPEG
DIRECTOR OF CIVIC OPERATIONS
CITY OF WINNIPEG

PROJECT: NORTHEAST PARK RECREATION BUILDING
FOR: THE CITY OF WINNIPEG
WALL SECTIONS

DATE: NOV 80
SHEET NO: A23
FILE: 80.007

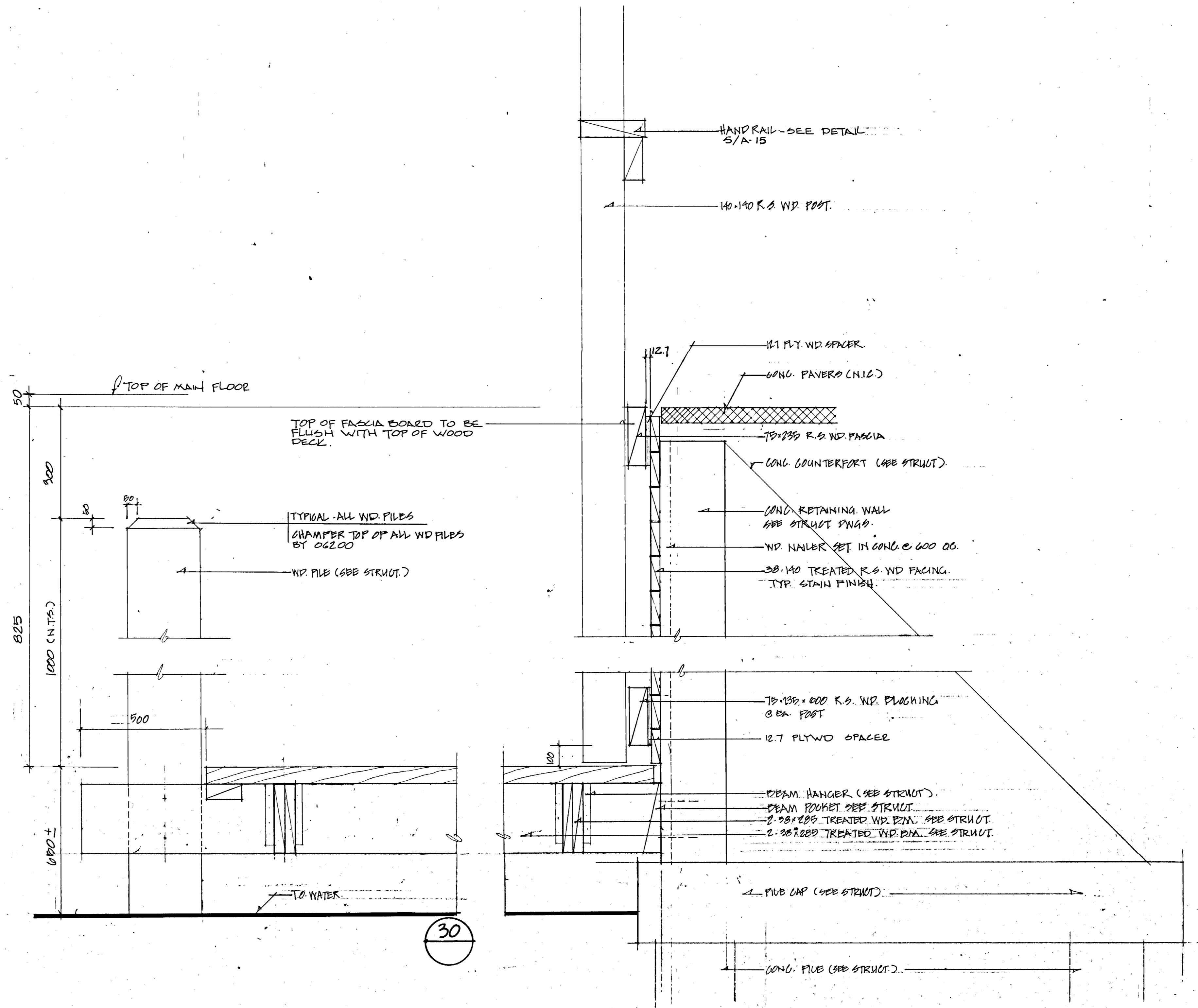


29



31 FLOATING DOCK DETAIL.

32 FLOATING DOCK DETAIL.



30

IKOY
WINNIPEG REGINA THUNDER BAY

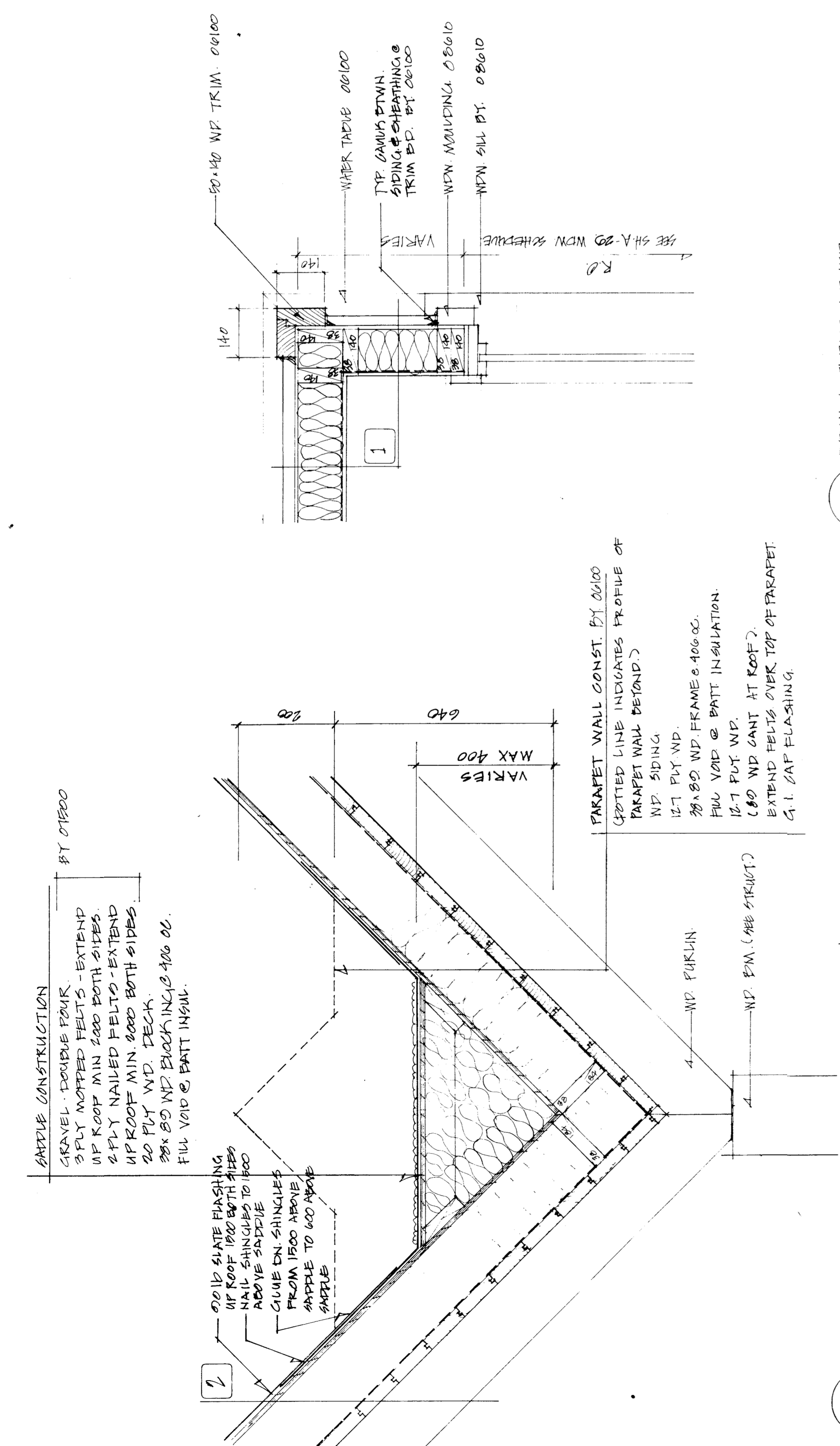
R. D. KEENBERG
Designer
Approved by
General Manager
City of Winnipeg
Director of Civic Properties
City of Winnipeg

PROJECT
NORTHEAST PARK RECREATION BUILDING
FOR
THE CITY OF WINNIPEG

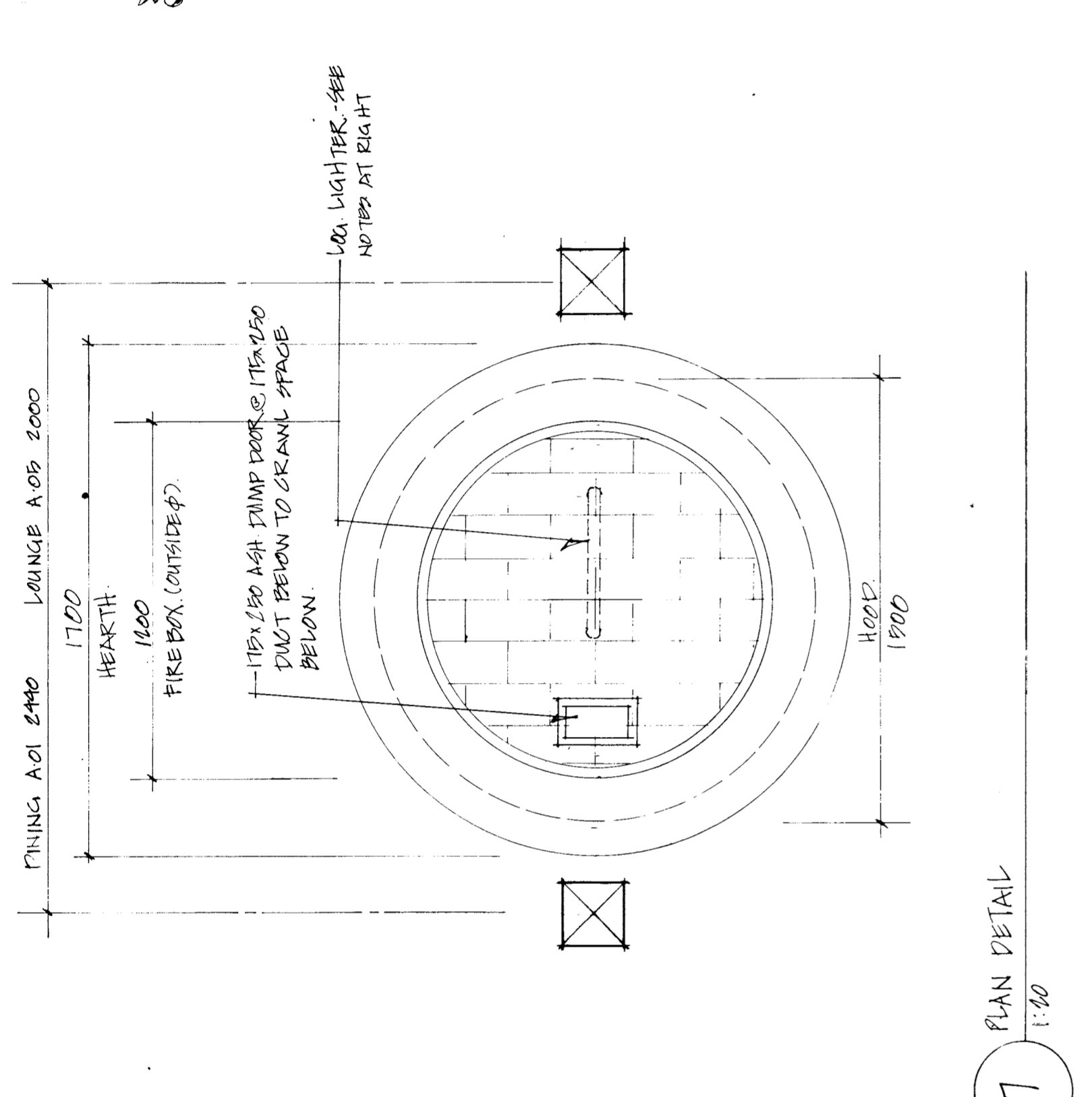
SHEET TITLE
WALL SECTIONS
29 30 31 32

DATE
NOV 80

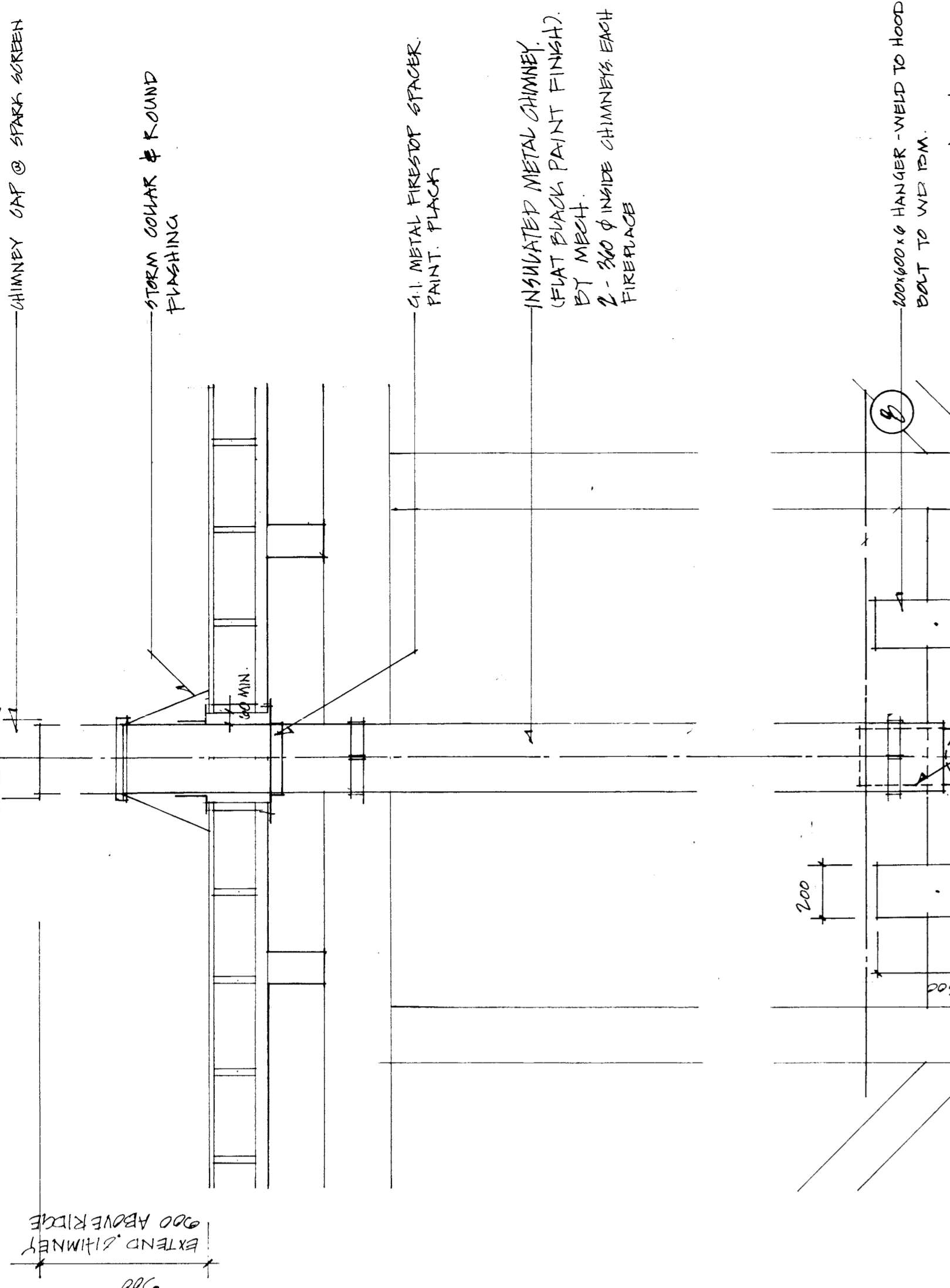
SHEET NO.
A24



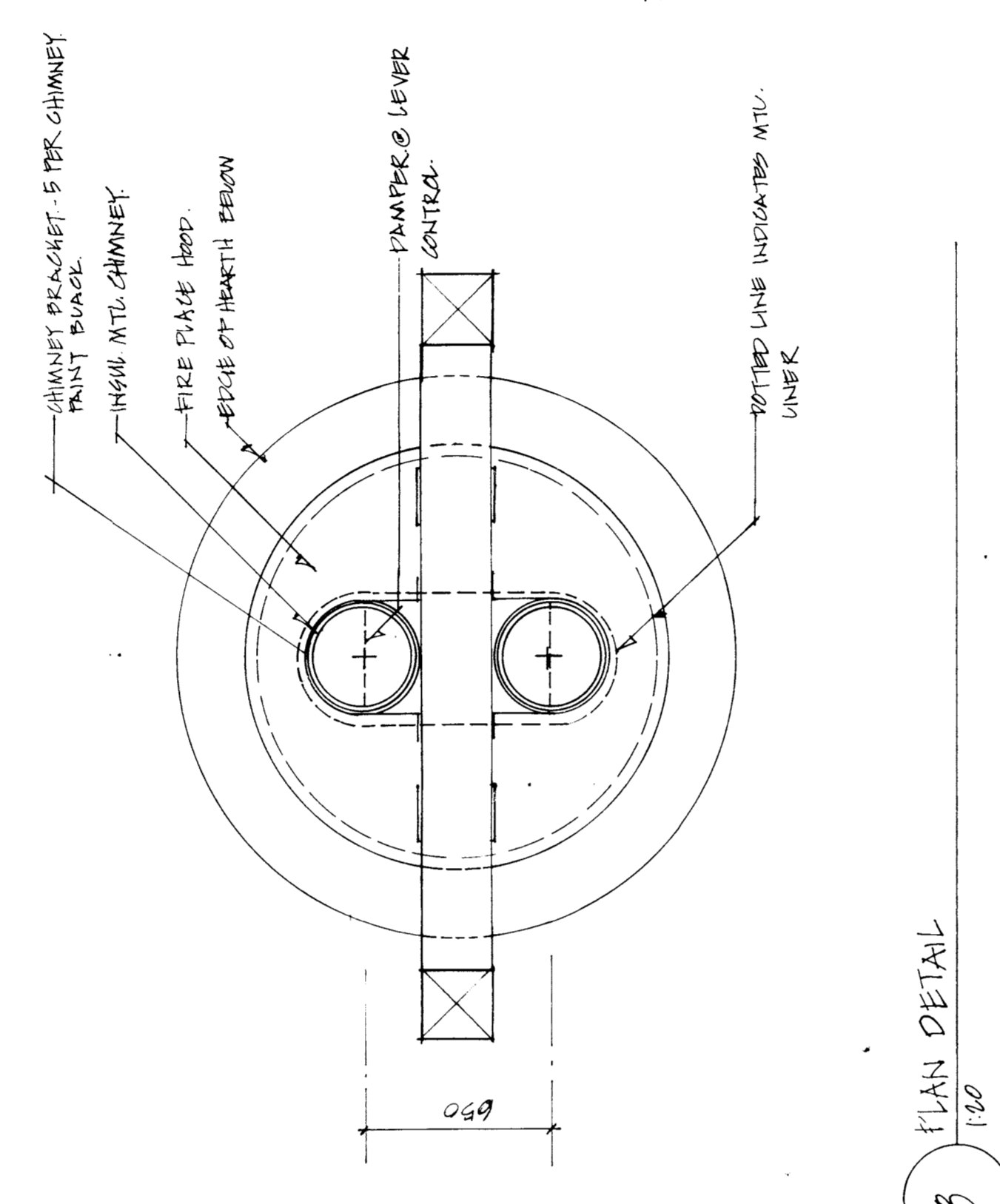
1 ROOF CONST. @ VALLEY BTWN DINING A.01 & DINING A.02



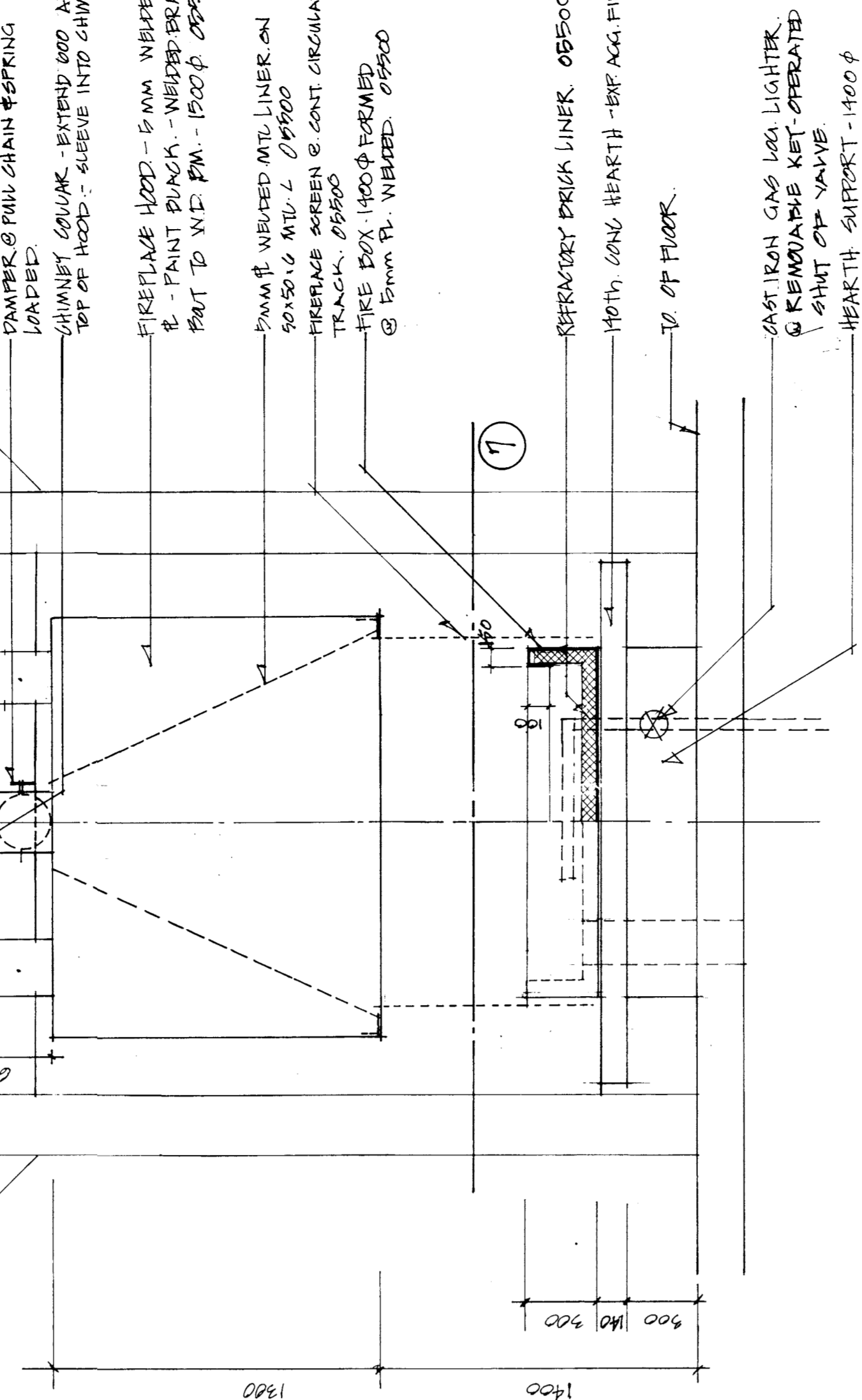
7 PLAN DETAIL 1:20



8 SECTION THRU FIRE PLACE BY 02500 1:20

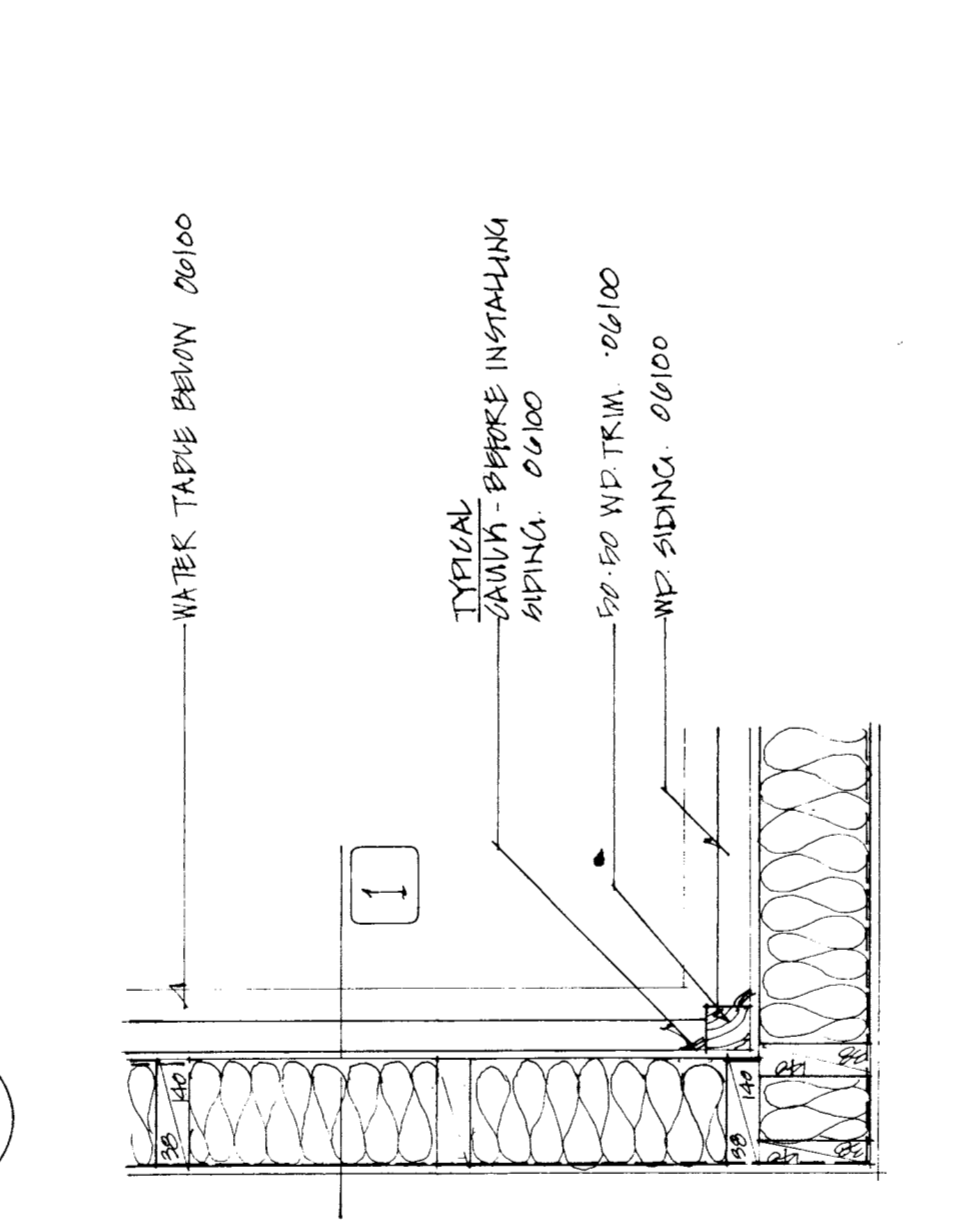


8 PLAN DETAIL 1:20

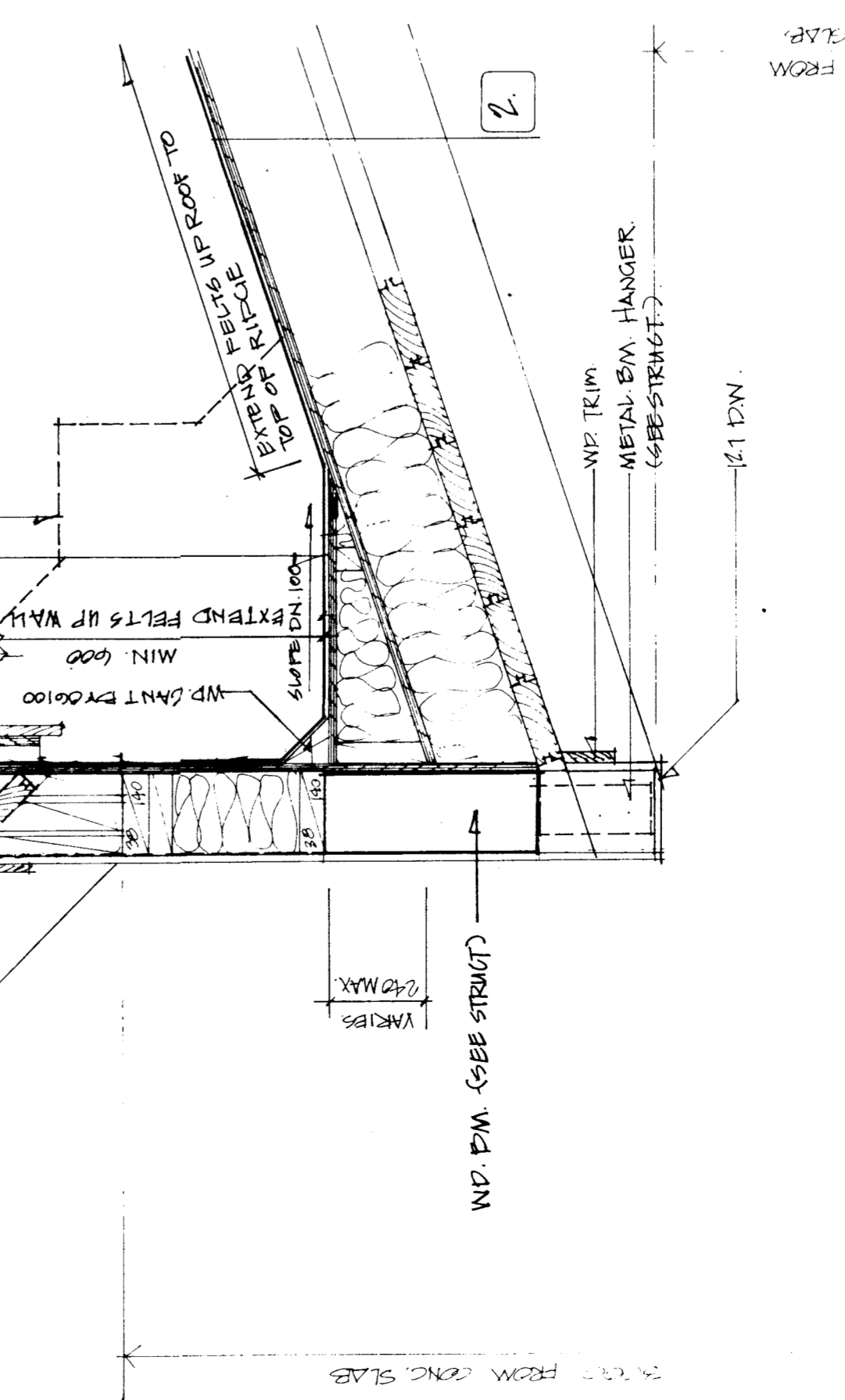
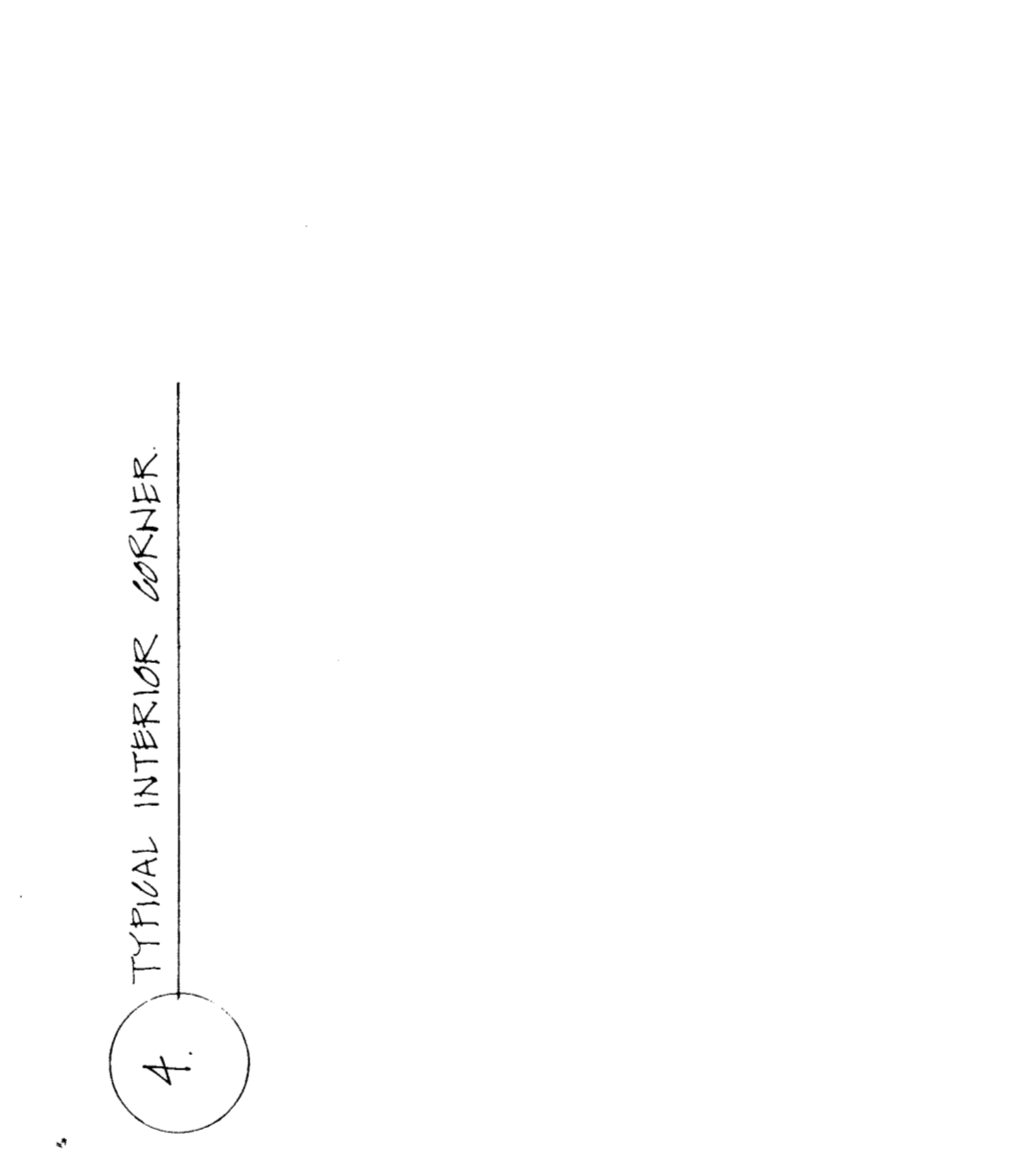


9 SECTION THRU FIRE PLACE BY 02500 1:20

3 TYPICAL EXTERIOR CORNER



4 TYPICAL INTERIOR CORNER



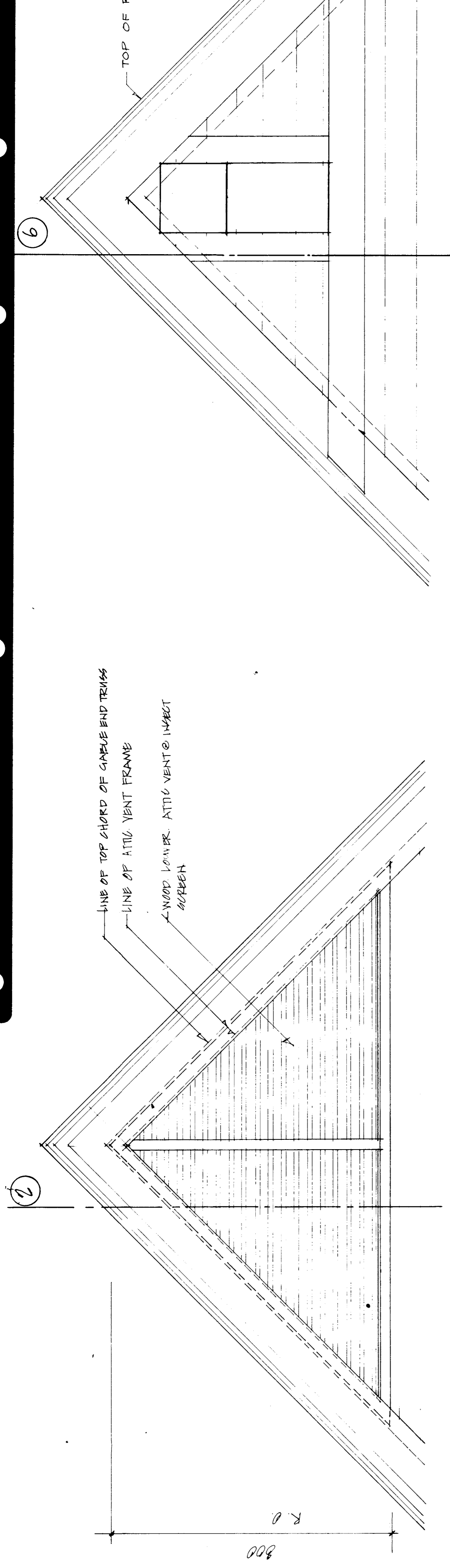
2 ROOF CONST. @ VALLEY BTWN DINING A.02 & LOUNGE A.02

NOTE: FIRE PLACE IN DINING ROOM A-01 SHOWN ABOVE - FIREPLACE FOR LOUNGE A-02 SIMILAR AS NOTED
 PROVIDE APP. PNG. OF FIREPLACE

IKOY
 WINNIPEG REGINA THUNDER BAY

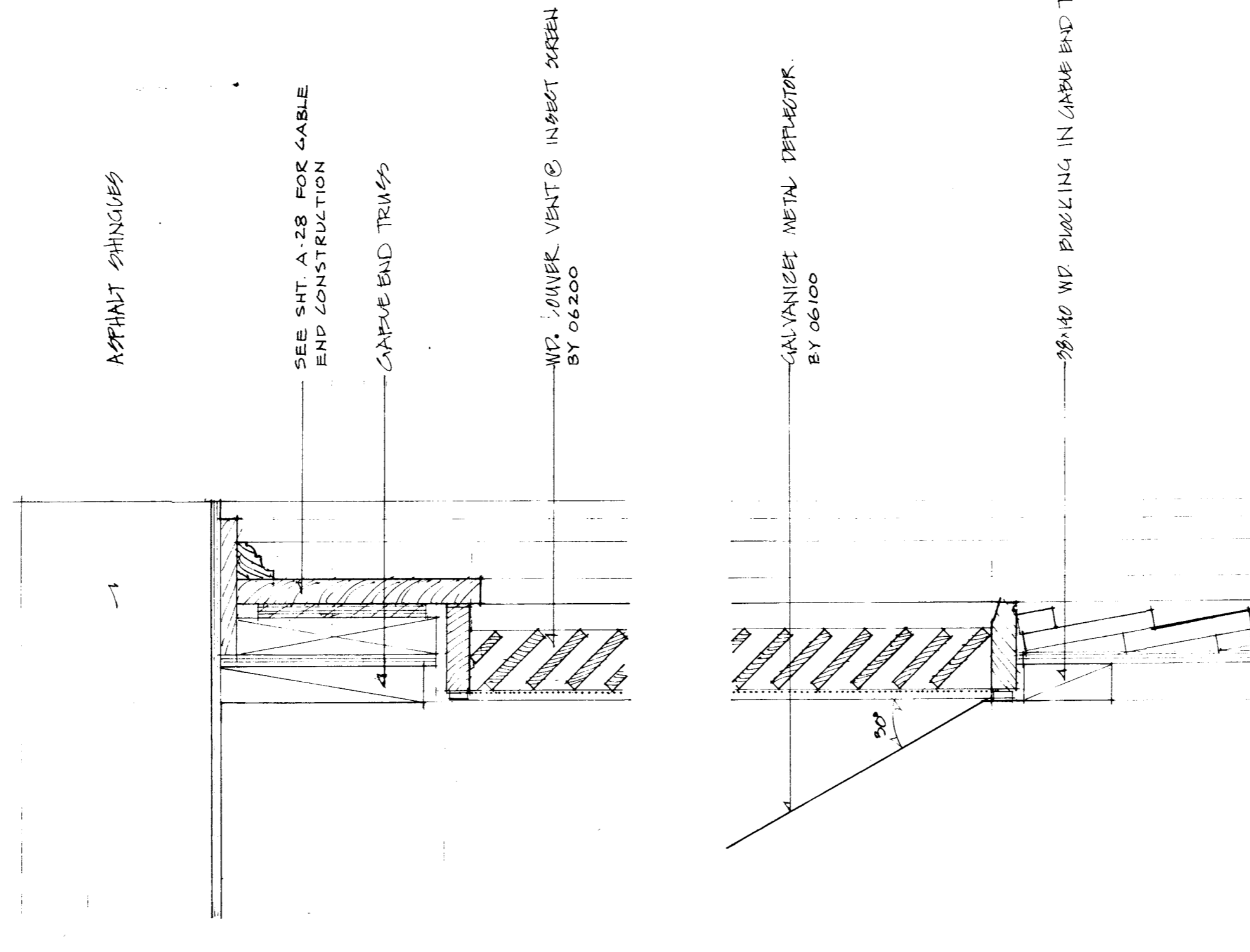
R. D. KEENBERG
 Designer
 Approved by
 General Manager
 City of Winnipeg
 Director of Public Utilities

PROJECT: **NORTHEAST PARK RECREATION BUILDING**
 FOR: **THE CITY OF WINNIPEG**
 SHEET TITLE: **MISCELLANEOUS CONSTRUCTION DETAILS**
 DRAWN BY: DATE: NOV 80
 CHECKED: FILE: 80.107
 SHEET NO: **A25**

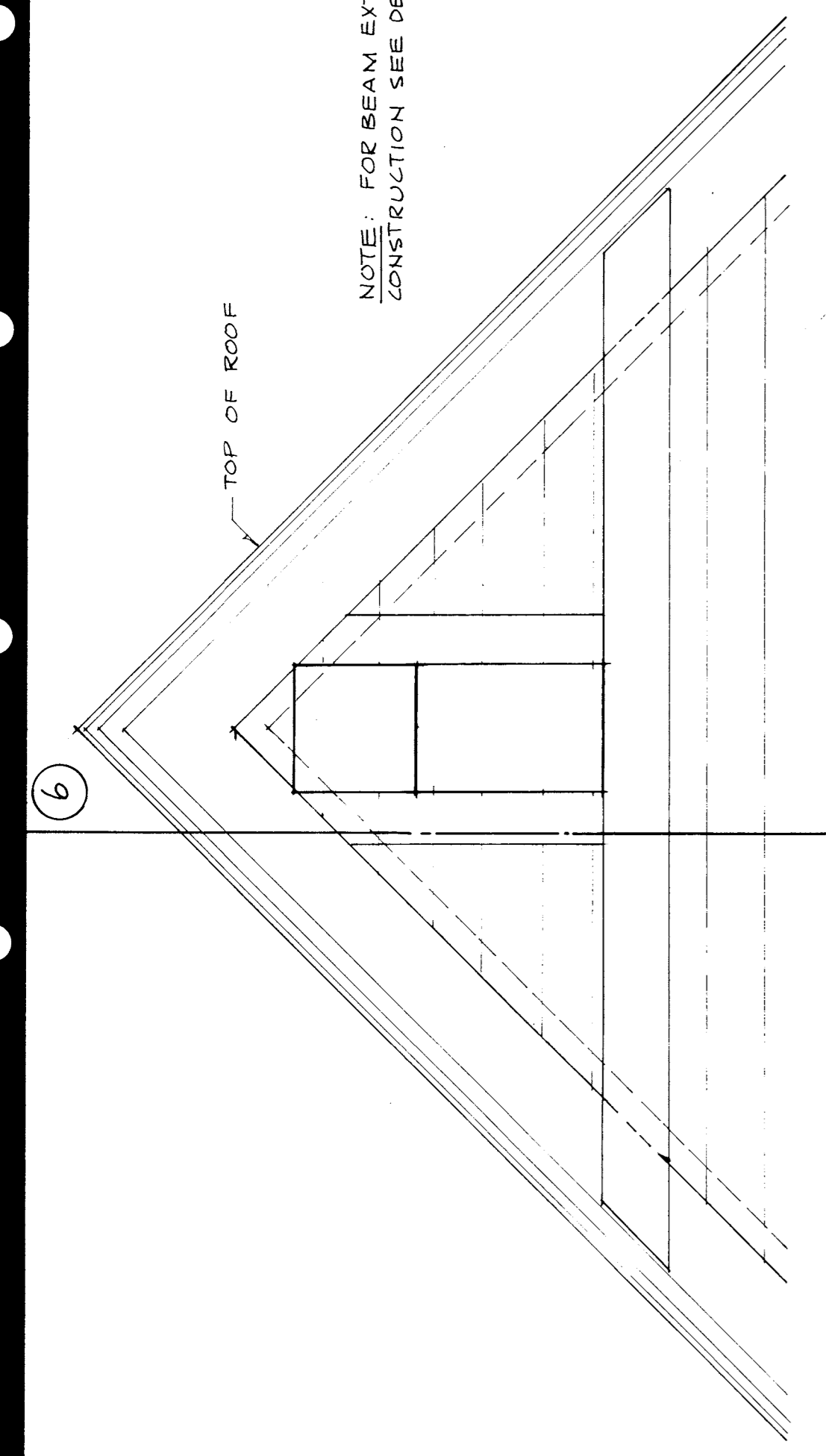


NOTE: SEE ELEVATIONS FOR LOCATION OF GABLE END ATTIC VENTS.

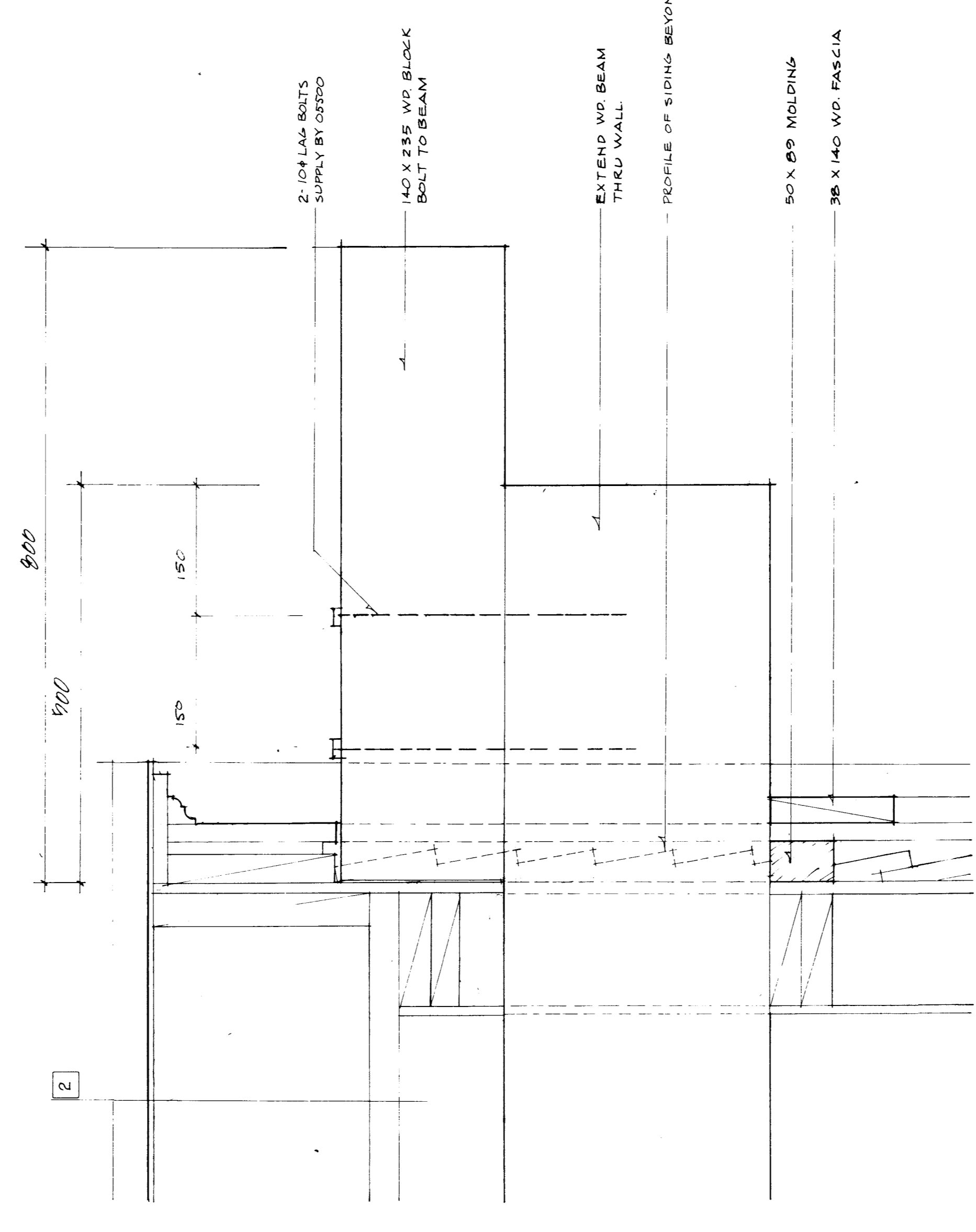
1 ELEVATION TYPICAL ATTIC VENT.



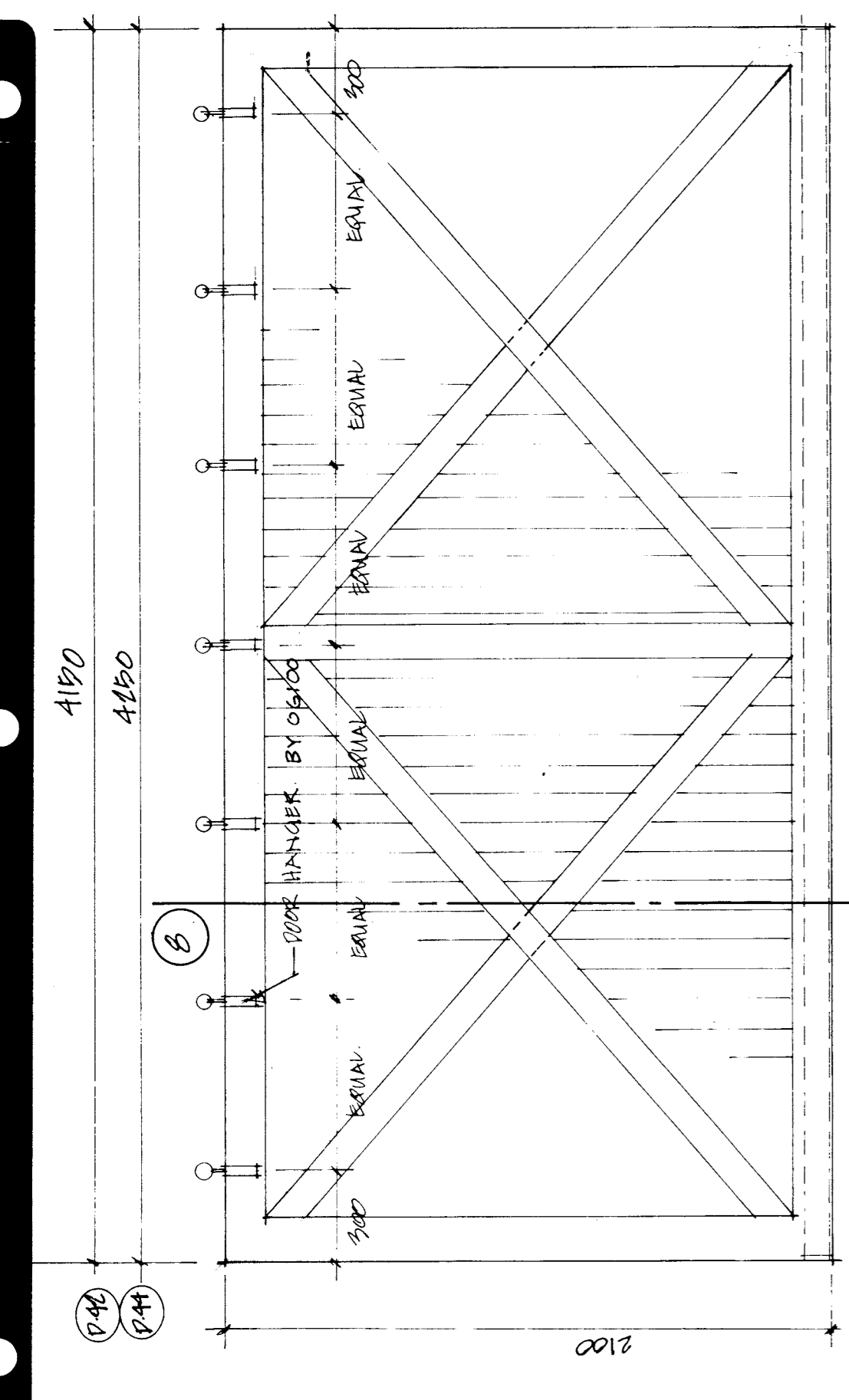
2 SECTION THRU ATTIC VENT SUPPLY 08610 INSTALL 06100



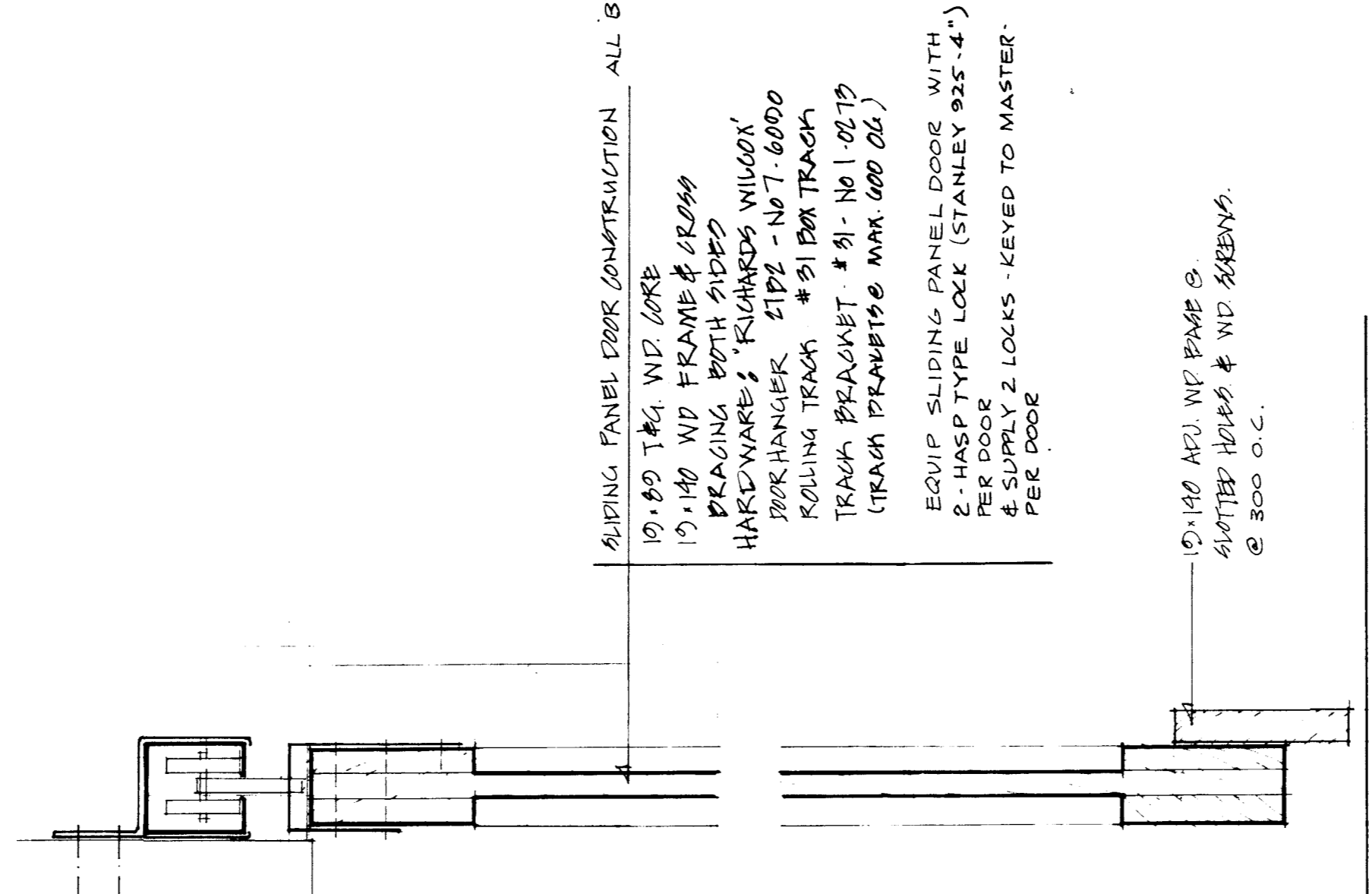
5 ELEVATION OF BEAM EXTENSION



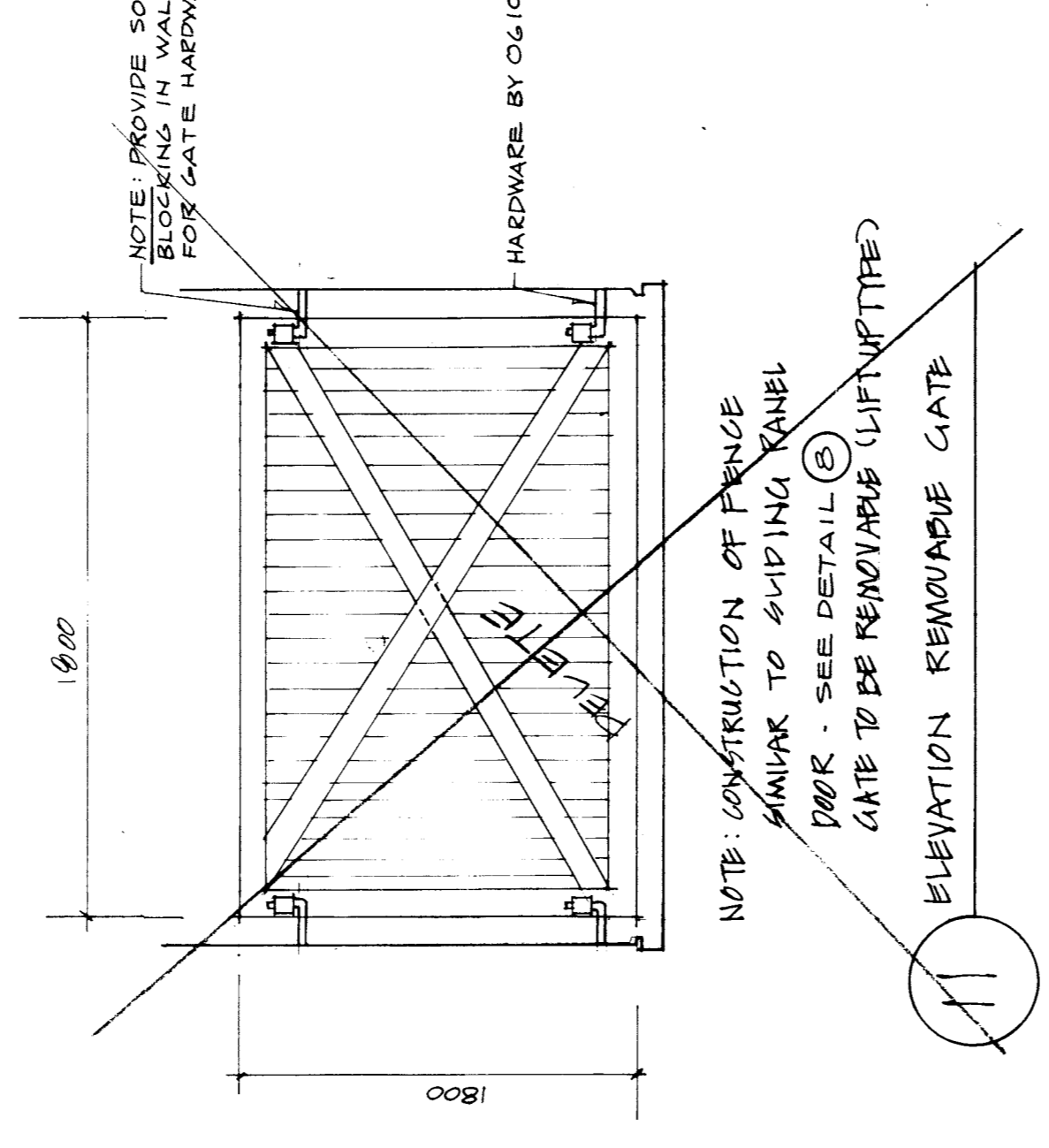
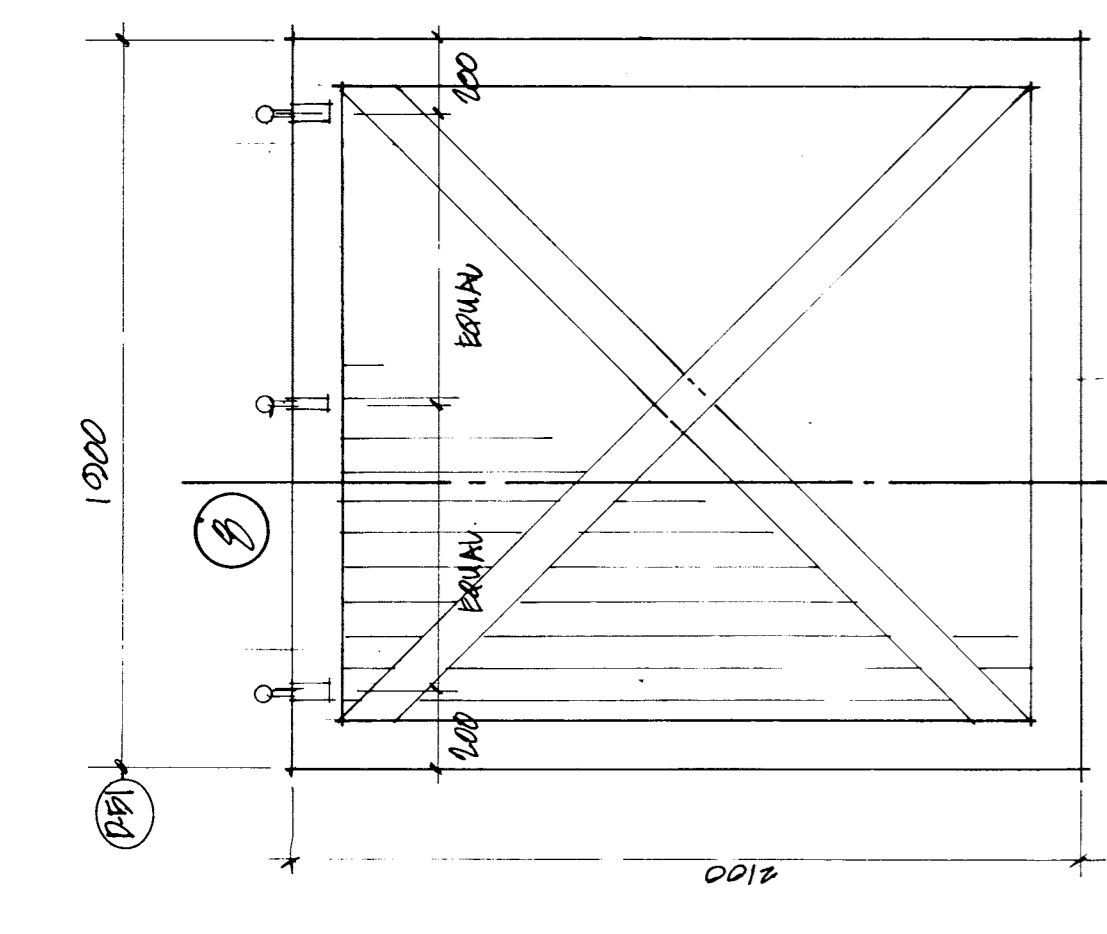
6 SECTION THRU & BEAM EXTENSION



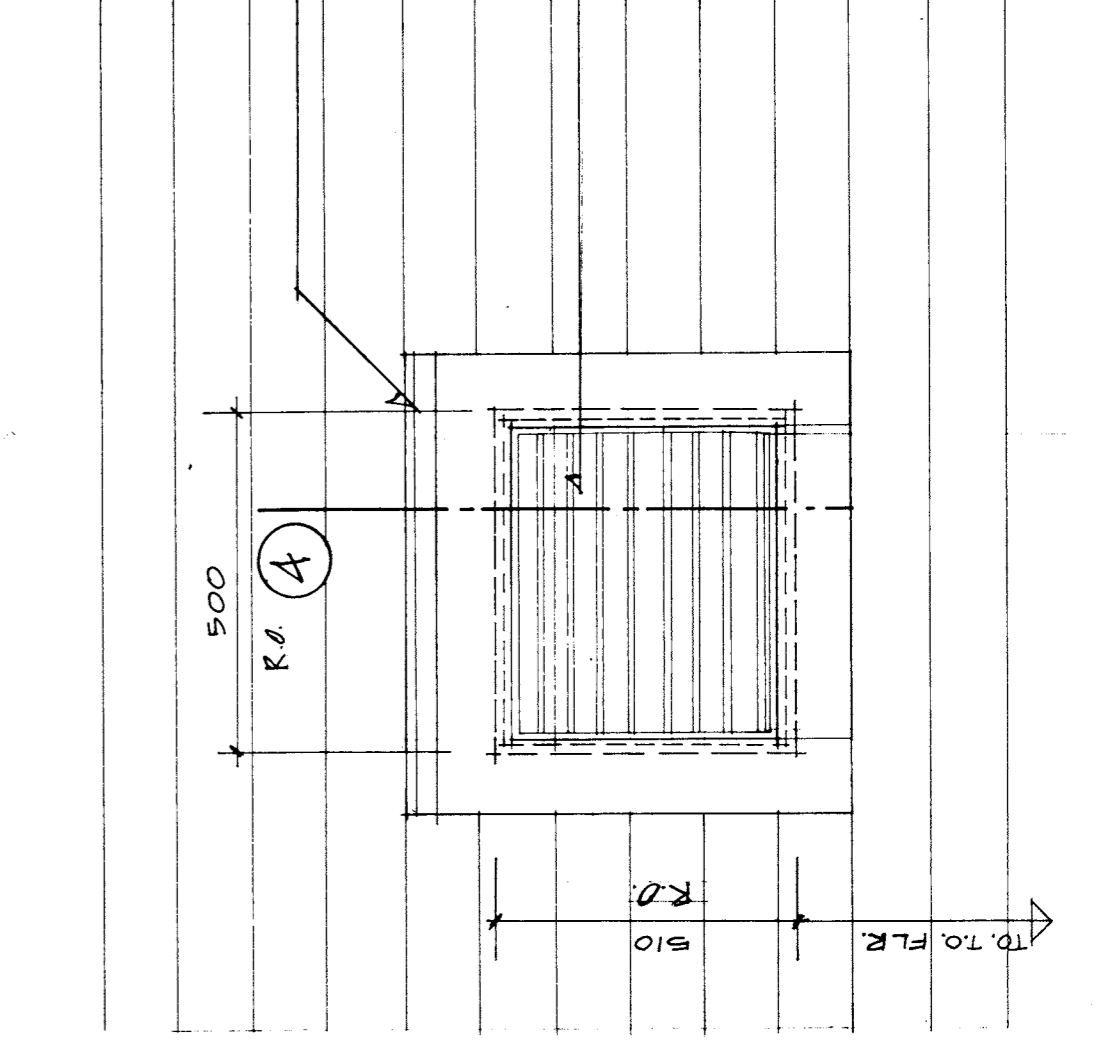
7 ELEVATION SLIDING PANEL DOORS (D-2) (D-4) (D-8) (D-10)



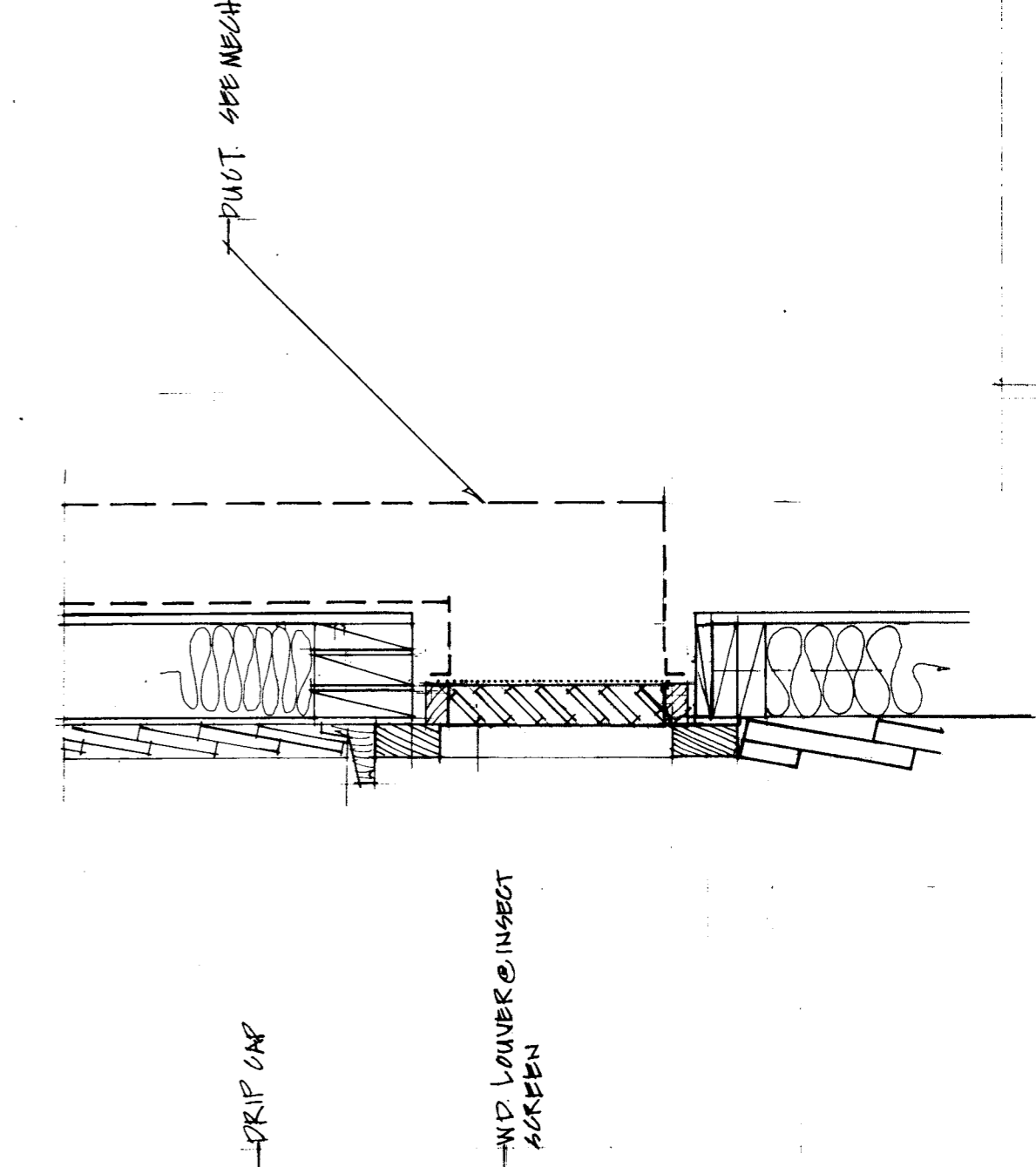
8 SECTION THRU SLIDING PANEL DOOR



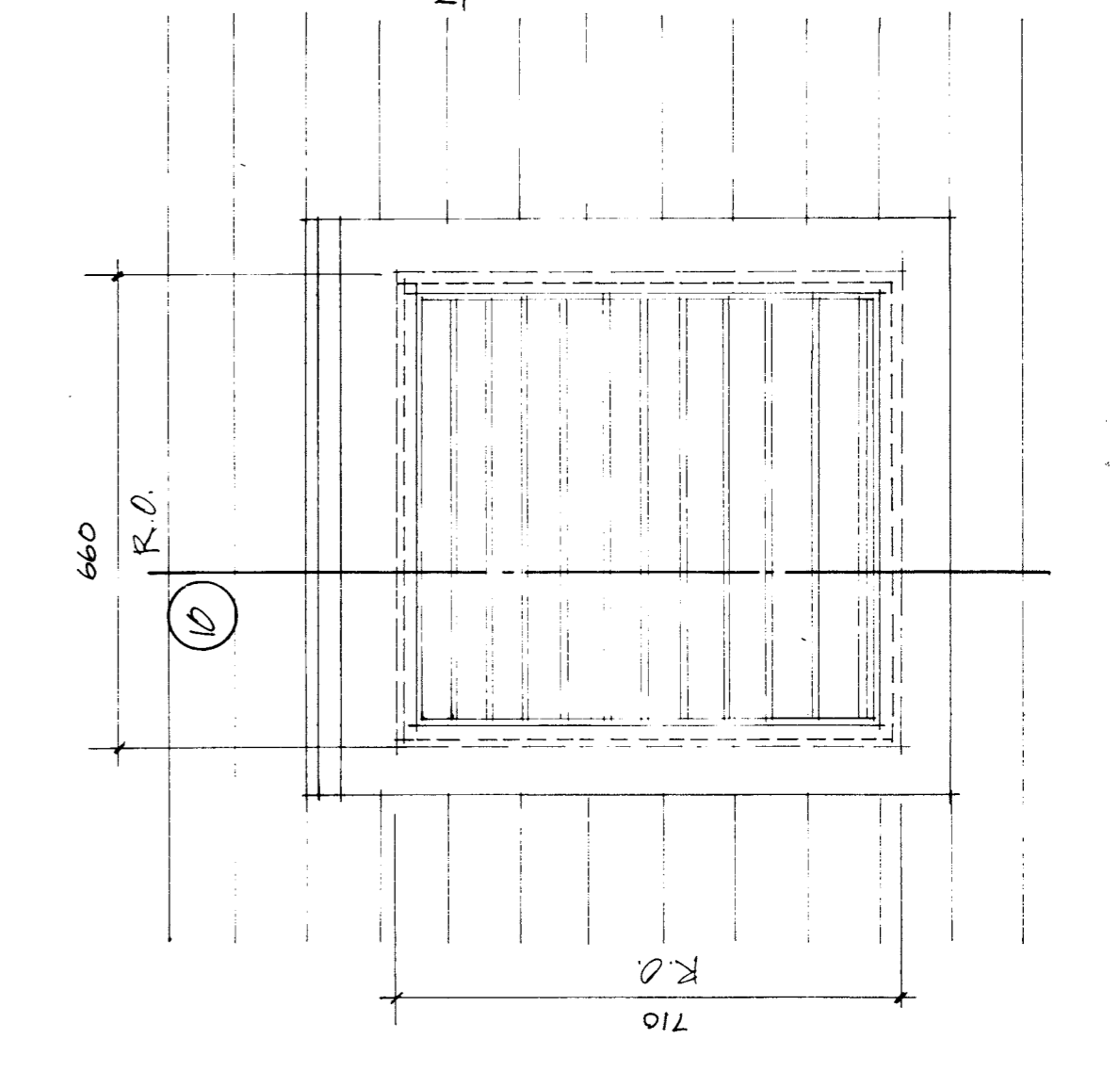
11 ELEVATION REMOVABLE LIFT UP/TIE DOWN GATE



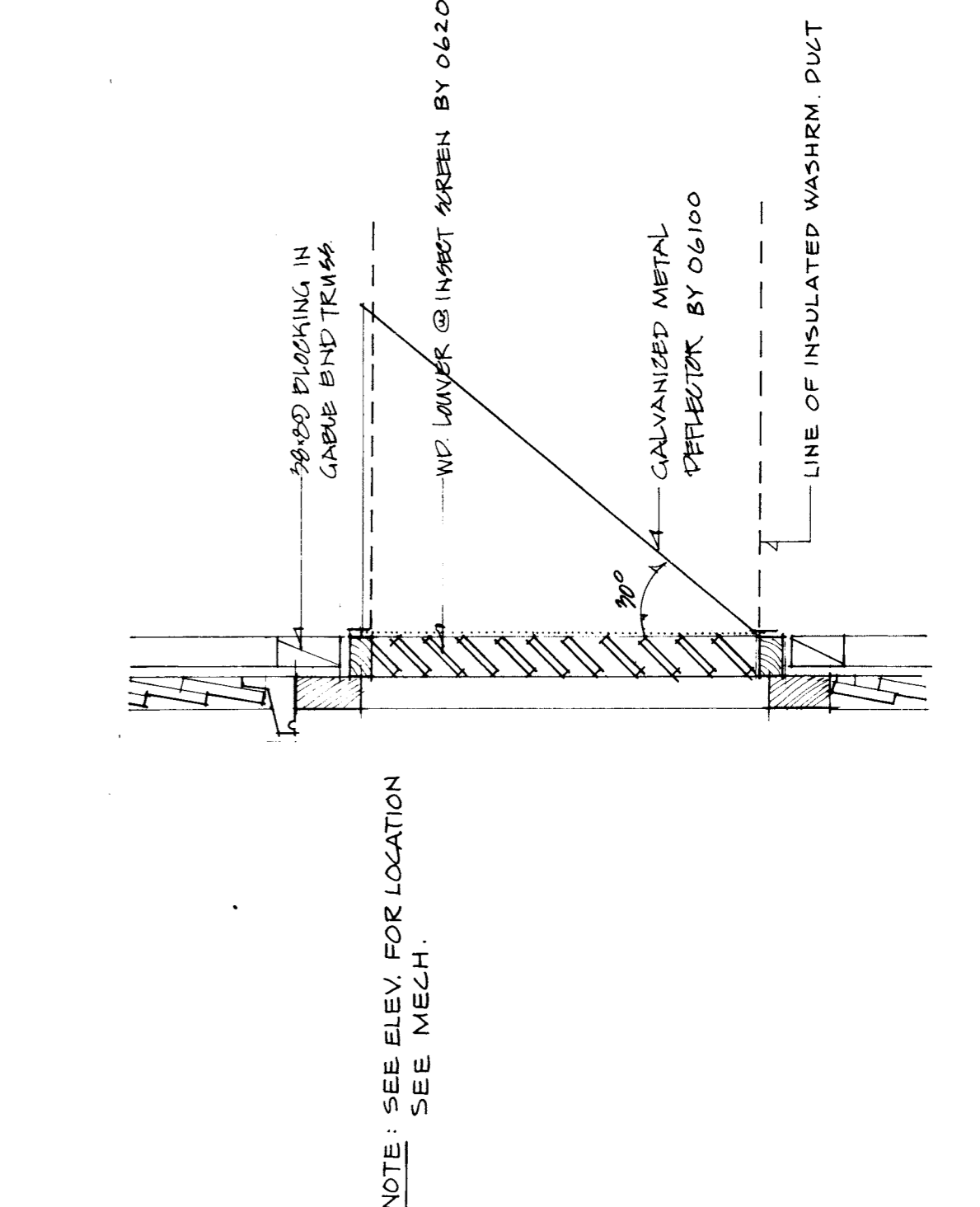
3 ELEVATION TYPICAL COMBUSTION AIR GRILLE SUPPLY 08610 INSTALL 06100



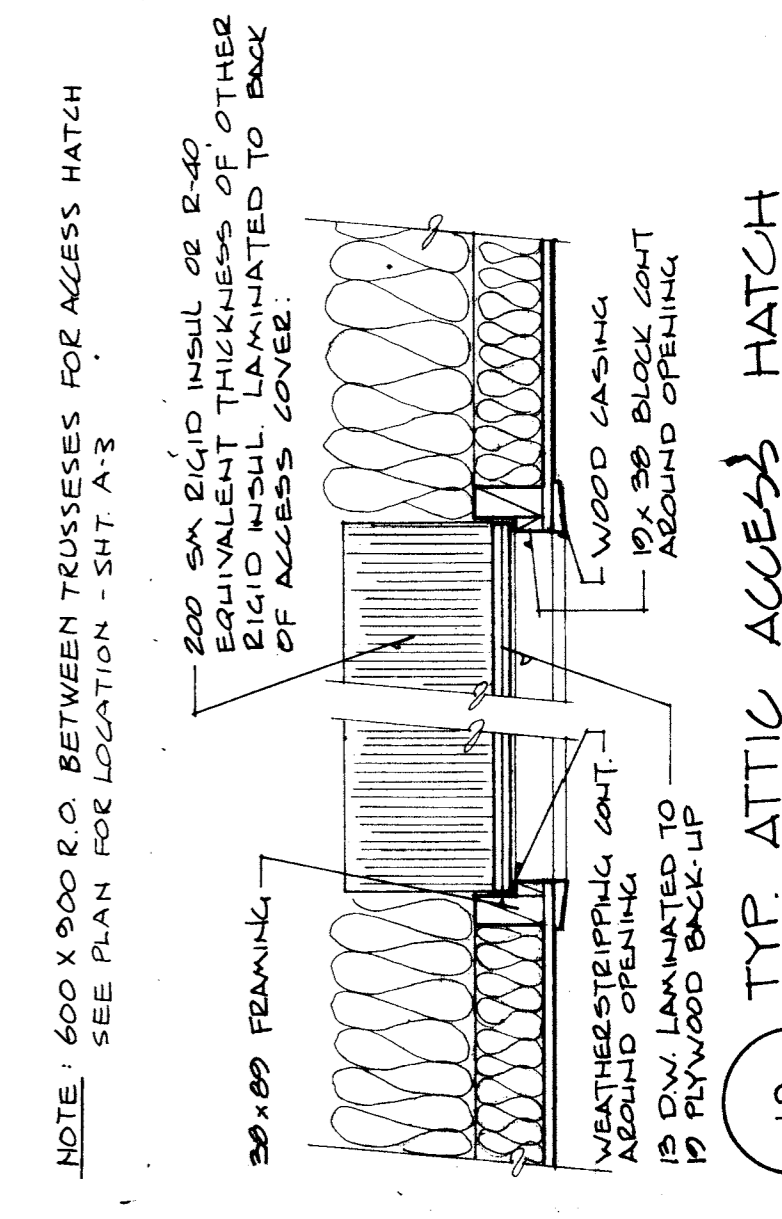
4 SECTION THRU COMBUSTION AIR GRILLE



9 ELEVATION TYP RECTANGULAR ATTIC VENT & WASHROOM EXHAUST GRILLE SUPPLY 08610 INSTALL 06100



10 SECTION THRU RECT. ATTIC VENT



12 TYP. ATTIC ACCESS HATCH

WINNIPEG REGINA THUNDER BAY

DESIGNED BY
R. D. KEENBERG

PREPARED BY
C. J. S. YAMASHITA

CHECKED BY
J. S. YAMASHITA

CITY OF WINNIPEG
DIVISION OF PUBLIC WORKS

PROJECT
NORTHEAST PARK
RECREATION BUILDING
FOR
THE CITY OF WINNIPEG

SHEET TITLE
MISCELLANEOUS
CONSTRUCTION DETAILS

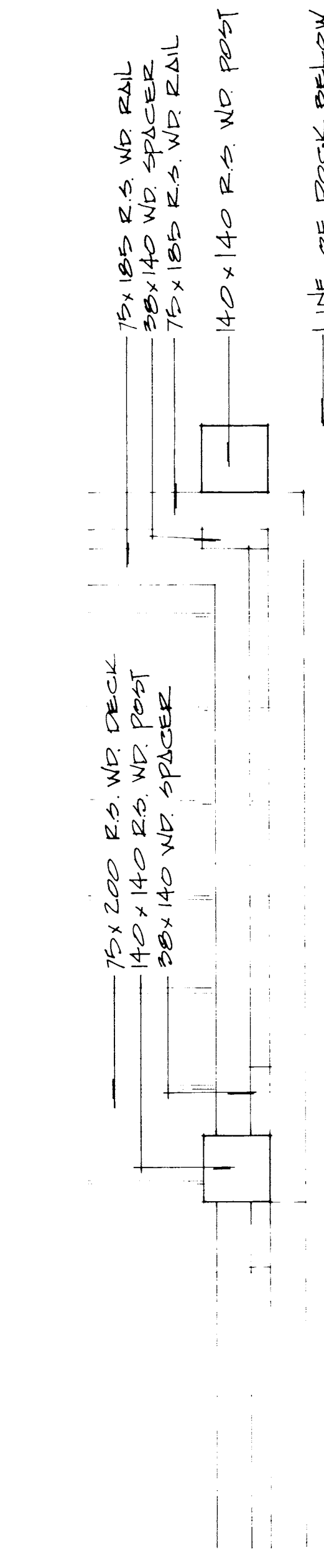
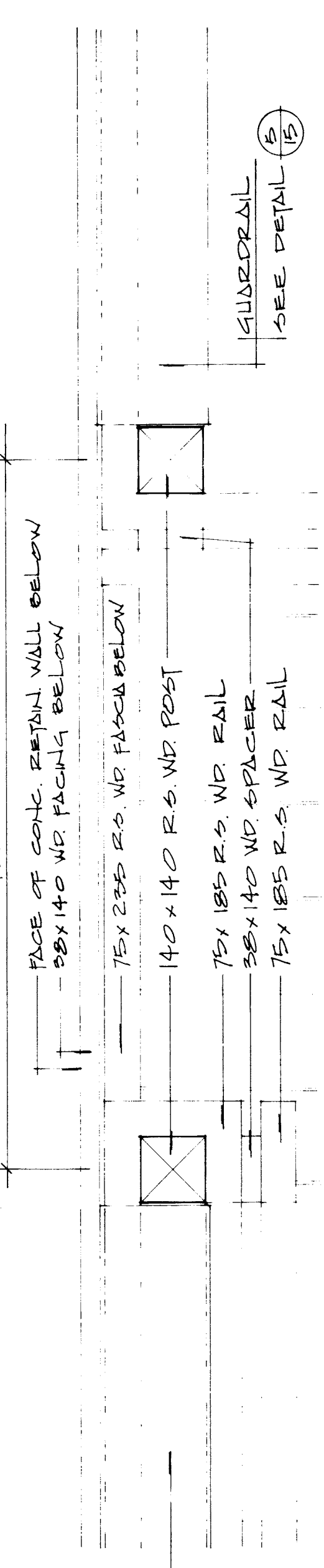
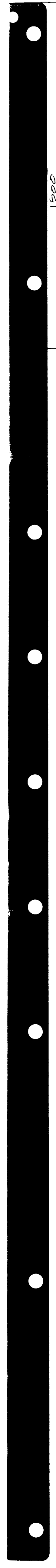
DATE: NOV 80

DRAWN BY: [signature]

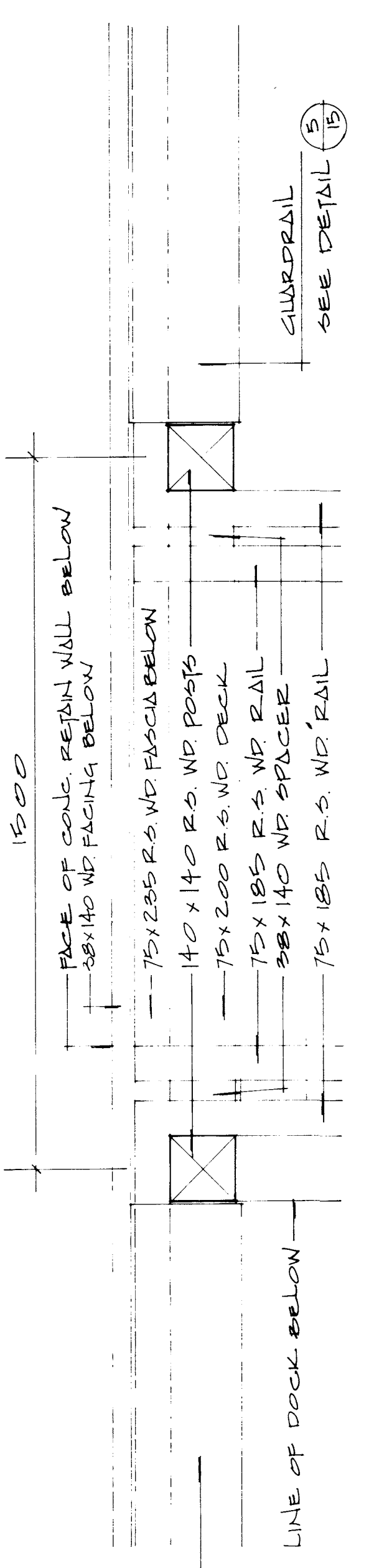
CHECKED: [signature]

FILE: 80 107

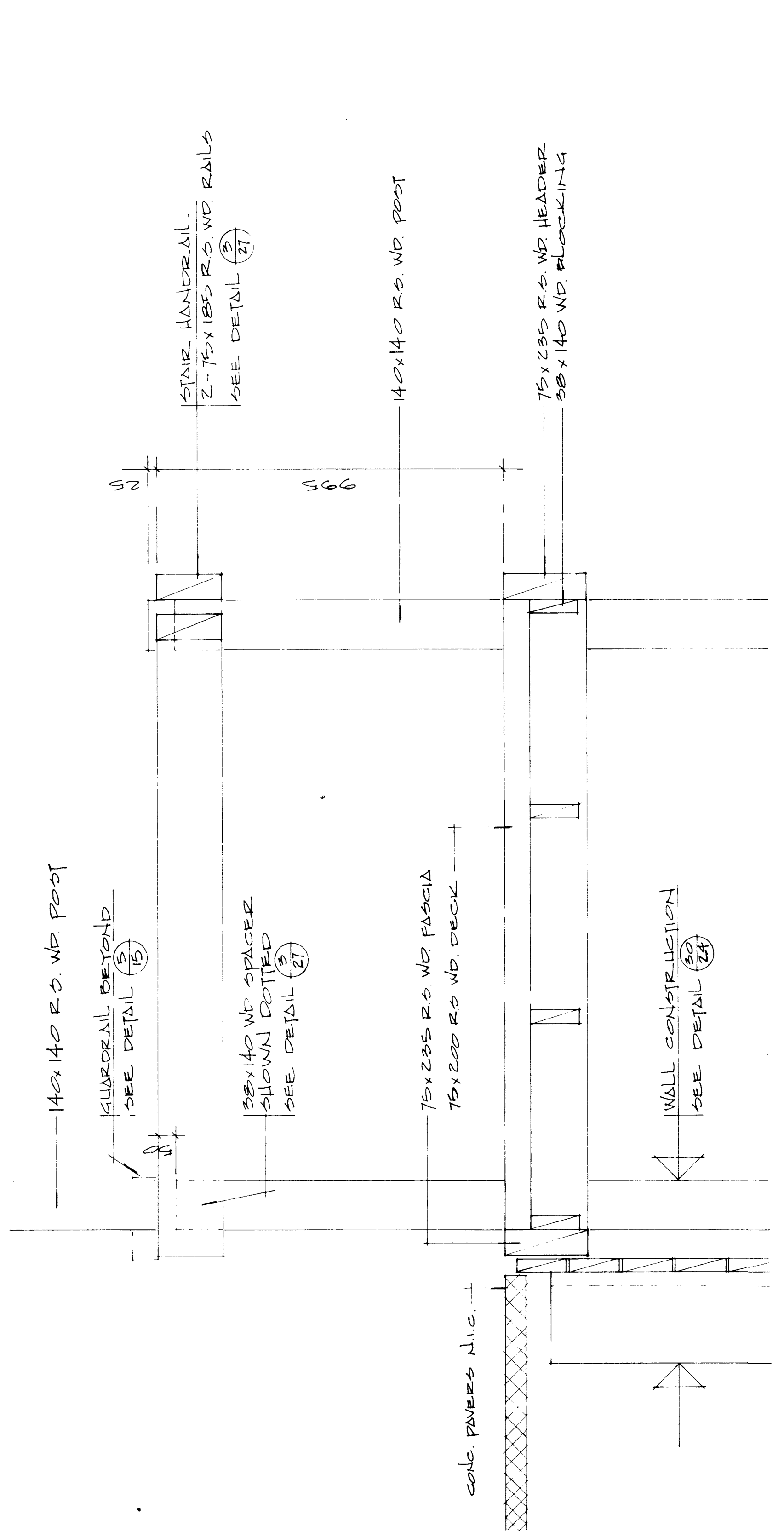
SHEET NO: **A26**



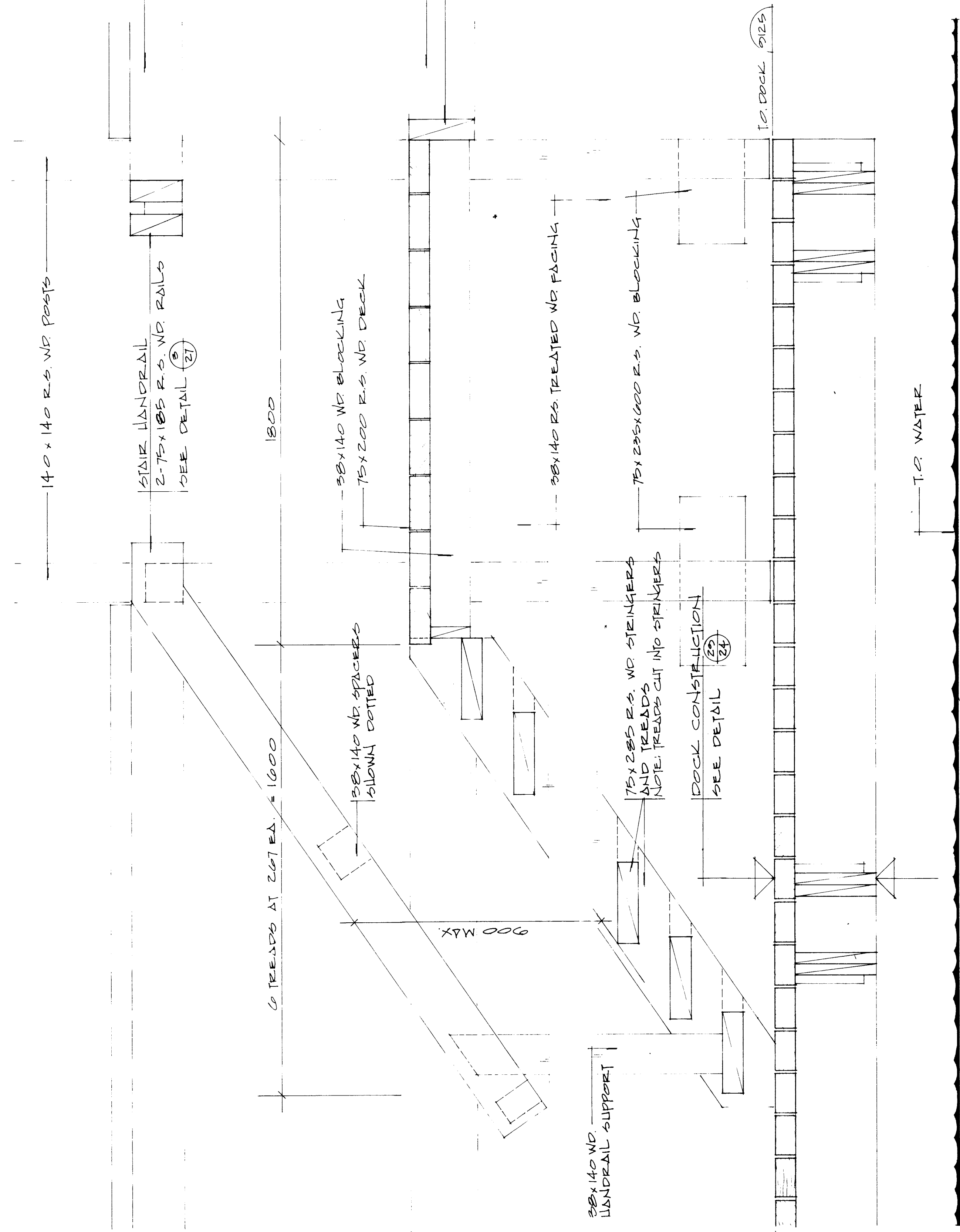
3 PLAN DETAIL AT STAIR 'A'
SCALE



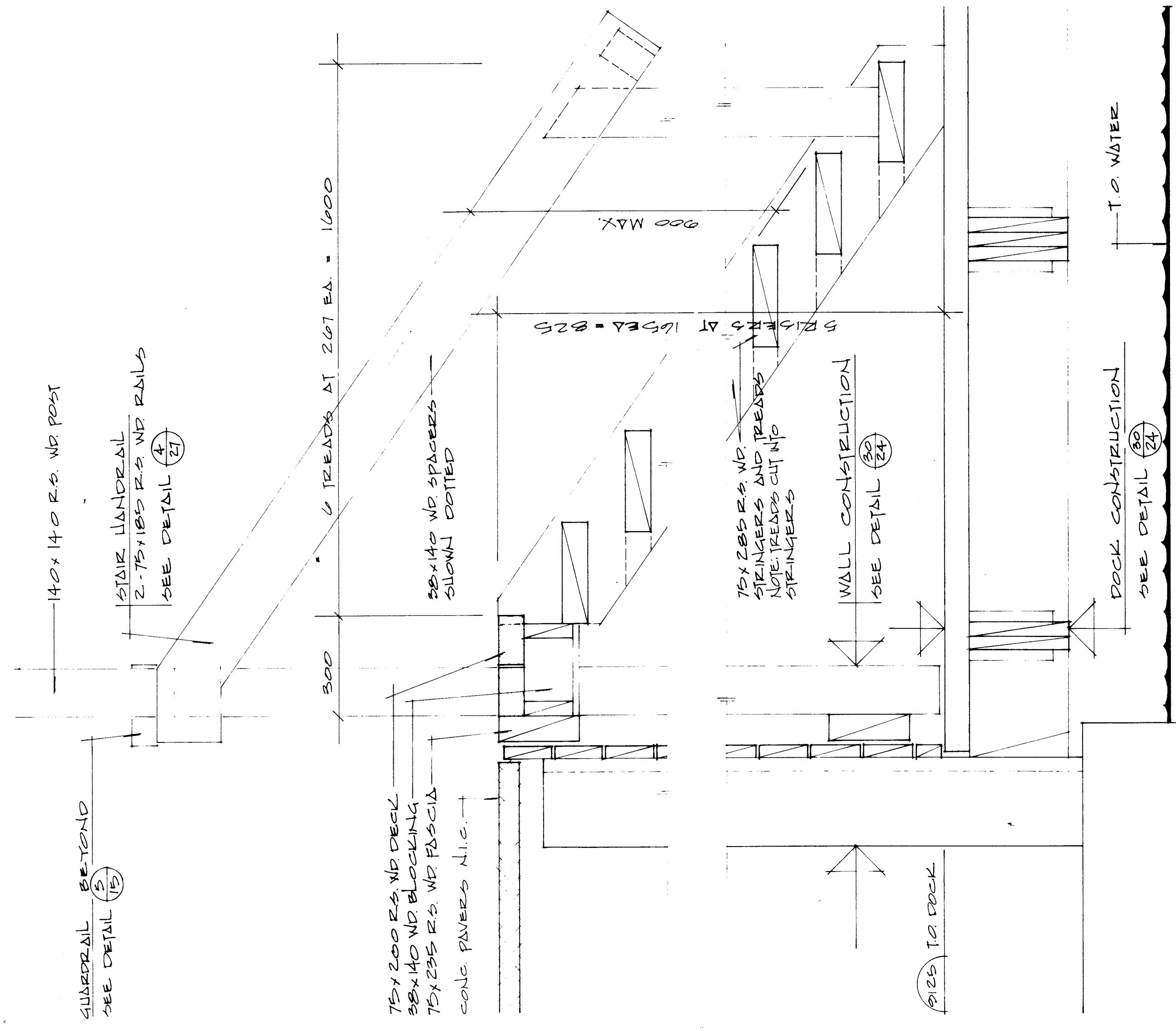
4 PLAN DETAIL AT STAIR 'B'
SCALE



1 SECTION AT STAIR 'A'
SCALE



2 SECTION AT STAIR 'A'
SCALE



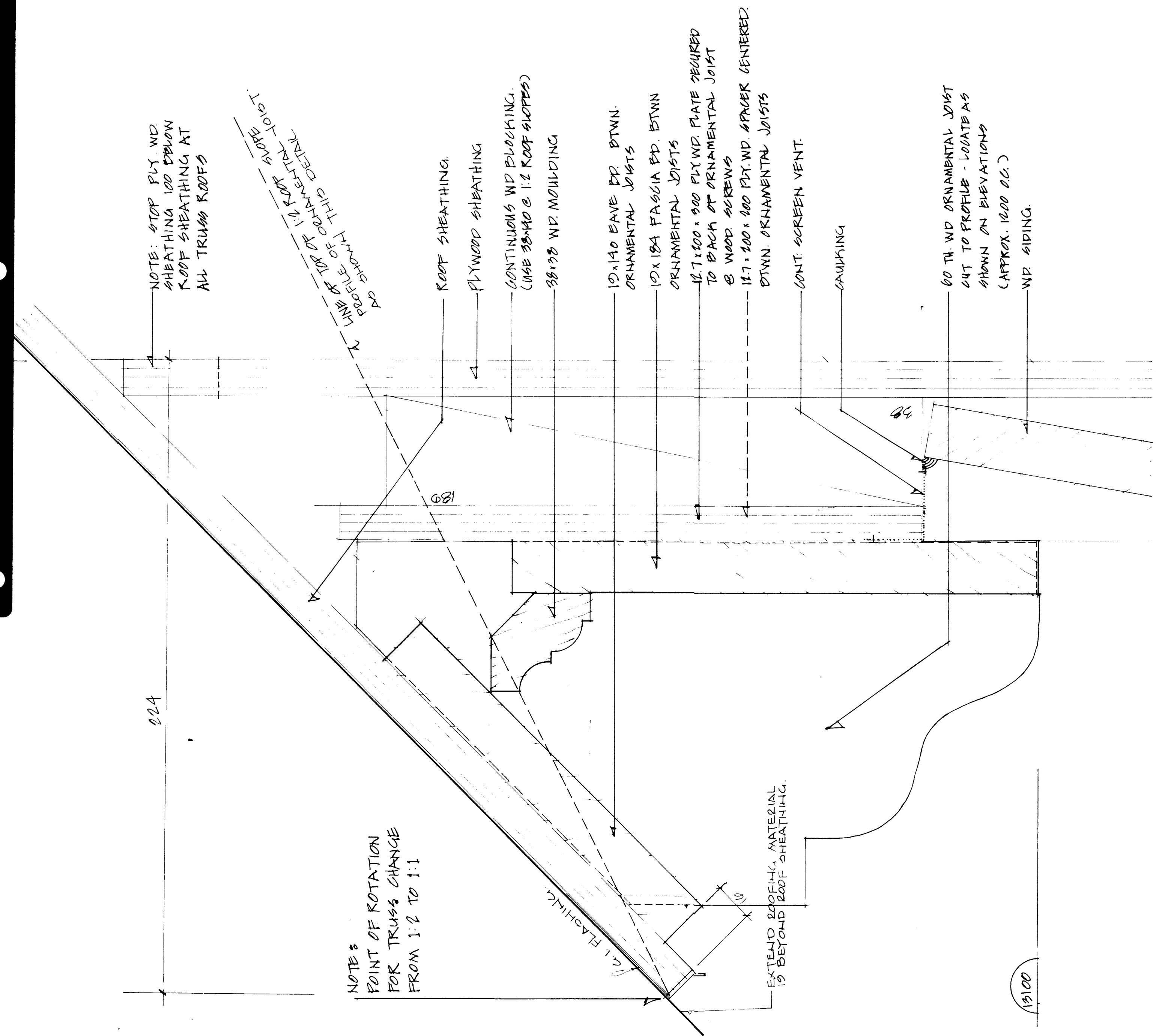
5 SECTION AT STAIR 'B'
SCALE

I KOY
WINNIPEG REGINA THUNDER BAY

R.D. KEBERBERG
Project Manager
City of Winnipeg
City of Winnipeg
City of Winnipeg

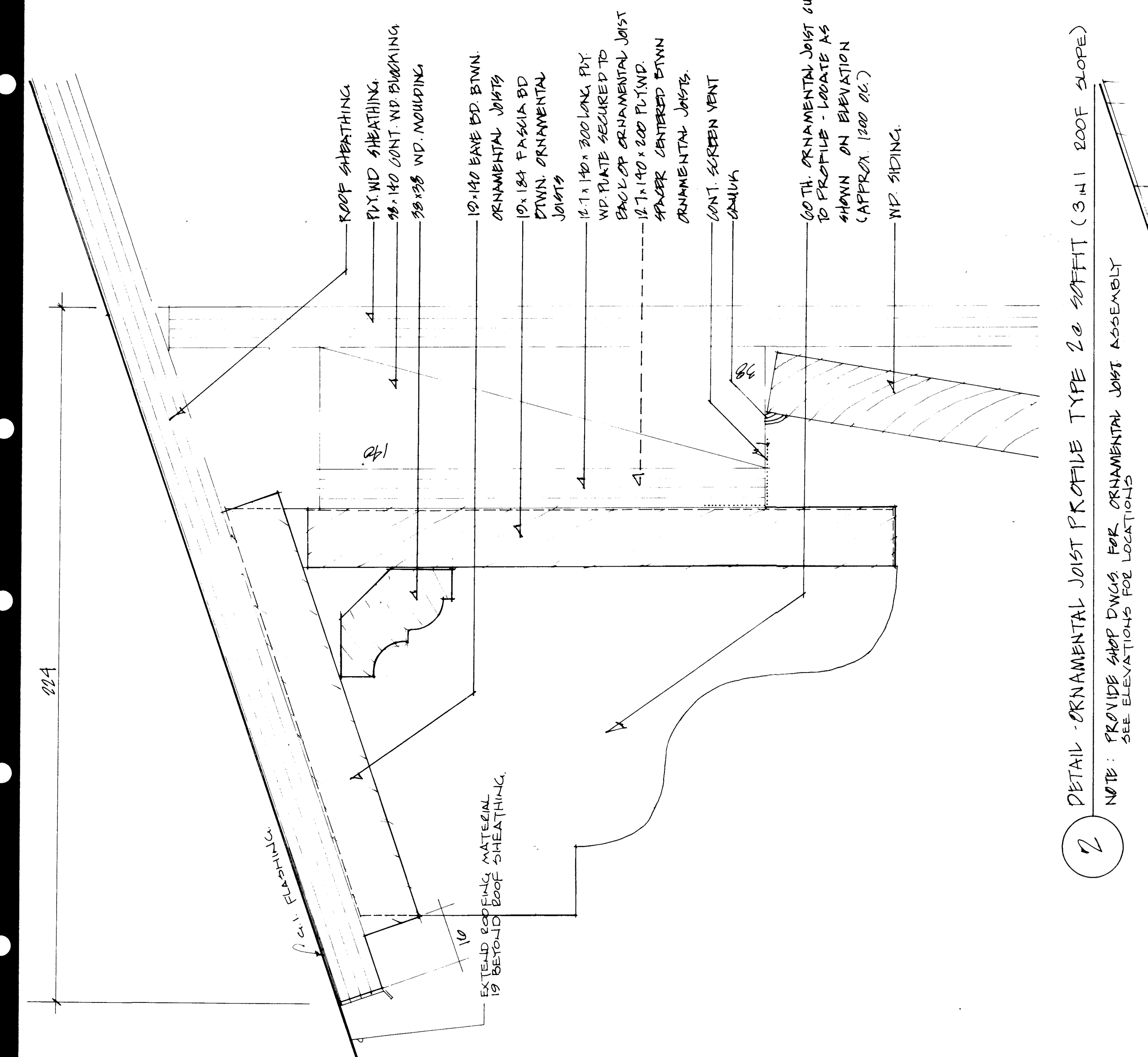
PROJECT
NORTHEAST PARK RECREATION BUILDING
FOR
THE CITY OF WINNIPEG
SHEET TITLE
STAIR DETAILS

CHECKED BY
DATE
NOV 80
FILE
80 007
SHEET NO
A 27



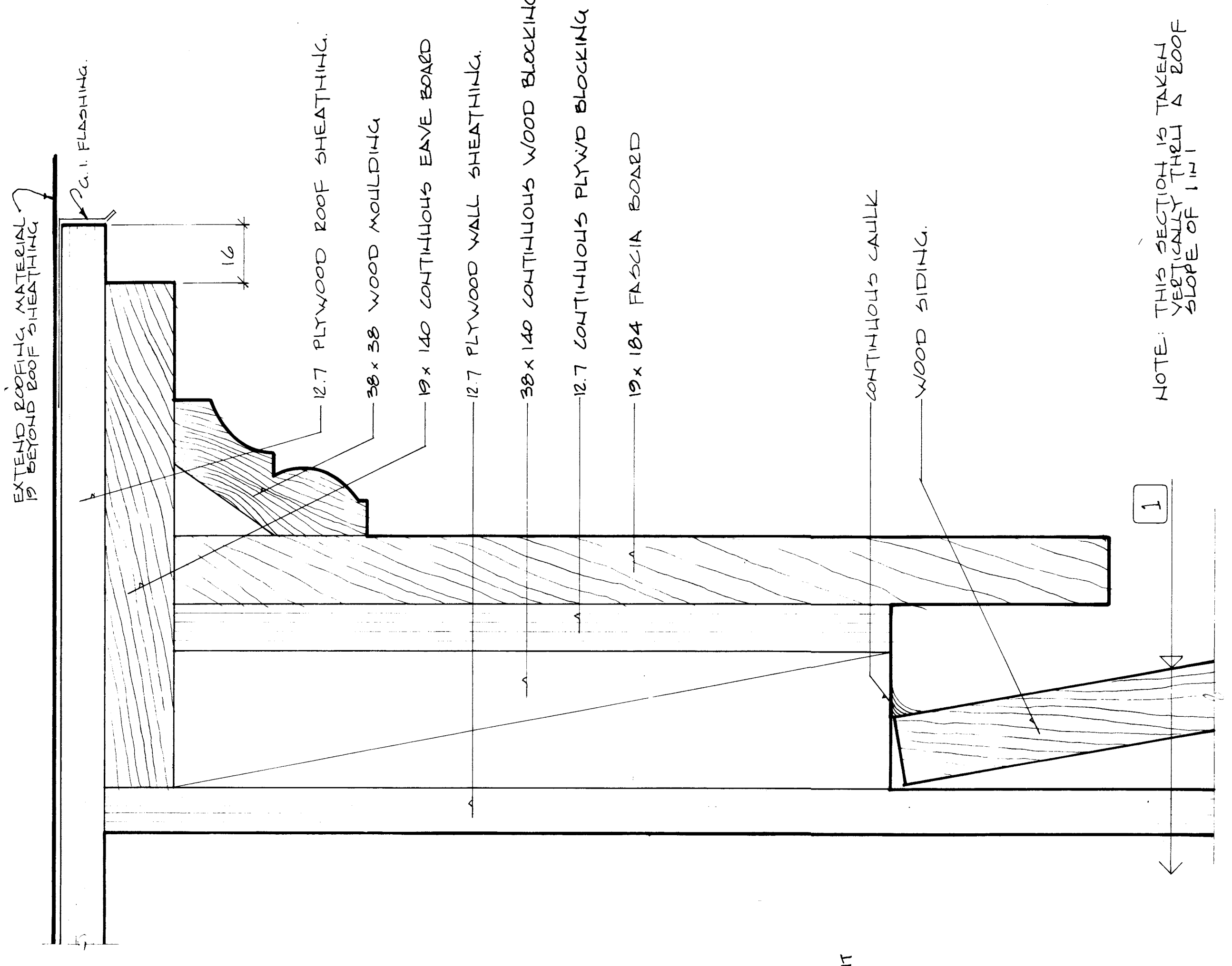
1 DETAIL ORNAMENTAL JOINT PROFILE TYPE 1 @ 40/111 (1:1 & 1:2 ROOF SLOPE)

6" FULL SIZE
NOTE: PROVIDE SHIP ENDS FOR ORNAMENTAL JOINT ASSEMBLY. SEE ELEVATIONS FOR LOCATIONS



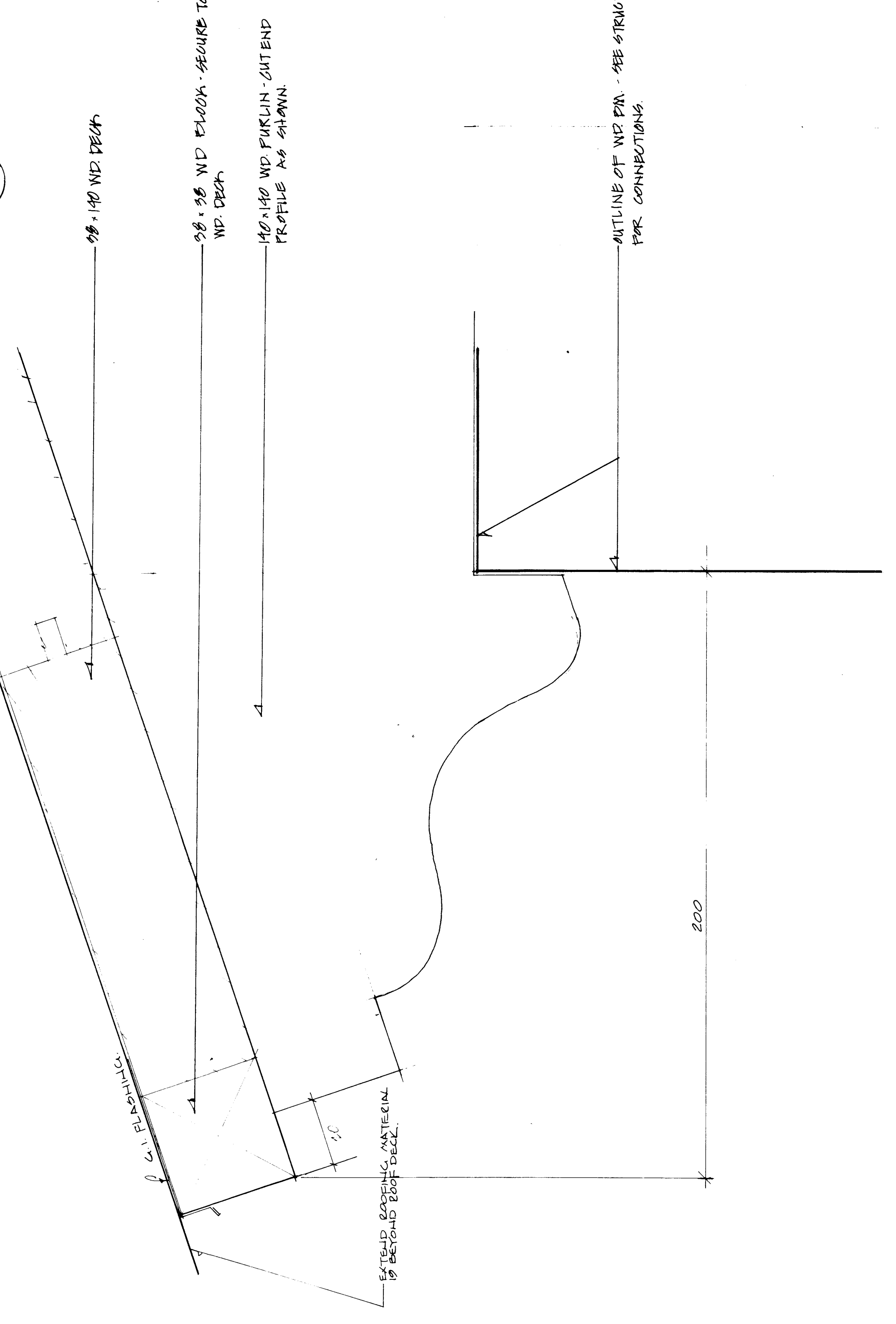
2 DETAIL ORNAMENTAL JOINT PROFILE TYPE 2 @ 30/111 (3:4:1 ROOF SLOPE)

6" FULL SIZE
NOTE: PROVIDE SHIP ENDS FOR ORNAMENTAL JOINT ASSEMBLY. SEE ELEVATIONS FOR LOCATIONS



NOTE: THIS SECTION IS TAKEN VERT. SECTION THROUGH R. ROOF SLOPE OF 1:1.1

4 CABLE END EAVE DETAIL FULL SIZE



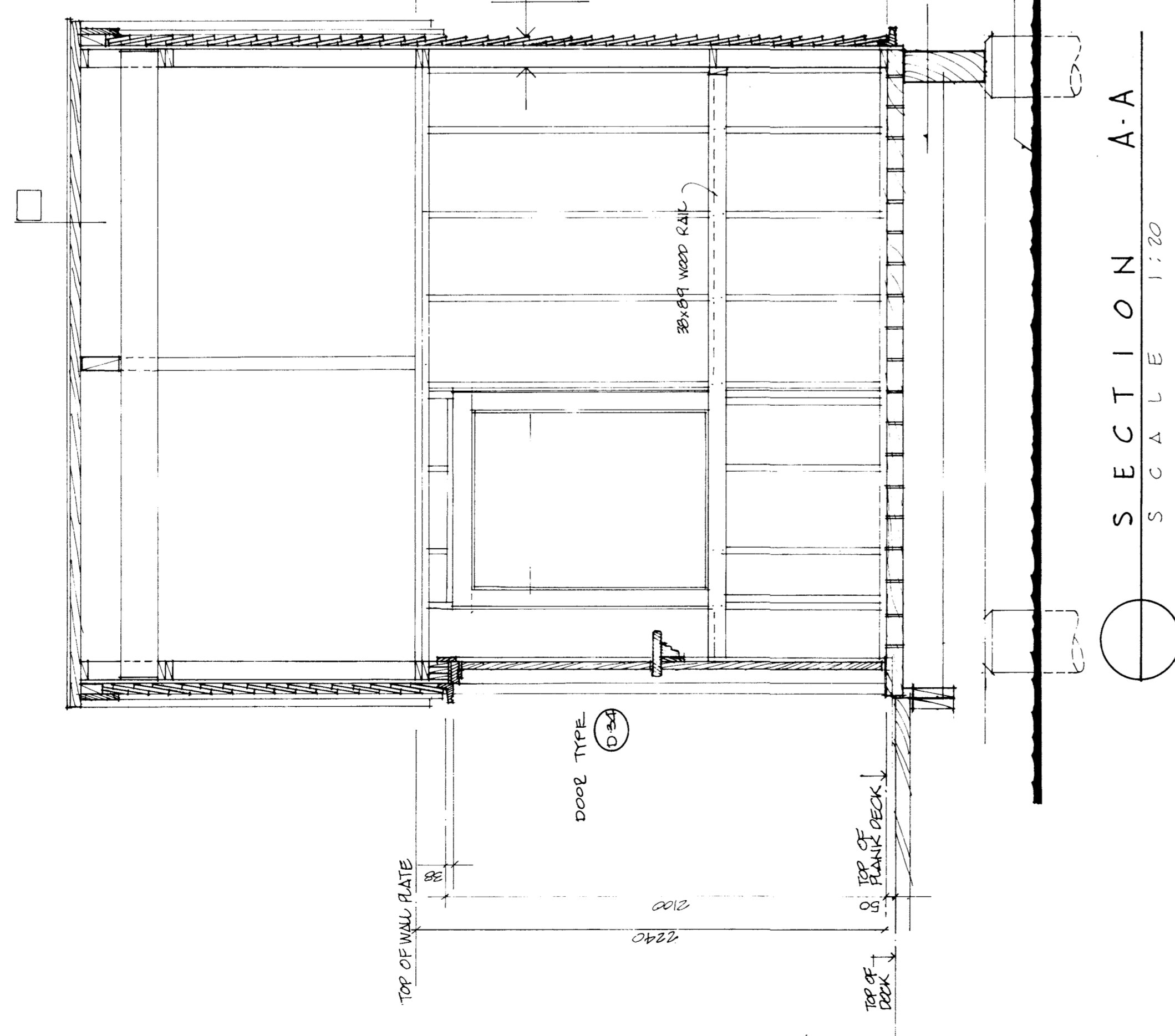
3 DETAIL PROFILE OF END FURLIN AT COVERED ENCLOSED WALK

IKOY
WINNIPEG REGINA THUNDER BAY

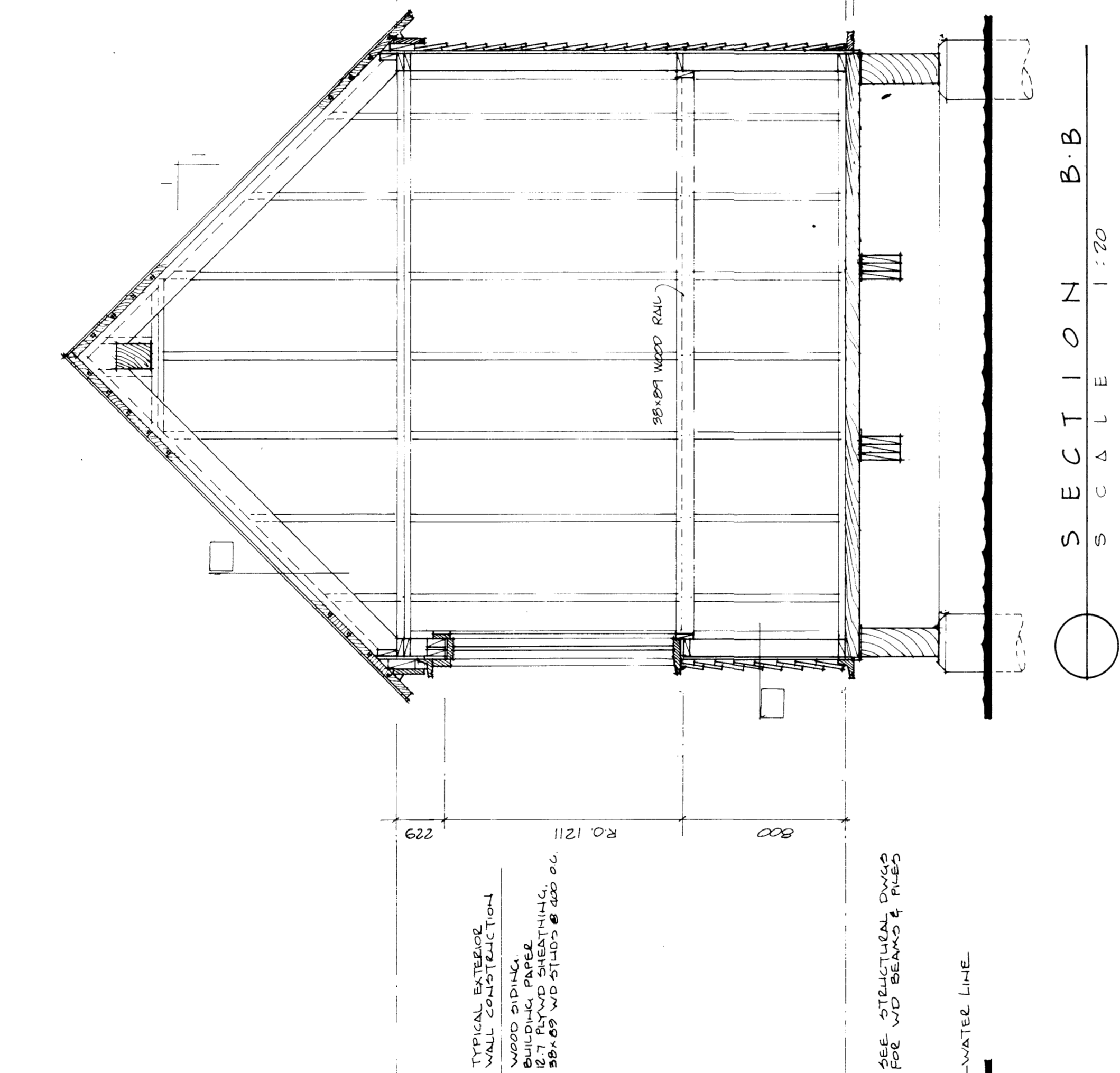
R. D. KEENBERG
Designer
Approved by
General Manager
Parks and Recreation
City of Winnipeg
Director of Civic Properties
City of Winnipeg

PROJECT
**NORTHEAST PARK
RECREATION BUILDING**
FOR
THE CITY OF WINNIPEG
SHEET TITLE
**ORNAMENTAL RAFTER
PROFILES**

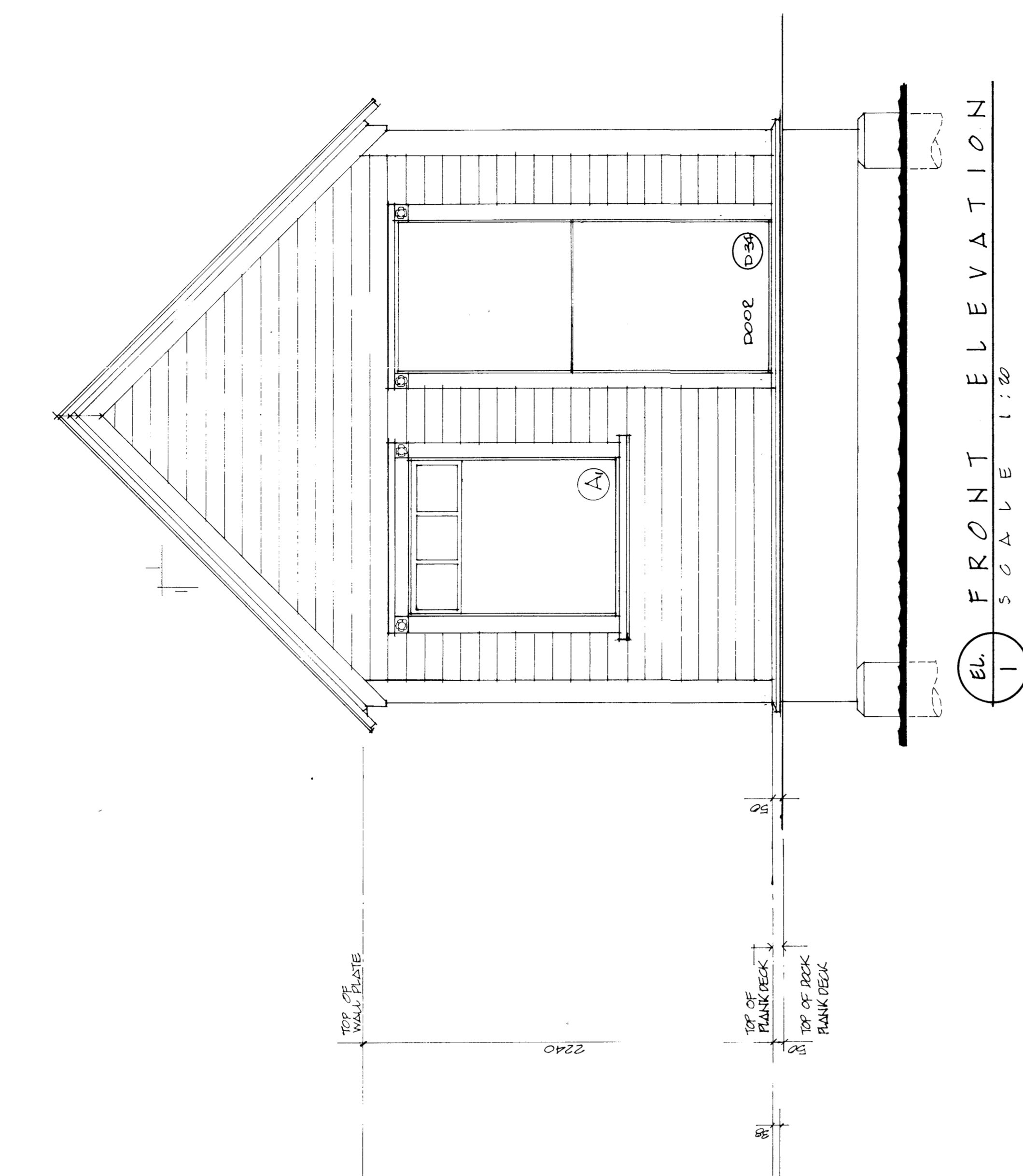
DRAWN BY
DATE
NOV 80
FILE
80.107
SHEET NO
A 28
CHECKED



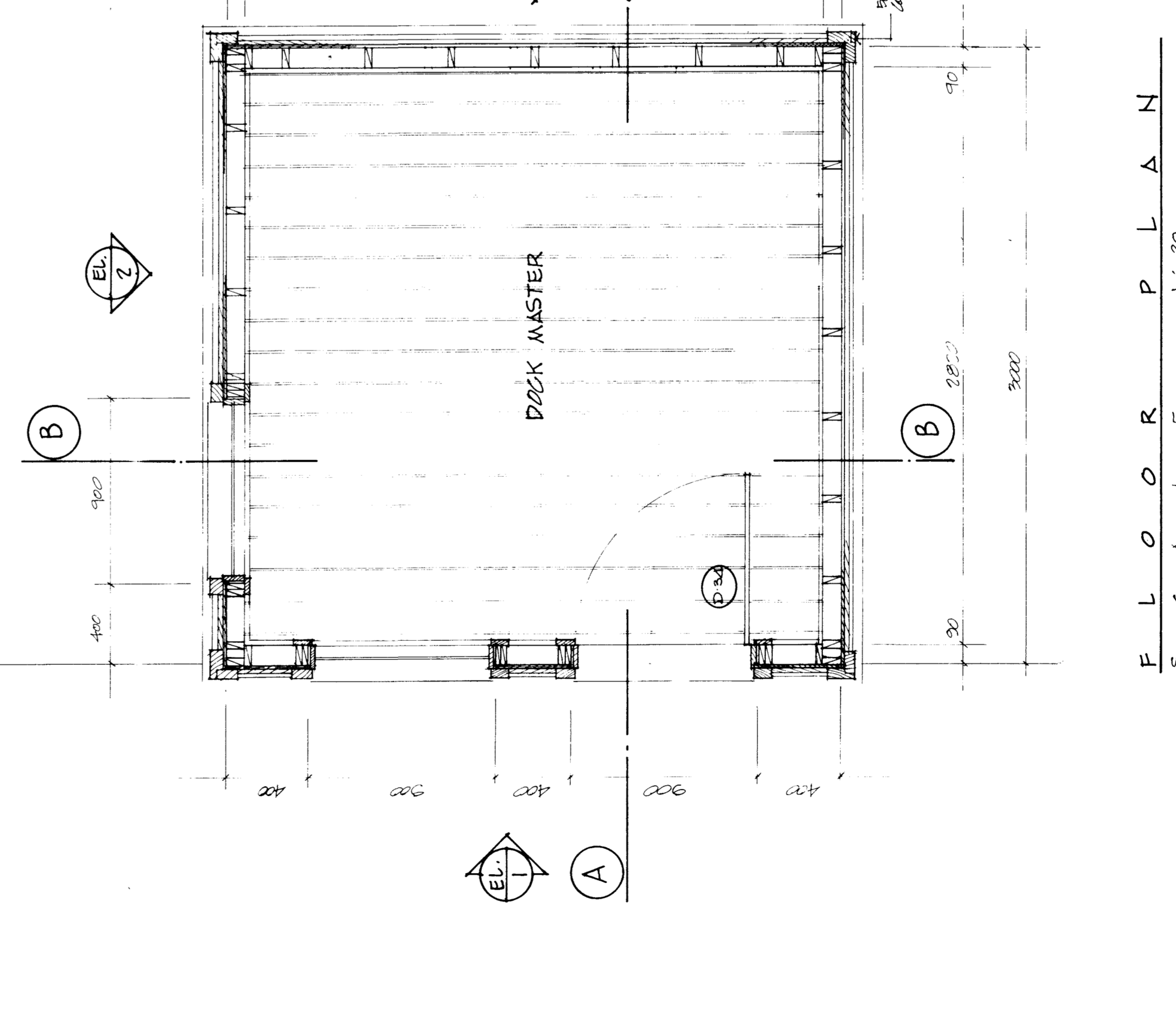
SECTION A-A
SCALE 1:20



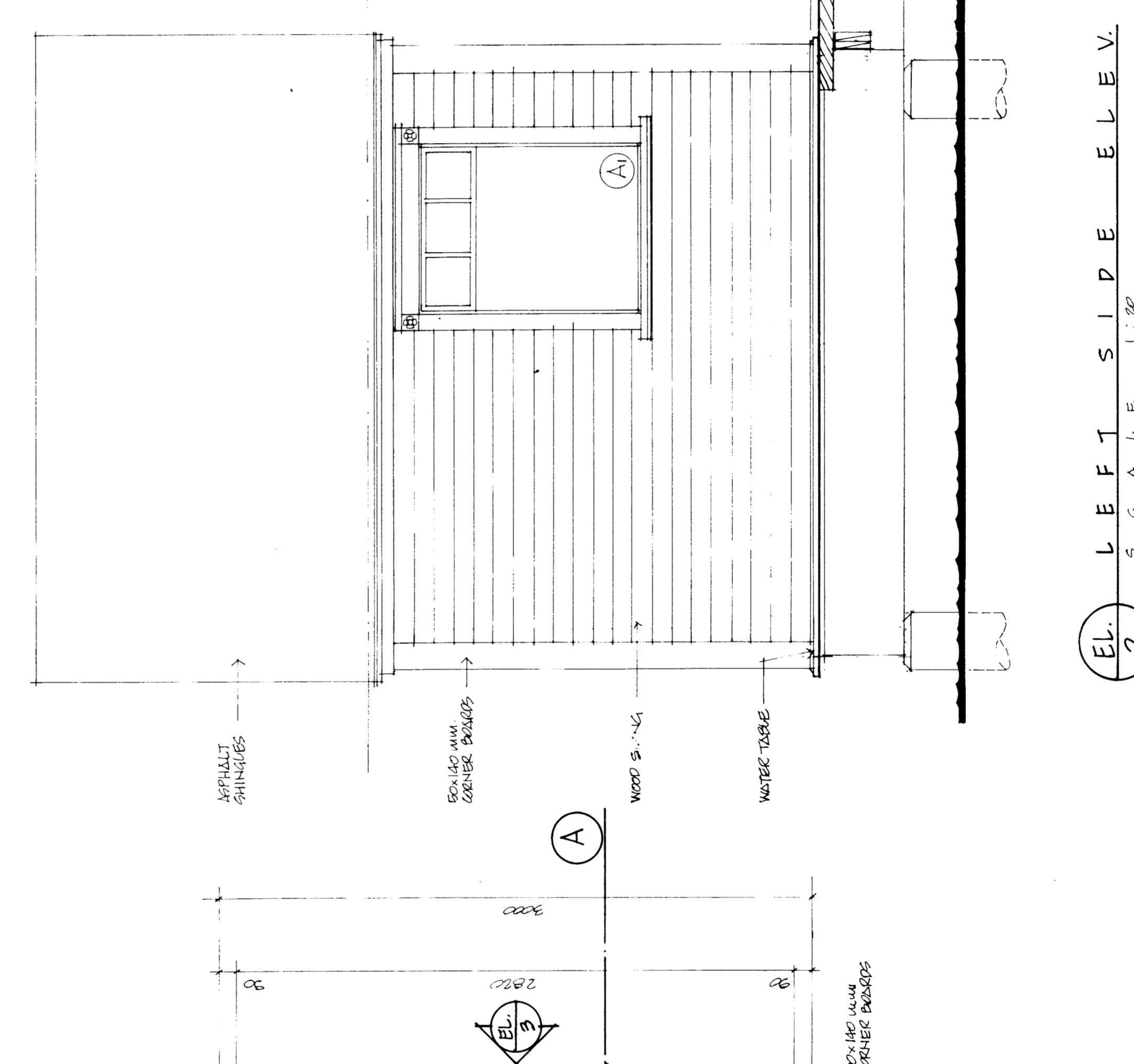
SECTION B-B
SCALE 1:20



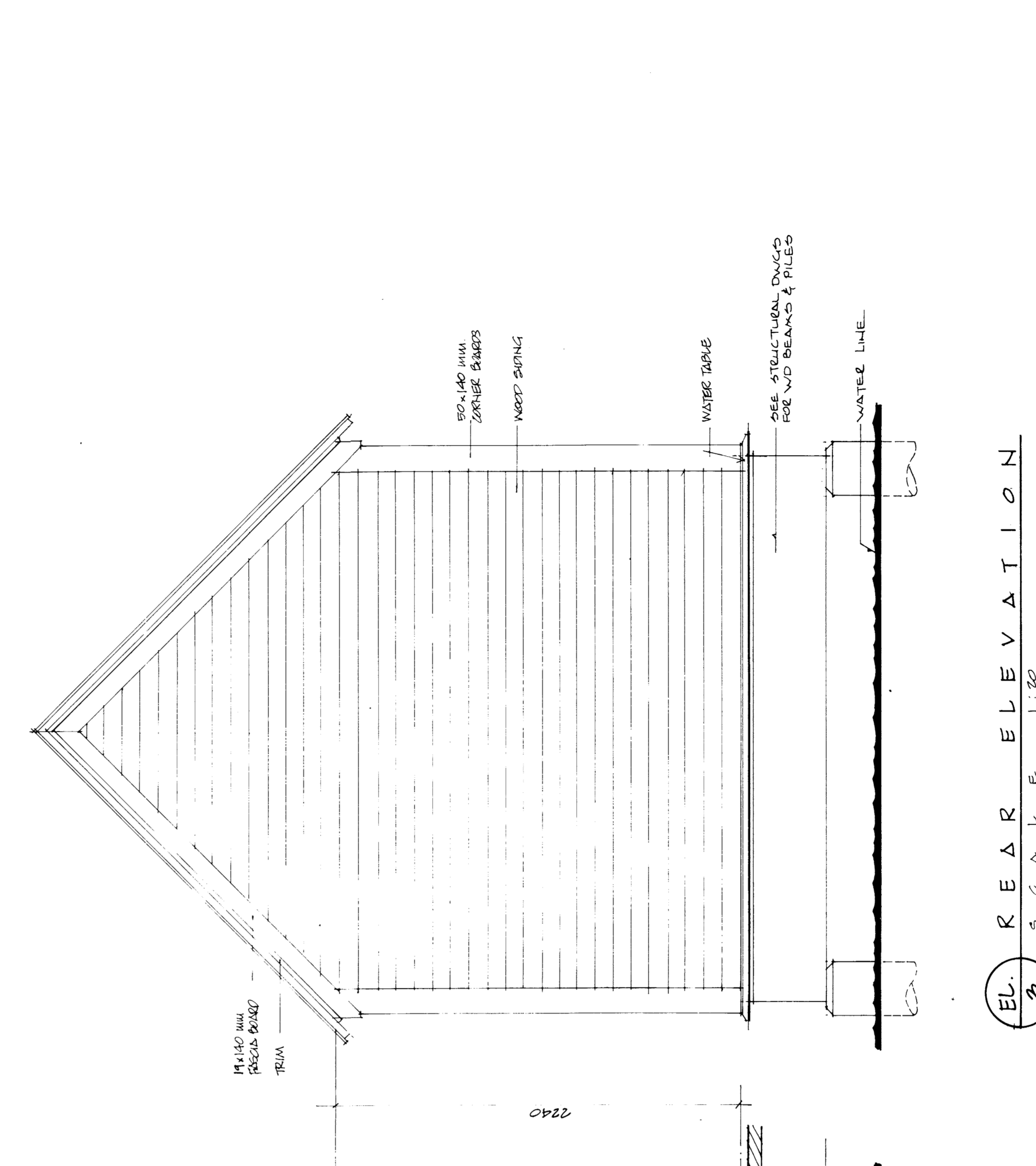
EL. FRONT ELEVATION
SCALE 1:20



FLOOR PLAN
SCALE 1:20



EL. LEFT SIDE ELEV.
SCALE 1:20

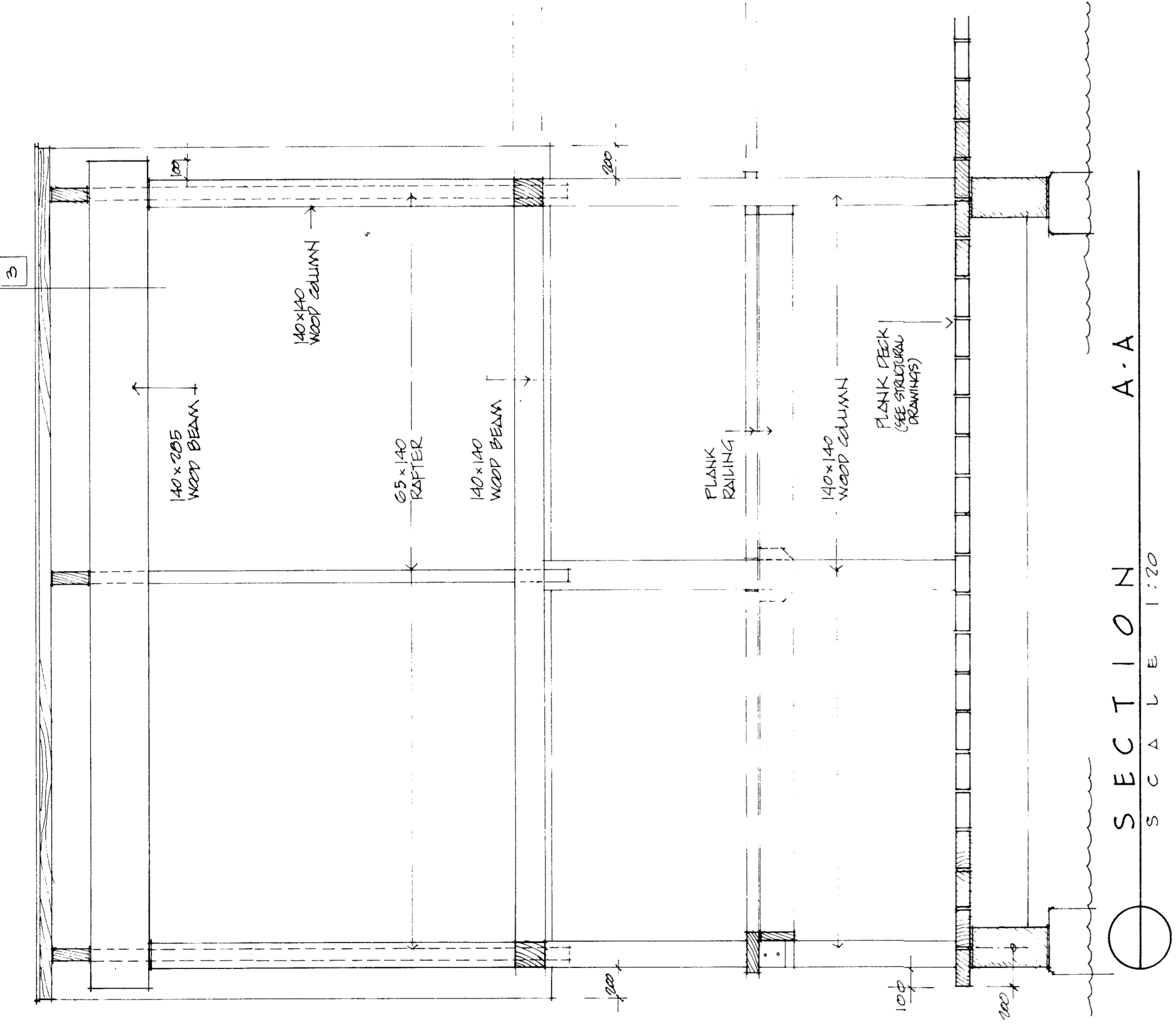


EL. REAR ELEVATION
SCALE 1:20

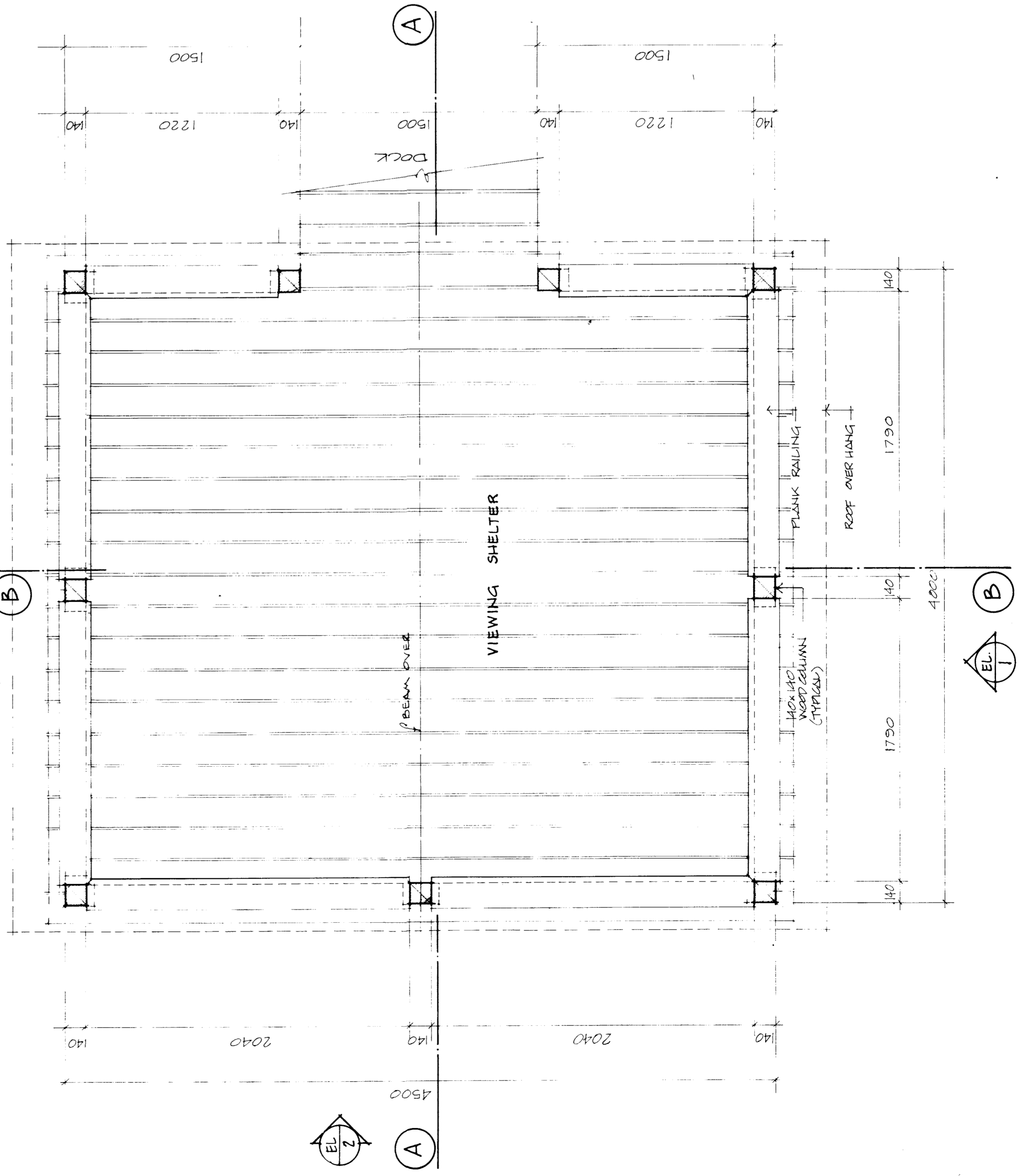
I KOY
WINNIPEG REGINA THUNDER BAY

R. D. KEENE
Design
Approved by
City of Winnipeg
City of Winnipeg
City of Winnipeg

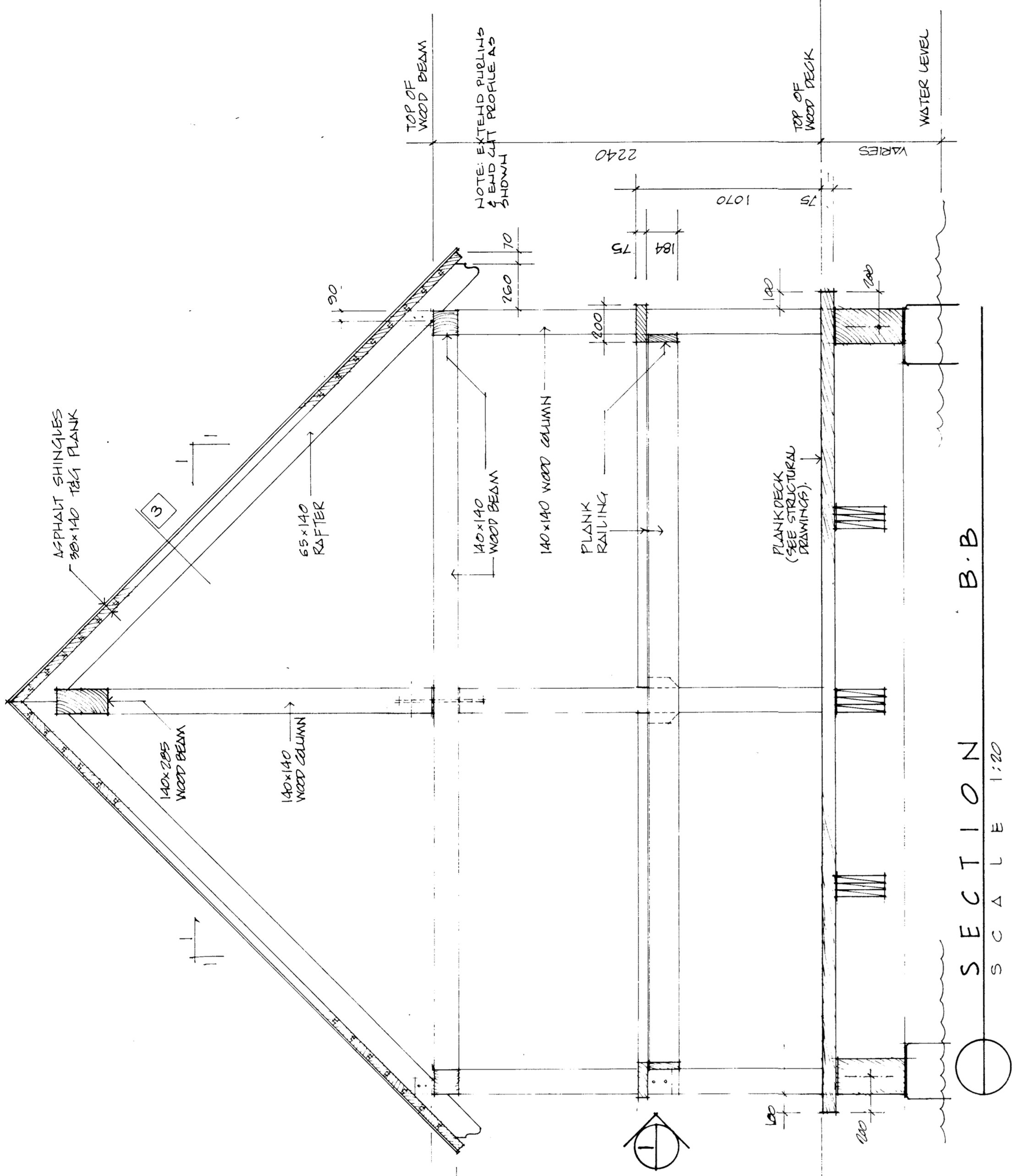
PROJECT
NORTHEAST PARK RECREATION BUILDING
FOR
THE CITY OF WINNIPEG
SHEET TITLE
DOCK MASTER PLAN SECTIONS & ELEVATION
DRAWN BY
DATE
NOV 80
CHECKED
FILE
80 107
SHEET NO
A30



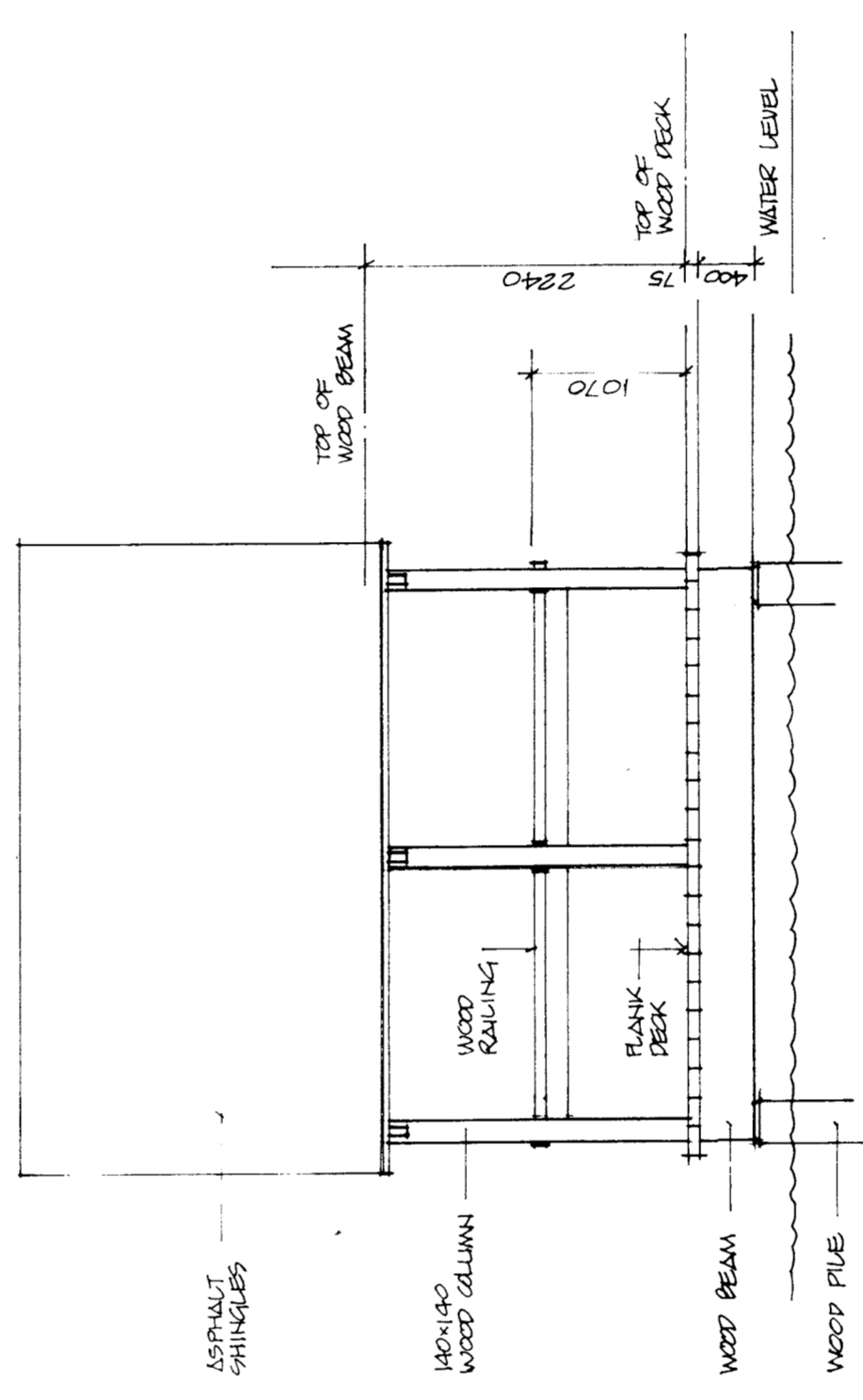
SECTION A-A
SCALE 1:20



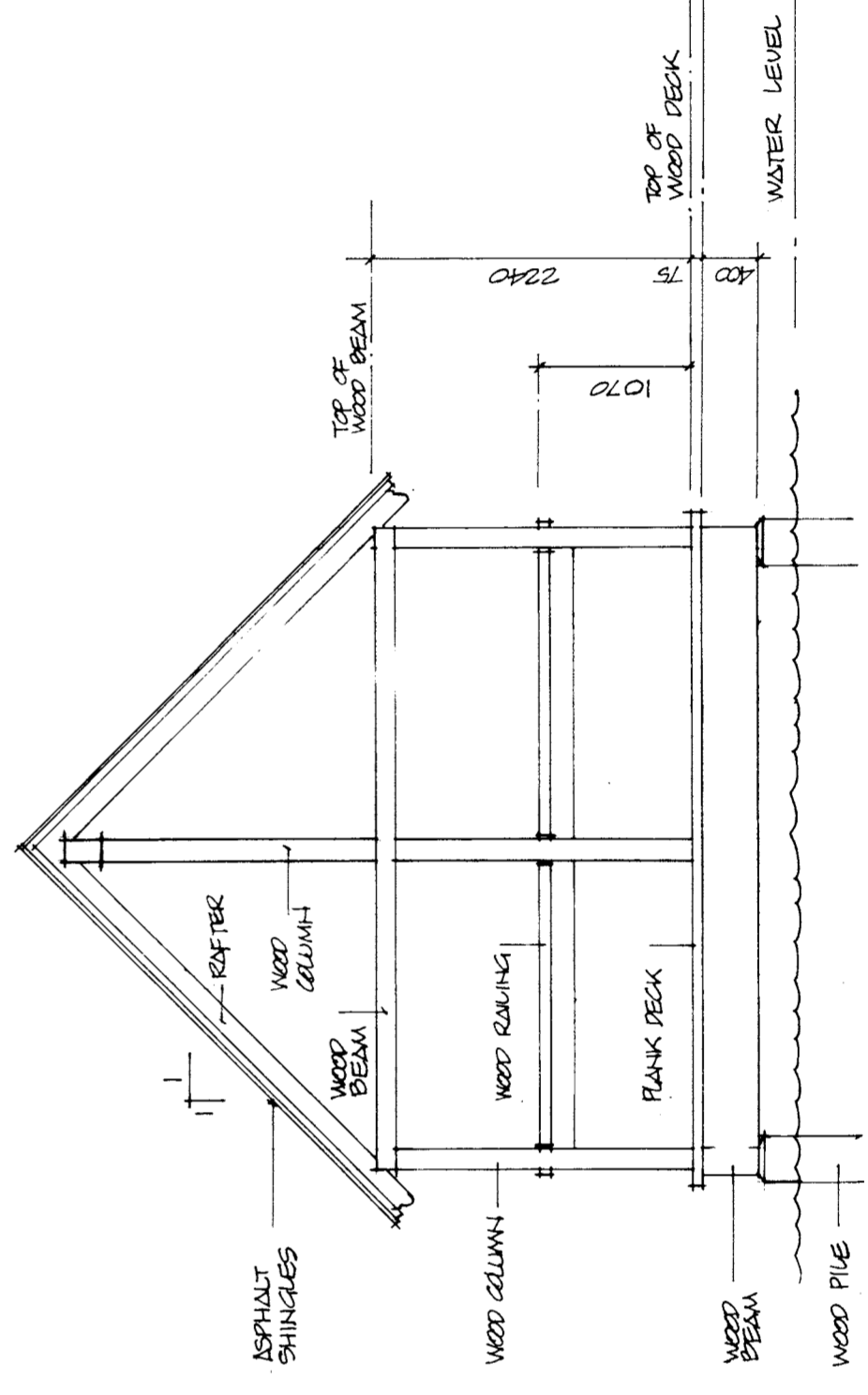
PLAN
SCALE 1:20



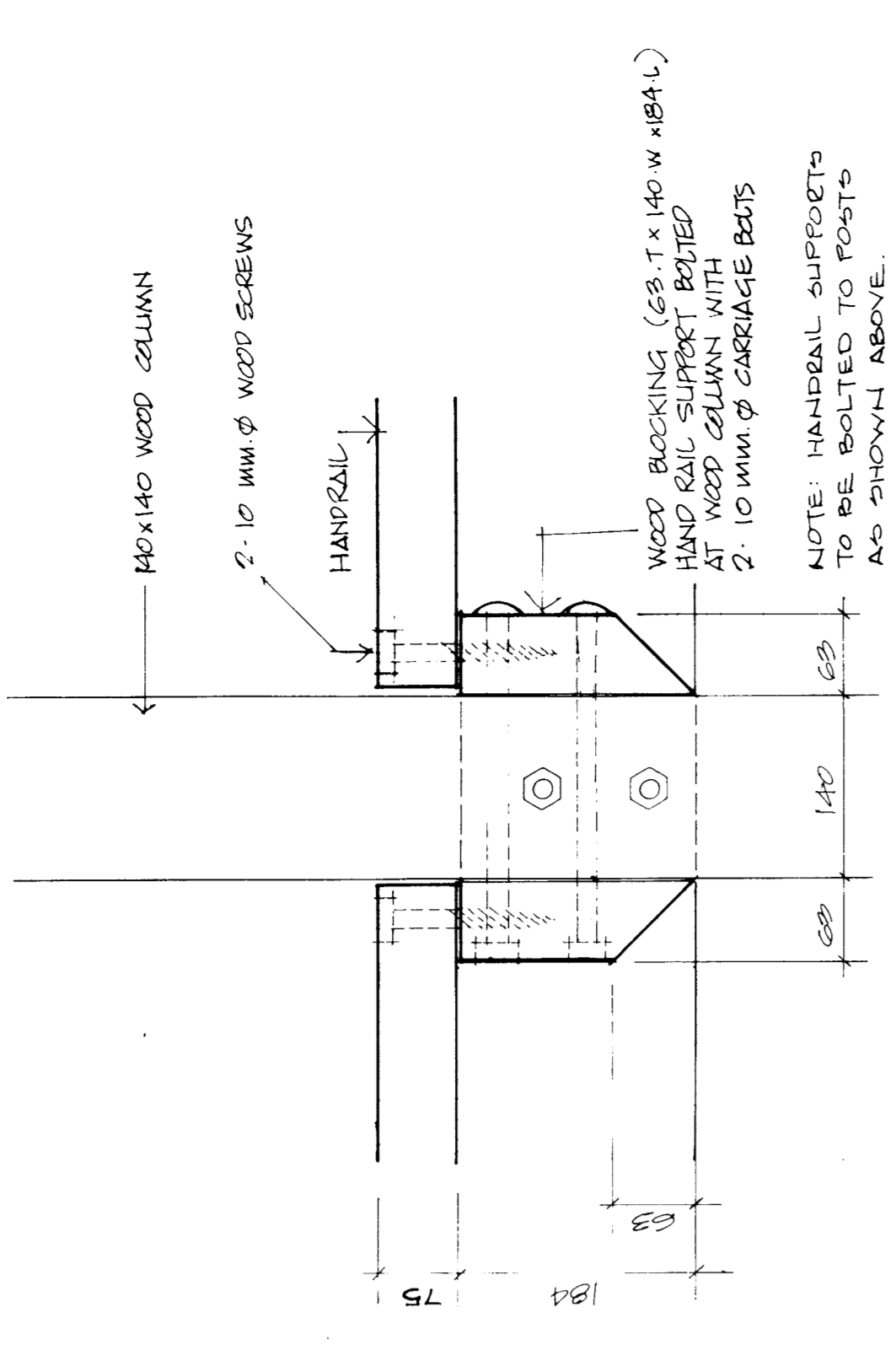
SECTION B-B
SCALE 1:20



ELEVATION 1
SCALE 1:50

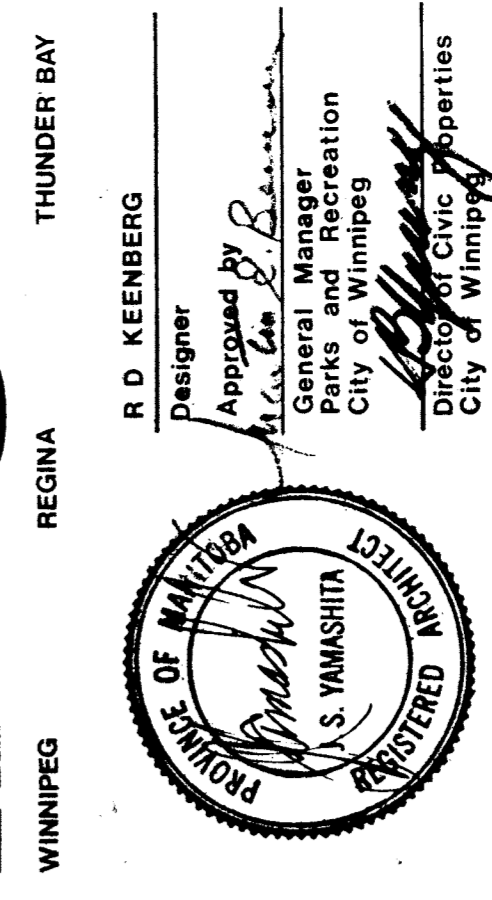


ELEVATION 2



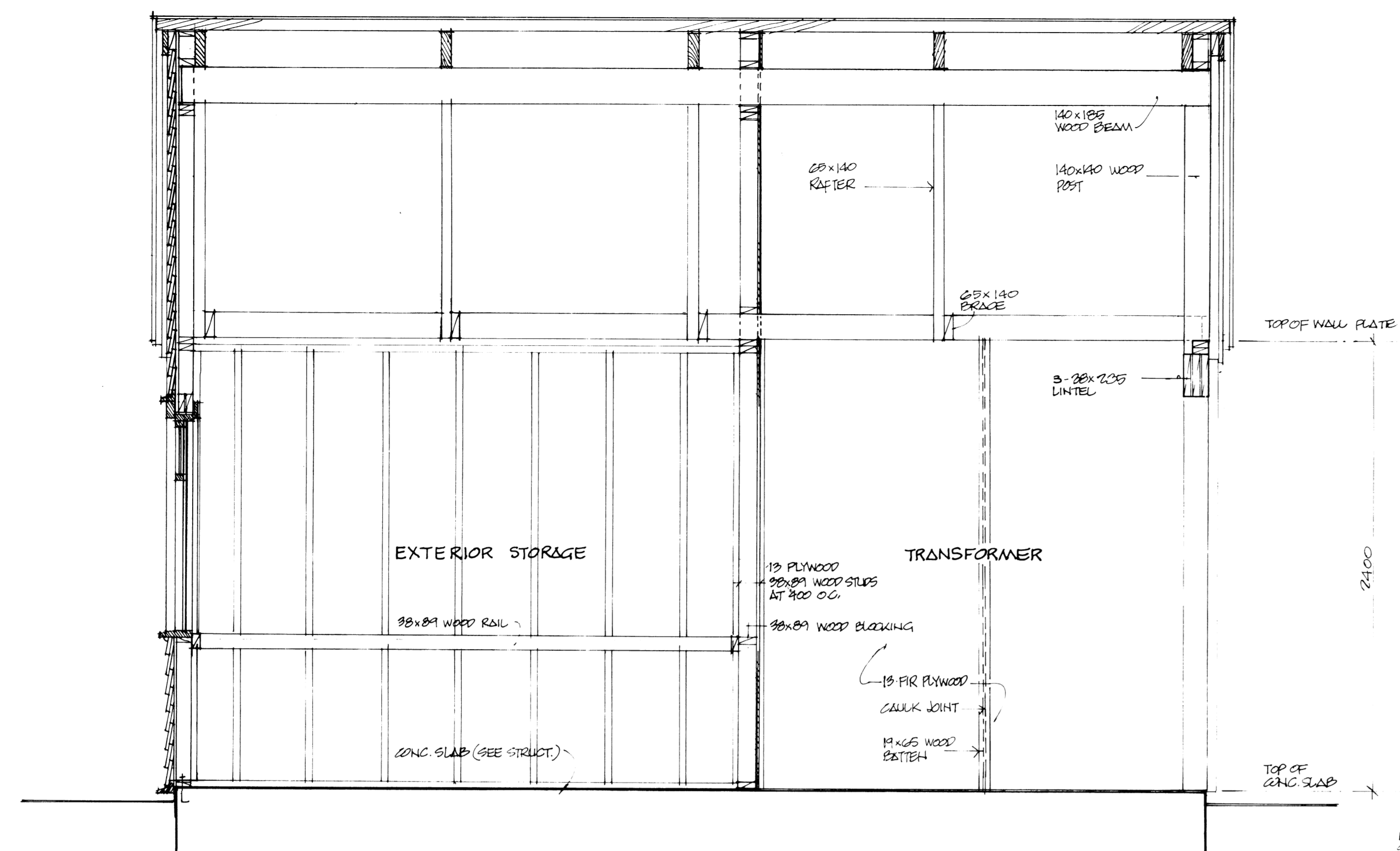
SCALE 1:5

IKOY
WINNIPEG REGINA THUNDER BAY

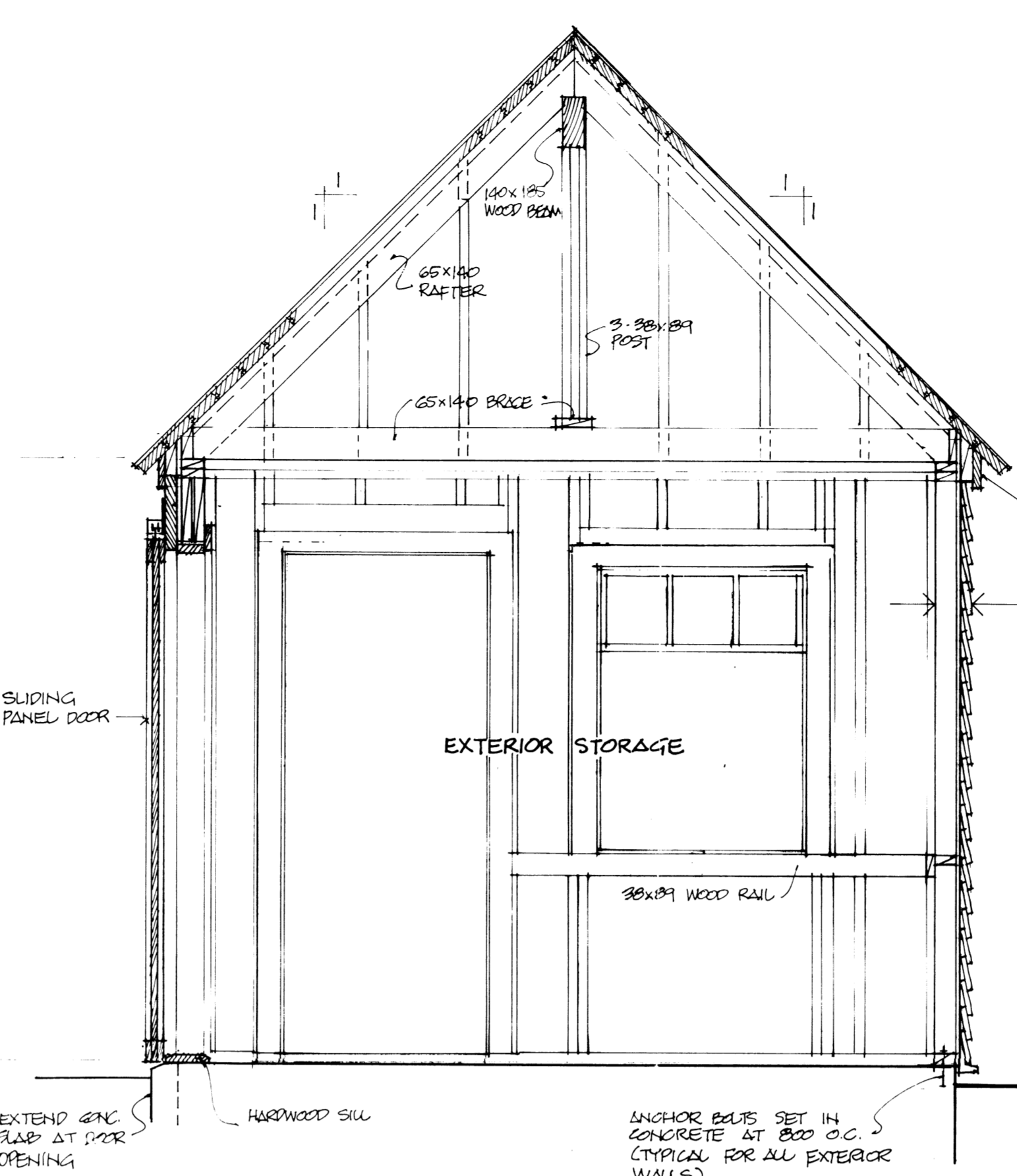


PROJECT: **NORTHEAST PARK RECREATION BUILDING**
FOR: **THE CITY OF WINNIPEG**
SHEET TITLE: **VIEWING SHELTERS & PLAN SECTIONS & ELEVATIONS**

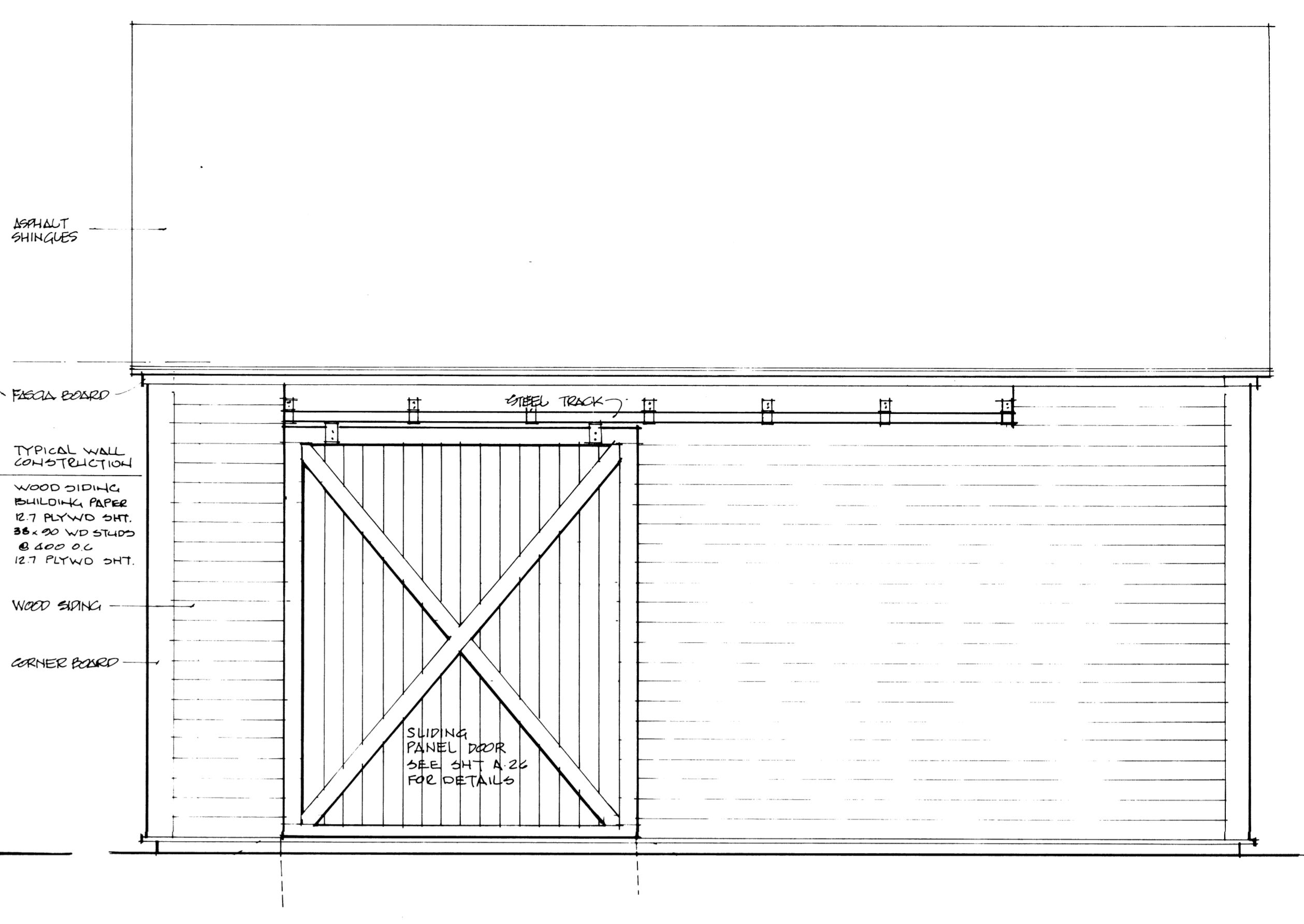
DATE: NOV 80
FILE: 80 07
DRAWN BY:
CHECKED:
SHEET NO: **A31**



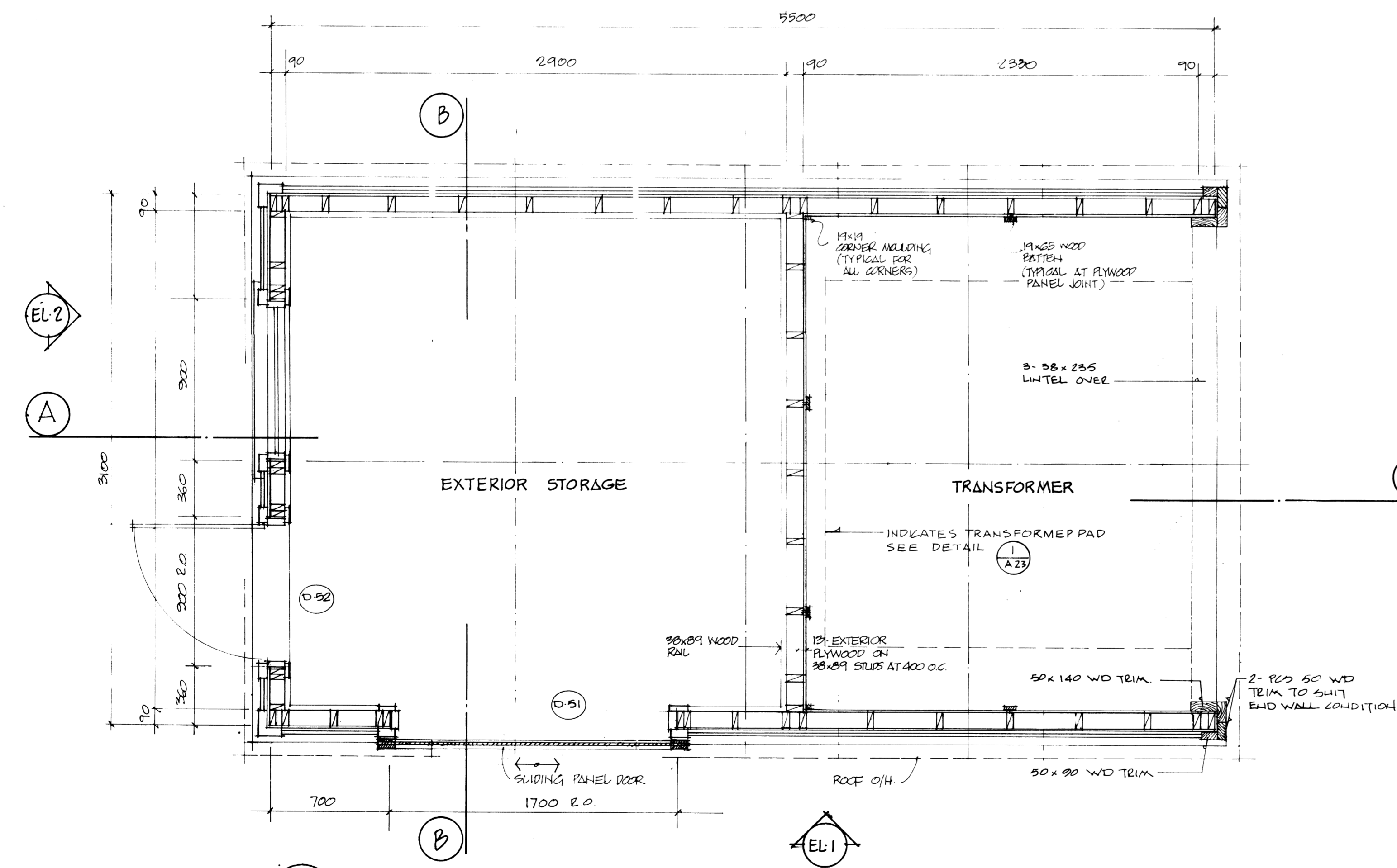
SECTION A-A
SCALE 1:20



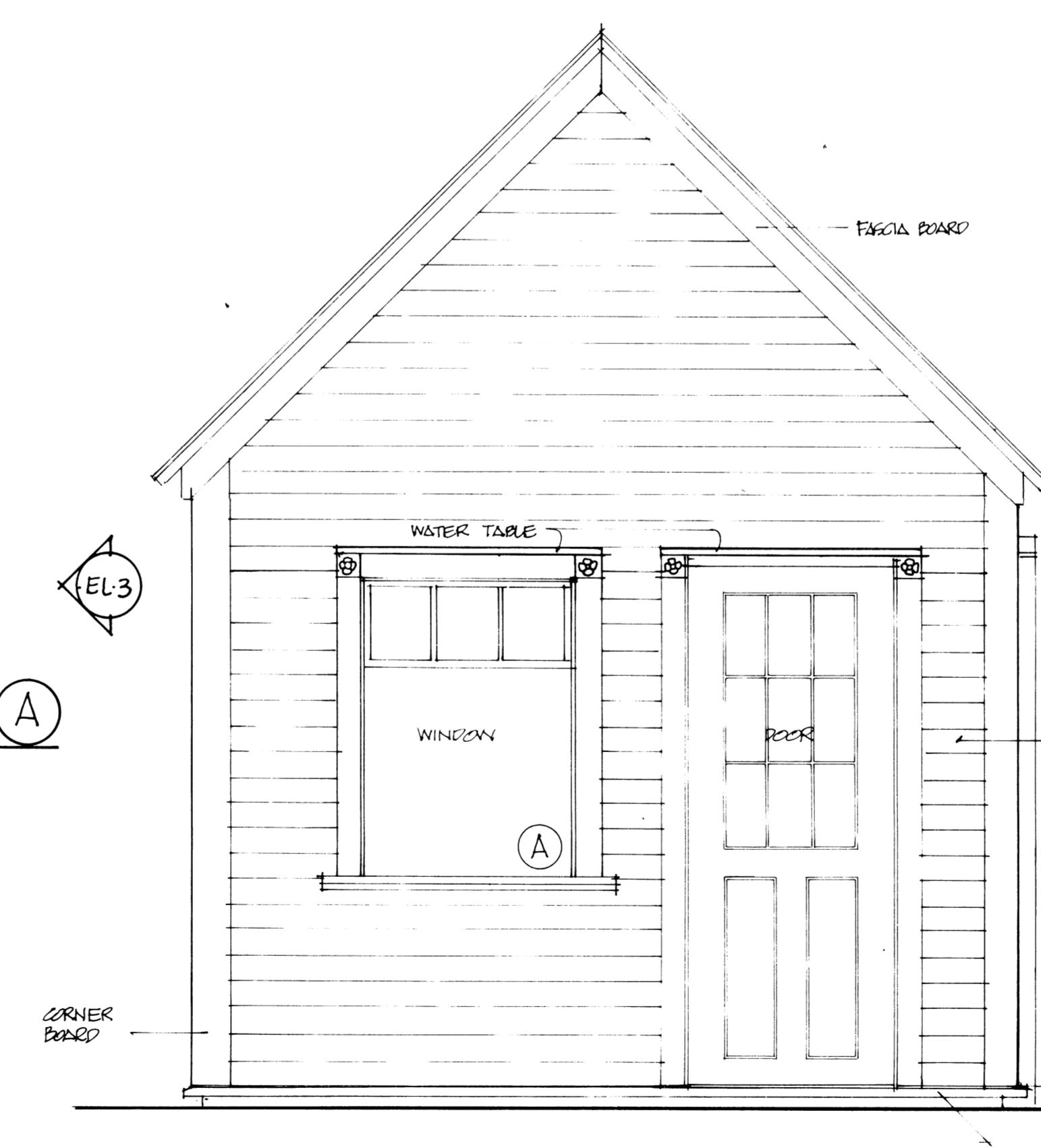
SECTION B-B
SCALE 1:20



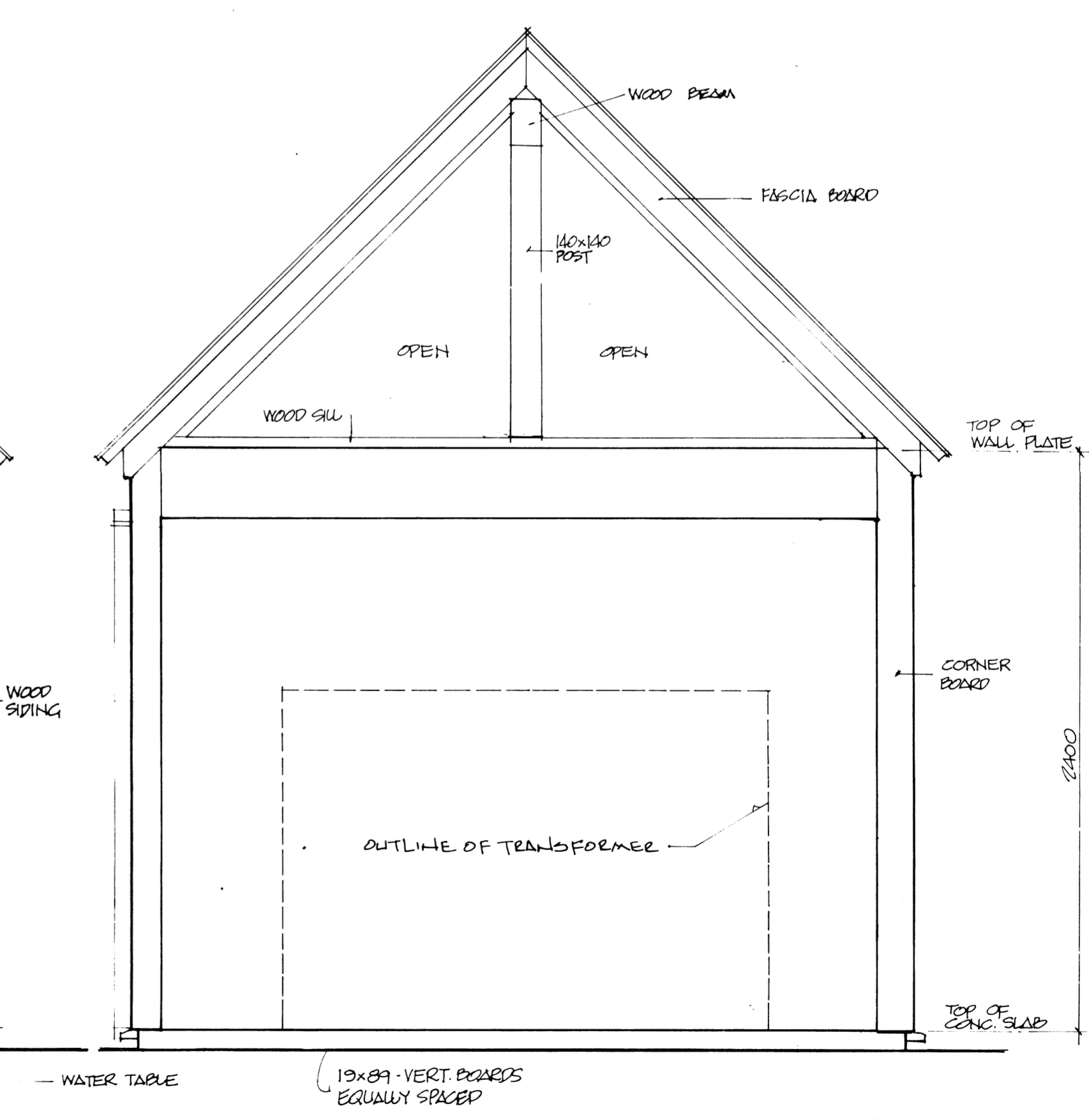
ELEV. 1
SCALE 1:20



FLOOR PLAN
SCALE 1:20



ELEV. 2
SCALE 1:20



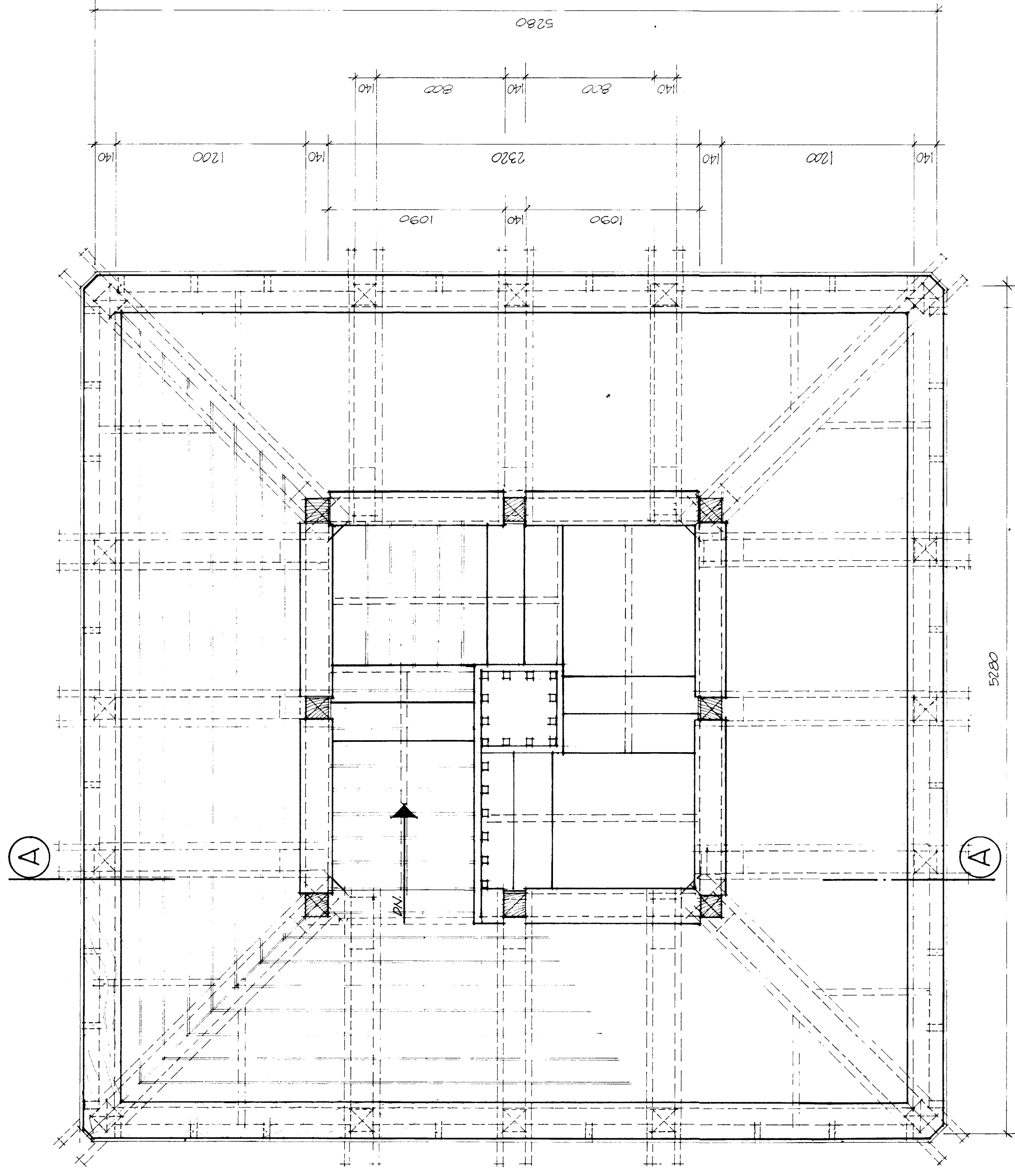
ELEV. 3
SCALE 1:20

KOY
WINNIPEG REGINA THUNDER BAY

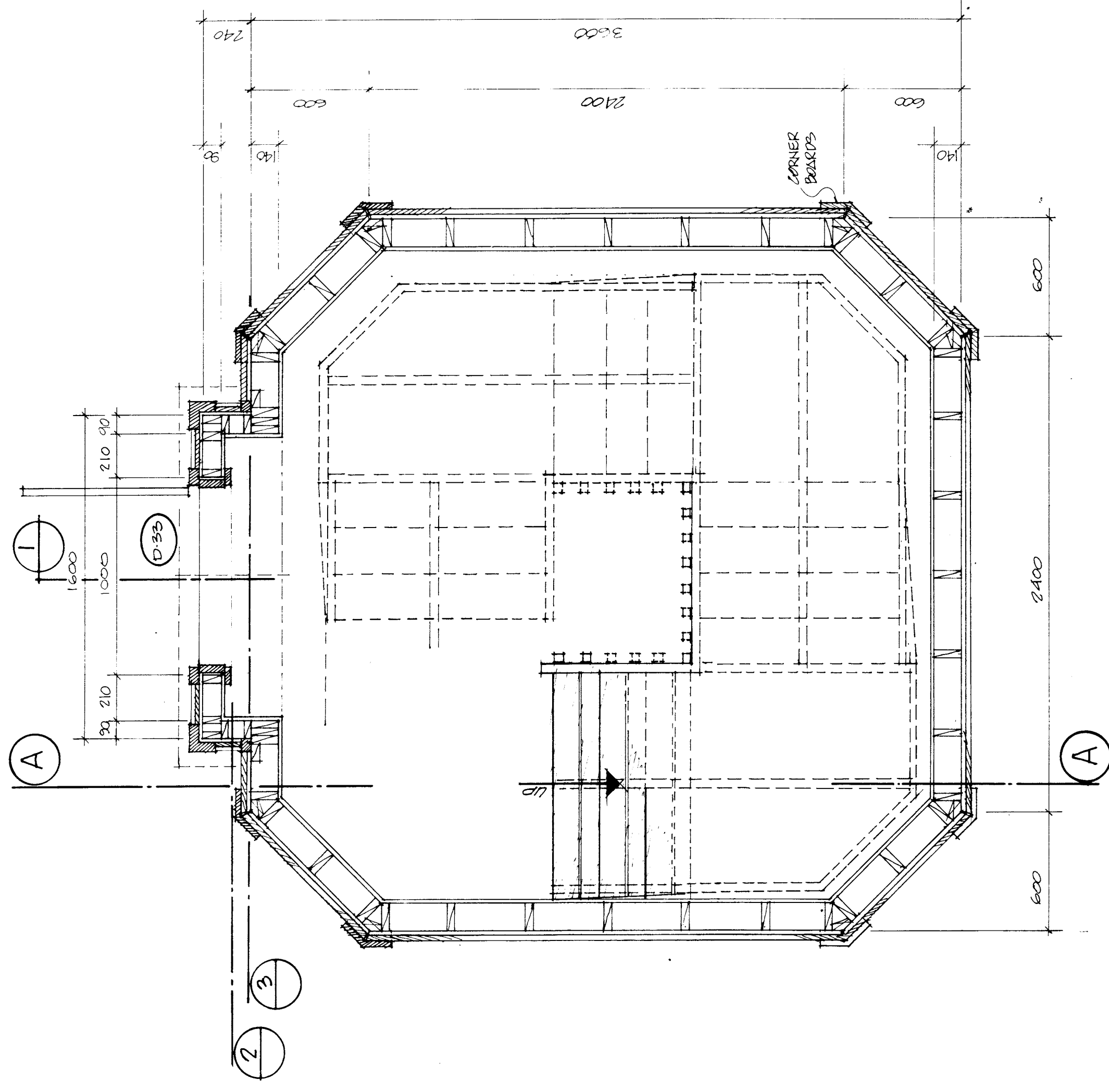
R D KEENBERG
Designer
Approved by
S. Yamashita
S. YAMASHITA
REGISTERED ARCHITECT
General Manager
Parks and Recreation
City of Winnipeg
Director of Civic Properties
City of Winnipeg

PROJECT
**NORTHEAST PARK
RECREATION BUILDING
FOR
THE CITY OF WINNIPEG**
SHEET TITLE
**STORAGE BUILDING &
TRANSFORMER ENCLOSURE**

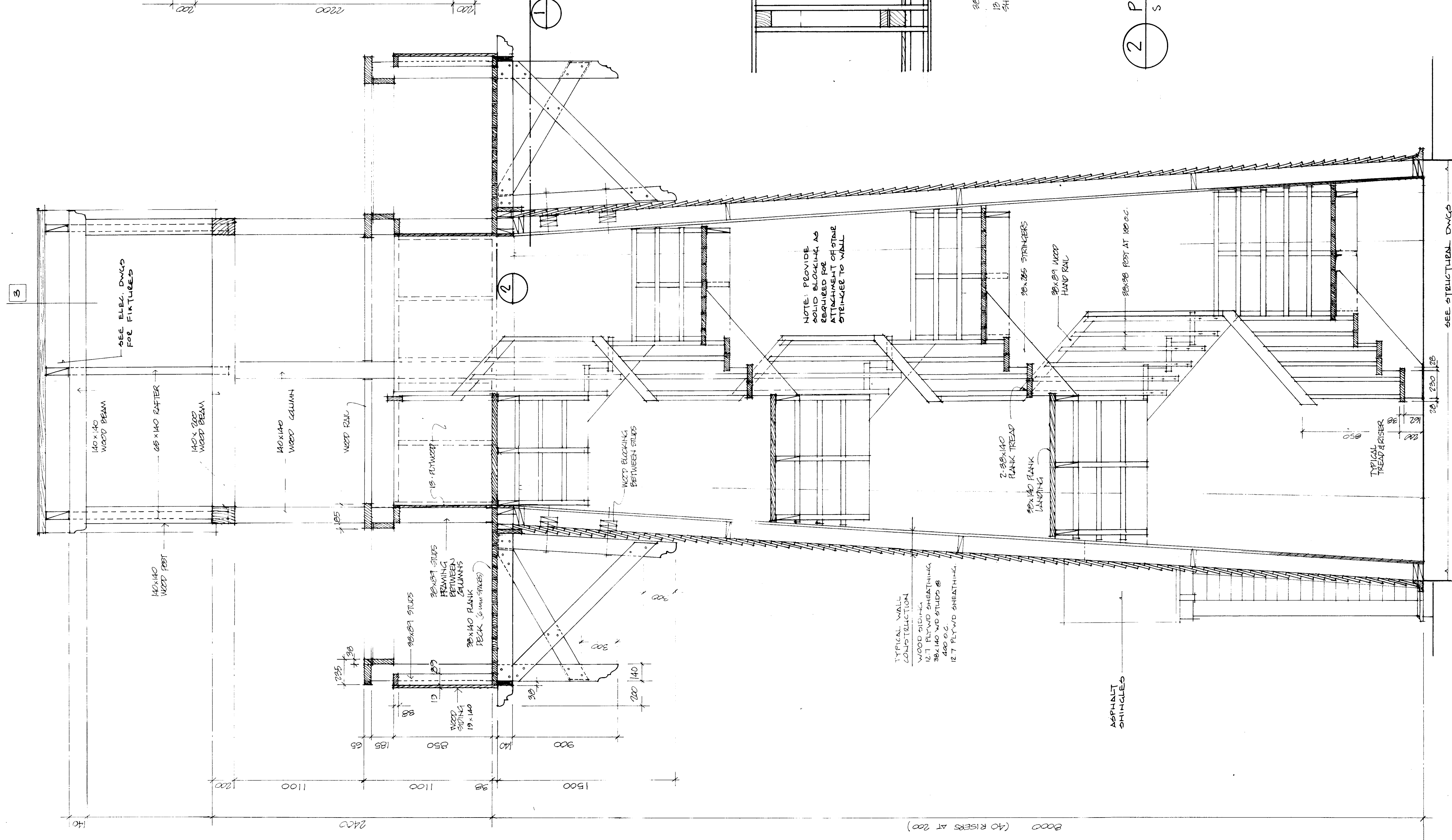
DRAWN BY
DATE
NOV 80
SHEET NO
FILE
80 107
A32



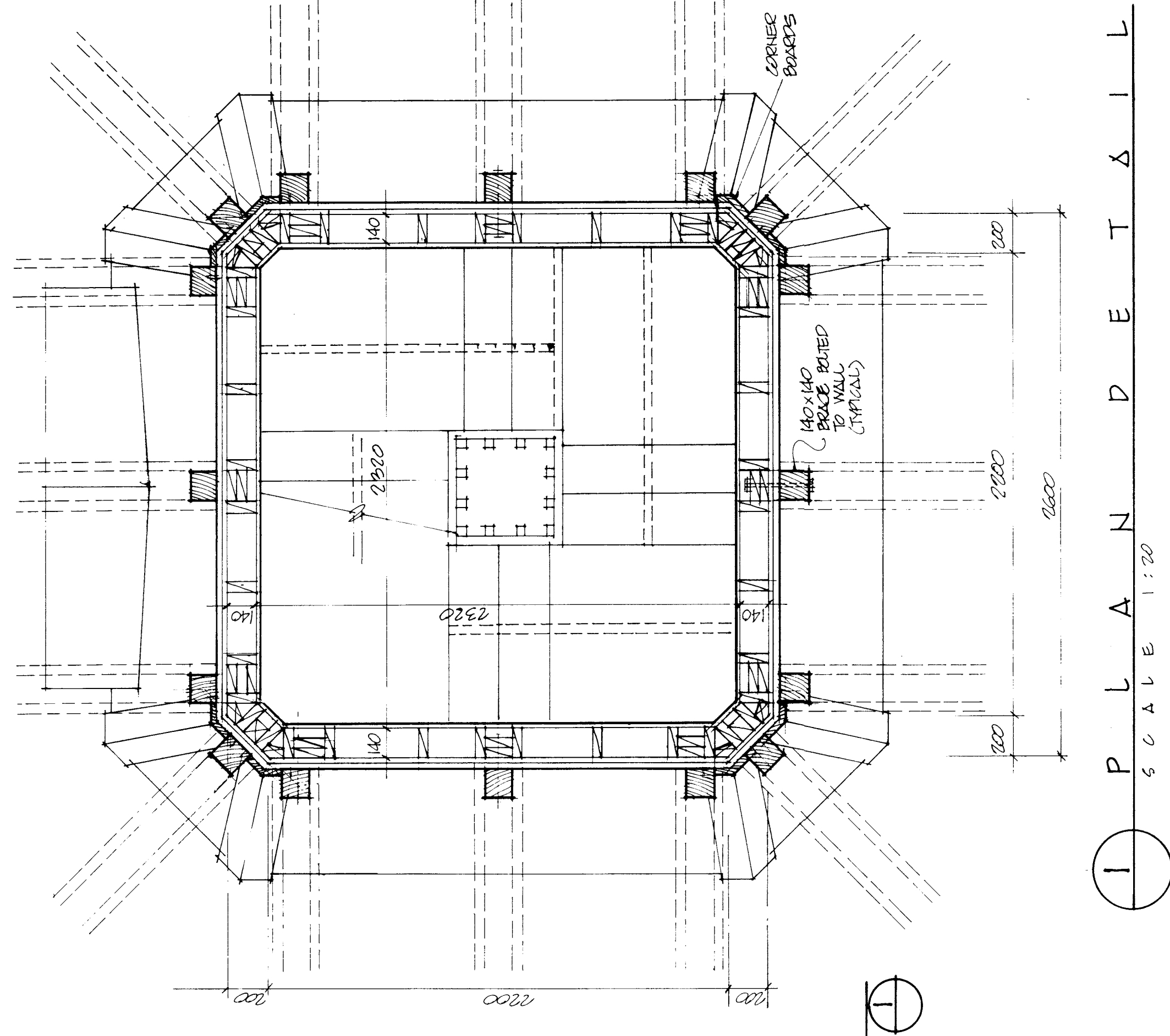
UPPER LEVEL FLOOR PLAN
SCALE 1:20



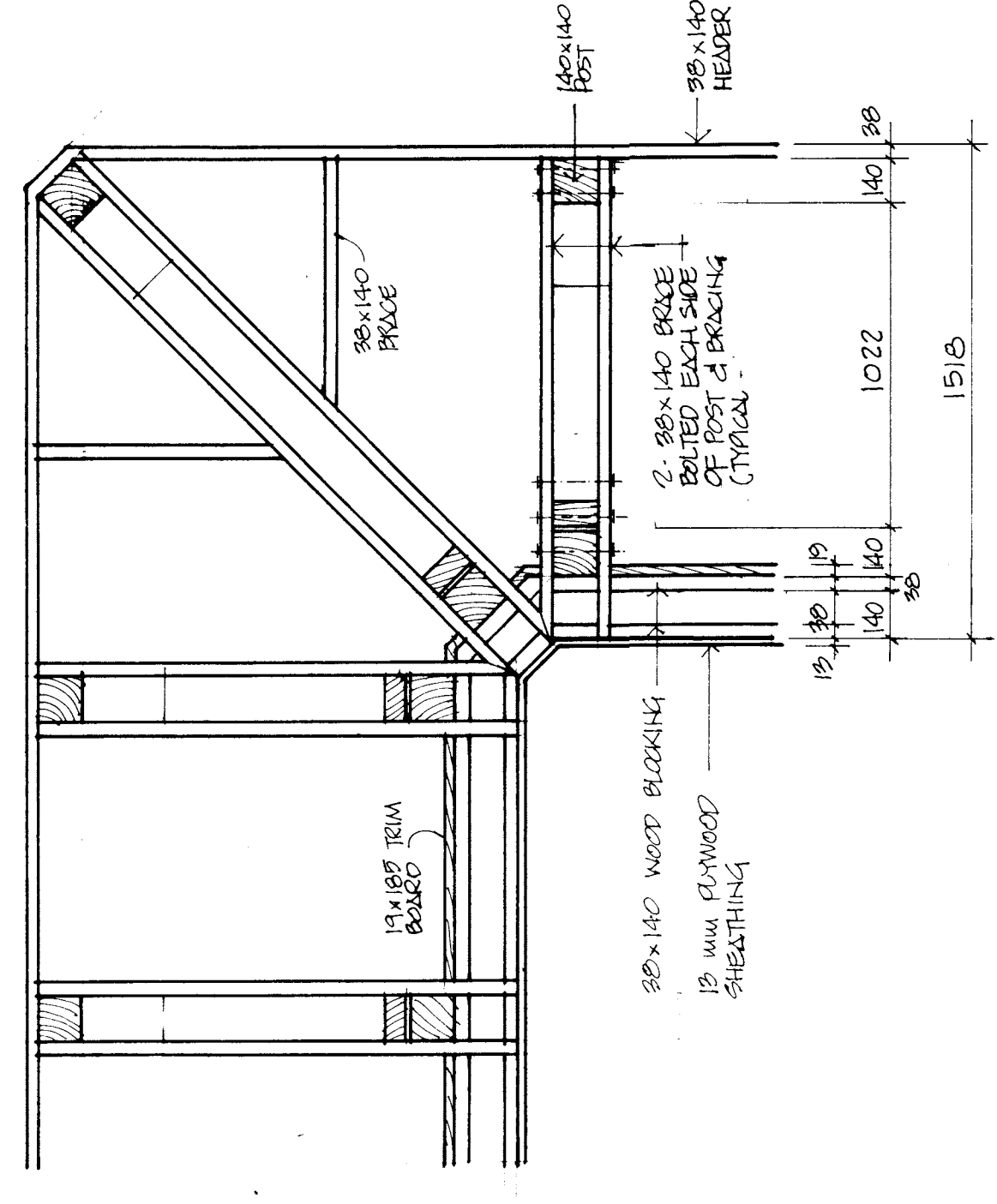
GROUND FLOOR PLAN
SCALE 1:20



SECTION AA
SCALE 1:20



PLAN 1
SCALE 1:20



PLAN 2
SCALE 1:20

IKOY
WINNIPEG REGINA THUNDER BAY

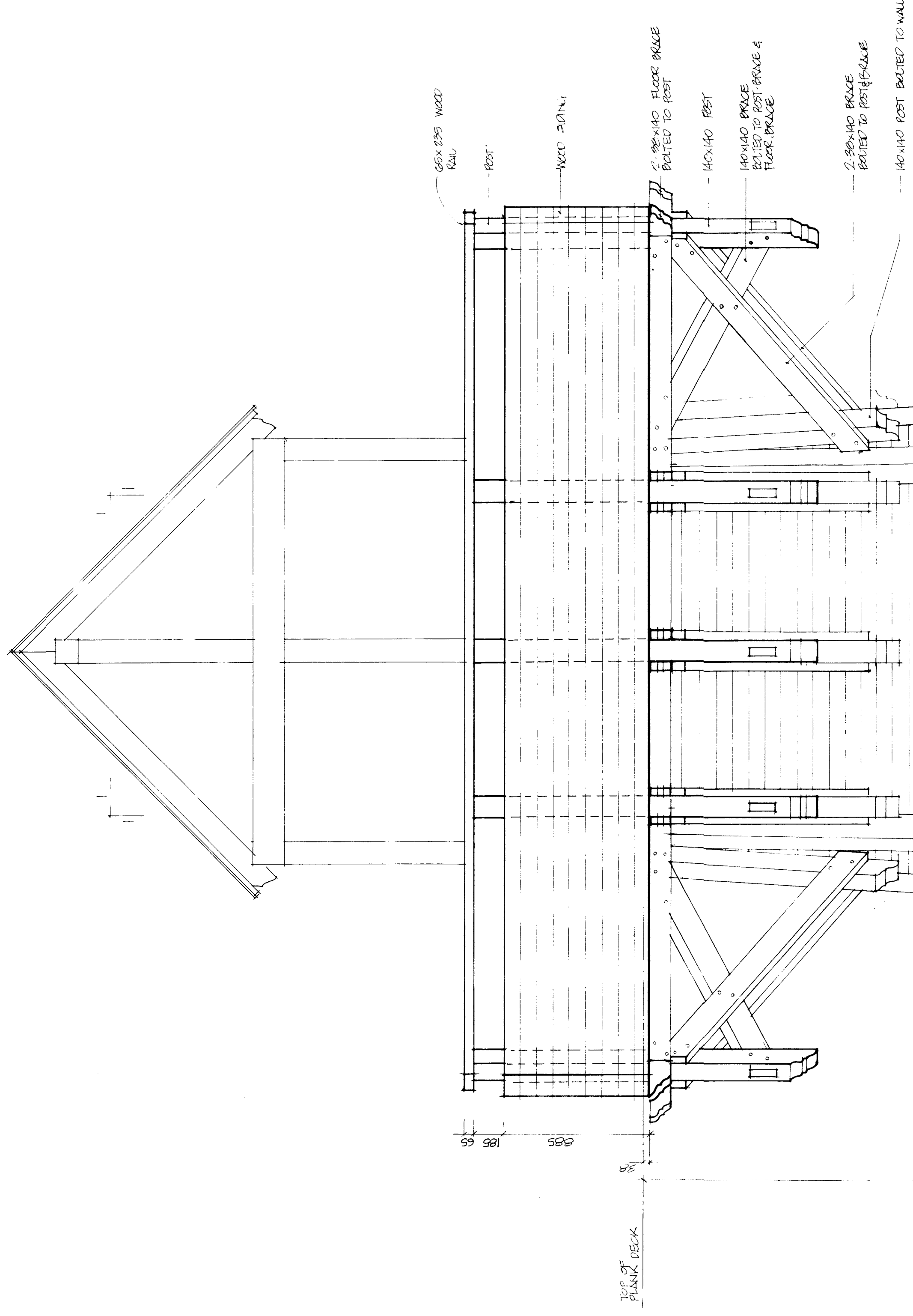


Approved by
General Manager
City of Winnipeg
Director of Engineering

PROJECT
NORTHEAST PARK RECREATION BUILDING
FOR
THE CITY OF WINNIPEG
SHEET TITLE
TOWER - PLAN BUILDING SECTION & PLAN DETAILS

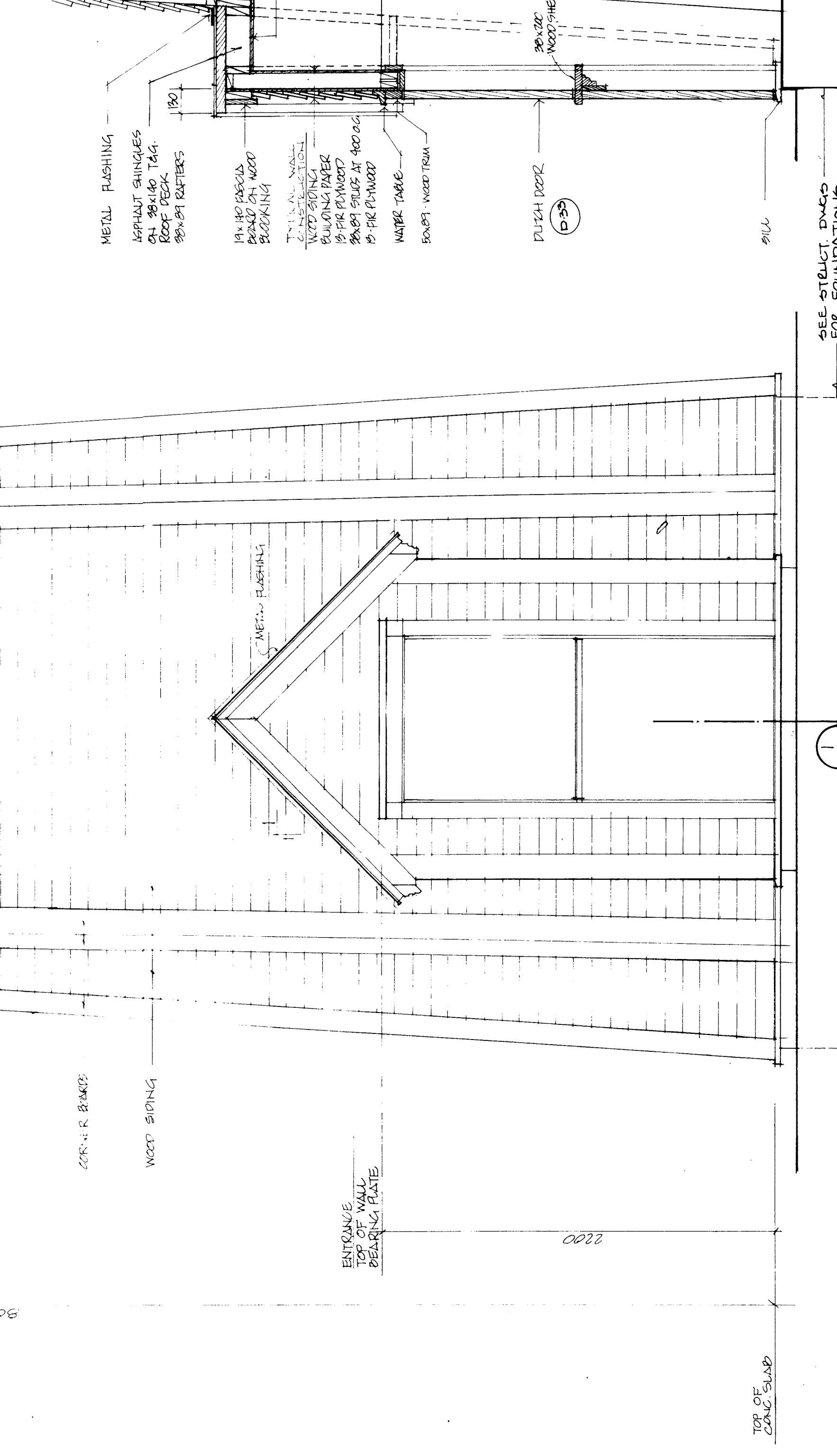
DRAWN BY
DATE
NOV 80
CHECKED
FILE
80107

SHEET NO
A33

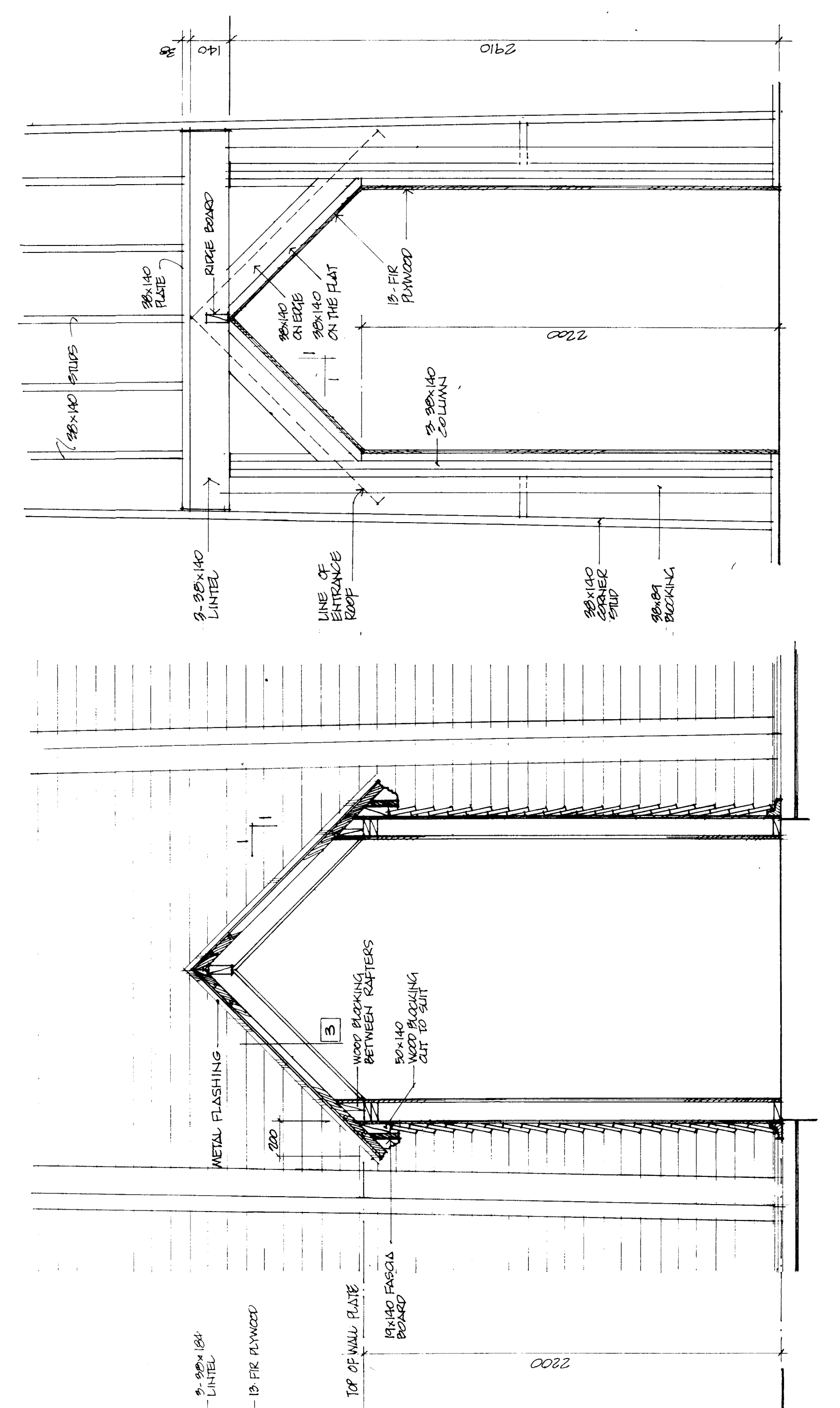


2" ROUND BRONZE BRACKET TO PER FLANGE

ROUNDED ROOF RAISED TO WALL



SEE DETAIL DWG FOR FOUNDATIONS



SEE DETAIL DWG FOR FOUNDATIONS

FRONT ELEVATION 1:20
SECTION 1:20
ENTRANCE FRAMING DETAIL 1:20

I KOY
WINNIPEG REGINA THUNDER BAY

DESIGNER
R. O. KEENBERG

APPROVED BY
General Manager
City of Winnipeg
Director of Civic Properties

PROJECT
NORTHEAST PARK
RECREATION BUILDING
FOR
THE CITY OF WINNIPEG

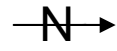
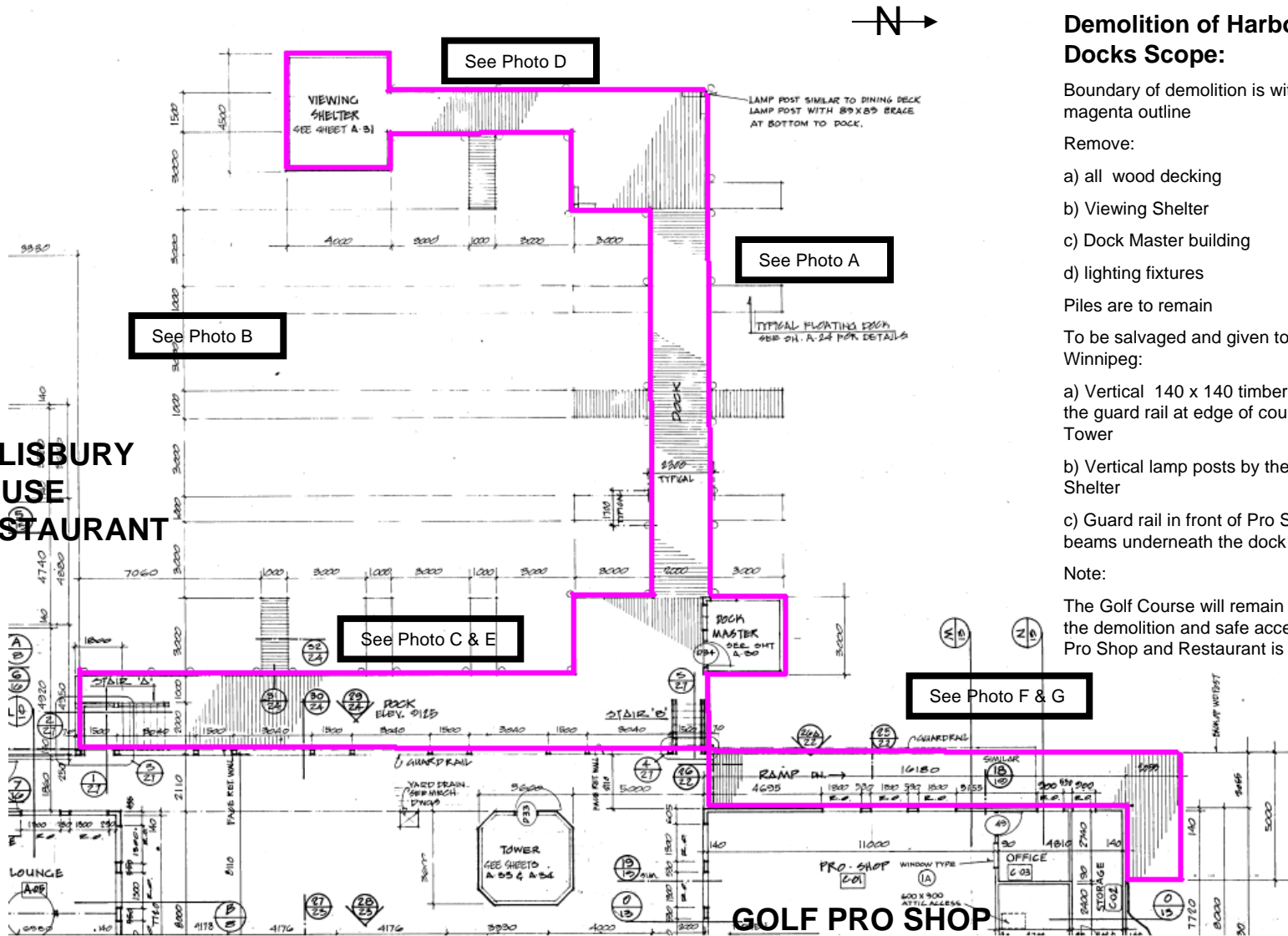
SHEET TITLE
TOWER ELEVATION &
DETAILS

DRAWN BY
NOV 00

CHECKED
80 07

SHEET NO
A34

SALISBURY HOUSE RESTAURANT



Demolition of Harbour View Docks Scope:

Boundary of demolition is within the magenta outline

Remove:

- a) all wood decking
- b) Viewing Shelter
- c) Dock Master building
- d) lighting fixtures

Piles are to remain

To be salvaged and given to the City of Winnipeg:

- a) Vertical 140 x 140 timber posts along the guard rail at edge of courtyard by the Tower
- b) Vertical lamp posts by the Viewing Shelter
- c) Guard rail in front of Pro Shop and beams underneath the dock

Note:

The Golf Course will remain open during the demolition and safe access to the Pro Shop and Restaurant is required

The City of Winnipeg
 Planning, Property and Development Dept
 Municipal Accommodations Division
 3 – 65 Garry Street
 Winnipeg, Manitoba R3C 4K4

Project No. 2010-388
 Project: Demolition of Docks at Harbour View Recreation Complex
 Address: 1867 Springfield Road, Winnipeg, Manitoba R3C 2Z2
 Scale: Not to Scale
 Date: August 2, 2011



Site Plan
 A-1