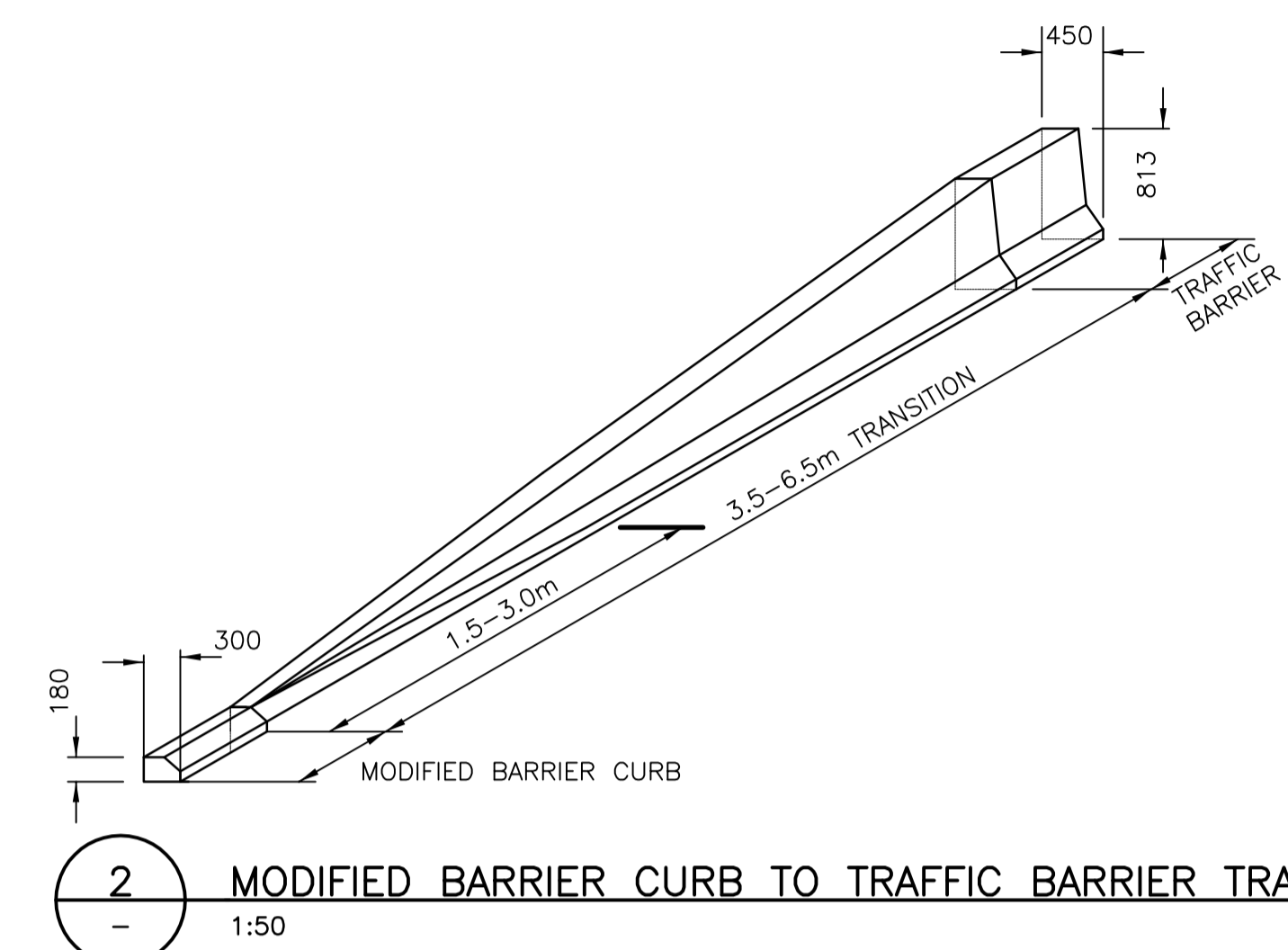
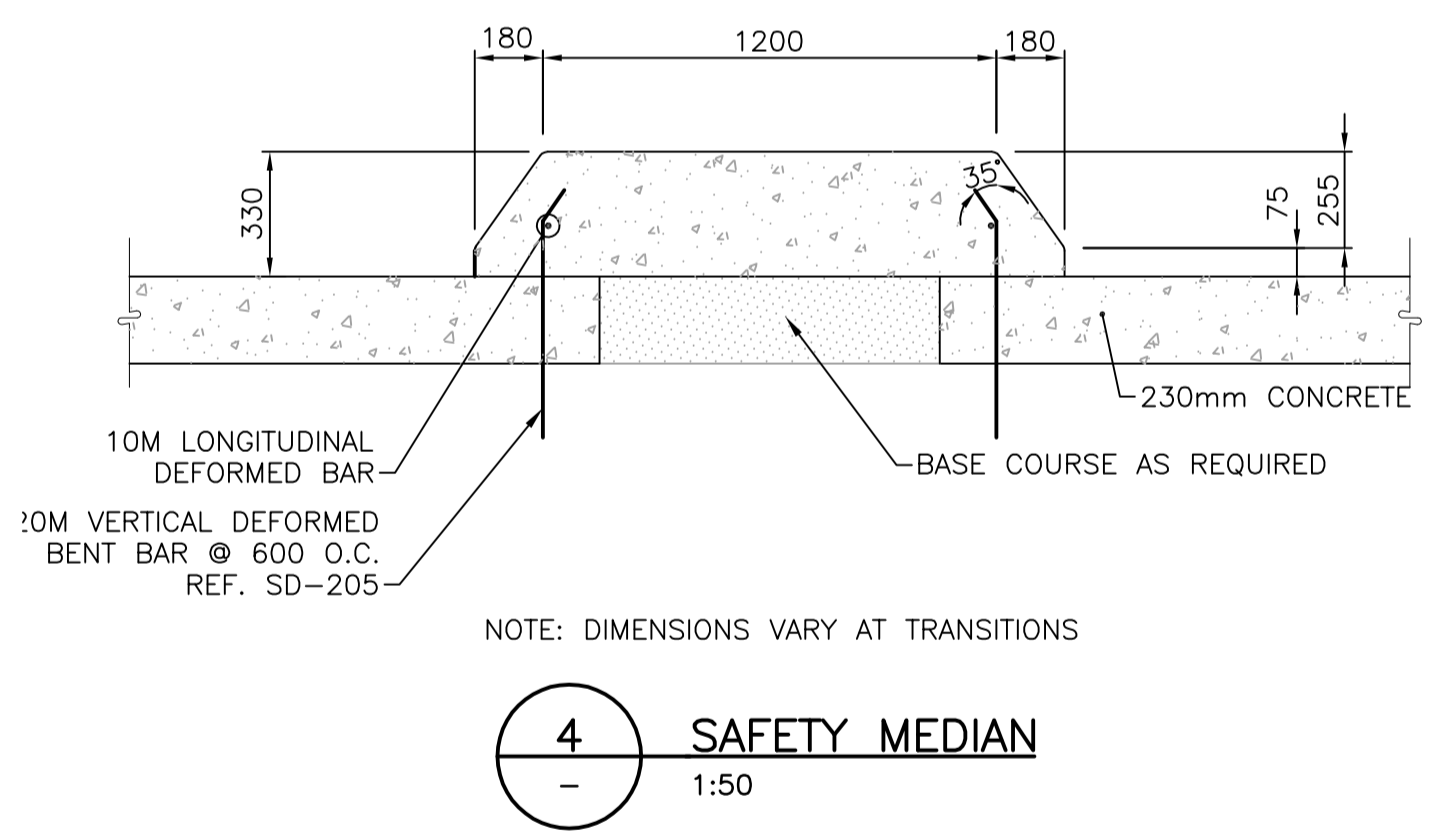


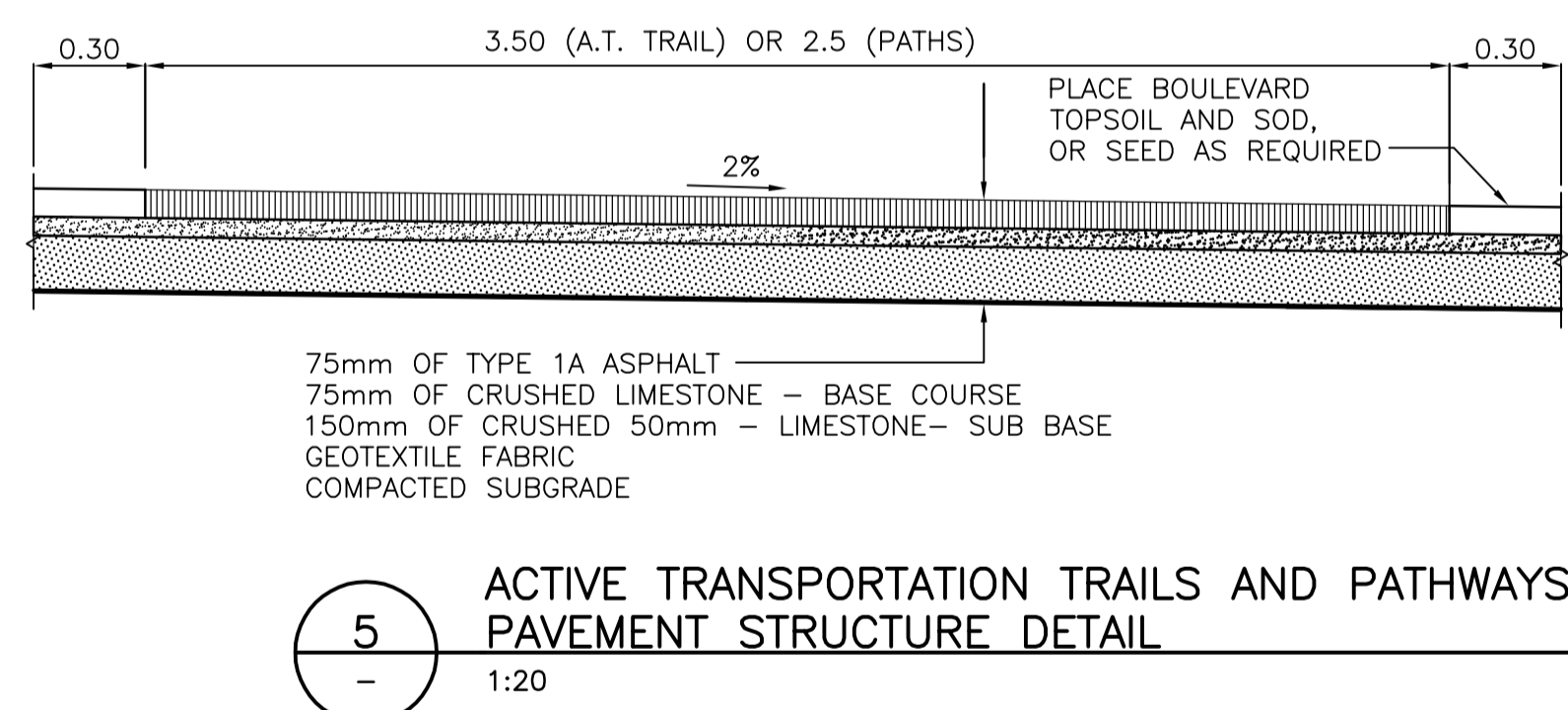
1 BARRIER CURB TO TRAFFIC BARRIER TRANSITION
1:50



2 MODIFIED BARRIER CURB TO TRAFFIC BARRIER TRANSITION
1:50



4 SAFETY MEDIAN
1:50



5 ACTIVE TRANSPORTATION TRAILS AND PATHWAYS PAVEMENT STRUCTURE DETAIL
1:20

METRIC
WHOLE NUMBERS INDICATE MILLIMETRES
DECIMALIZED NUMBERS INDICATE METRES

LOCATION APPROVED UNDERGROUND STRUCTURES

SUPV. U/G STRUCTURES COMMITTEE DATE

NOTE:
LOCATION OF UNDERGROUND STRUCTURES AS SHOWN ARE BASED ON THE BEST INFORMATION AVAILABLE BUT NO GUARANTEE IS GIVEN THAT ALL EXISTING UTILITIES ARE SHOWN OR THAT THE GIVEN LOCATIONS ARE EXACT. CONFIRMATION OF EXISTENCE AND EXACT LOCATION OF ALL SERVICES MUST BE OBTAINED FROM THE INDIVIDUAL UTILITIES BEFORE PROCEEDING WITH CONSTRUCTION.

B.M. ELEV.	NO.	REVISIONS	DATE	BY
	0	ISSUED FOR TENDER	11.12.15	V.M.M.

Stantec Consulting Ltd.
100-1355 Taylor Ave., Winnipeg, Manitoba
Tel 204-928-8840 Fax 204-284-4795

DESIGNED BY: V.M.M.	CHECKED BY: R.P.K.
DRAWN BY: T.G.	APPROVED BY: V.M.M.
HOR. SCALE: AS NOTED	RELEASED FOR CONSTRUCTION: DATE
VERTICAL: DATE 10.10.20	DATE

ENGINEER'S SEAL

CONSULTANT DRAWING NO.
C-501

THE CITY OF WINNIPEG
PUBLIC WORKS DEPARTMENT
ENGINEERING DIVISION

STURGEON ROAD
BRIDGE REPLACEMENT
PORTAGE AVENUE TO HALLONQUIST DRIVE
MISCELLANEOUS ROAD DETAILS

SHEET 79 OF 82
CAD FILE DRAWING NUMBER 31590c-501-767.dwg
CITY DRAWING NUMBER P-3331-17

V:\137\winnipeg\13786940\sturgeongr\work\31590c-501-767.dwg
 2015-08-26 10:22 AM