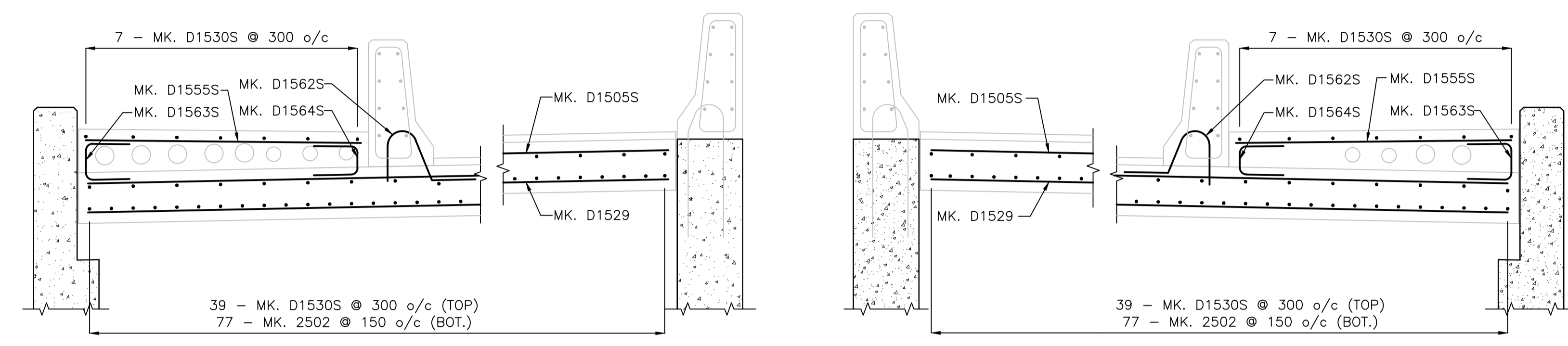
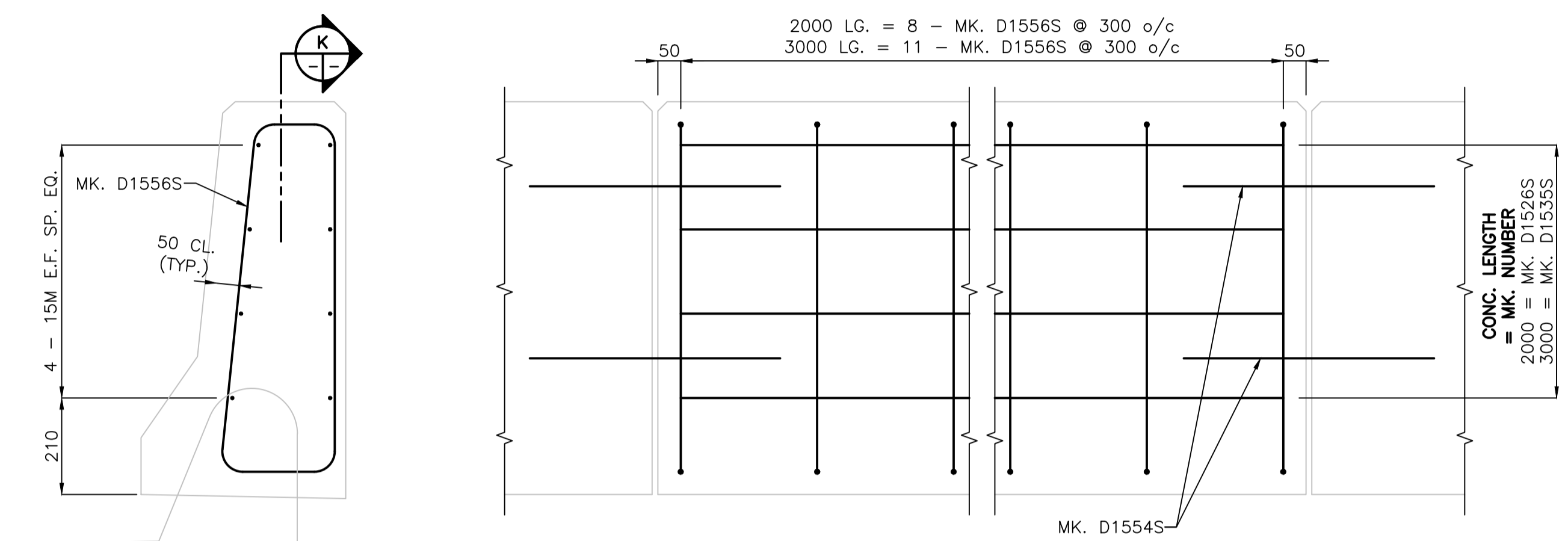


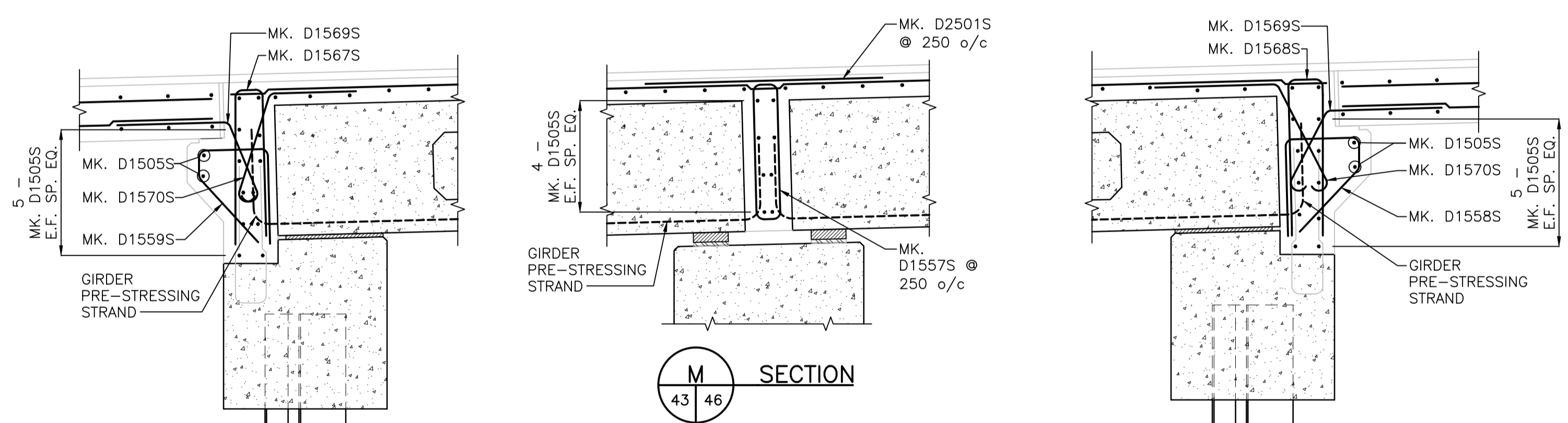
A SECTION **B SECTION** **C SECTION** **D SECTION** **E SECTION**



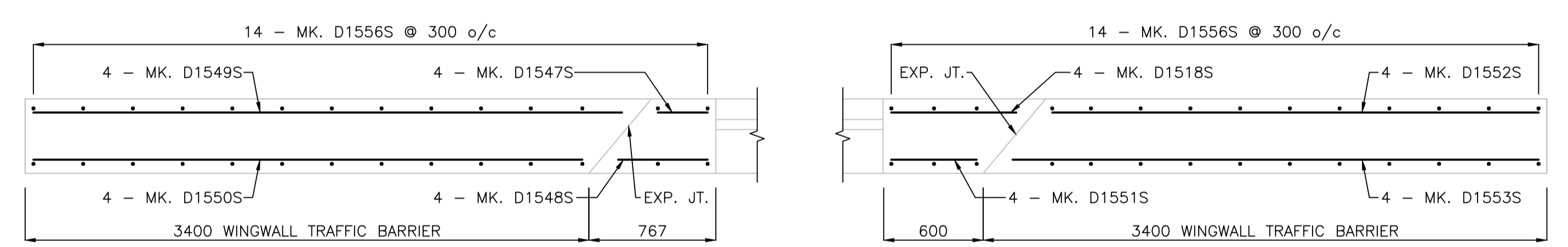
F SECTION **G SECTION** **H SECTION** **J SECTION**



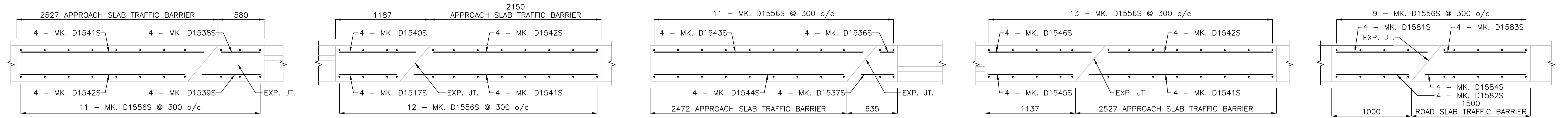
TYPICAL TRAFFIC BARRIER 1:10 **K SECTION** 1:10



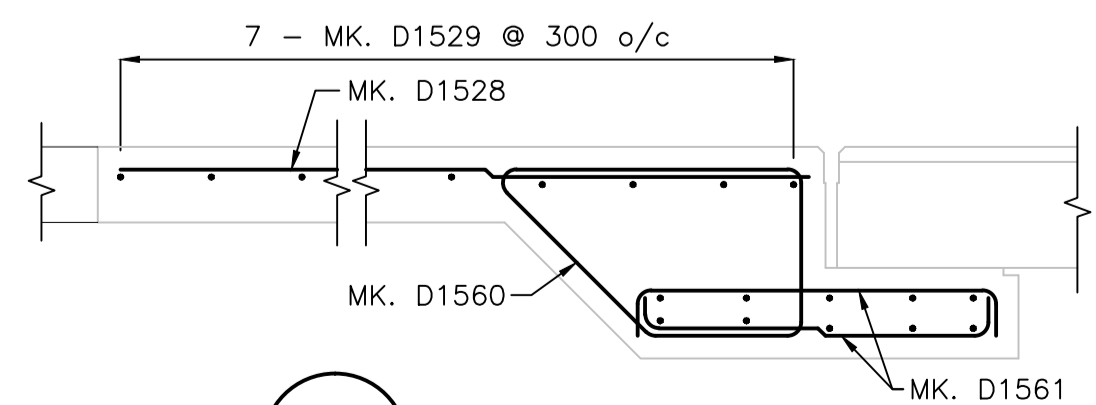
L SECTION **M SECTION** **N SECTION**



1 DETAIL **2 DETAIL**



3 DETAIL **4 DETAIL** **5 DETAIL** **6 DETAIL** **7 DETAIL**



P SECTION



METRIC
WHOLE NUMBERS INDICATE MILLIMETRES
DECIMALIZED NUMBERS INDICATE METRES

LOCATION APPROVED UNDERGROUND STRUCTURES
B.M. ELEV. _____
SUPV. U/G STRUCTURES COMMITTEE DATE _____
NOTE: LOCATION OF UNDERGROUND STRUCTURES AS SHOWN ARE BASED ON THE BEST INFORMATION AVAILABLE BUT NO GUARANTEE IS GIVEN THAT ALL EXISTING UTILITIES ARE SHOWN OR THAT THE GIVEN LOCATIONS ARE EXACT. CONFIRMATION OF EXISTENCE AND EXACT LOCATION OF ALL SERVICES MUST BE OBTAINED FROM THE INDIVIDUAL UTILITIES BEFORE PROCEEDING WITH CONSTRUCTION.

NO.	REVISIONS	DATE	BY
0	ISSUED FOR TENDER	11.12.15	K.S.A.

Stantec Consulting Ltd.
905 Waverley Street, Winnipeg, Manitoba
Tel 204-489-5900 Fax 204-453-9012

DESIGNED BY	K.S.A.	CHECKED BY	K.S.A.
DRAWN BY	J.M.B.	APPROVED BY	B.J.W.
HOR. SCALE:	1:25	RELEASED FOR CONSTRUCTION:	
VERTICAL:	U.N.O.	DATE	DEC. 15, 2011

ENGINEER'S SEAL
CONSULTANT DRAWING NO. S-608

THE CITY OF WINNIPEG
PUBLIC WORKS DEPARTMENT
ENGINEERING DIVISION

STURGEON ROAD
BRIDGE REPLACEMENT
PORTAGE AVENUE TO HALLONQUIST DRIVE
REINFORCING DETAILS
DECK, APPROACH & REINFORCED ROAD SLAB

SHEET **46** OF **82**
CAD FILE DRAWING NUMBER 31590s-605-767.dwg
CITY DRAWING NUMBER B120-12-046

V:\1137\1590\drawing\402_design\sheet_files\2011-11-12_tender_issue\31590s-605-767.dwg Date: 2011 Dec 20 4:08pm Login: Beernorts, James