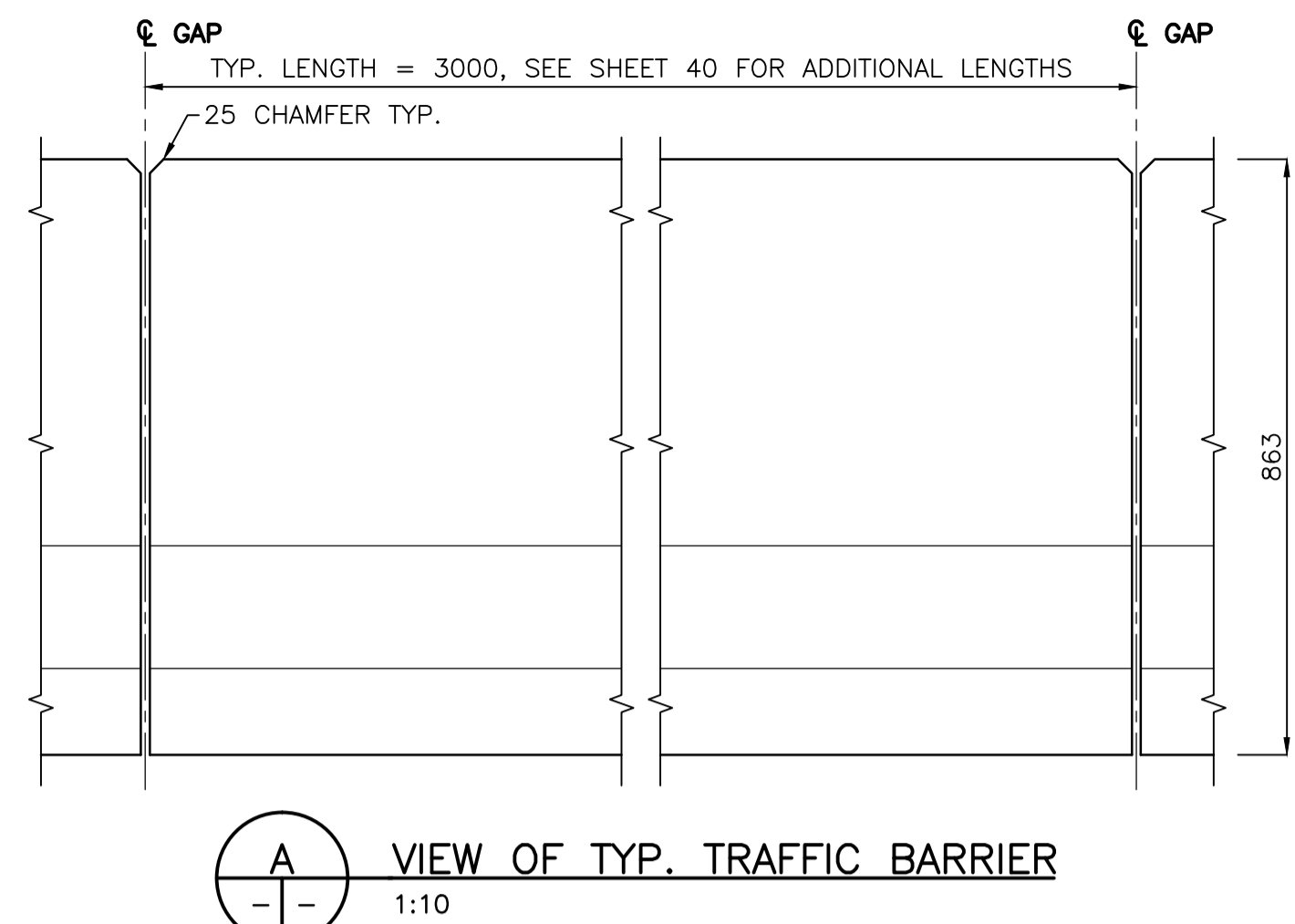
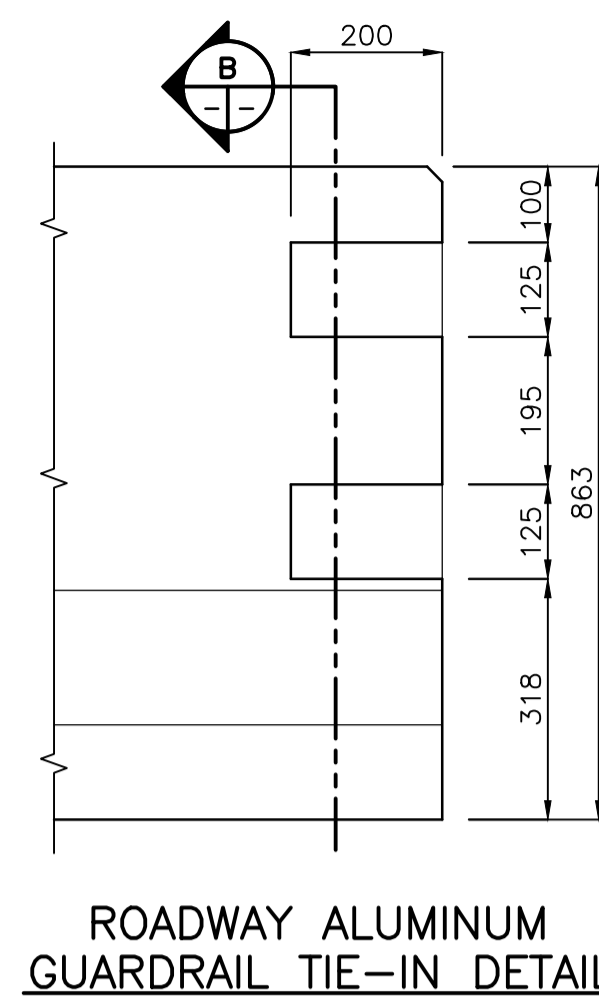


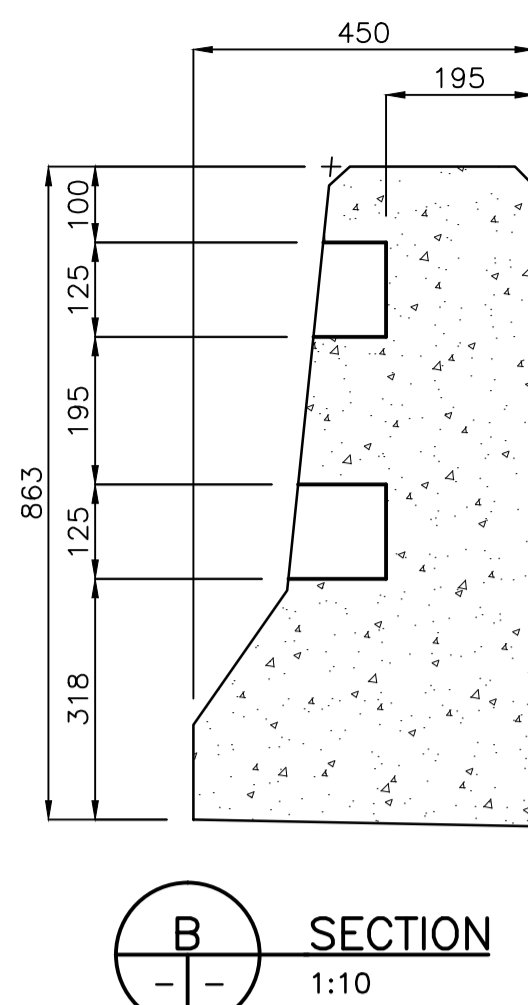
TYPICAL TRAFFIC BARRIER  
1:10



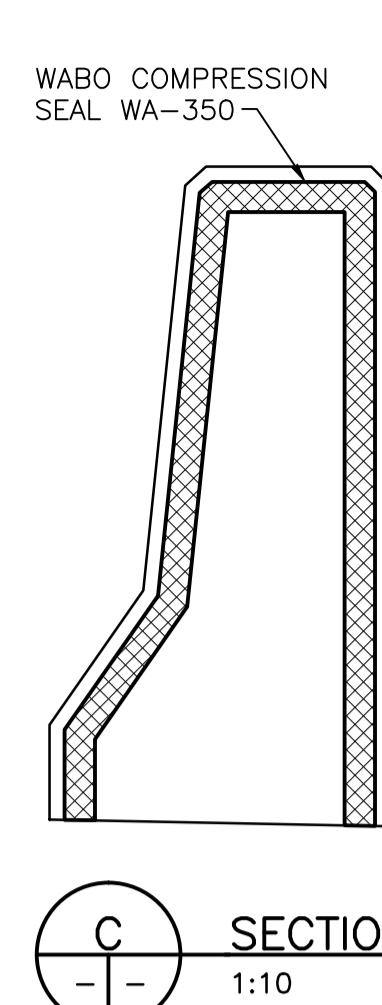
A VIEW OF TYP. TRAFFIC BARRIER  
1:10



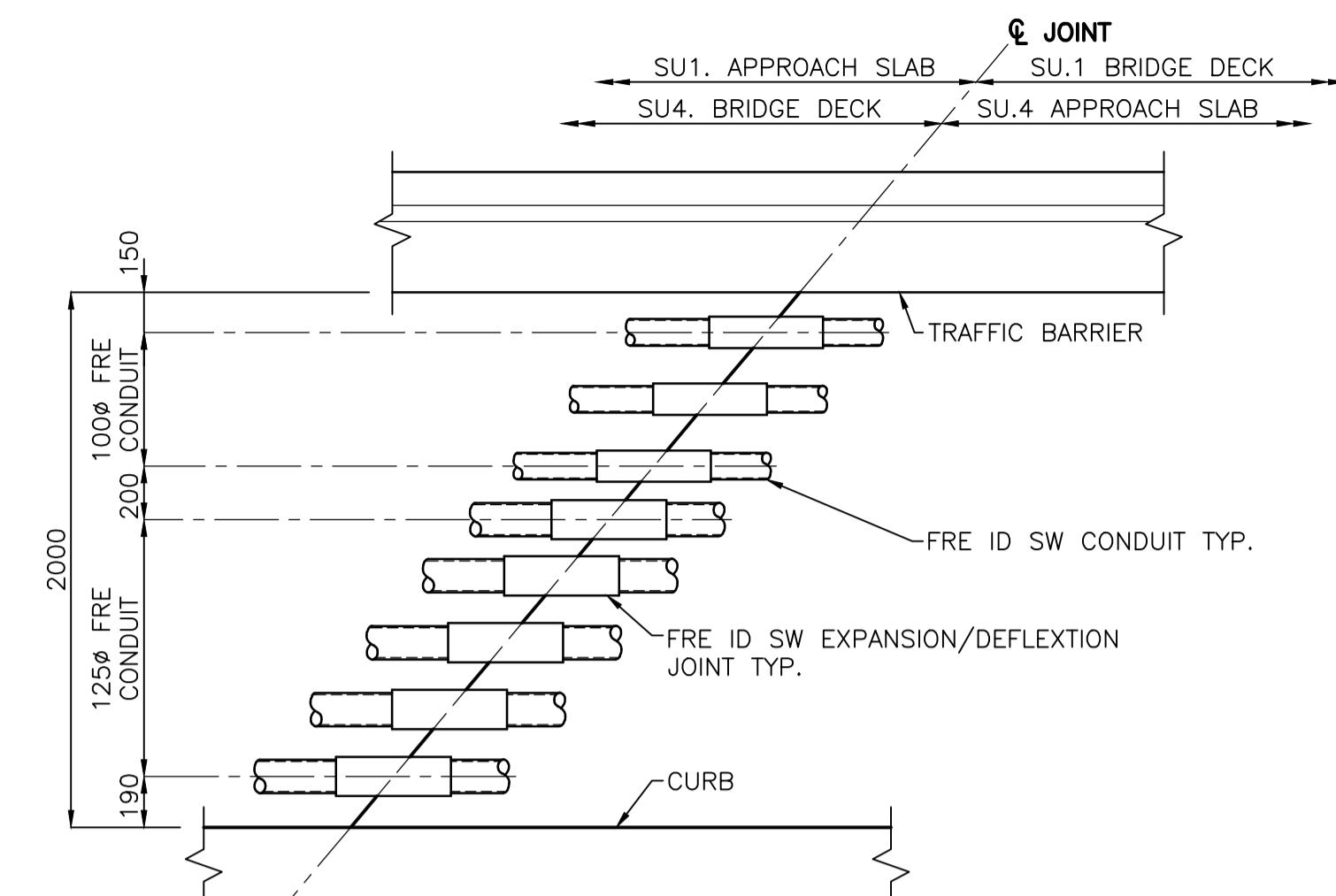
ROADWAY ALUMINUM  
GUARDRAIL TIE-IN DETAIL  
1:10



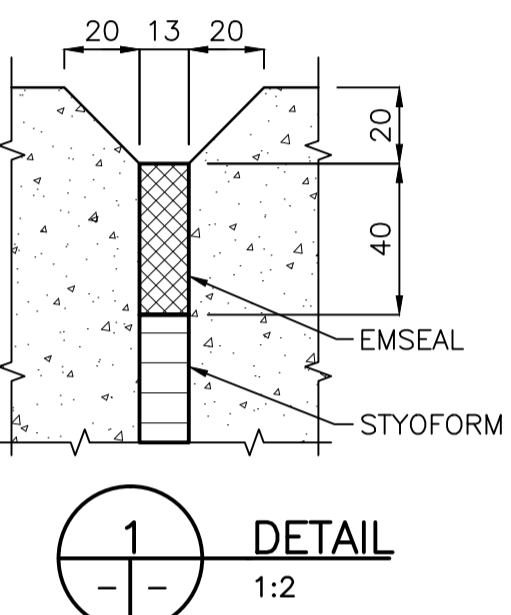
B SECTION  
1:10



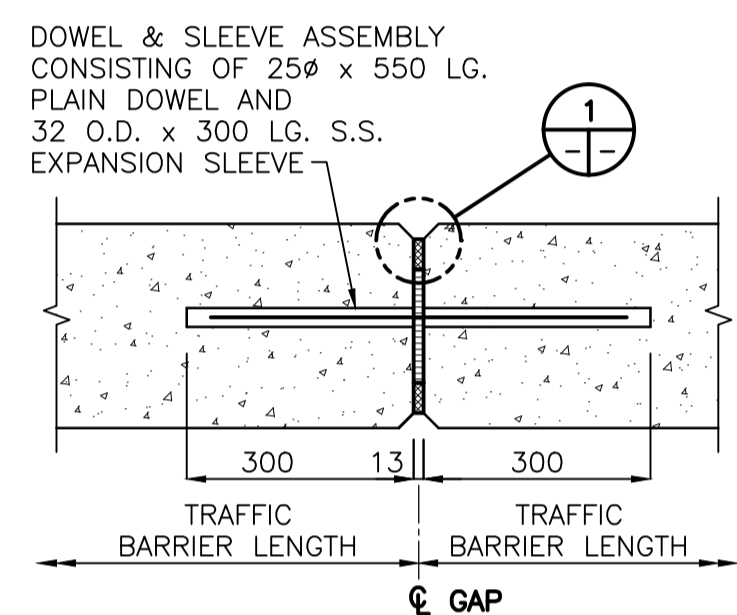
C SECTION  
1:10



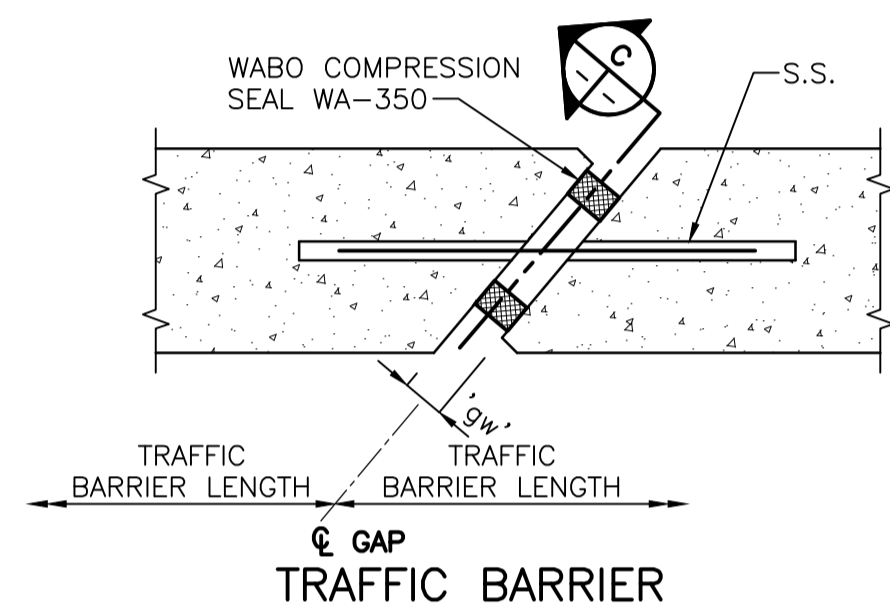
DETAIL OF CONDUITS EMBEDDED  
IN NORTHBOUND BRIDGE SIDEWALK  
1:25



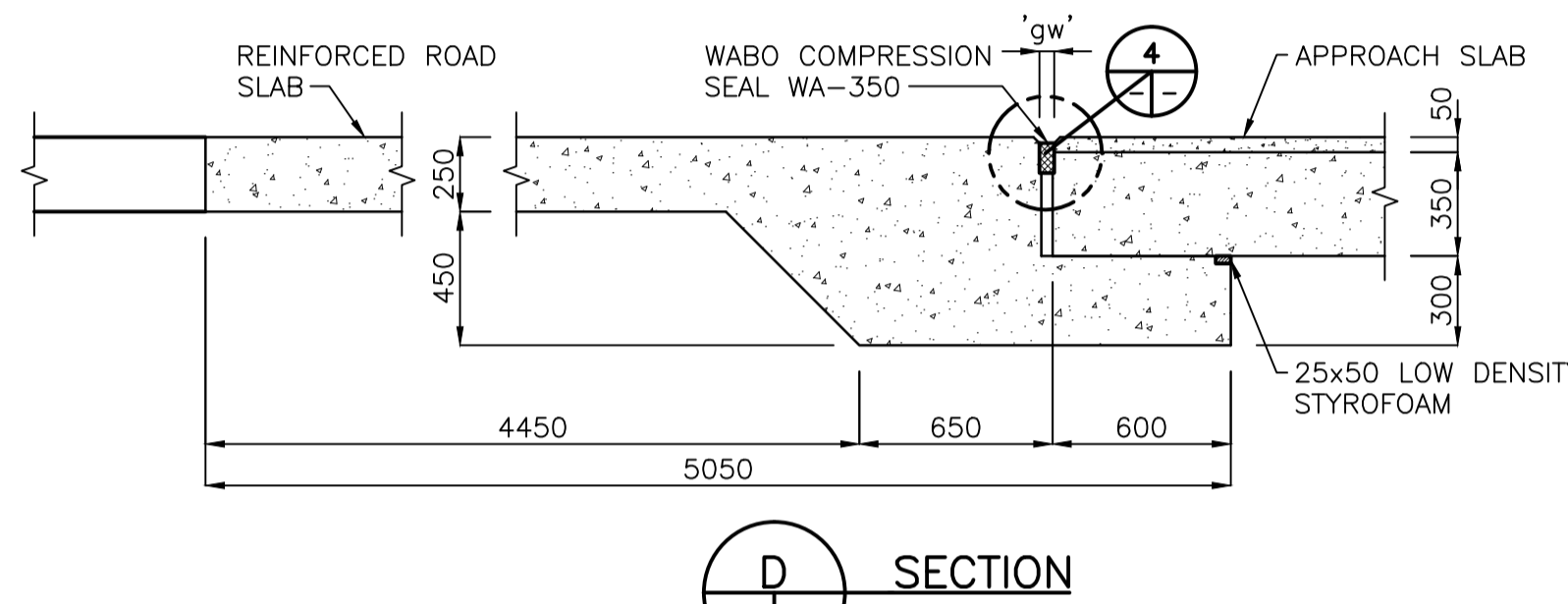
1 DETAIL  
1:2



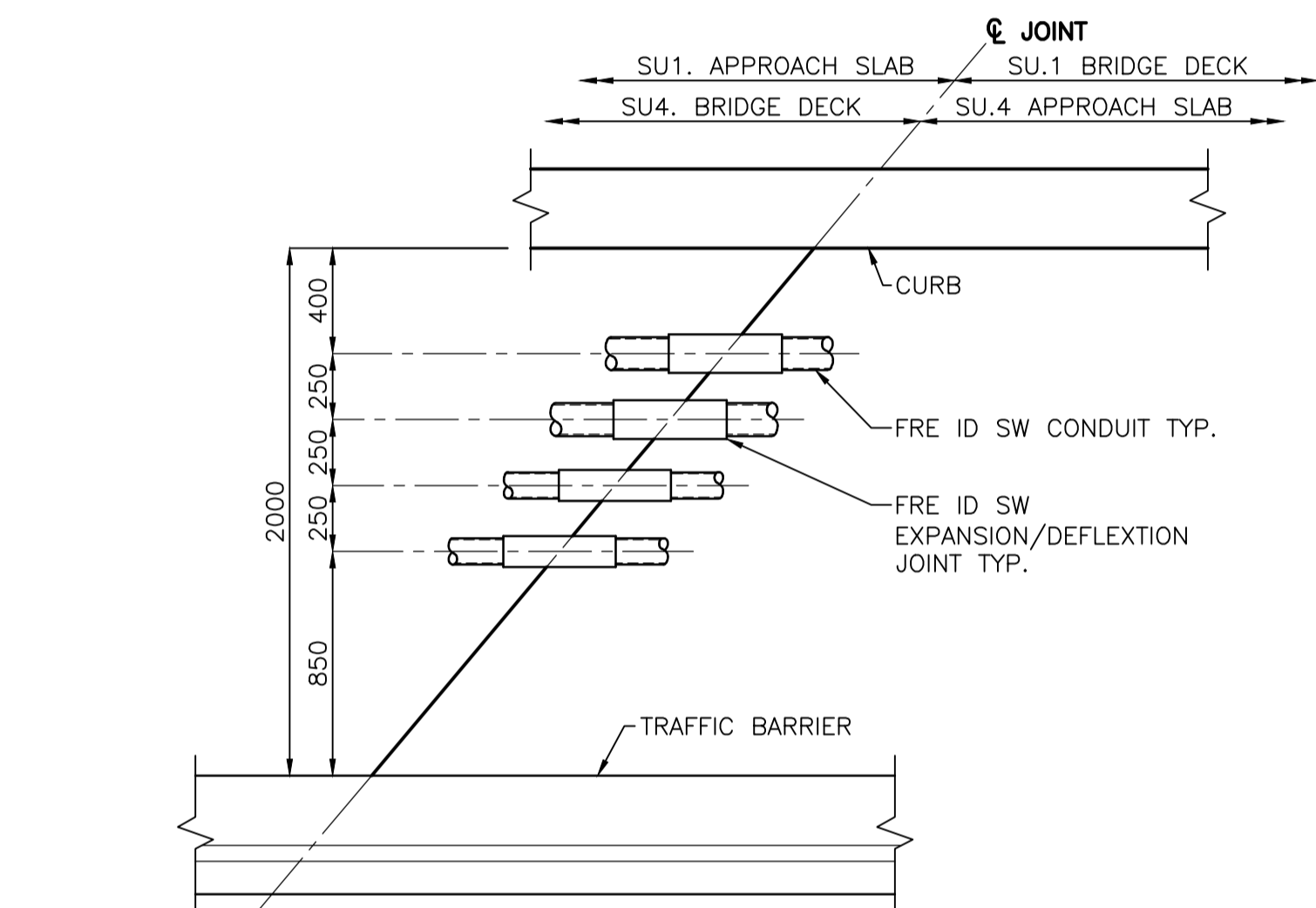
TYP. TRAFFIC  
BARRIER JOINT DETAIL  
1:10



TRAFFIC BARRIER  
EXPANSION JOINT DETAIL  
1:10

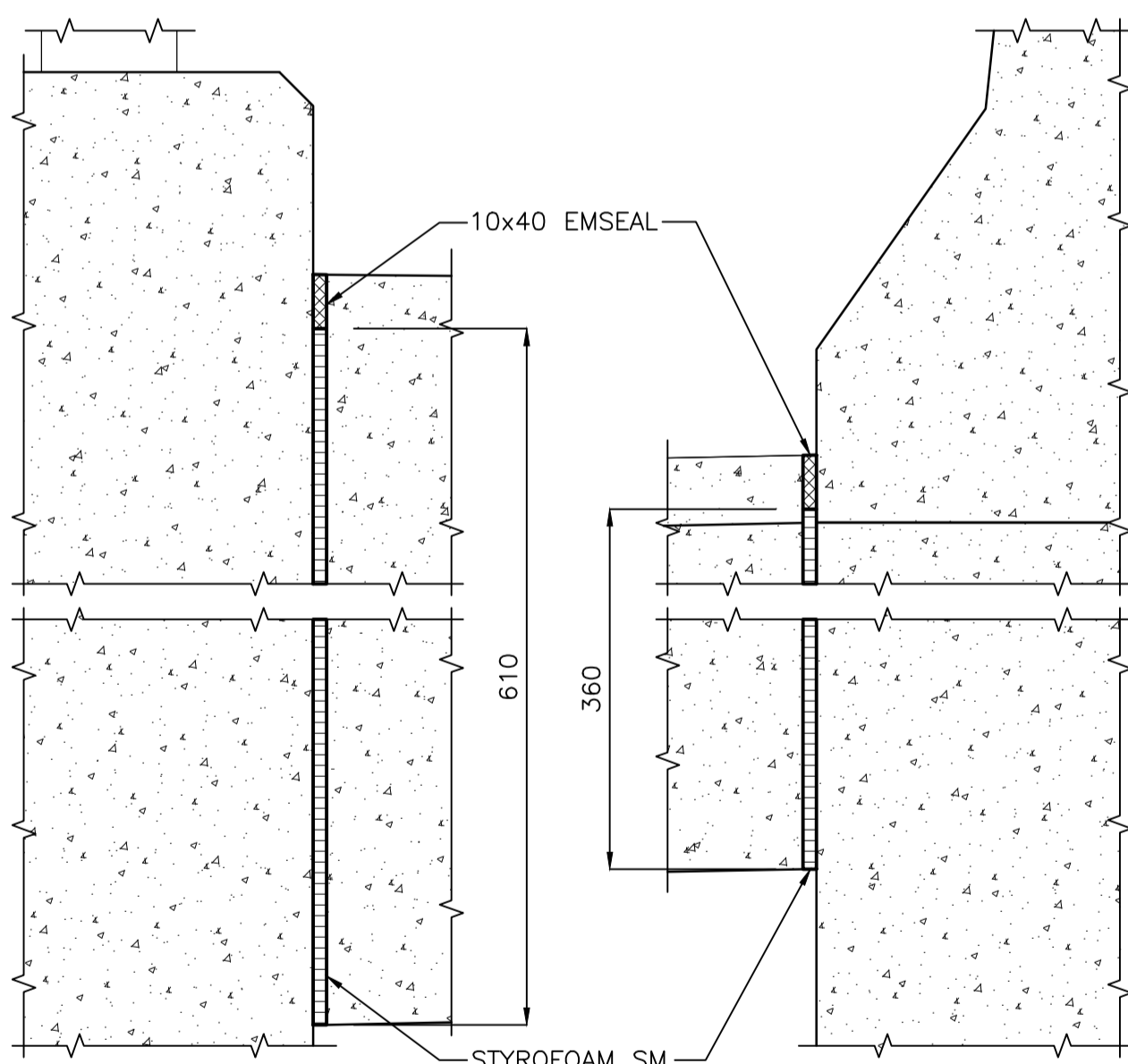


D SECTION  
40 42



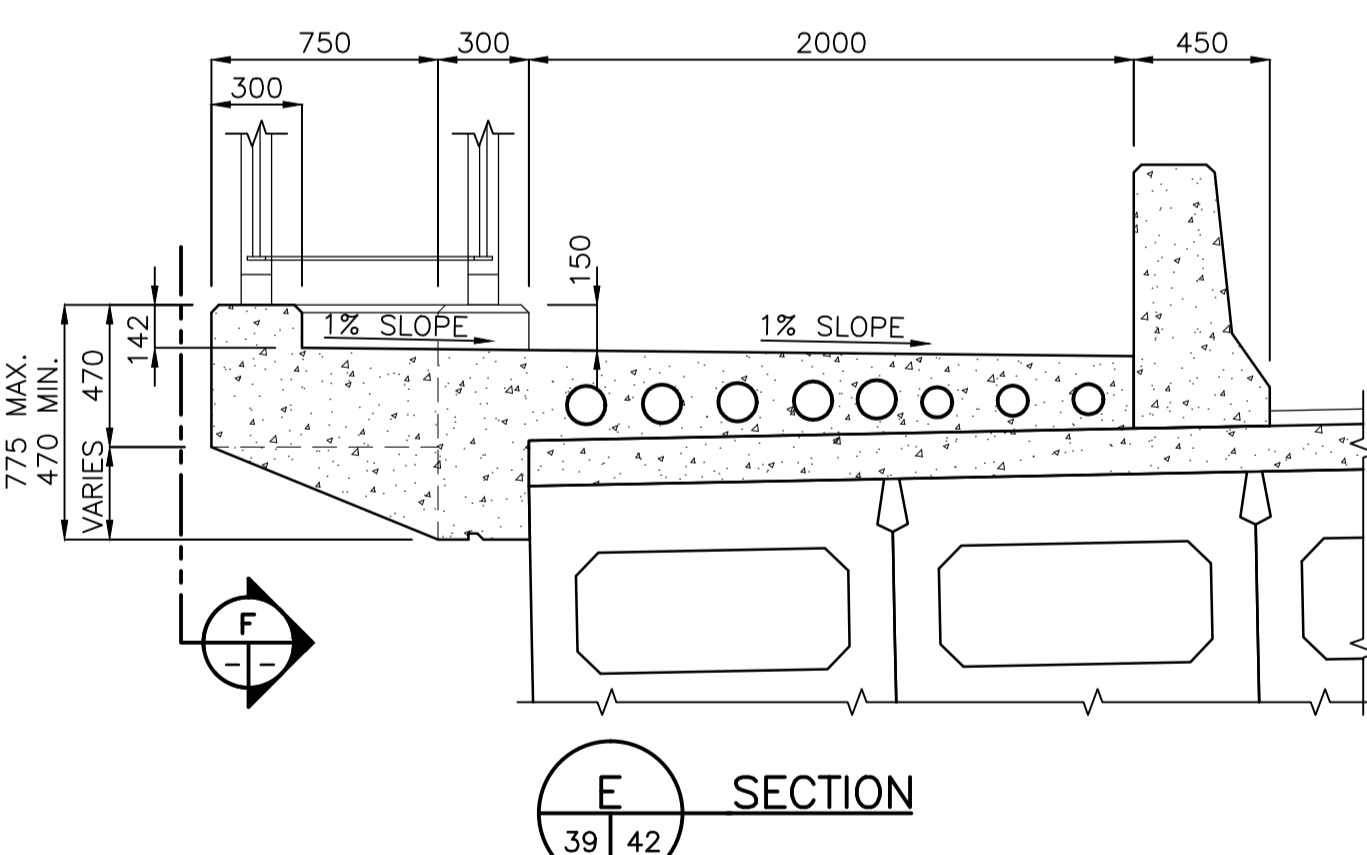
DETAIL OF CONDUITS EMBEDDED  
IN SOUTHBOUND BRIDGE SIDEWALK  
1:25

EXPANSION JOINT GAP CONSTRUCTION WIDTH													
INSTALLATION TEMPERATURE °C	-30	-25	-20	-15	-10	-5	0	5	10	15	20	25	30
INSTALLATION GAP WIDTH 'gw' mm	64	62	61	60	59	57	56	55	54	52	51	50	49

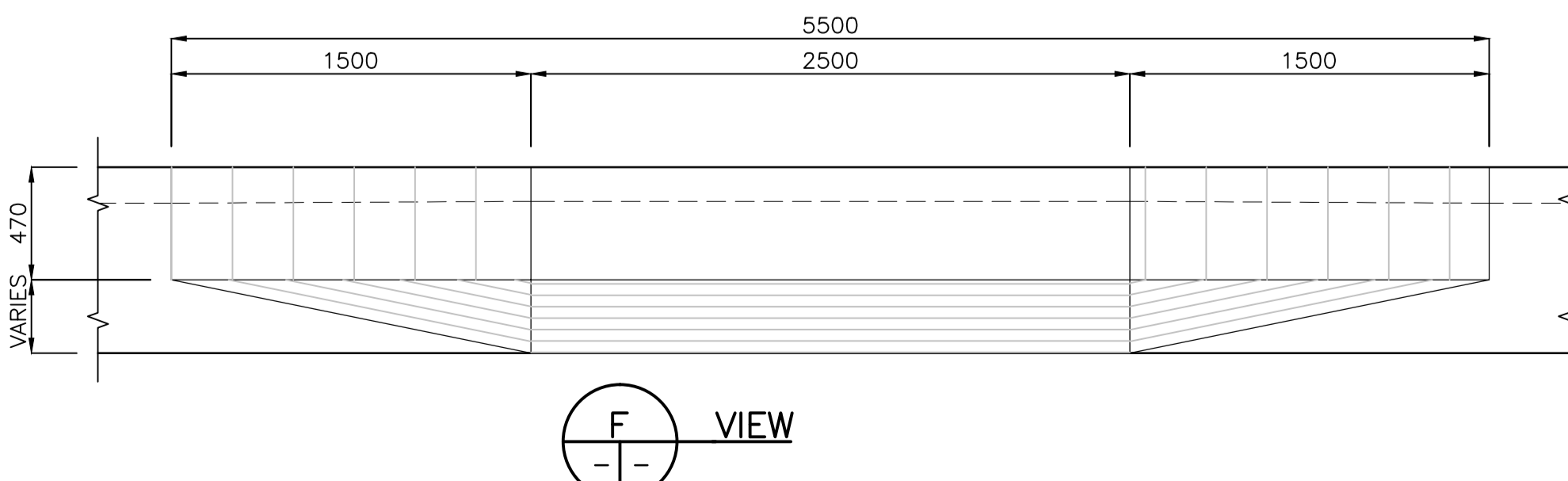


2 DETAIL  
41 42 1:5

3 DETAIL  
41 42 1:5



E SECTION  
39 42



F VIEW

**APEGN**  
Certificate of Authorization  
Stantec Consulting Ltd.  
No. 1301 Date: \_\_\_\_\_

**METRIC**  
WHOLE NUMBERS INDICATE MILLIMETRES  
DECIMALIZED NUMBERS INDICATE METRES

**THE CITY OF WINNIPEG**  
PUBLIC WORKS DEPARTMENT  
ENGINEERING DIVISION

**STURGEON ROAD**  
BRIDGE REPLACEMENT  
PORTAGE AVENUE TO HALLONQUIST DRIVE  
CONCRETE DETAILS  
S.B. & N.B. DECK & APPROACH SLAB DETAILS

SHEET 42 OF 82  
CAD FILE DRAWING NUMBER 31590s-601-767.dwg  
CITY DRAWING NUMBER B120-12-042

**Stantec Consulting Ltd.**  
905 Waverley Street, Winnipeg, Manitoba  
Tel 204-489-5900 Fax 204-453-9012

DESIGNED BY: K.S.A. CHECKED BY: K.S.A.  
DRAWN BY: J.M.B. APPROVED BY: B.J.W.

HOR. SCALE: 1:25  
VERTICAL: U.N.O.

RELEASSED FOR CONSTRUCTION: \_\_\_\_\_  
DATE: \_\_\_\_\_

CONSULTANT DRAWING NO. S-603

DATE: DEC. 15, 2011

ENGINEER'S SEAL

NO. REVISIONS DATE BY

0 ISSUED FOR TENDER 11.12.15 K.S.A.

V:\11371590\drawing\402\_design\sheet\_files\2011-11-12\_tender\_issue\31590s-601-767.dwg  
 Date: 2011 Dec 20 4:04pm Login: Beermorts, James