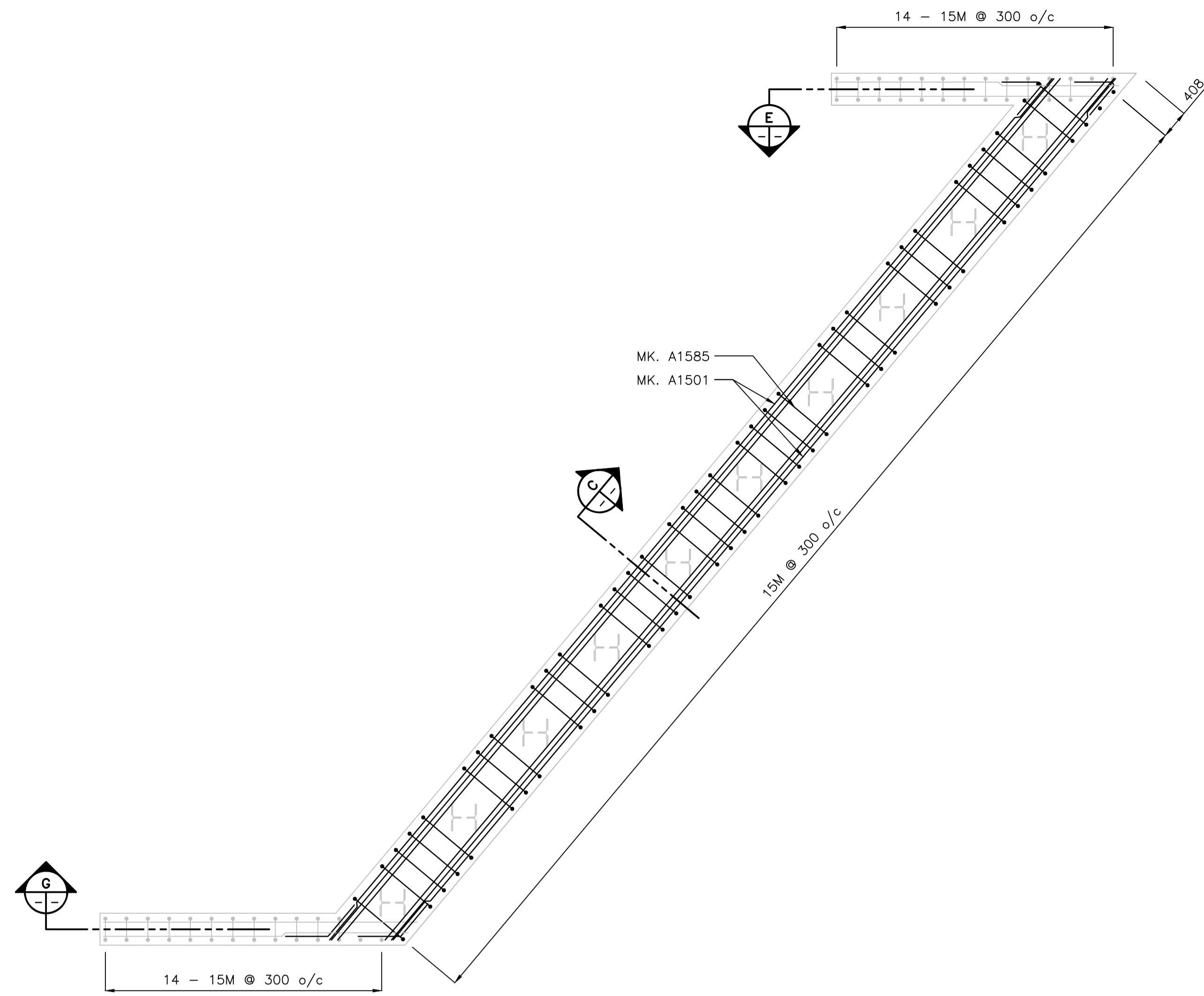
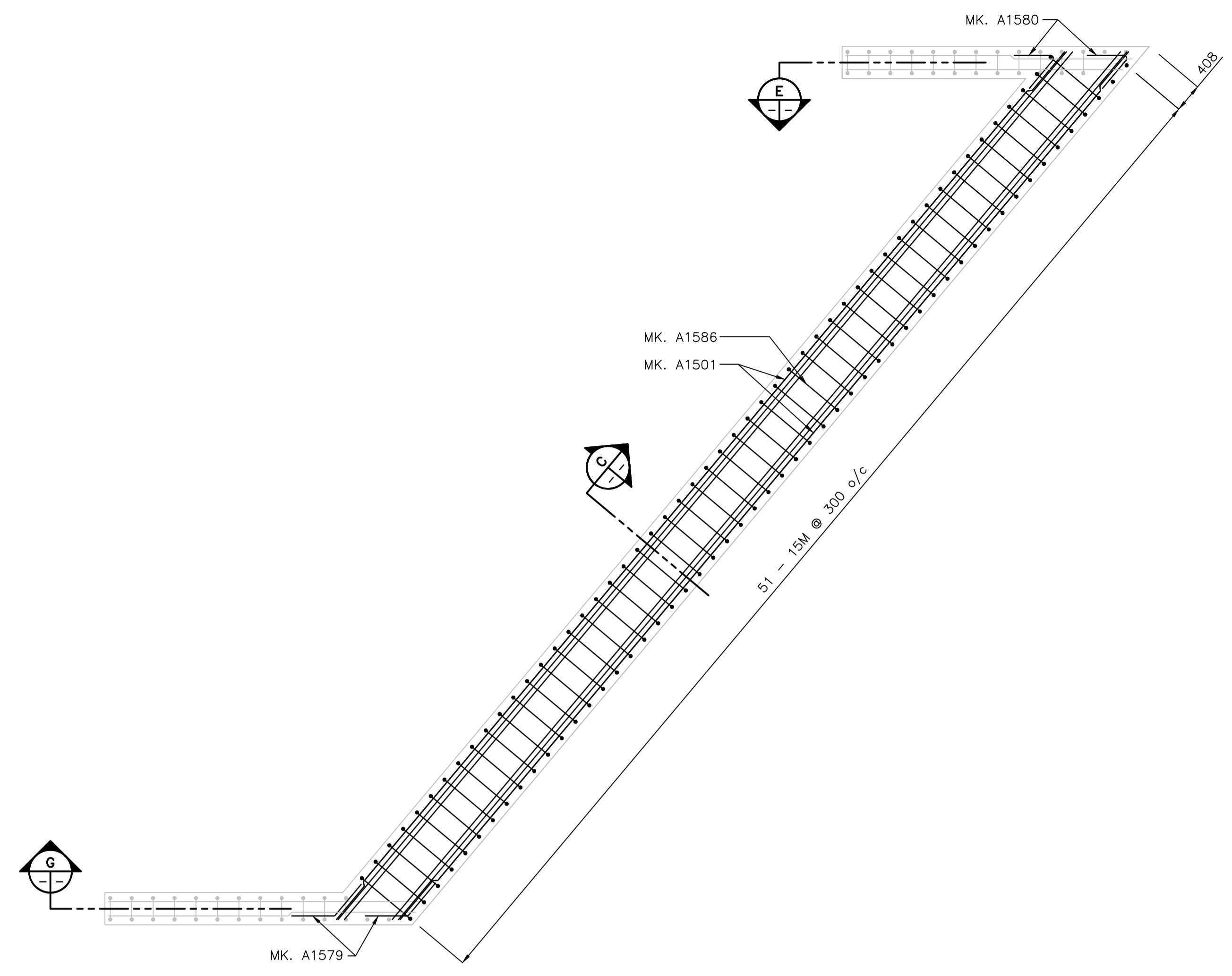


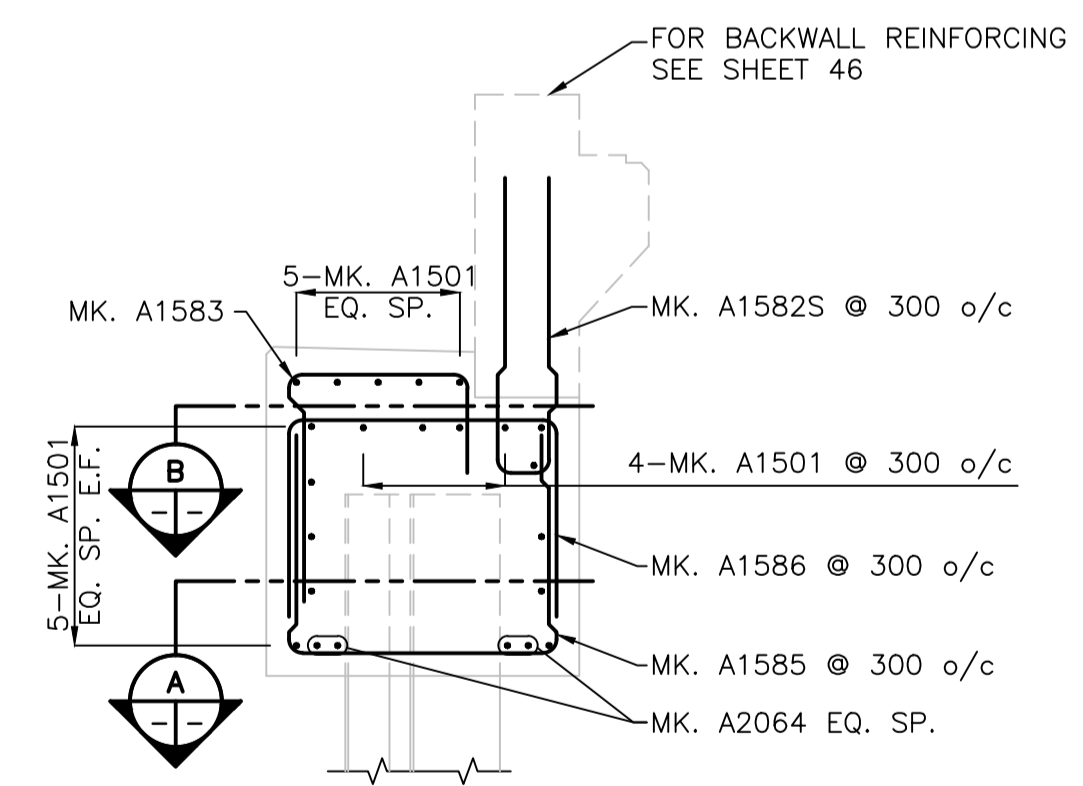
V:\1137\1590\drawing\402\_design\sheet\_files\2011-11-12\_tender\_issue\31590s-205-767.dwg  
 Date: 2011 Dec 20 3:11pm Login: Beemcoarts, James



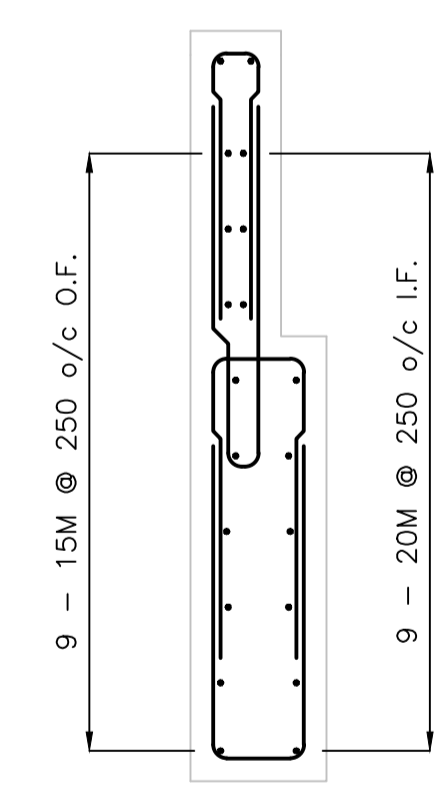
**A** S.B. ABUTMENT PLAN - SU.1  
1:50



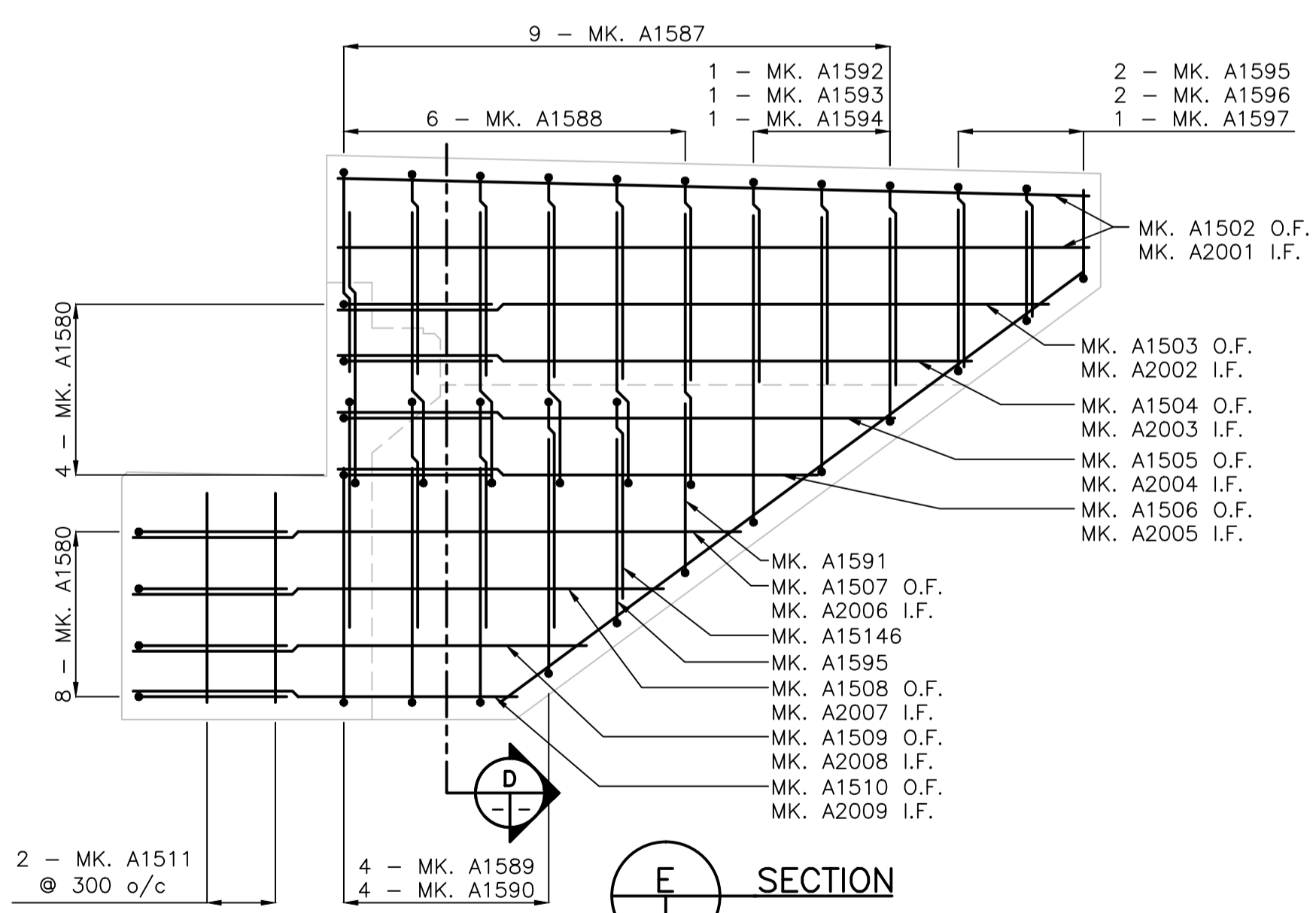
**B** S.B. ABUTMENT PLAN - SU.1  
1:50



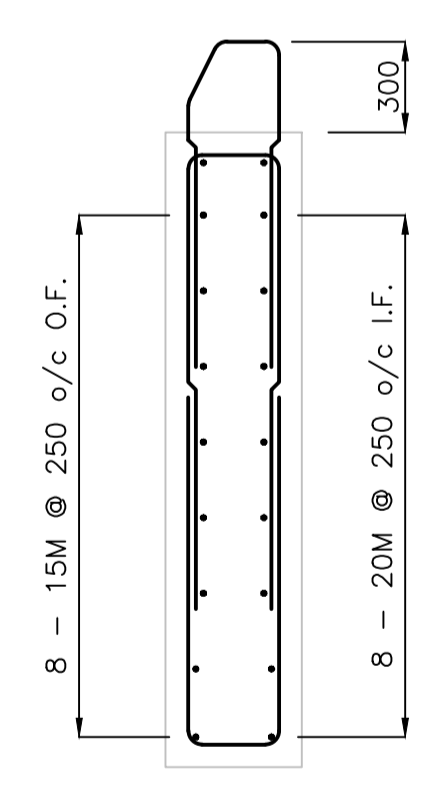
**C** SECTION



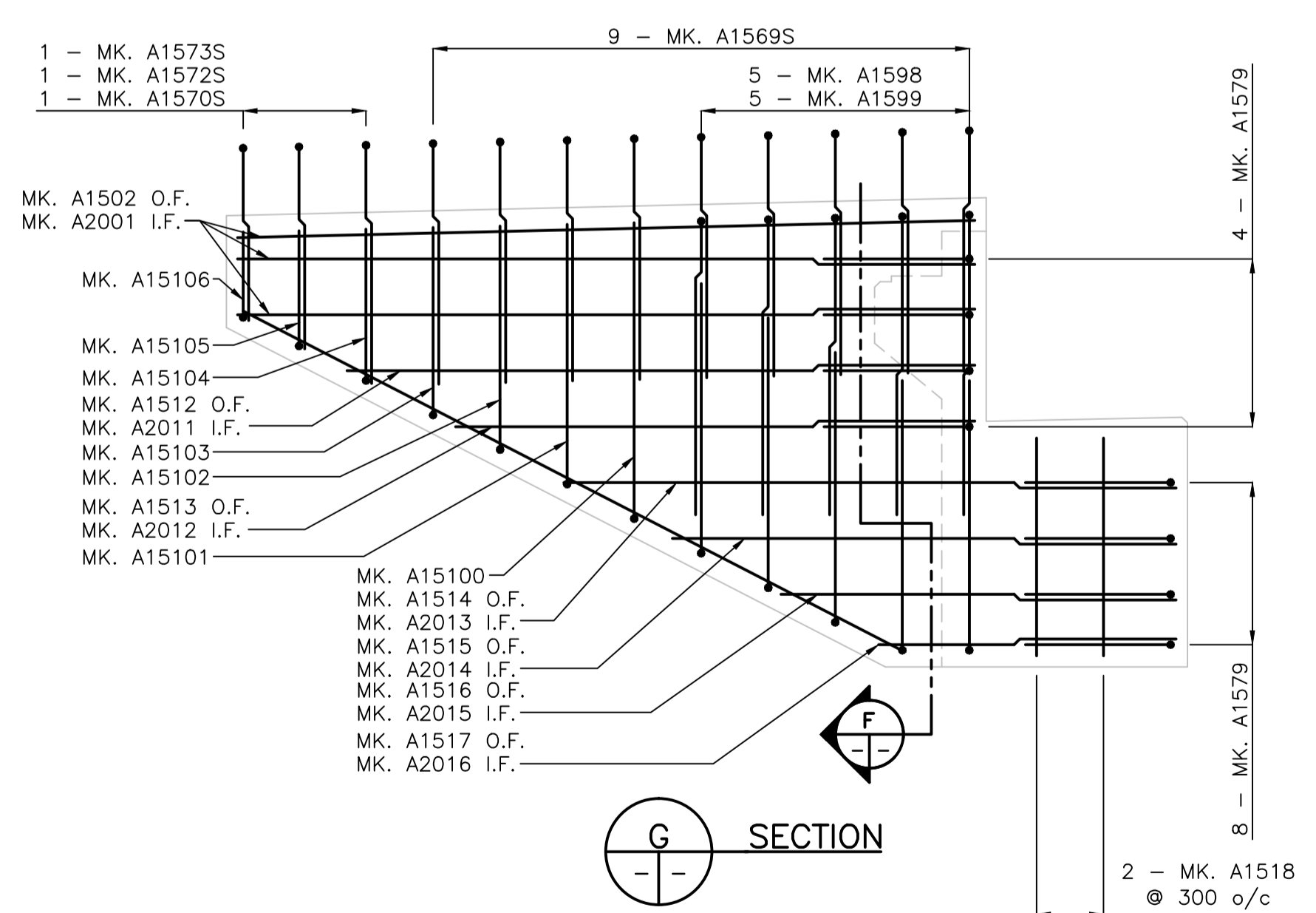
**D** SECTION



**E** SECTION



**F** SECTION



**G** SECTION

**APEGM**  
Certificate of Authorization  
Stantec Consulting Ltd.  
No. 1301 Date: \_\_\_\_\_

**METRIC**  
WHOLE NUMBERS INDICATE MILLIMETRES  
DECIMALIZED NUMBERS INDICATE METRES

LOCATION APPROVED UNDERGROUND STRUCTURES

SUPV. U/G STRUCTURES COMMITTEE	DATE

NOTE:  
LOCATION OF UNDERGROUND STRUCTURES AS SHOWN ARE BASED ON THE BEST INFORMATION AVAILABLE BUT NO GUARANTEE IS GIVEN THAT ALL EXISTING UTILITIES ARE SHOWN OR THAT THE GIVEN LOCATIONS ARE EXACT. CONFIRMATION OF EXISTENCE AND EXACT LOCATION OF ALL SERVICES MUST BE OBTAINED FROM THE INDIVIDUAL UTILITIES BEFORE PROCEEDING WITH CONSTRUCTION.

NO.	REVISIONS	DATE	BY
0	ISSUED FOR TENDER	11.12.15	K.S.A.

**Stantec Consulting Ltd.**  
100-1355 Taylor Ave., Winnipeg, Manitoba  
Tel 204-488-5742 Fax 204-284-4795

DESIGNED BY <b>K.S.A.</b>	CHECKED BY <b>K.S.A.</b>
DRAWN BY <b>S.A.S.</b>	APPROVED BY <b>B.J.W.</b>
SCALE: 1:25 U.N.O	RELEASED FOR CONSTRUCTION: DATE

DATE DEC. 15, 2011

ENGINEER'S SEAL  
CONSULTANT DRAWING NO.  
**S-205**

**THE CITY OF WINNIPEG**  
PUBLIC WORKS DEPARTMENT  
ENGINEERING DIVISION

**STURGEON ROAD**  
BRIDGE REPLACEMENT  
PORTAGE AVENUE TO HALLONQUIST DRIVE  
REINFORCING DETAILS  
SOUTHBOUND ABUTMENT SU.1

SHEET **21** OF **82**  
CAD FILE DRAWING NUMBER  
31590s-205-767.dwg  
CITY DRAWING NUMBER  
**B120-12-021**