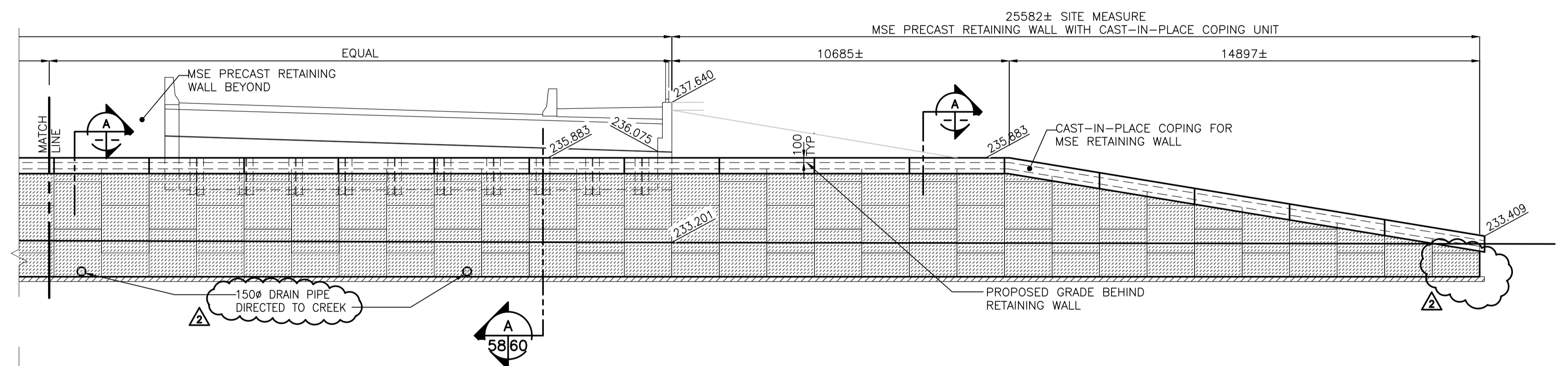


1 RETAINING WALL 'A' ELEVATION
 1:100 NOTE: CHAIN LINK FENCE ANCHORED TO RETAINING WALL NOT SHOWN FOR CLARITY REFER TO SHEET 49

NOTE: ELEVATIONS REPRESENTS VIEW ALONG THE CURVED GEOMETRY OF THE RETAINING WALL.

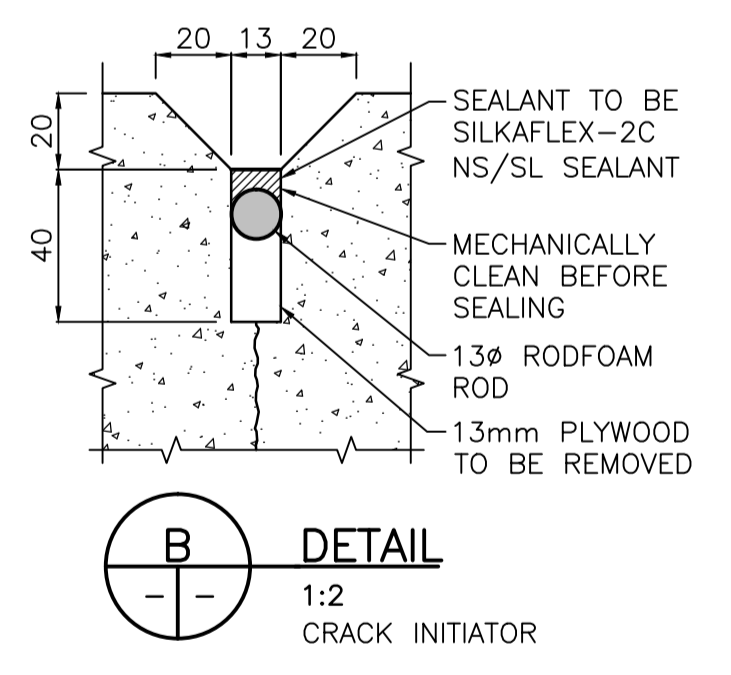
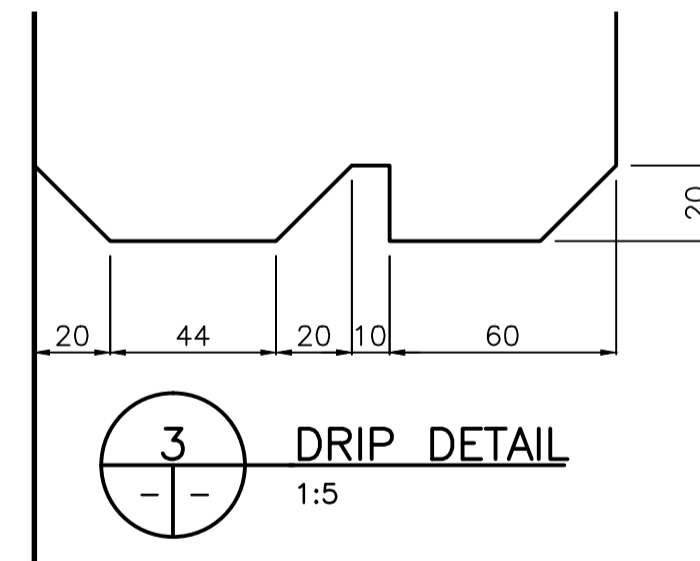
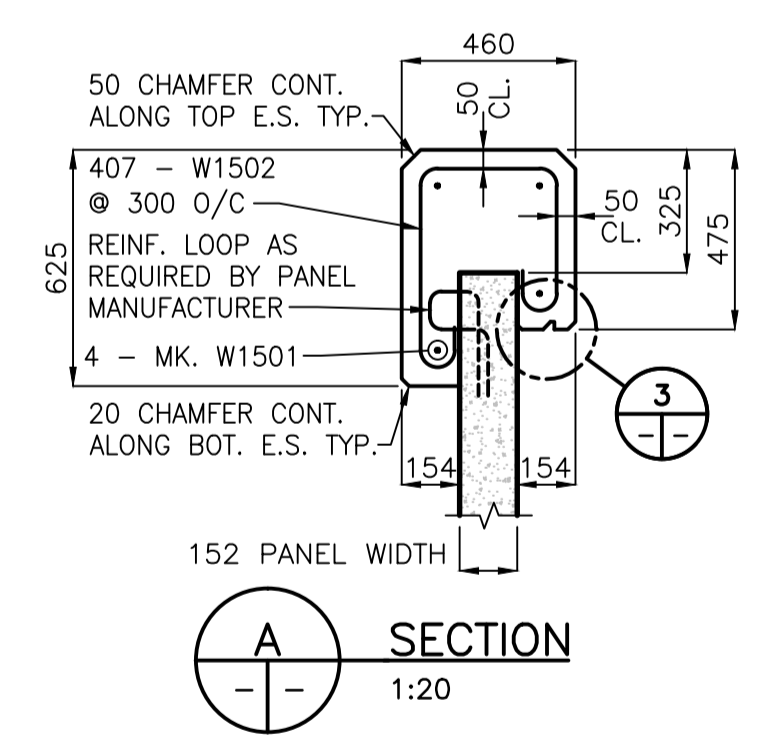
NOTE:

1. CONTRACTOR TO PROVIDE SHOP DRAWINGS AND DESIGN NOTES FOR MSE BLOCK RETAINING WALL, LEVELLING PADS, WALL BACKFILL, MECHANICAL ANCHORAGE AND DRAINAGE. CONTRACTOR TO CONFIRM FOOTING AND FILL REQUIREMENTS WITH GEOTECHNICAL ENGINEER. PLAN GEOMETRY AND T/O WALL ELEVATION TO BE AS SHOWN ON THE DRAWINGS. BOTTOM OF RETAINING WALL ELEVATION AND EMBEDMENT OF RETAINING WALL TO BE DETERMINED BY THE CONTRACTOR. RETAINING WALL SHOP DRAWINGS AND DESIGN NOTES TO BE SEALED BY A PROFESSIONAL ENGINEER REGISTERED IN THE PROVINCE OF MANITOBA.
2. CONTRACT ADMINISTRATOR TO COMPLETE GLOBAL STABILITY ANALYSIS OF THE MSE BLOCK RETAINING WALL BASED ON SEALED SHOP DRAWINGS AND DESIGN NOTES. CONTRACTOR TO ADJUST THE MSE BLOCK RETAINING WALL AS REQUIRED BY THE CONTRACT ADMINISTRATOR TO ADDRESS POSSIBLE STABILITY CONCERNS.
3. CONTRACTOR TO PROVIDE CONSTRUCTION PROCEDURES FOR THE CONSTRUCTION OF THE RETAINING WALLS.

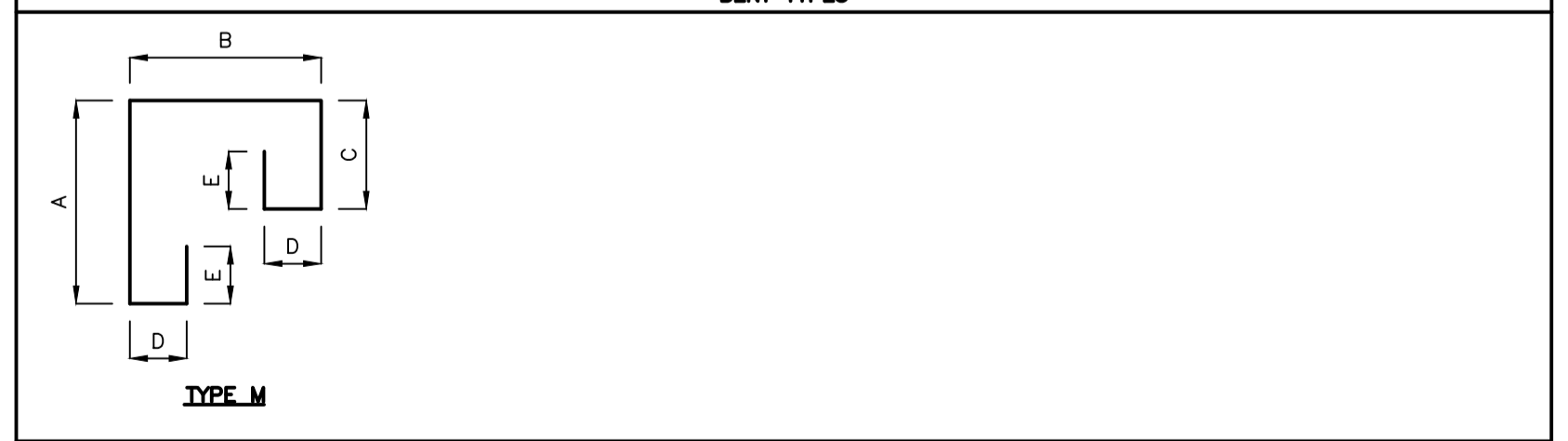


2 RETAINING WALL 'A' ELEVATION CONTINUED
 1:100 NOTE: CHAIN LINK FENCE ANCHORED TO RETAINING WALL NOT SHOWN FOR CLARITY REFER TO SHEET 49

NOTE: ELEVATIONS REPRESENTS VIEW ALONG THE CURVED GEOMETRY OF THE RETAINING WALL.



STRAIGHT BARS				BENT BARS									
MARK	QTY.	LENGTH (mm)	MASS (kg)	MARK	QTY.	TYPE	A	B	C	D	E	LENGTH (mm)	MASS (kg)
W1501	36	14100	769.9	W1502	407	M	525	360	375	90	105	1650	1054.3
TOTAL MASS OF BLACK STEEL REINFORCING												1851.2 kg	



APEGM
 Certificate of Authorization
 Stantec Consulting Ltd.
 No. 1301 Date: _____

METRIC
 WHOLE NUMBERS INDICATE MILLIMETRES
 DECIMALIZED NUMBERS INDICATE METRES

LOCATION APPROVED UNDERGROUND STRUCTURES
 SUPV. U/G STRUCTURES COMMITTEE DATE
 NOTE: LOCATION OF UNDERGROUND STRUCTURES AS SHOWN ARE BASED ON THE BEST INFORMATION AVAILABLE BUT NO GUARANTEE IS GIVEN THAT ALL EXISTING UTILITIES ARE SHOWN OR THAT THE GIVEN LOCATIONS ARE EXACT. CONFIRMATION OF EXISTENCE AND EXACT LOCATION OF ALL SERVICES MUST BE OBTAINED FROM THE INDIVIDUAL UTILITIES BEFORE PROCEEDING WITH CONSTRUCTION.

NO.	REVISIONS	DATE	BY	B.M. ELEV.
2	REVISED PER ADDENDUM No.2	12.01.31	K.S.A.	
1	REVISED PER ADDENDUM No.1	12.01.18	K.S.A.	
0	ISSUED FOR TENDER	11.12.15	K.S.A.	

Stantec Consulting Ltd.
 905 Waverley Street, Winnipeg, Manitoba
 Tel 204-489-5900 Fax 204-453-9012

DESIGNED BY: K.S.A. CHECKED BY: K.S.A.
 DRAWN BY: V.J.F. APPROVED BY: B.J.W.
 HOR. SCALE: AS SHOWN
 VERTICAL: _____
 RELEASED FOR CONSTRUCTION: _____
 DATE: DEC. 15, 2011

ENGINEER'S SEAL
 CONSULTANT DRAWING NO. S-802

THE CITY OF WINNIPEG
 PUBLIC WORKS DEPARTMENT
 ENGINEERING DIVISION

STURGEON ROAD
 BRIDGE REPLACEMENT
 PORTAGE AVENUE TO HALLONQUIST DRIVE
 NORTH BANK MODULAR BLOCK
 RETAINING WALL ELEVATIONS

SHEET 58 OF 82
 CAD FILE DRAWING NUMBER 31590s-801-767.dwg
 CITY DRAWING NUMBER B120-12-058