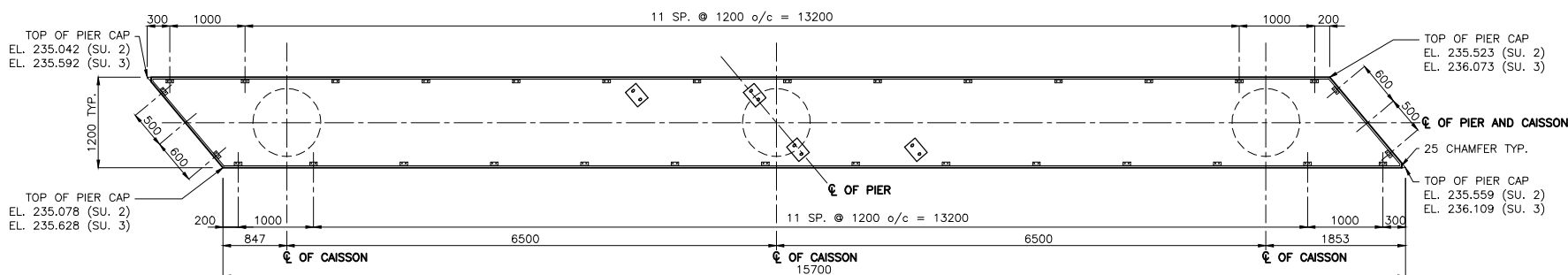
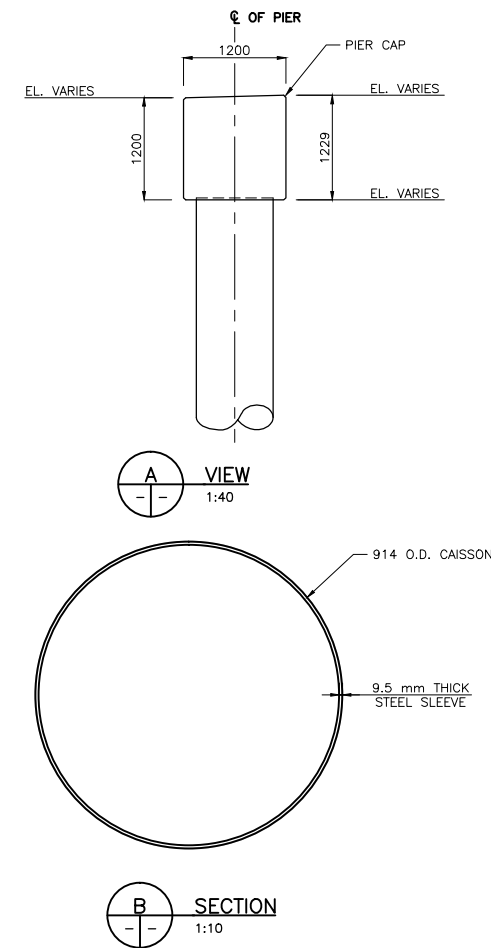


PIER ELEVATION (LOOKING SOUTH)

1:40



PIER PLAN

1:40

- NOTE:
- SEE SHEETS 12 AND 14 FOR BORE HOLE INFORMATION
 - SEE SHEETS 12 AND 13 FOR CAISSON LAYOUT AND CUT-OFF INFORMATION

V:\137\1590\working\403_addenda\sheet_files\bridge\1590s-301-767.dwg
 Date: 2011 Jun 19 12:46pm Login: Stpo, Stephanie

APEGM
Certificate of Authorization
Stantec Consulting Ltd.
No. 1301 Date: _____

METRIC
WHOLE NUMBERS INDICATE MILLIMETRES
DECIMALIZED NUMBERS INDICATE METRES

LOCATION APPROVED UNDERGROUND STRUCTURES

SUPV. U/G STRUCTURES COMMITTEE DATE _____

NOTE:
LOCATION OF UNDERGROUND STRUCTURES AS SHOWN ARE BASED ON THE BEST INFORMATION AVAILABLE BUT NO GUARANTEE IS GIVEN THAT ALL EXISTING UTILITIES ARE SHOWN OR THAT THE GIVEN LOCATIONS ARE EXACT. CONFIRMATION OF EXISTENCE AND EXACT LOCATION OF ALL SERVICES MUST BE OBTAINED FROM THE INDIVIDUAL UTILITIES BEFORE PROCEEDING WITH CONSTRUCTION.

NO.	REVISIONS	DATE	BY
1	REVISED PER ADDENDUM No.1	12.01.18	K.S.A.
0	ISSUED FOR TENDER	11.12.15	K.S.A.

Stantec Consulting Ltd.
100-1355 Taylor Ave., Winnipeg, Manitoba
Tel 204-928-8840 Fax 204-284-4795

DESIGNED BY K.S.A.	CHECKED BY K.S.A.
DRAWN BY J.M.B.	APPROVED BY B.J.W.
HOR. SCALE: 1:10 VERTICAL: U.N.O.	
RELEASED FOR CONSTRUCTION: DATE DEC. 15, 2011	

ENGINEER'S SEAL

CONSULTANT DRAWING NO.
S-302

THE CITY OF WINNIPEG
PUBLIC WORKS DEPARTMENT
ENGINEERING DIVISION

STURGEON ROAD
BRIDGE REPLACEMENT
PORTAGE AVENUE TO HALLONQUIST DRIVE
CONCRETE DETAILS
NORTHBOUND PIERS SU.2 & SU.3

SHEET 27	OF 82
CAD FILE DRAWING NUMBER 31590s-301-767.dwg	
CITY DRAWING NUMBER B120-12-027	