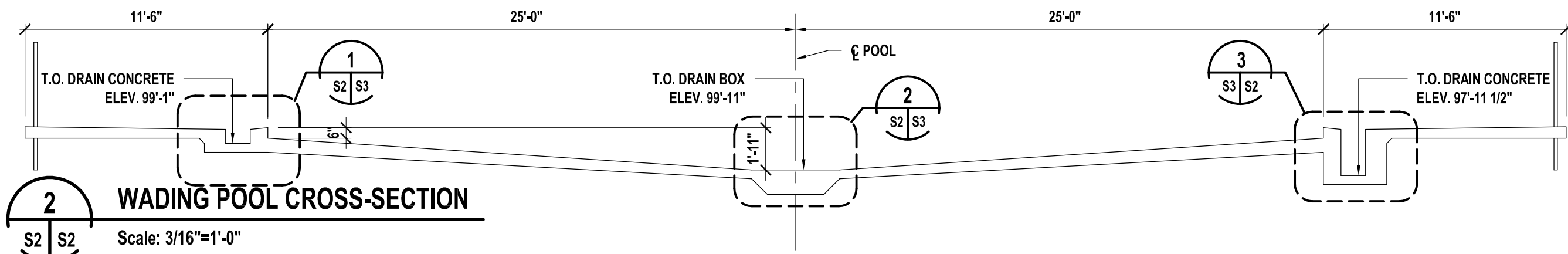
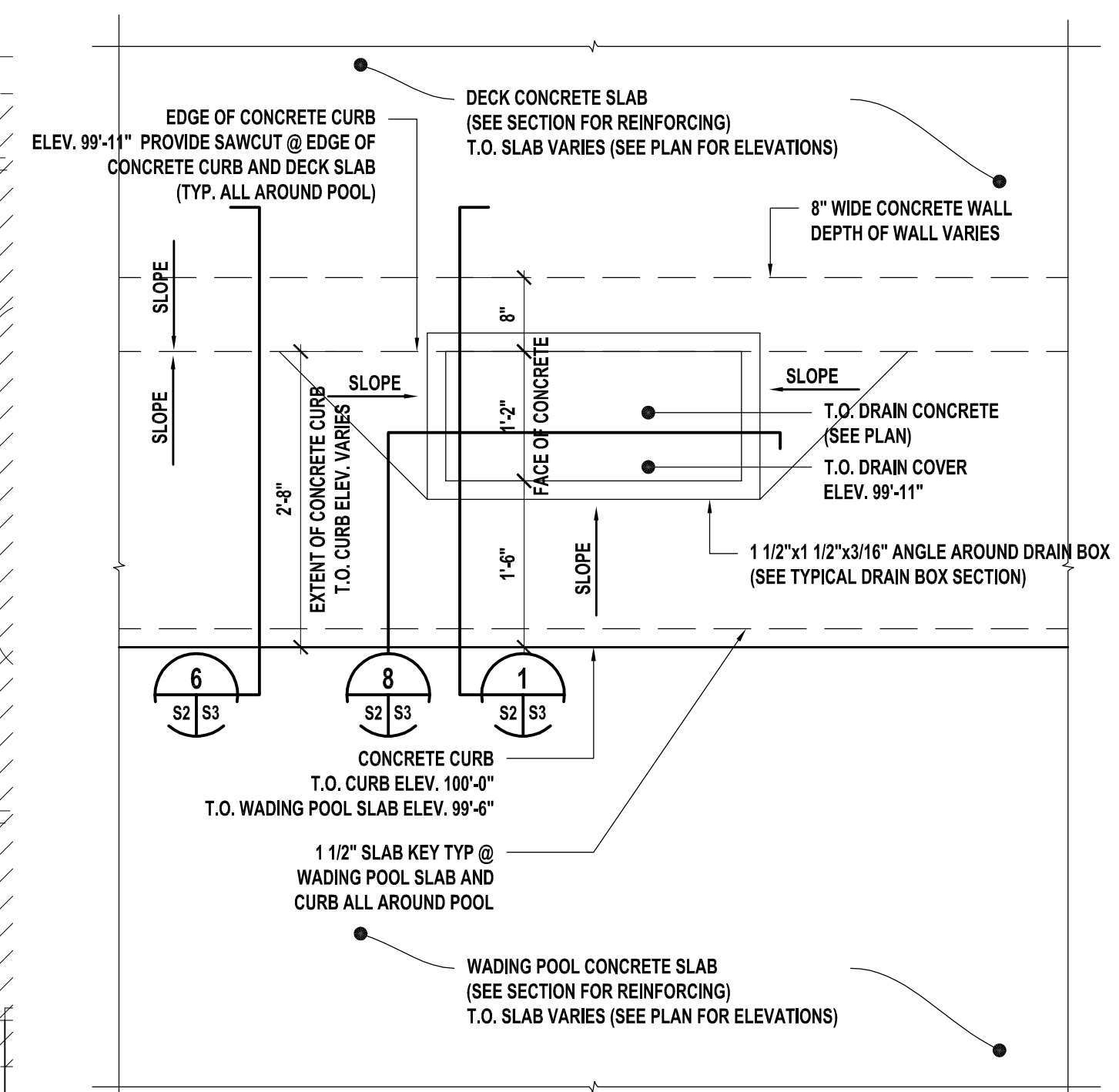


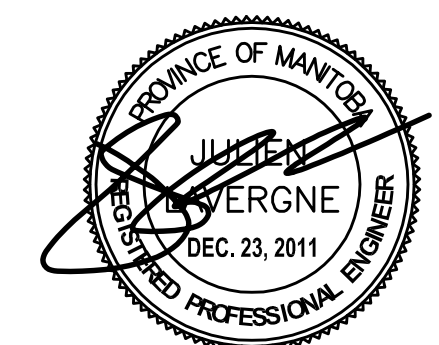
1
S2 | S2
NEW POOL FRAMING PLAN
Scale= 1/8"=1'-0"



2
S2 | S2
WADING POOL CROSS-SECTION
Scale: 3/16"=1'-0"



3
S2 | S2
POOL DECK DRAIN BOX PLAN DETAIL (TYP.)
Scale= 1/8"=1'-0"



APEGM
Certificate of Authorization
Lavergne Draward & Associates Inc.
No. 1912 Date: DEC. 23, 2011

1	ISSUED FOR TENDER	12/23/12	AG	JL
No.	Description	Date (m/d/y)	Drawn	Checked
Revisions/Insurance (Read Up)				
Designed By	Drawn By	Checked By	Approved By	
JL	AG	JL	JL	

THE CONTRACTOR IS TO VERIFY DIMENSIONS AND DATA NOTED ON THE STRUCTURAL DRAWINGS WITH CONDITIONS ON THE SITE. CO-ORDINATE ALL DIMENSIONS WITH THE ARCHITECTURAL DRAWINGS, AND IS HELD RESPONSIBLE FOR REPORTING ANY DISCREPANCIES TO THE ENGINEER BEFORE PROCEEDING WITH THE WORK. VARIATIONS AND MODIFICATIONS TO WORK SHOWN ON THE STRUCTURAL DRAWINGS SHALL NOT BE CARRIED OUT WITHOUT WRITTEN PERMISSION FROM THE ENGINEER. THIS DRAWING IS NOT TO BE SCALED.

Lavergne Draward & Associates Inc.
402-138 Portage Avenue East
Winnipeg, Manitoba
R3C 0A1
Tel 204 947-2222
Fax 204 947-2522
E mail general@ldaeng.ca
Web www.ldaeng.ca

Client
CITY OF WINNIPEG
Project Title
KING EDWARD PARK WADING POOL REPLACEMENT
709 MANHATTAN AVE. WINNIPEG, MB.
Bid Opportunity Number: 1010-2011

Sheet Title
NEW WADING POOL FRAMING PLAN & DETAILS
Scale
AS NOTED
Date
DEC. 23, 2011
File Number
11111
Sheet Number
S2-R0