

P:\Projects\2008\08-0163-02\Doc\Control\Issues\Source\Drawings\2009-03-27\_Issued to Met Mgmt (Elec Signatures)\96-2009\_Drawing\_LD-5323-80.dwg

PROVIDE FLANGE MOUNTING AT FLOOR AND SEAL PENETRATION AIR TIGHT.

200 DIA. SCH. 10, 304 S/S GOOSENECK VENT, C/W S/S BIRD SCREEN ACROSS PIPE INLET.

200Ø SUCTION PIPE, SCH. 10 GALVANIZED STEEL. PROVIDE CONTINUOUS PIPE WITH VERTICAL AND LATERAL SUPPORT. (TYP.)

50Ø PVC SUMP PUMP DISCHARGE.

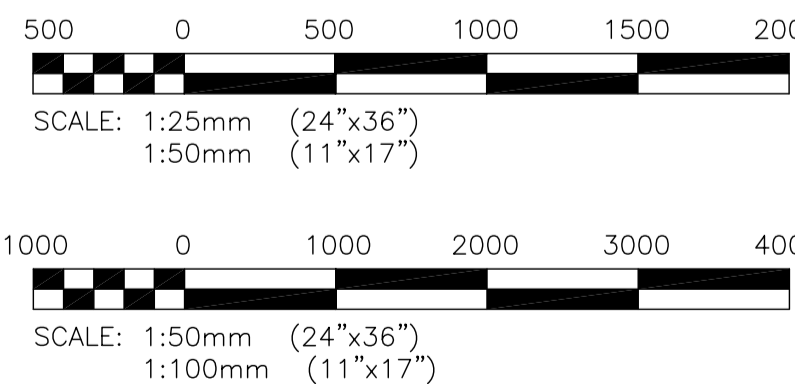
600 DIA. SCH. 10 304 S.S. STATION DISCHARGE PIPE C/W WATERSTOP FLANGE AT EXTERIOR WALL

INVERT EL. 226.00m

ULTRASONIC LEVEL SENSOR. EL. 223.50m

INVERT EL. 221.50m  
F/F EL. 221.10m

**A** ELEVATION  
SCALE: 1:50



SEAL PIPE PENETRATION.  
200Ø SUCTION PIPE, SCH. 10 GALVANIZED STEEL. PROVIDE FLANGED END C/W REMOVABLE BLIND FLANGE COVER PLATE.

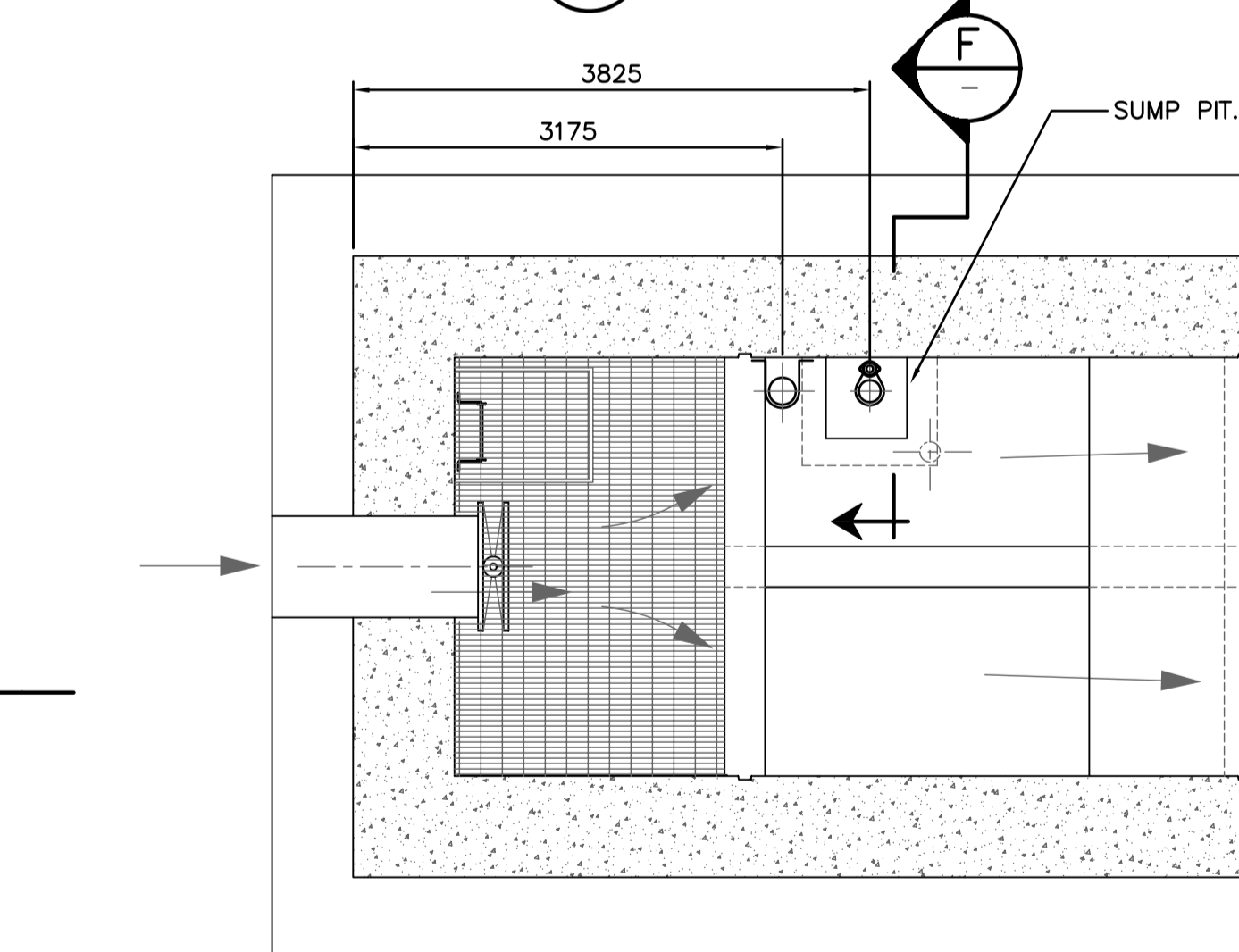
WETWELL ACCESS HATCH  
GATE VALVE OPERATOR.

200mm DIA., SCH. 10, 304 S.S. WITH STAINLESS BIRD SCREEN MESH WELDED ACROSS PIPE INLET.

**B** PLAN AT EL. 232.70m.  
SCALE: 1:50

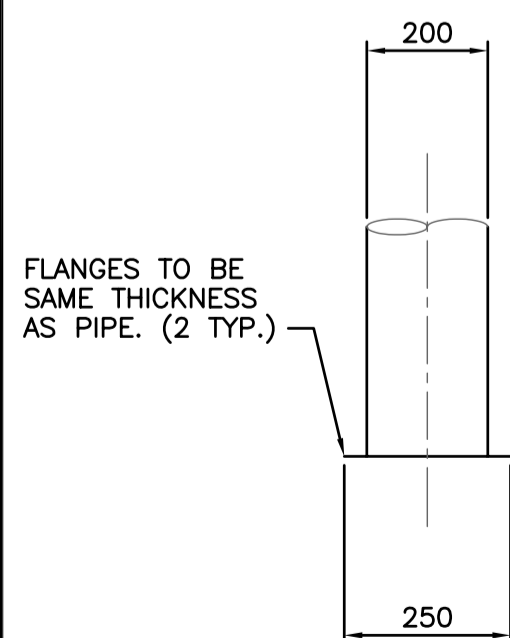
50Ø SUMP DISCHARGE.  
200Ø SUCTION PIPE.  
WET WELL ACCESS LADDER.

**C** PLAN AT EL. 231.35m.  
SCALE: 1:50

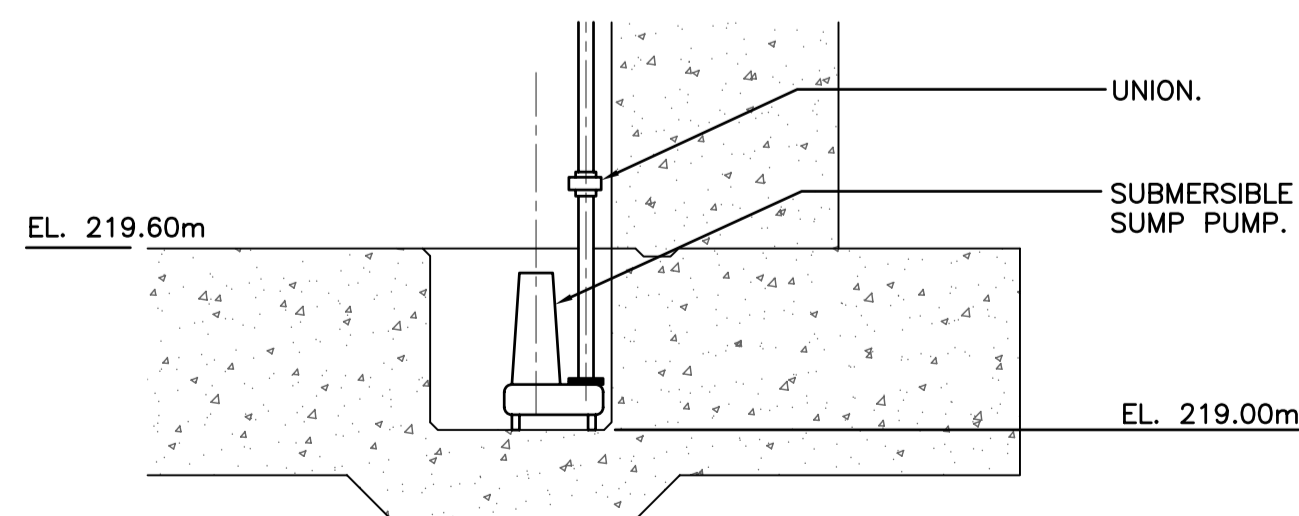


**D** PLAN AT EL. 221.50m.  
SCALE: 1:50

METRIC  
WHOLE NUMBERS INDICATE MILLIMETRES  
DECIMALIZED NUMBERS INDICATE METRES



**E** DETAIL  
SCALE: NTS



**F** SECTION  
SCALE: 1:25

**APEGM**  
Certificate of Authorization  
KGS Group  
No. 245 Date: 25/03/09

DESIGNED BY	APPROVED	B.M. ELEV.	BM ELEV.	DESIGNED BY	DATE
RED	UNDERGROUND STRUCTURES ORIGINAL SIGNED BY DERRICK SAEDAL.			JHH	
CHECKED BY	SUPV. U/G STRUCTURES COMMITTEE			ORIGINAL SIGNED BY PRASAN SILVA.	
APPROVED BY				ORIGINAL SIGNED BY R. E. DERKSEN.	
HOR. SCALE	NOTE:				
VERTICAL	LOCATION OF UNDERGROUND STRUCTURES AS SHOWN ARE BASED ON THE BEST INFORMATION AVAILABLE. BUT NO GUARANTEE IS GIVEN THAT ALL EXISTING UTILITIES ARE SHOWN OR THAT THE GIVEN LOCATIONS ARE EXACT. CONFIRMATION OF EXISTENCE AND EXACT LOCATION OF ALL SERVICES MUST BE OBTAINED FROM THE INDIVIDUAL UTILITIES BEFORE PROCEEDING WITH CONSTRUCTION.				
		0		ISSUED FOR TENDER.	25/03/09 RED
		NO.	REVISIONS	DATE	BY
					08/11/07

DESIGNED BY	APPROVED	B.M. ELEV.	BM ELEV.	DESIGNED BY	DATE
RED	UNDERGROUND STRUCTURES ORIGINAL SIGNED BY DERRICK SAEDAL.			JHH	
CHECKED BY	SUPV. U/G STRUCTURES COMMITTEE			ORIGINAL SIGNED BY PRASAN SILVA.	
APPROVED BY				ORIGINAL SIGNED BY R. E. DERKSEN.	
HOR. SCALE	NOTE:				
VERTICAL	LOCATION OF UNDERGROUND STRUCTURES AS SHOWN ARE BASED ON THE BEST INFORMATION AVAILABLE. BUT NO GUARANTEE IS GIVEN THAT ALL EXISTING UTILITIES ARE SHOWN OR THAT THE GIVEN LOCATIONS ARE EXACT. CONFIRMATION OF EXISTENCE AND EXACT LOCATION OF ALL SERVICES MUST BE OBTAINED FROM THE INDIVIDUAL UTILITIES BEFORE PROCEEDING WITH CONSTRUCTION.				
		0		ISSUED FOR TENDER.	25/03/09 RED
		NO.	REVISIONS	DATE	BY
					08/11/07

**KGS GROUP CONSULTING ENGINEERS**

RELEASED FOR CONSTRUCTION ORIGINAL SIGNED BY RANDY FINGAS.

ENGINEER'S SEAL  
R.E. DERKSEN  
CONSULTANT PROJECT NO. 08-0163-02

**THE CITY OF WINNIPEG TRANSIT DEPARTMENT**

SOUTHWEST RAPID TRANSIT CORRIDOR - STAGE 1  
LAND DRAINAGE PUMPING STATION & ASSOCIATED WORKS

MECHANICAL PIPING

CITY DRAWING NUMBER LD-5323  
SHEET 24 OF 25  
CONSULTANT DRAWING NUMBER C2-B2300-T