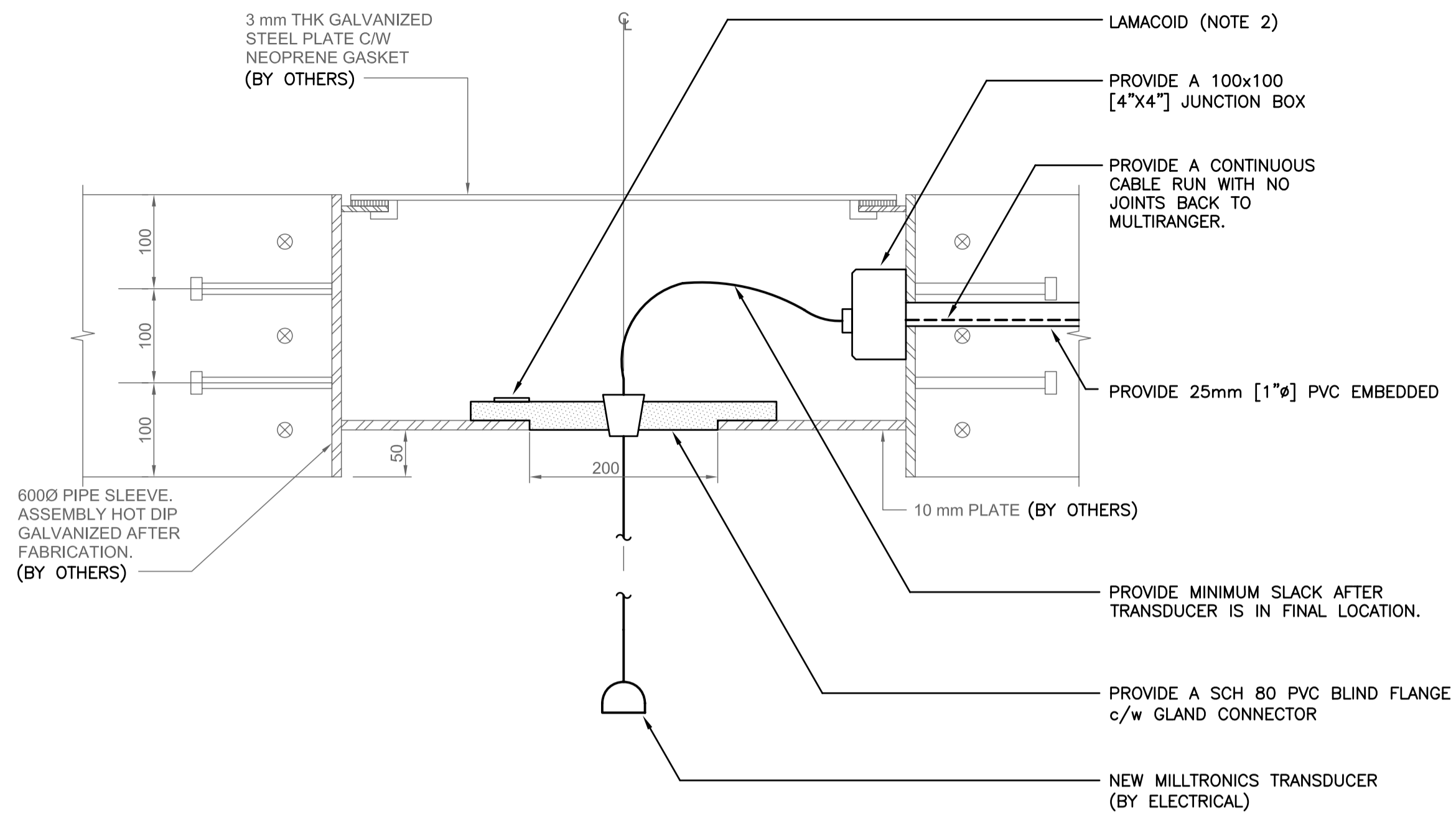
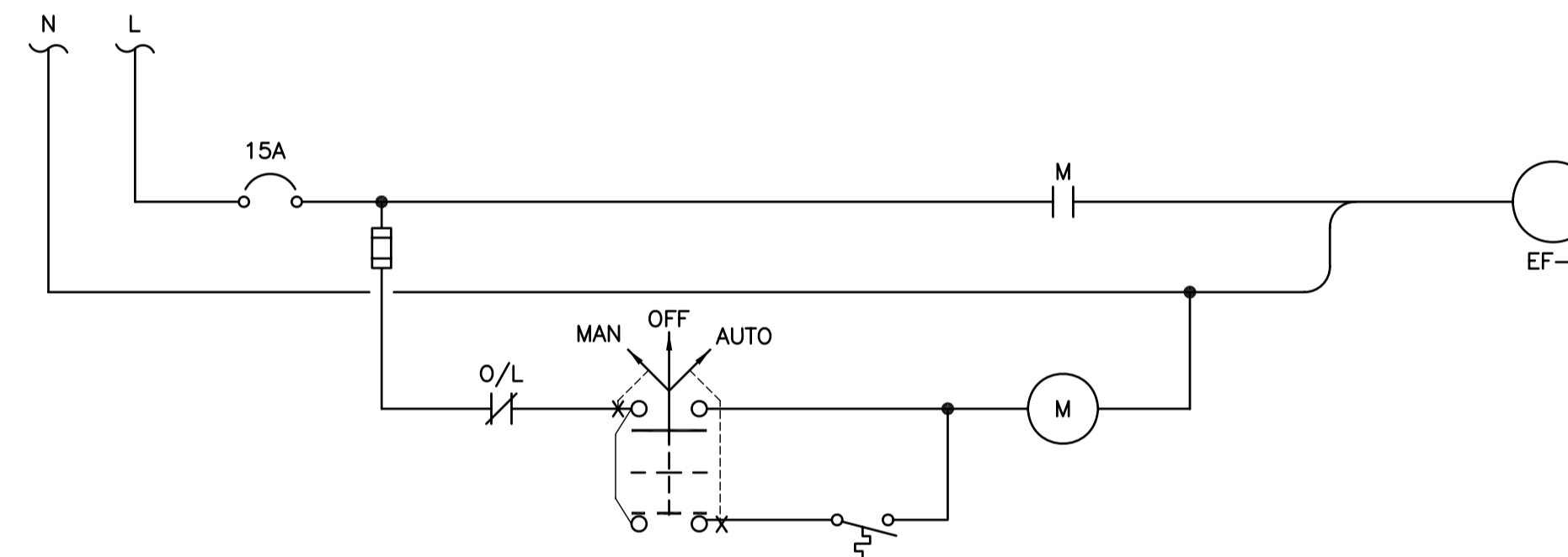


SUPPLY: 240V 1Ø 3W MAINS AMPACITY: 100 INCOMING: <input checked="" type="checkbox"/> BREAKER <input type="checkbox"/> LUGS MAIN BREAKER REQUIRED: <input checked="" type="checkbox"/> YES <input type="checkbox"/> NO MAIN BREAKER AMPS: 100 BUS MATERIAL: <input checked="" type="checkbox"/> COPPER <input type="checkbox"/> ALUMINUM BUS AND BREAKER RATING: 14KA		NAME PLATE:  <b>PANEL ' A '</b>		LOCATION: ELECTRICAL ROOM MOUNTING: <input checked="" type="checkbox"/> SURFACE <input type="checkbox"/> FLUSH MANUFACTURER: MODEL NO: BREAKER: <input type="checkbox"/> PLUG-IN <input checked="" type="checkbox"/> BOLT-ON TVSS: <input type="checkbox"/> YES <input checked="" type="checkbox"/> NO SERVICE ENTRANCE RATED: <input type="checkbox"/> YES <input checked="" type="checkbox"/> NO								
REV	CCT	VA	P	BKR	L1	L2	BKR	P	VA	RECEPTACLE	CCT	REV
B	1	276	1	15			15	1	500	RECEPTACLE - OUTDOOR	2	B
B	3	730	1	15			15	1	500	EXHAUST FAN - EF-1	4	B
B	5	500	1	15			15	1	150	TWISTLOCK - RECEPTACLE	6	B
B	7	696	1	15			30	2	3500	TWISTLOCK - RECEPTACLE	8	B
	9										10	
	11										12	B
	13										14	
	15										16	
	17										18	
	19										20	
	21										22	
	23										24	
		LOAD 'L1'		LOAD 'L2'								
		3,176		5,676								

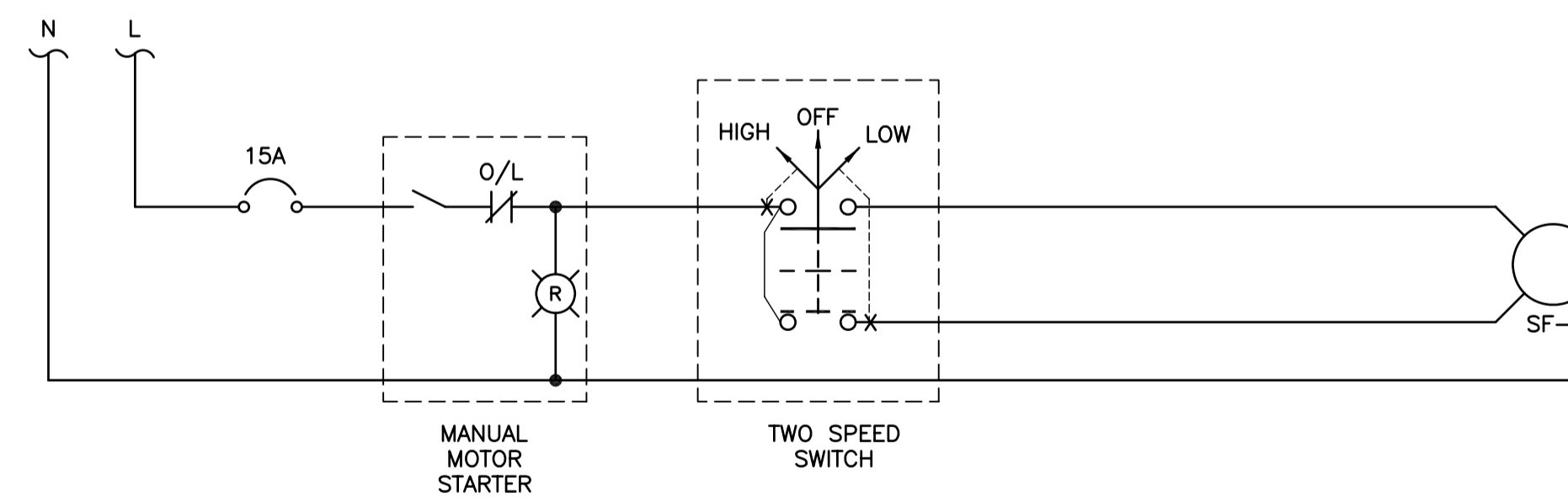
LUMINAIRE SCHEDULE				
TYPE	DESCRIPTION	VOLTAGE	LAMPS	APPROVED MANUFACTURERS
A	CHAIN SUSPENDED FLUORESCENT INDUSTRIAL LUMINAIRE c/w SLOTTED REFLECTOR AND ELECTRONIC BALLAST.	120V	2-32W T8 4100'K	LITHONIA LIGHTING: LA 232 120V GEB10IS
B	HPS WALLPACK CUT-OFF. HIGH POWER FACTOR BALLAST, CAST BODY POLYCARBONATE LENS c/w PHOTOCELL CONTROL.	120V	1-70W HPS	LITHONIA LIGHTING: TWAC 70S 120 XHP CSA RK1 PEB1 CSA
C	7.62m [35'] GALVANIZED STEEL POLE WITH A 63.5mm [2-1/2"] HORIZONTAL STANCHION c/w HIGH POWER FACTOR HPS, BULLET RESISTANT, INDIRECT STYLE FIXTURE, c/w PHOTOCELL CONTROL.	120V	1-400W HPS	MORLITE:BP-X SERIES FIXTURE MARTEC: POLES TO CITY OF WINNIPEG STANDARDS (NOTE 1)



**A** ULTRASONIC TRANSDUCER DETAIL  
LD-5315 SCALE: N.T.S.



**B** EXHAUST FAN EF-1 STARTER CIRCUIT  
SCALE: N.T.S.



**C** SUPPLY FAN SF-1 STARTER CIRCUIT  
SCALE: N.T.S.

- NOTES:**
1. PROVIDE ONE (1) LIGHT FIXTURE c/w POLE ON THE NORTH SIDE OF THE NEW DRIVE AREA.
  2. PROVIDE LAMACOID LABEL. LABEL SHALL SHOW THE FINAL CABLE DIMENSION BETWEEN THE BLIND FLANGE AND THE TRANSDUCER. LAMACOID SHALL BE PERMANENTLY FASTENED TO THE BLIND FLANGE.

P:\Projects\2008\08-0163-02\Doc.Control\Issued\SOURCE\dwgs\2009-03-27\_Issued to Mat Mgmt (Elec Signatures)\96-2009\_Drawing\_LD-5322-R0.dwg



LOCATION APPROVED UNDERGROUND STRUCTURES ORIGINAL SIGNED BY DERRICK SAEDAL	B.M. ELEV.	BM ELEV.	DESIGNED BY JLL
SUPPLY, U/G STRUCTURES COMMITTEE DATE			DRAWN BY GCN
NOTE: LOCATION OF UNDERGROUND STRUCTURES AS SHOWN ARE BASED ON THE BEST INFORMATION AVAILABLE BUT NO GUARANTEE IS GIVEN THAT ALL EXISTING UTILITIES ARE SHOWN OR THAT THE GIVEN LOCATIONS ARE EXACT. CONFIRMATION OF EXISTENCE AND EXACT LOCATION OF ALL SERVICES MUST BE OBTAINED FROM THE INDIVIDUAL UTILITIES BEFORE PROCEEDING WITH CONSTRUCTION.			CHECKED BY ORIGINAL SIGNED BY R.E. WILLMS
			APPROVED BY ORIGINAL SIGNED BY J.L. LALONDE
			HOR. SCALE
			VERTICAL
0 ISSUED FOR TENDER	25/03/09	JLL	RELEASED FOR CONSTRUCTION ORIGINAL SIGNED BY RANDY FINGAS
NO. REVISIONS	DATE	BY	DATE 2009-03-18

<b>KGS GROUP</b> CONSULTING ENGINEERS		ENGINEER'S SEAL PROVINCE OF MANITOBA R. LALONDE Member 32345 REGISTERED PROFESSIONAL ENGINEER
CONSULTANT PROJECT NO. 08-0163-02		THE CITY OF WINNIPEG TRANSIT DEPARTMENT

SOUTHWEST RAPID TRANSIT CORRIDOR - STAGE 1 LAND DRAINAGE PUMPING STATION & ASSOCIATED WORKS		CITY DRAWING NUMBER LD-5322
ELECTRICAL DETAILS & SCHEDULES		SHEET 23 OF 25 CONSULTANT DRAWING NUMBER C2-B2206-T

SOUTHWEST RAPID TRANSIT CORRIDOR - STAGE 1 LAND DRAINAGE PUMPING STATION & ASSOCIATED WORKS		CITY DRAWING NUMBER LD-5322
ELECTRICAL DETAILS & SCHEDULES		SHEET 23 OF 25 CONSULTANT DRAWING NUMBER C2-B2206-T