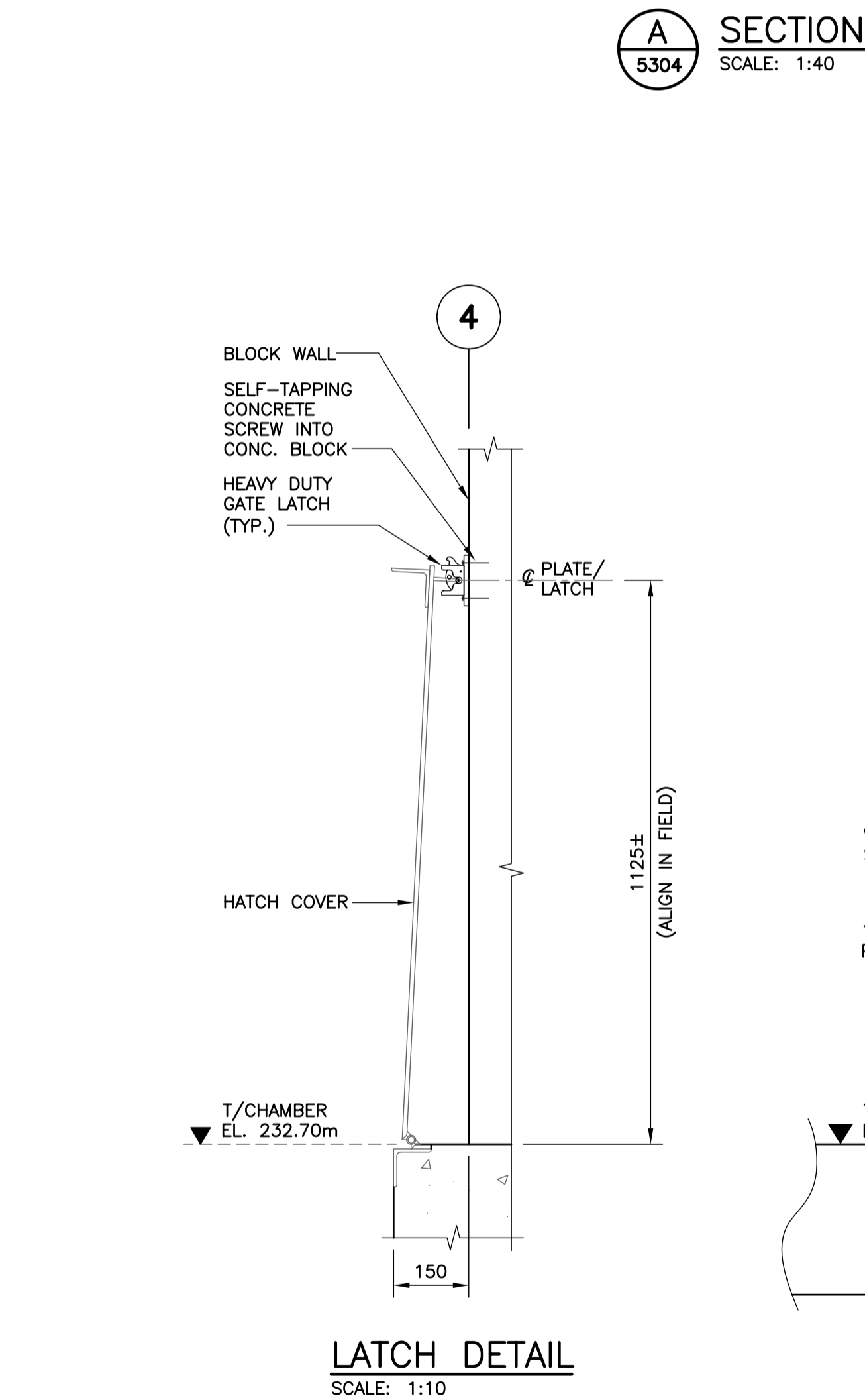
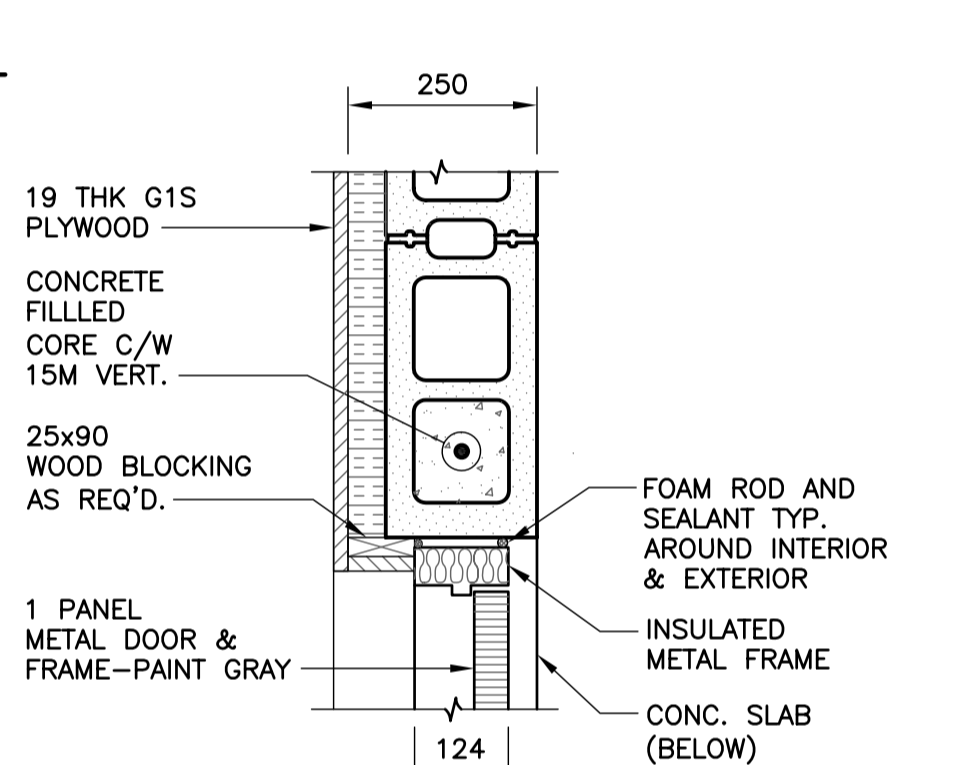


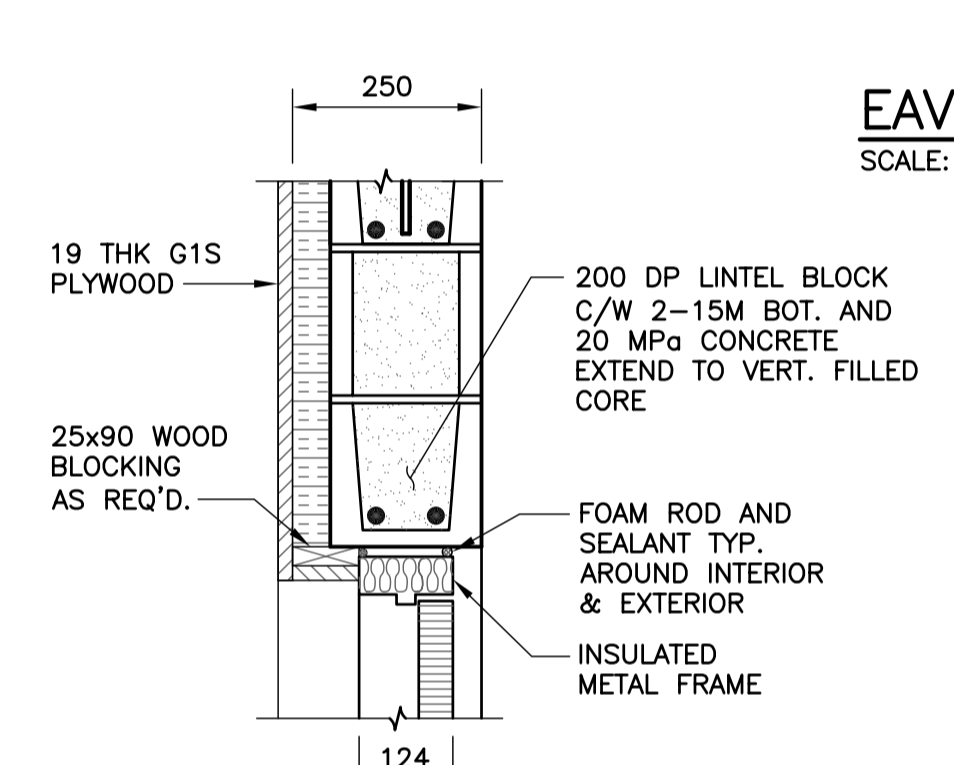
**A SECTION**  
5304 SCALE: 1:40



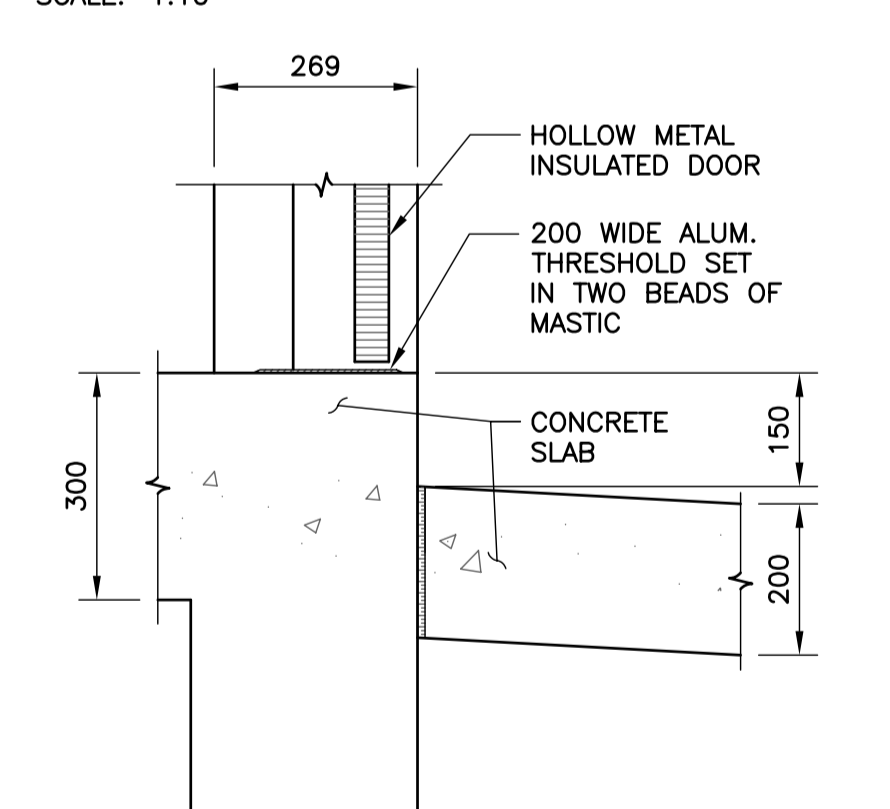
**LATCH DETAIL**  
SCALE: 1:10



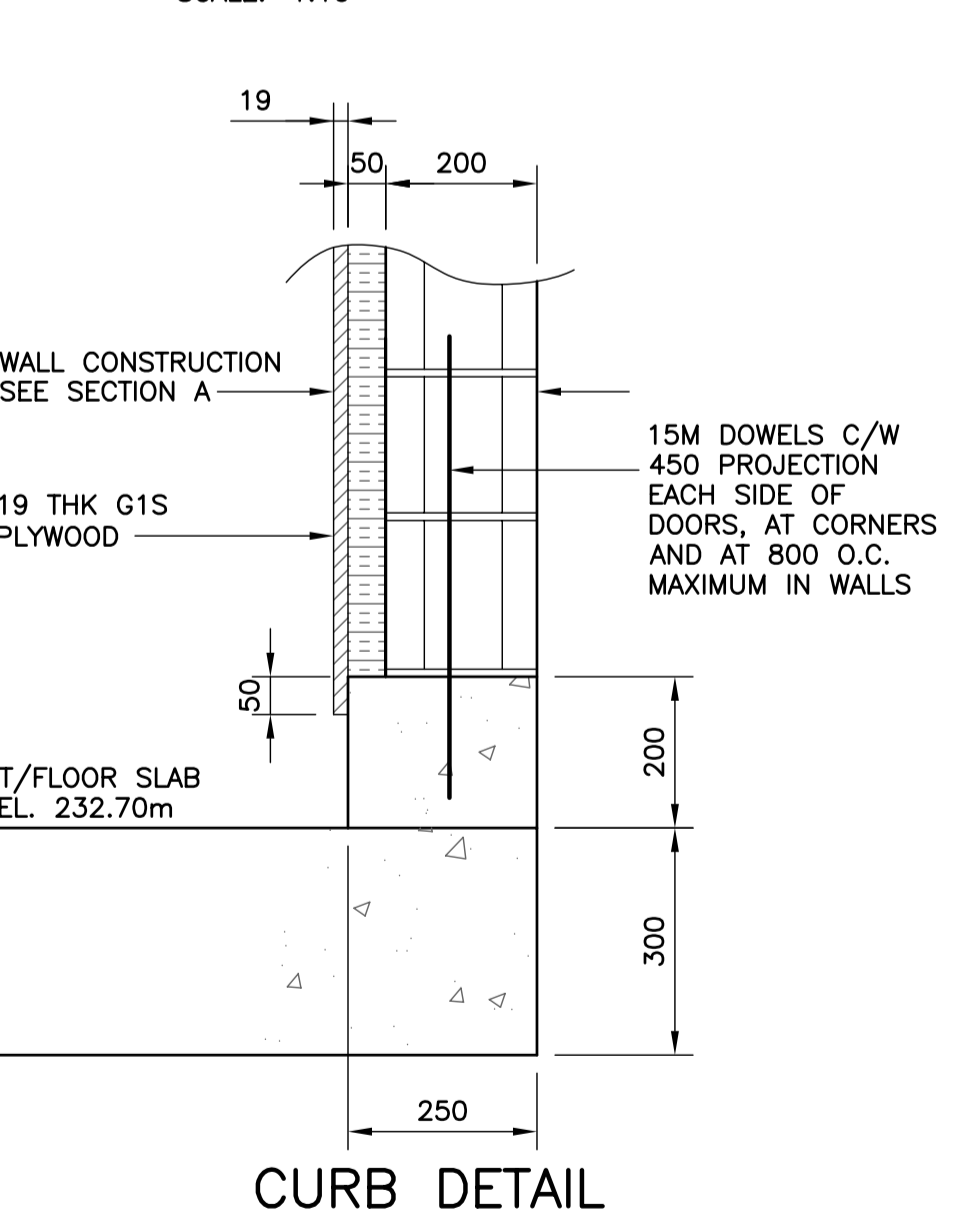
**DOOR JAMB DETAIL**  
SCALE: 1:10



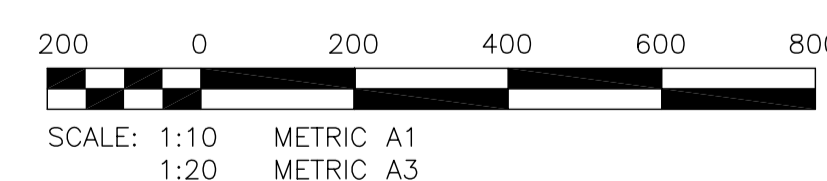
**DOOR LINTEL DETAIL**  
SCALE: 1:10



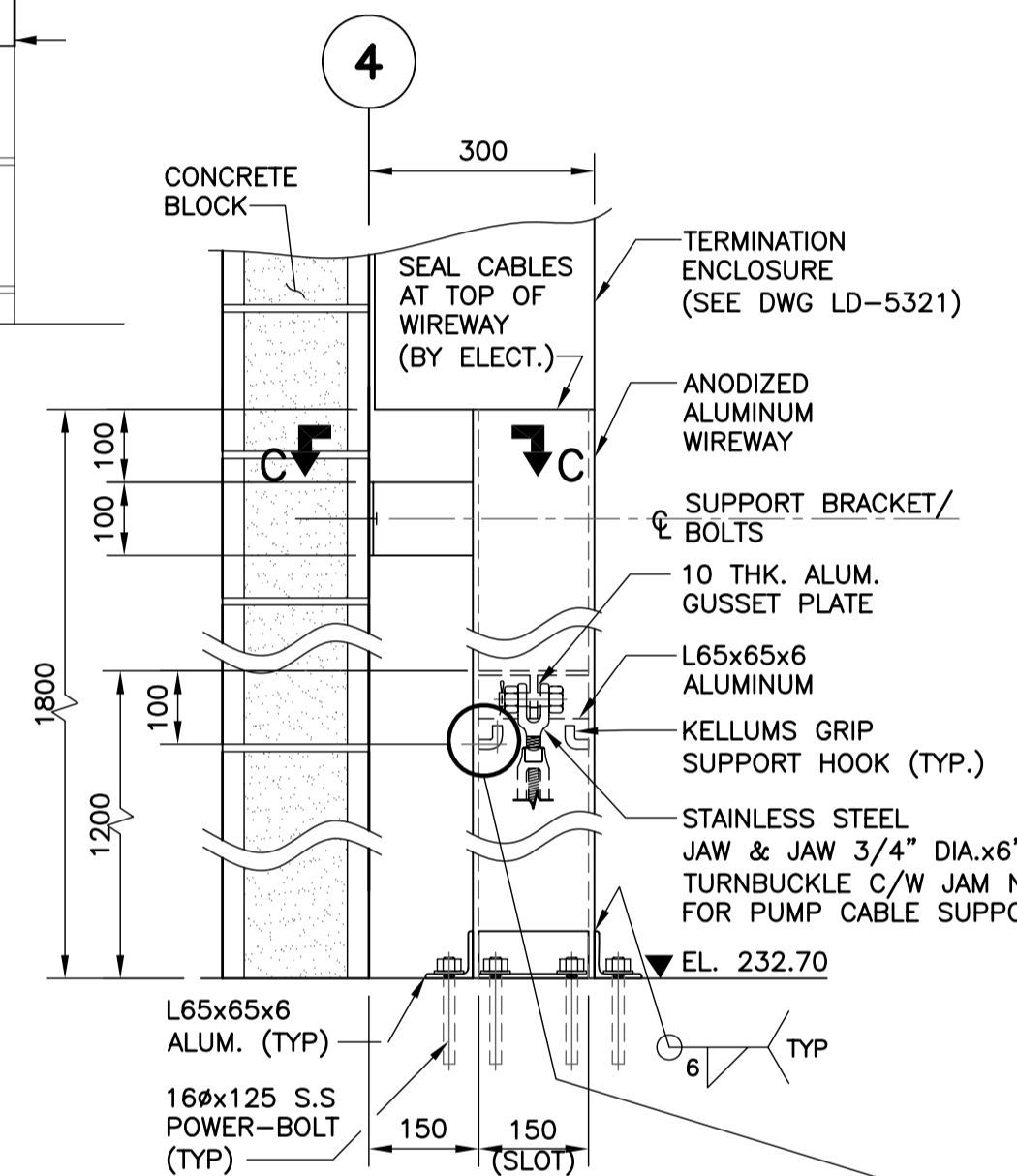
**DOOR SILL DETAIL**  
SCALE: 1:10



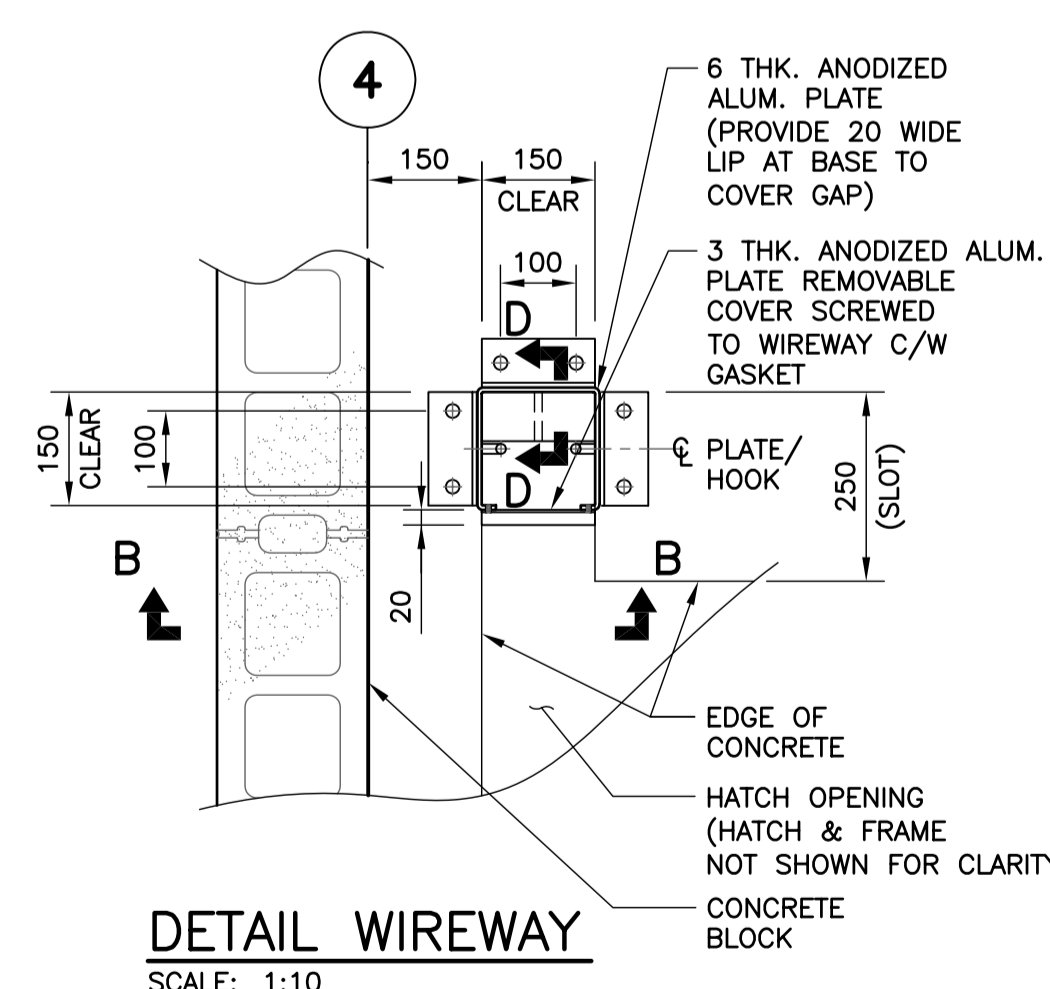
**CURB DETAIL**  
SCALE: 1:10



**EAVE DETAIL**  
SCALE: 1:10

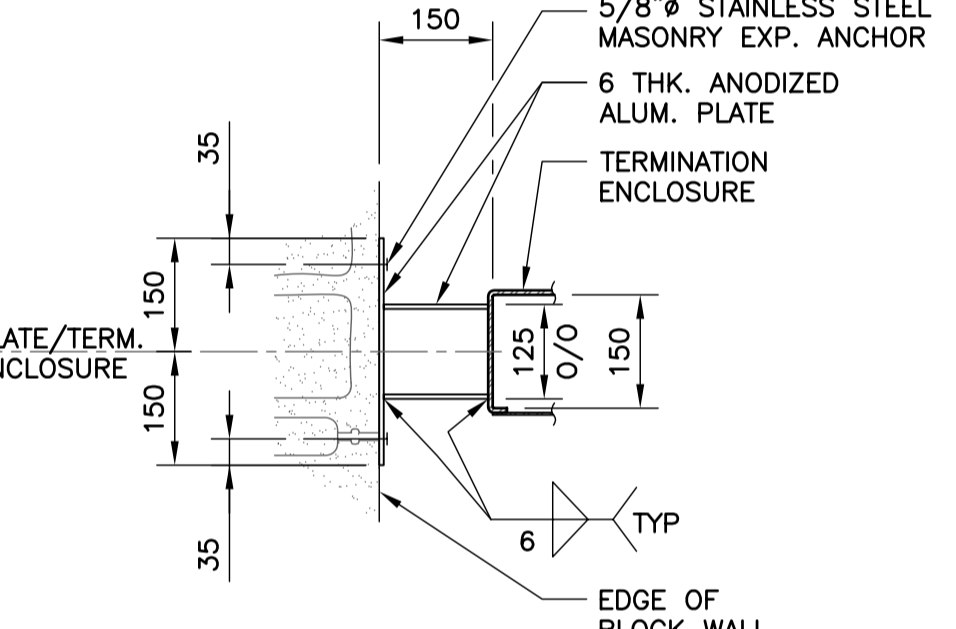


**SECTION B-B**  
SCALE: 1:10

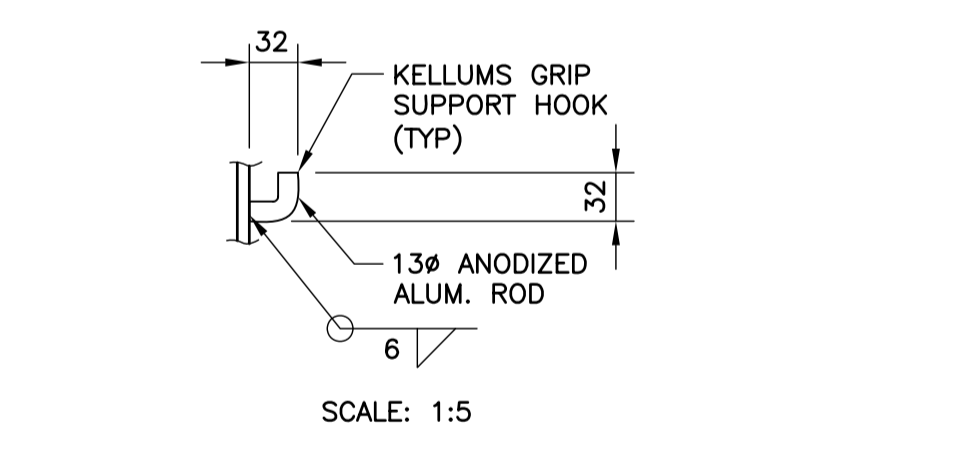


**DETAIL WIREWAY**  
SCALE: 1:10

**OVERHANG DETAIL**  
SCALE: 1:10



**SECTION C-C**  
SCALE: 1:10



**SECTION D-D**  
SCALE: 1:5

**METRIC**  
WHOLE NUMBERS INDICATE MILLIMETRES  
DECIMALIZED NUMBERS INDICATE METRES

P:\Projects\2008\08-0163-05\Doc\Control\Issues\Source\Drawings\LD-5305-R0.dwg

|  |   |   |   |                                      |   |
|--|---|---|---|--------------------------------------|---|
| LOCATION APPROVED<br>UNDERGROUND STRUCTURES<br>ORIGINAL SIGNED<br>BY DERRICK SAEDAL.<br>SUPV. U/G STRUCTURES<br>COMMITTEE DATE   | B.M. ELEV.<br>BM ELEV.                                      | DESIGNED BY<br>CMS  | <b>KGS GROUP</b><br>CONSULTING ENGINEERS                      | ENGINEER'S SEAL<br>                  | <b>THE CITY OF WINNIPEG</b><br>TRANSIT DEPARTMENT |
|  |   |   |   |                                      |   |
| NOTE:<br>LOCATION OF UNDERGROUND STRUCTURES AS SHOWN ARE BASED ON THE BEST INFORMATION AVAILABLE BUT NO GUARANTEE IS GIVEN THAT ALL EXISTING UTILITIES ARE SHOWN OR THAT THE GIVEN LOCATIONS ARE EXACT. CONFIRMATION OF EXISTENCE AND EXACT LOCATION OF ALL SERVICES MUST BE OBTAINED FROM THE INDIVIDUAL UTILITIES BEFORE PROCEEDING WITH CONSTRUCTION. | 0 ISSUED FOR TENDER 25/03/09 CMS<br>NO. REVISIONS DATE DATE | CHECKED BY<br>ORIGINAL SIGNED BY T. FROELICH.<br>APPROVED BY<br>ORIGINAL SIGNED BY C. M. SIEPMAN. | RELEASED FOR CONSTRUCTION<br>ORIGINAL SIGNED BY RANDY FINGAS. | CONSULTANT PROJECT NO.<br>08-0163-05 | SHEET 06 OF 25                                    |
|  |   |   |   |                                      | HOR. SCALE<br>VERTICAL AS NOTED                   |

