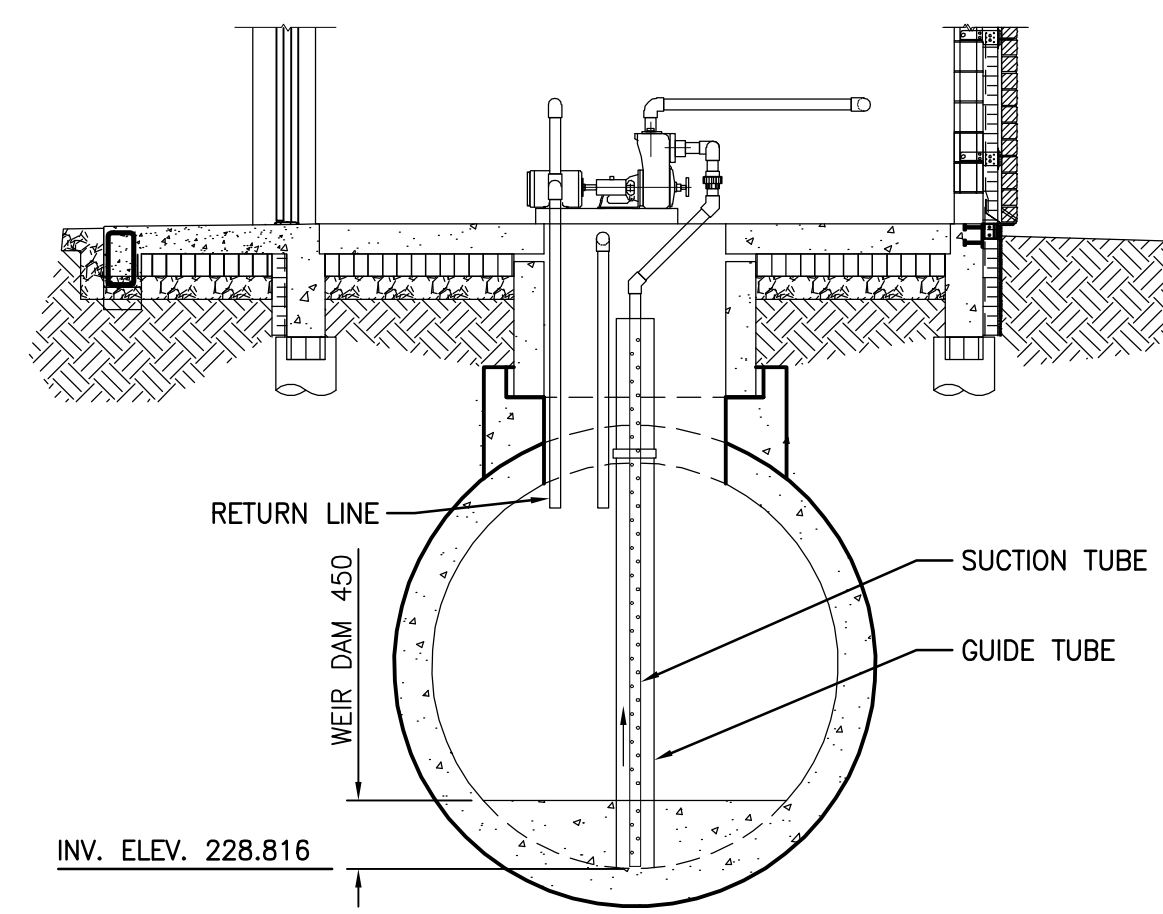
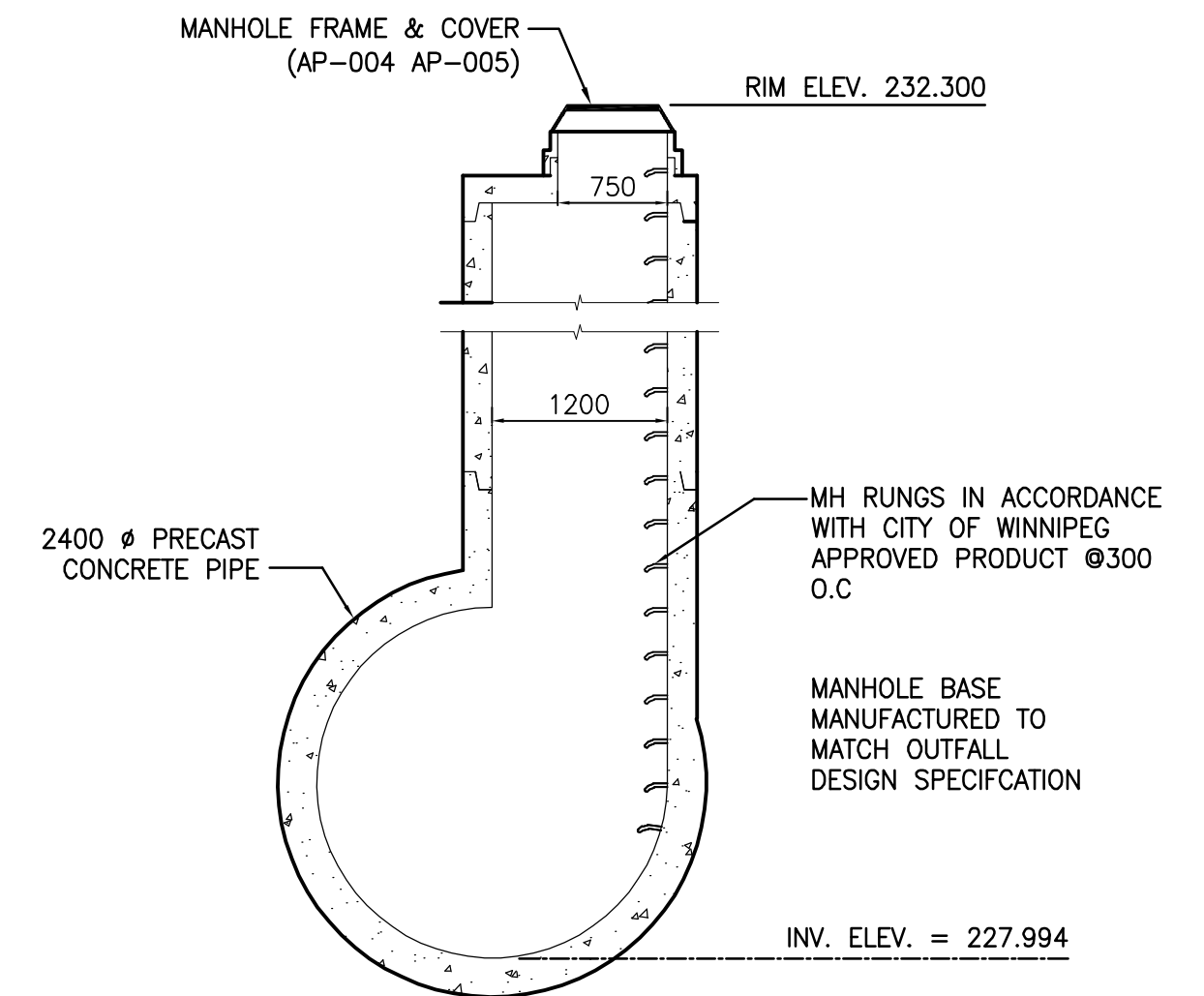


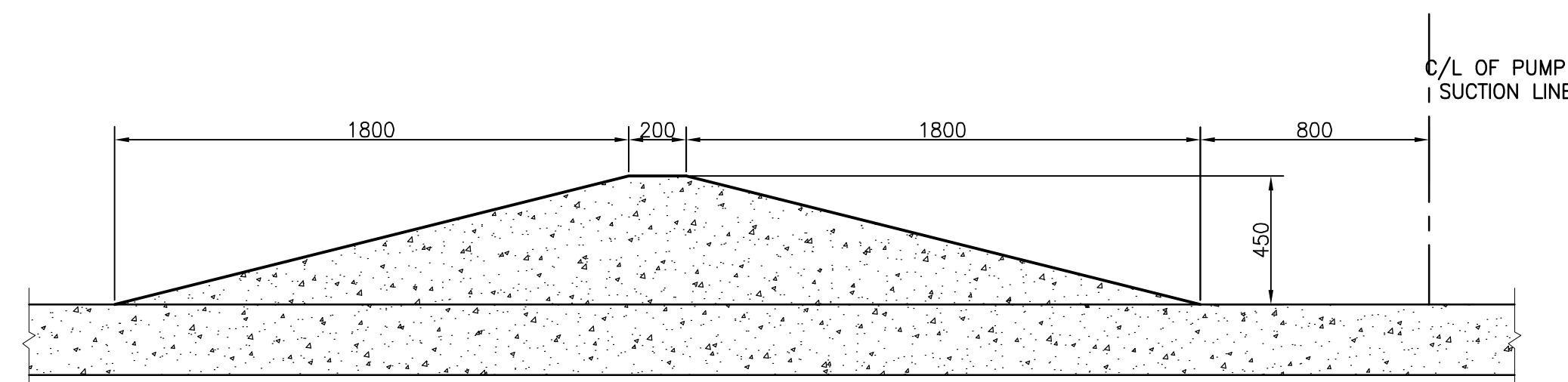
A SECTION
C0001 C0005 1:50
SAMPLE WATER PUMP SUCTION SYSTEM SECTION



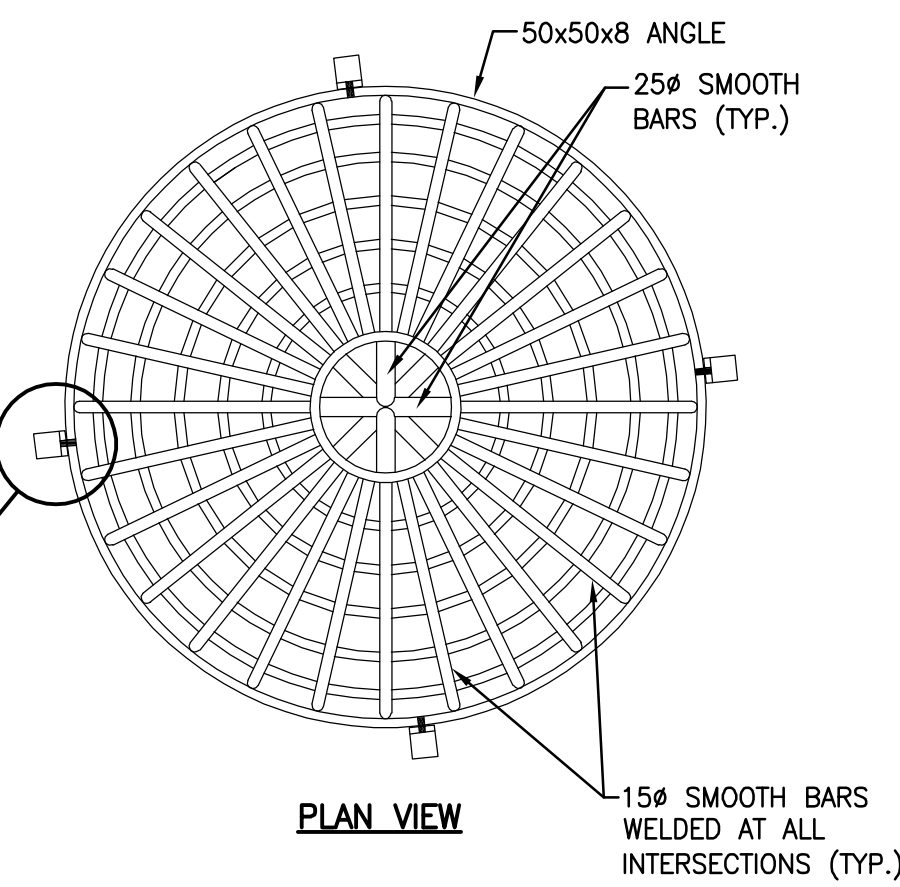
B SECTION
1:50



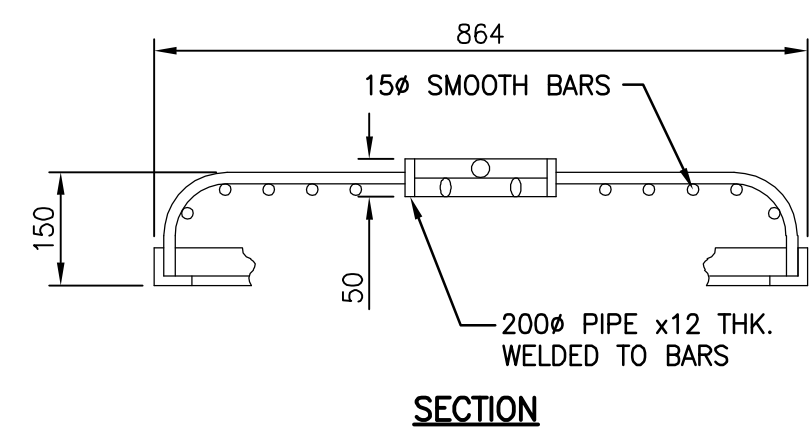
C SECTION
C0003 C0005 1:50
MANHOLE AT STA. 13+40 SECTION



1 DETAIL
1:20



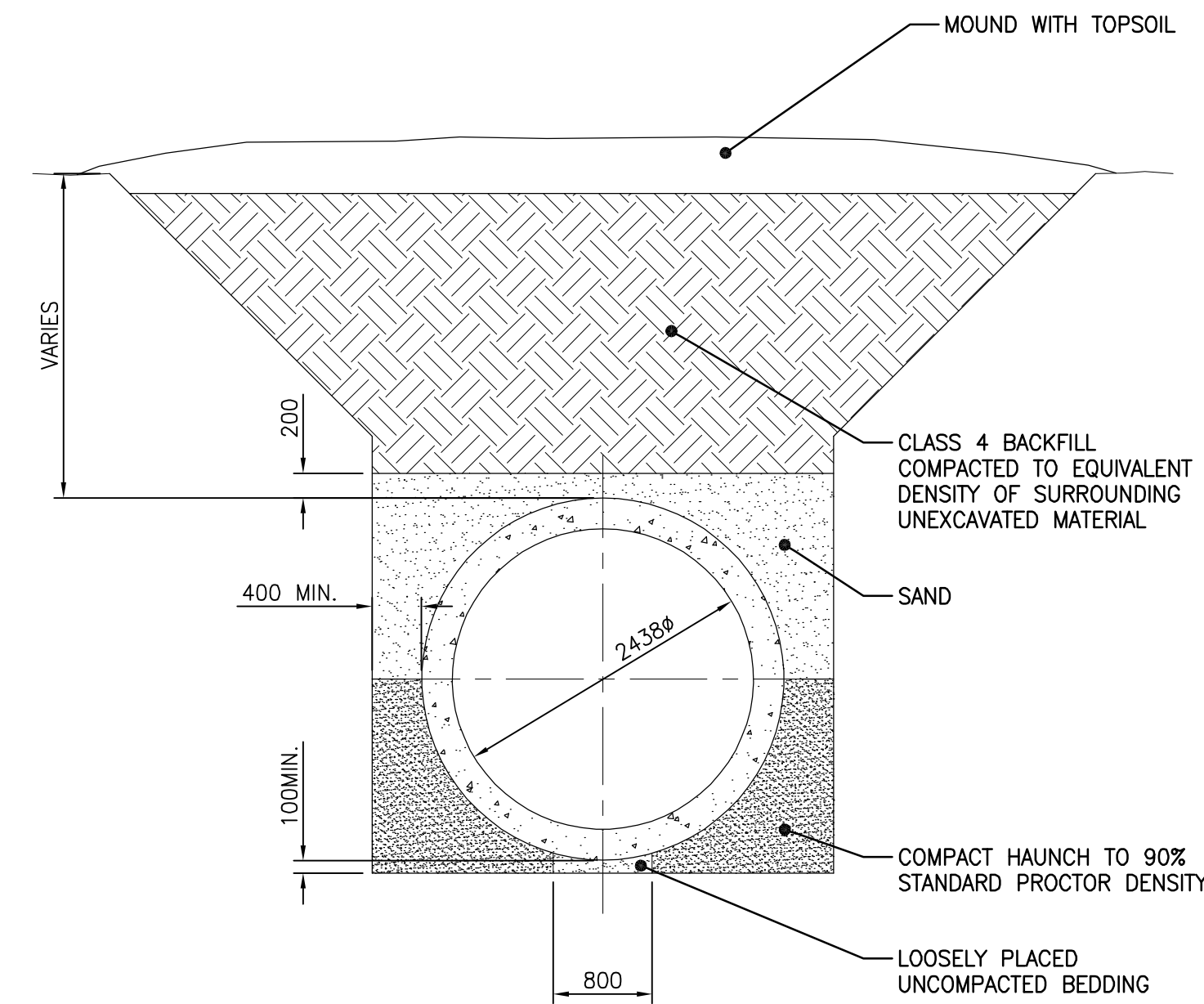
PLAN VIEW



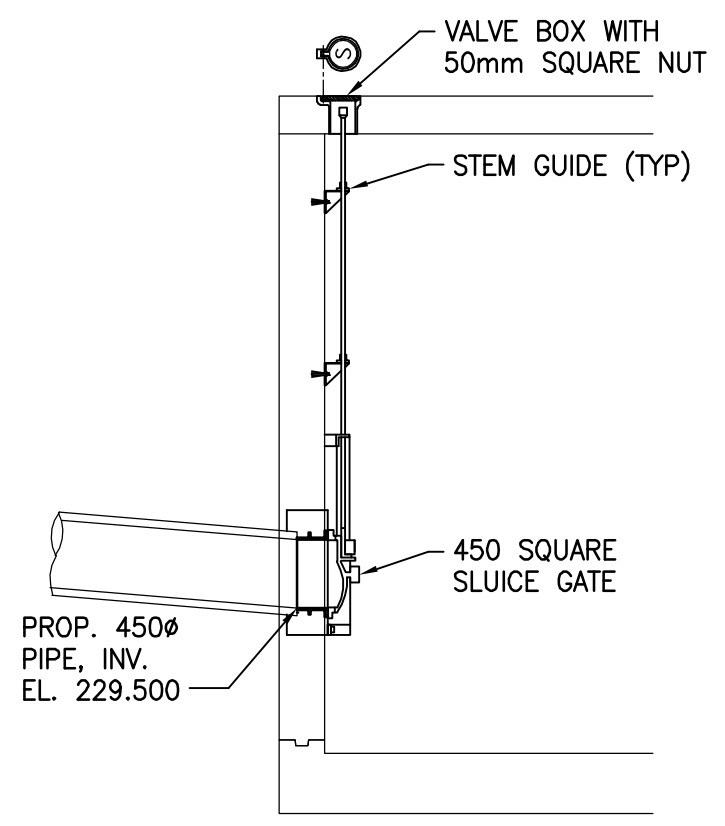
SECTION

NOTES:
DITCH INLET GRATE TO BE SHOPOST IRONWORKS MK. A1 OR APPROVED EQUAL. GALVANIZE ENTIRE ASSEMBLY AFTER FABRICATION.

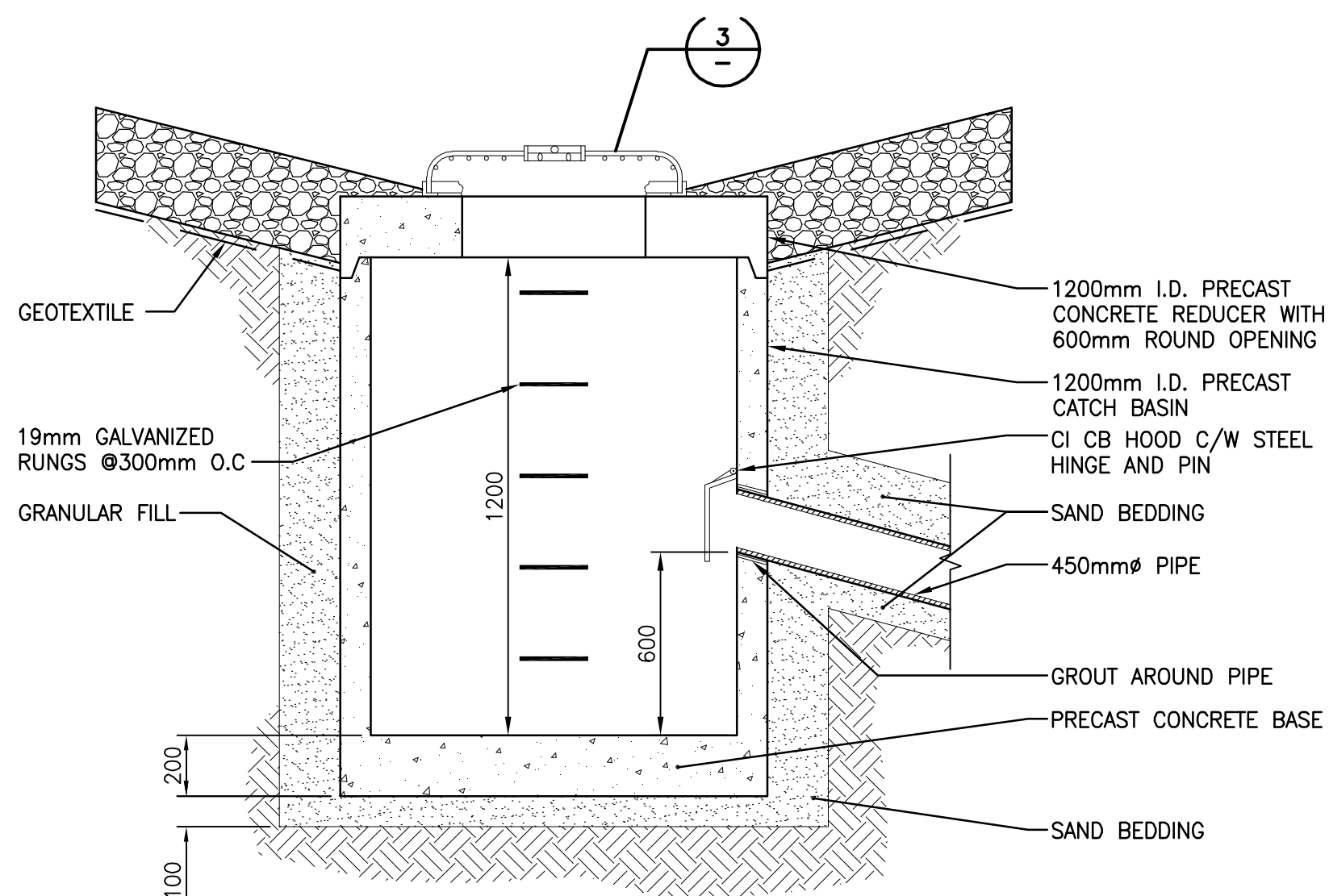
3 CATCHBASIN GRATE DETAIL
1:100



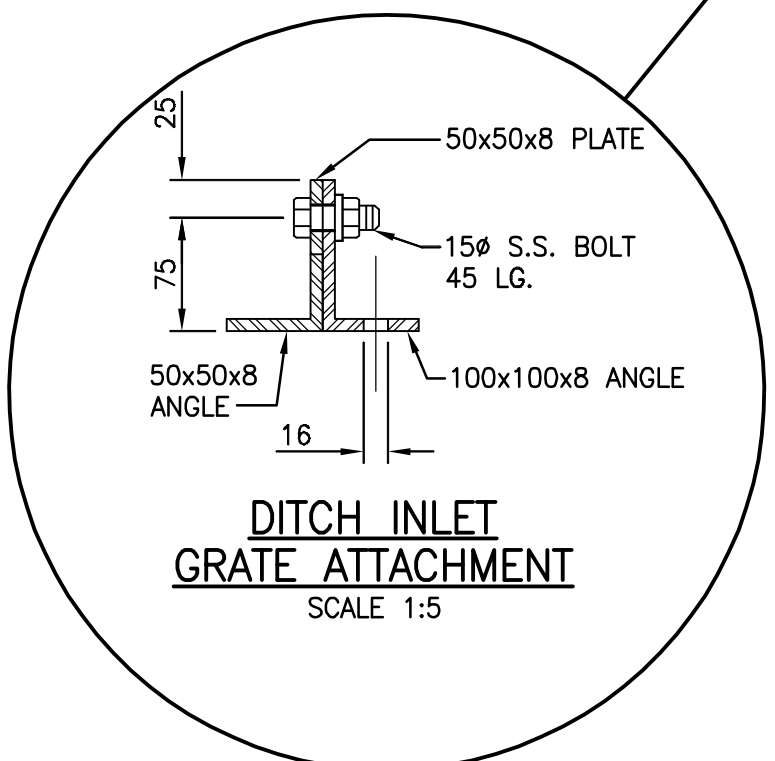
TYPICAL TRENCH DETAIL
1:50



4 SLUICE GATE DETAIL
S0005 C0005 1:50



2 CATCHBASIN SECTION
C0004 C0005 1:50



DITCH INLET GRATE ATTACHMENT
SCALE 1:5

83066 - N. side Frohlicher Rd. 0.25km W. of St. Mary's Rd., T411, on top of 0.05m dia x 1.2m iron pipe (near conc. gate chamber), 7.1m N. of N. side of 9.2m W. of W. side of conc. gate chamber 0.25km W. of St. Mary's Rd.

LOCATION APPROVED UNDERGROUND STRUCTURES

NO.	REVISIONS	DATE	BY
1	REPLACED KNIFE GATE WITH SLUICE	09.11.29	
A	ISSUED FOR TENDER	09.10.13	

NO.	REVISIONS	DATE	BY
1	REPLACED KNIFE GATE WITH SLUICE	09.11.29	
A	ISSUED FOR TENDER	09.10.13	

Stantec Consulting Ltd. 905 Waverley Street, Winnipeg, Manitoba Tel 204-489-5900 Fax 204-453-9012		ENGINEER'S SEAL ORIGINAL SEALED BY H.A. KATZ P. ENG. 09/10/13
DESIGNED BY DRAWN BY HOR. SCALE: 1:50 VERTICAL:	CHECKED BY APPROVED BY RELEASED FOR CONSTRUCTION:	BID OPPORTUNITY NO. 709-2009
NO. 1301 Expiry: April 30, 2010	DATE 09.09.21	CITY DRAWING NUMBER 1-0102A-C0005-001-01

THE CITY OF WINNIPEG
WATER AND WASTE DEPARTMENT

Winnipeg

SOUTH END WATER POLLUTION CONTROL CENTRE
INSTALLATION OF OUTFALL PIPE,
EFFLUENT SAMPLING FACILITY AND ASSOCIATED WORKS
SAMPLE WATER PUMP SUCTION SYSTEM DETAILS
MANHOLE AND TRENCH DETAILS

CITY DRAWING NUMBER
1-0102A-C0005-001-01

SHEET 1 OF 1