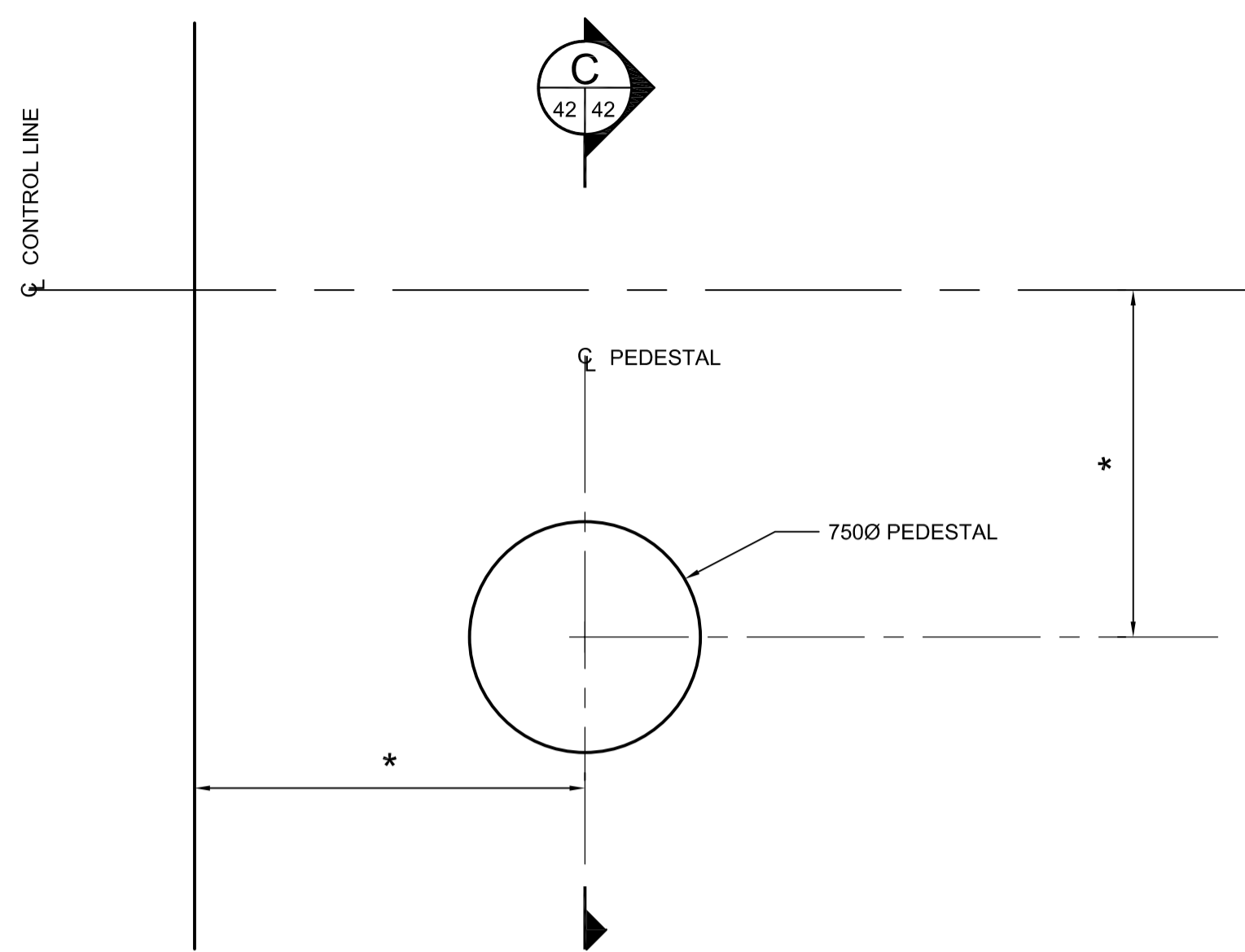


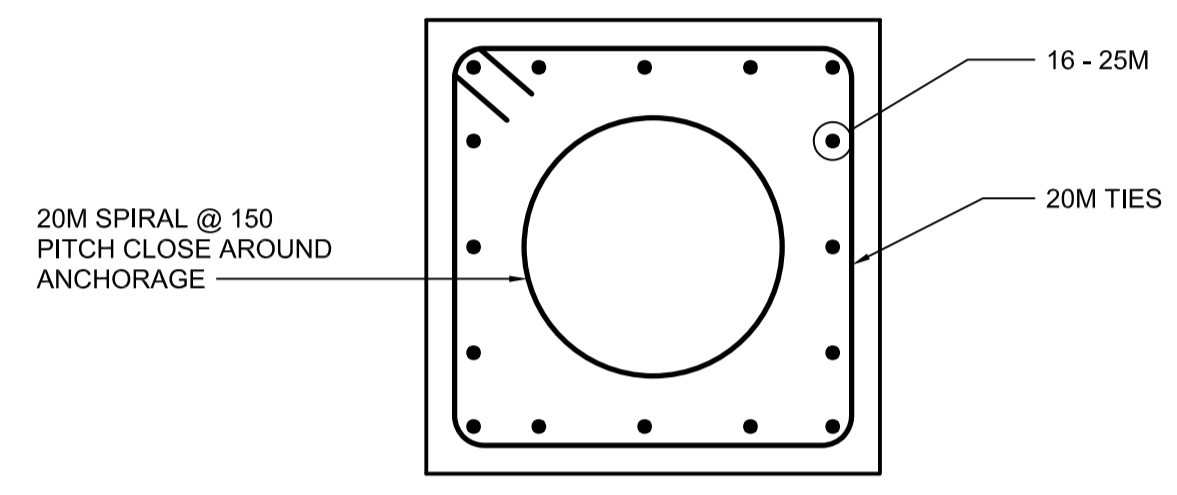
**DETAIL 1**  
SCALE 1:20

\* FIELD LOCATE TO SUIT EXISTING LIGHTING

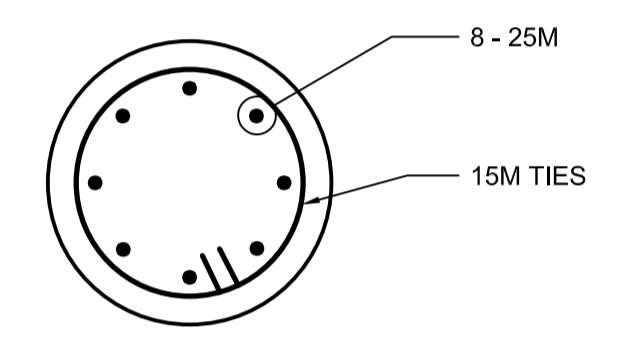


**DETAIL 2**  
SCALE 1:20

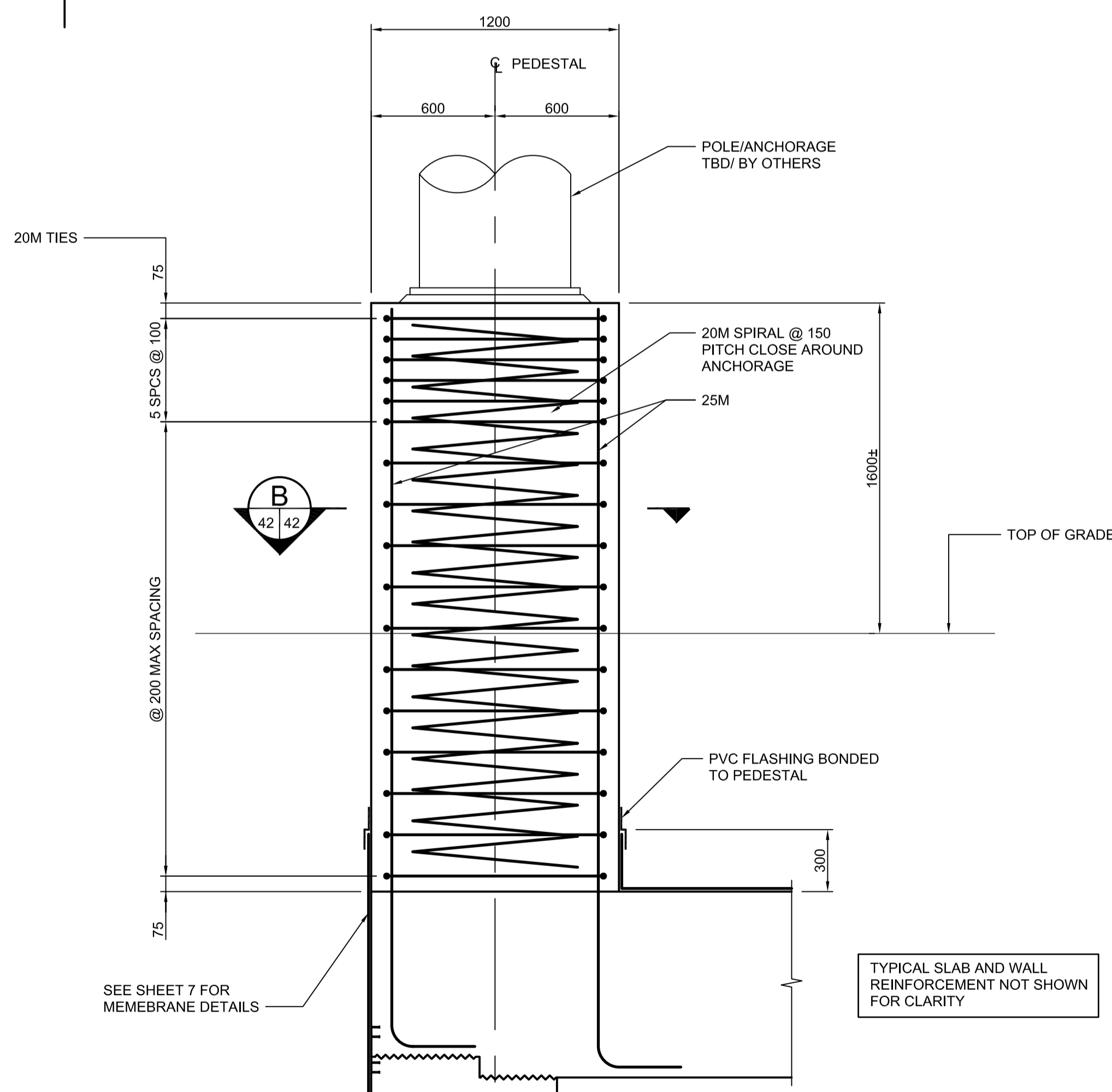
\* FIELD LOCATE TO SUIT EXISTING LIGHTING



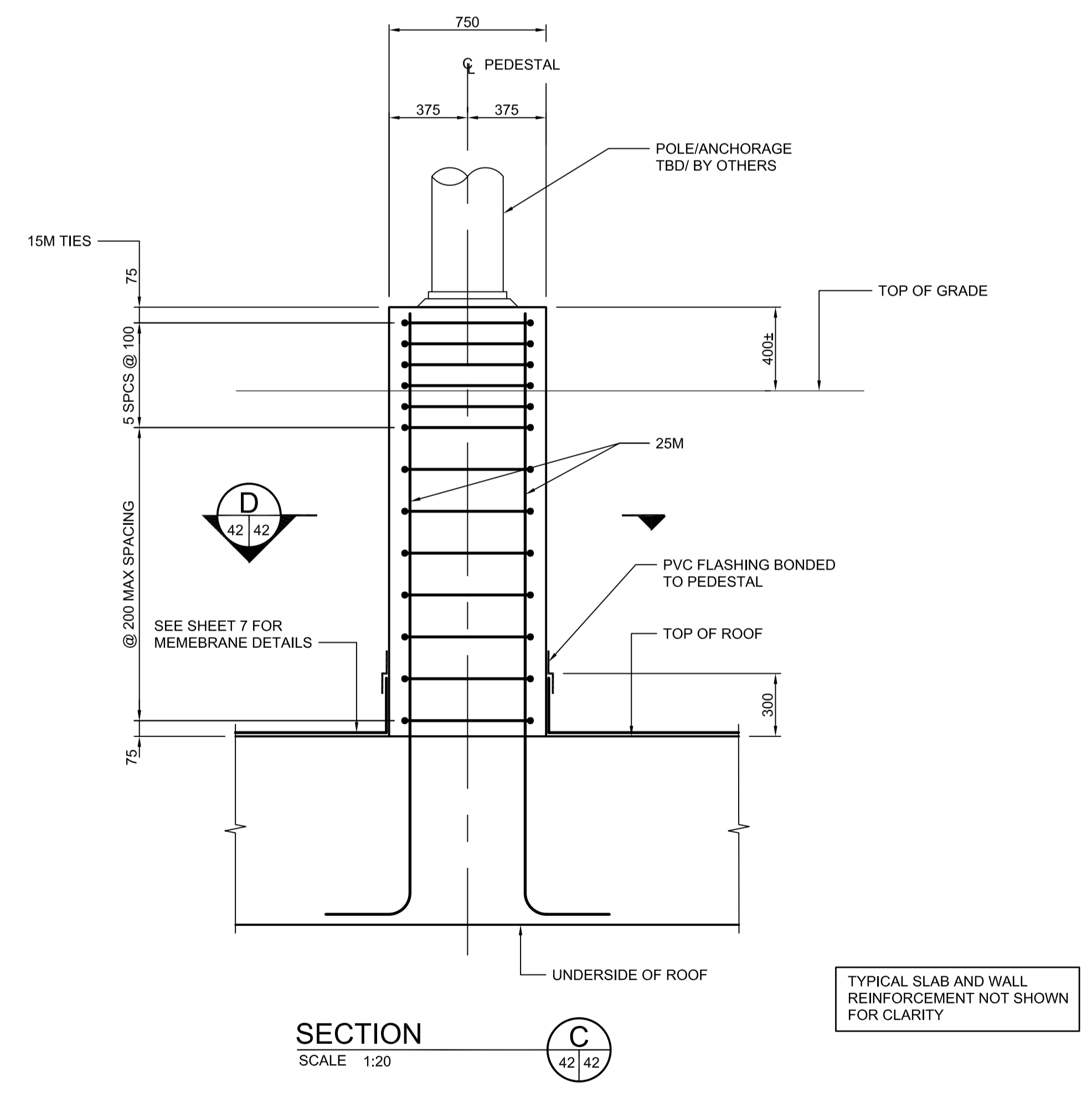
**SECTION B**  
SCALE 1:20



**SECTION D**  
SCALE 1:20



**SECTION A**  
SCALE 1:20



**SECTION C**  
SCALE 1:20

TYPICAL SLAB AND WALL REINFORCEMENT NOT SHOWN FOR CLARITY

TYPICAL SLAB AND WALL REINFORCEMENT NOT SHOWN FOR CLARITY

LOCATION UNDERGROUND	APPROVED STRUCTURES	B.M. ELEV.
SUPV. U/G STRUCTURES COMMITTEE	DATE	
NOTE: LOCATION OF UNDERGROUND STRUCTURES AS SHOWN ARE BASED ON THE BEST INFORMATION AVAILABLE BUT NO GUARANTEE IS GIVEN THAT ALL EXISTING UTILITIES ARE SHOWN OR THAT THE GIVEN LOCATIONS ARE EXACT. CONFIRMATION OF EXISTENCE AND EXACT LOCATION OF ALL SERVICES MUST BE OBTAINED FROM THE INDIVIDUAL UTILITIES BEFORE PROCEEDING WITH CONSTRUCTION.		
NO.	REVISIONS	DATE BY
1	ISSUED WITH ADDENDUM #4	11/04/2009 RCB
0	ISSUED FOR TENDER	10/13/2009 RCB

DESIGNED BY	KGW
DRAWN BY	RCB
CHECKED BY	KGW
APPROVED BY	DPK
HOR. SCALE	AS SHOWN
VERTICAL SCALE	AS SHOWN
DATE	2009/06/24

**DILLON CONSULTING**

RELEASED FOR CONSTRUCTION

ENGINEER'S SEAL

PROVINCE OF MANITOBA

ORIGINAL SIGNED BY:  
K. G. WILLIS  
10-13-2009

REGISTERED PROFESSIONAL ENGINEER

CONSULTANT PROJECT NO.  
088813

**THE CITY OF WINNIPEG TRANSIT DEPARTMENT**

SOUTHWEST RAPID TRANSIT CORRIDOR - STAGE 1  
TRANSITWAY TUNNEL AT CN RIVERS SUBDIVISION  
MILEAGE 1.38 & ASSOCIATED WORKS

CITY DRAWING NUMBER  
U237-09-42

SHEET 42 OF 73

CONSULTANT DRAWING NUMBER  
C4-S1119-T

**APEGM**

Certificate of Authorization

**Dillon Consulting Limited (MB)**

No. 1789 Date: OCTOBER 13, 2009

G:\csm\088813\Contract\Contract\_1\Current\C4-S1119-P.dwg