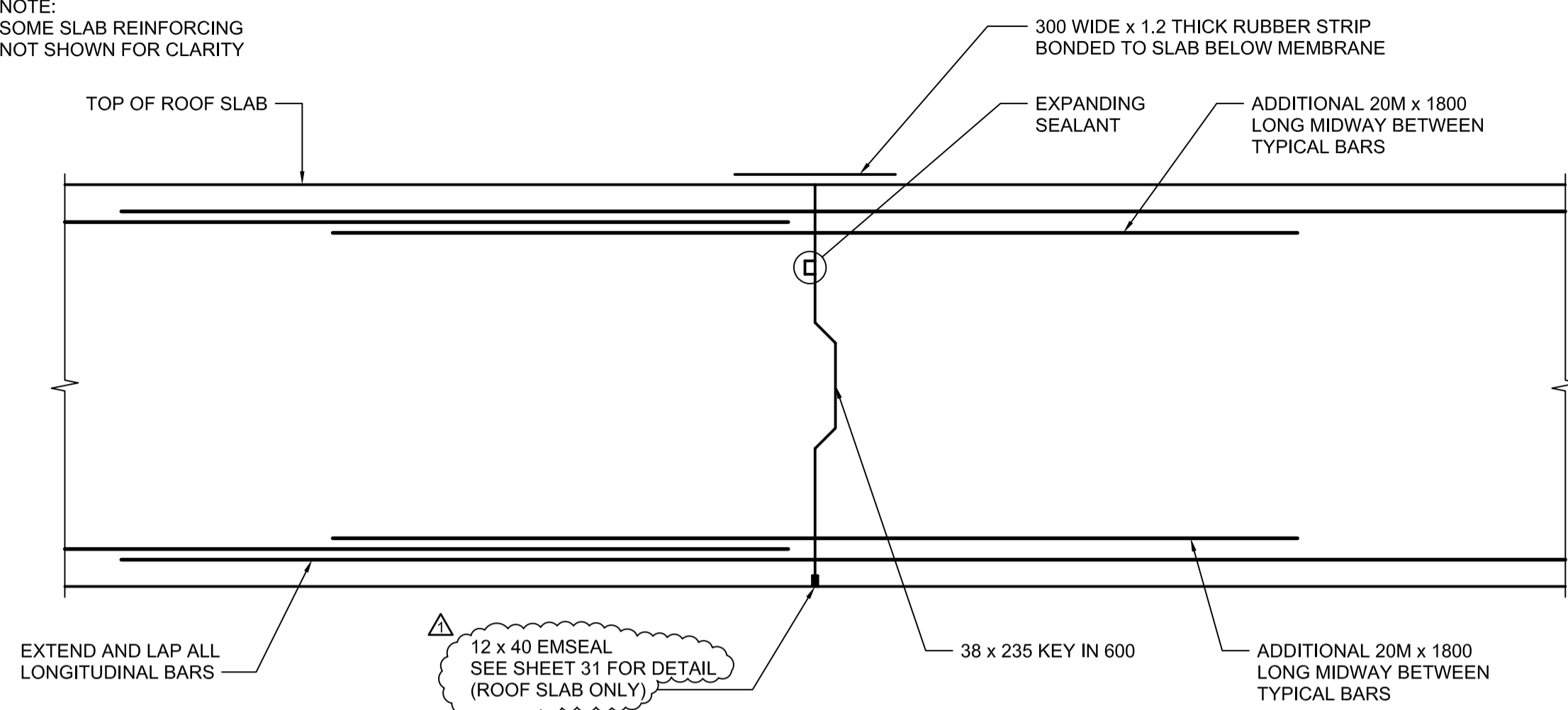
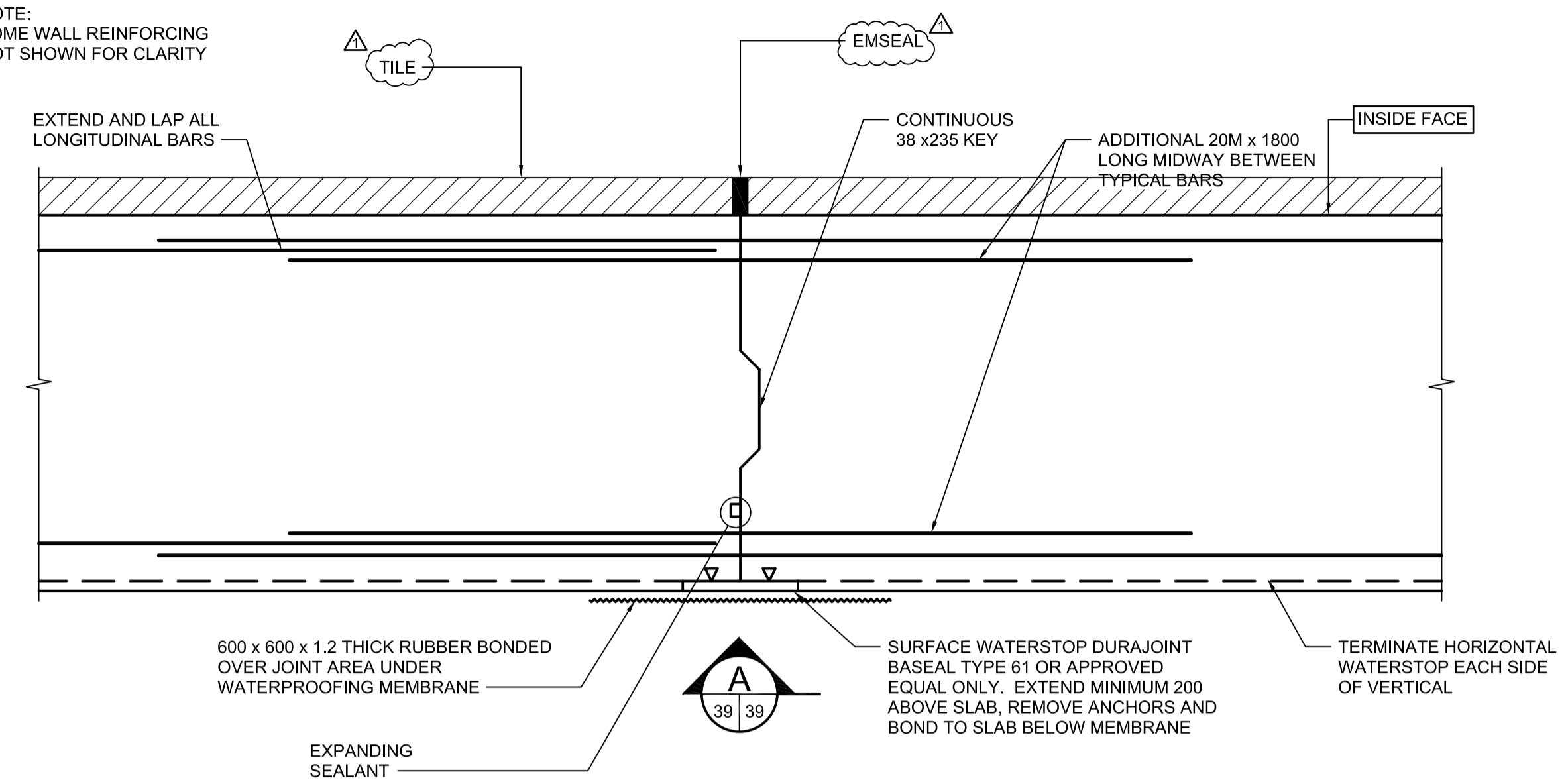


NOTE:
SOME SLAB REINFORCING
NOT SHOWN FOR CLARITY

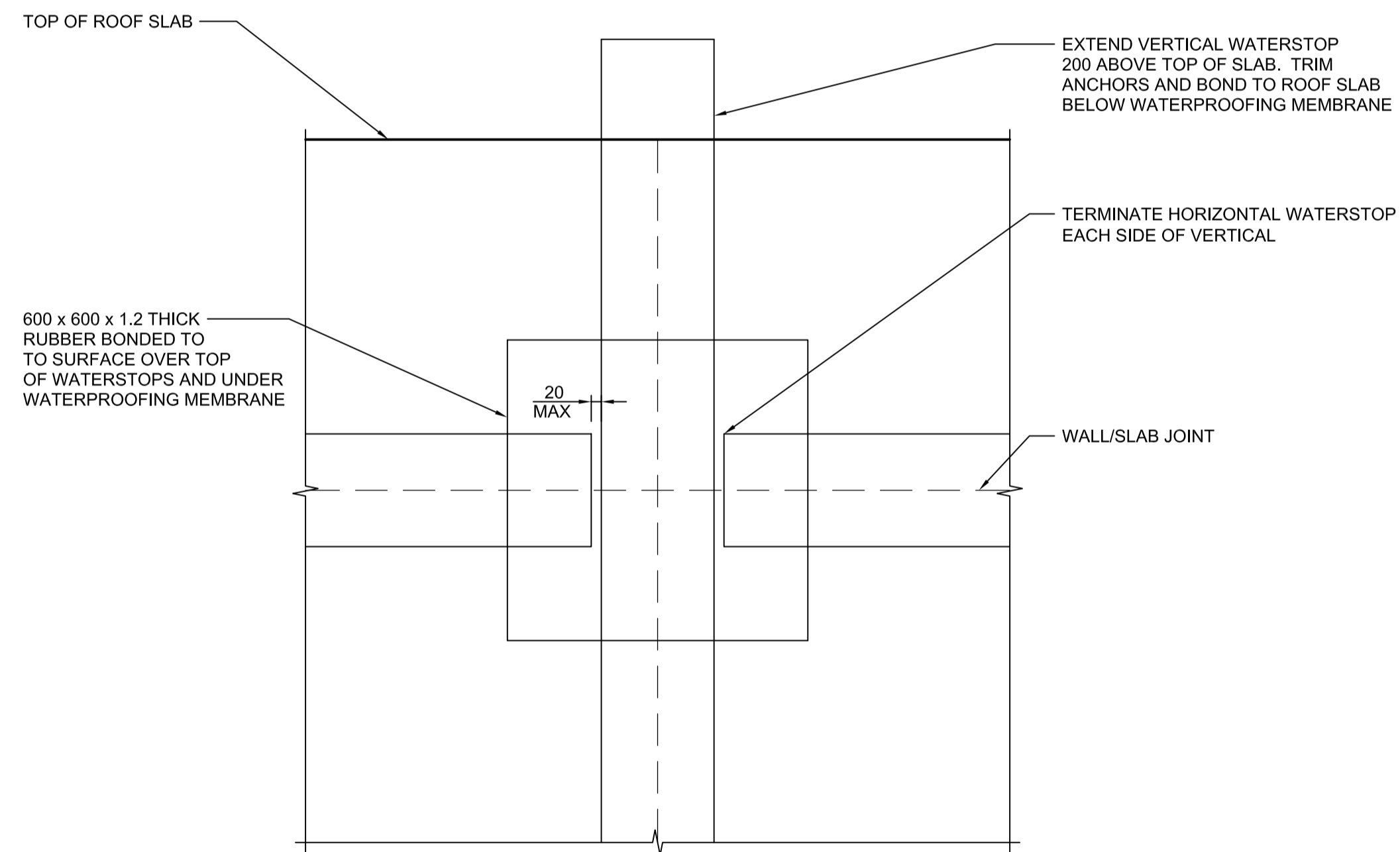


TYPICAL SLAB CONSTRUCTION JOINT
SCALE 1:10

NOTE:
SOME WALL REINFORCING
NOT SHOWN FOR CLARITY



TYPICAL WALL CONSTRUCTION JOINT
SCALE 1:10



ELEVATION
SCALE 1:10

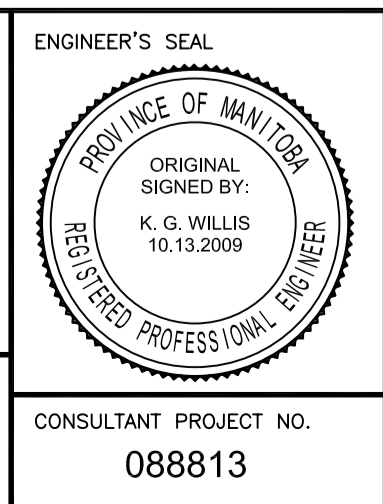
G:\csm\088813\Contract\Contract_1\Current\C4-S1116-P.dwg



LOCATION UNDERGROUND	APPROVED STRUCTURES	B.M. ELEV.	DESIGNED BY	KGW
SUPV. U/G STRUCTURES COMMITTEE	DATE		DRAWN BY	RCB
NOTE:			CHECKED BY	KGW
LOCATION OF UNDERGROUND STRUCTURES AS SHOWN ARE BASED ON THE BEST INFORMATION AVAILABLE BUT NO GUARANTEE IS GIVEN THAT ALL EXISTING UTILITIES ARE SHOWN OR THAT THE GIVEN LOCATIONS ARE EXACT. CONFIRMATION OF EXISTENCE AND EXACT LOCATION OF ALL SERVICES MUST BE OBTAINED FROM THE INDIVIDUAL UTILITIES BEFORE PROCEEDING WITH CONSTRUCTION.			APPROVED BY	DPK
1	ISSUED WITH ADDENDUM #4	11/04/2009	RHB	
0	ISSUED FOR TENDER	10/13/2009	RCB	
NO.	REVISIONS	DATE	BY	DATE
				2009/06/24

RELEASING FOR CONSTRUCTION	DATE	2009/06/24
----------------------------	------	------------

ENGINEER'S SEAL	PROVINCE OF MANITOBA
ORIGINAL SIGNED BY:	K. G. WILLIS
REGISTERED PROFESSIONAL ENGINEER	10-13-2009
CONSULTANT PROJECT NO.	088813



SOUTHWEST RAPID TRANSIT CORRIDOR - STAGE 1 TRANSITWAY TUNNEL AT CN RIVERS SUBDIVISION MILEAGE 1.38 & ASSOCIATED WORKS		CITY DRAWING NUMBER U237-09-39
CONSTRUCTION JOINT DETAILS		SHEET 39 OF 73
		CONSULTANT DRAWING NUMBER C4-S1116-T