

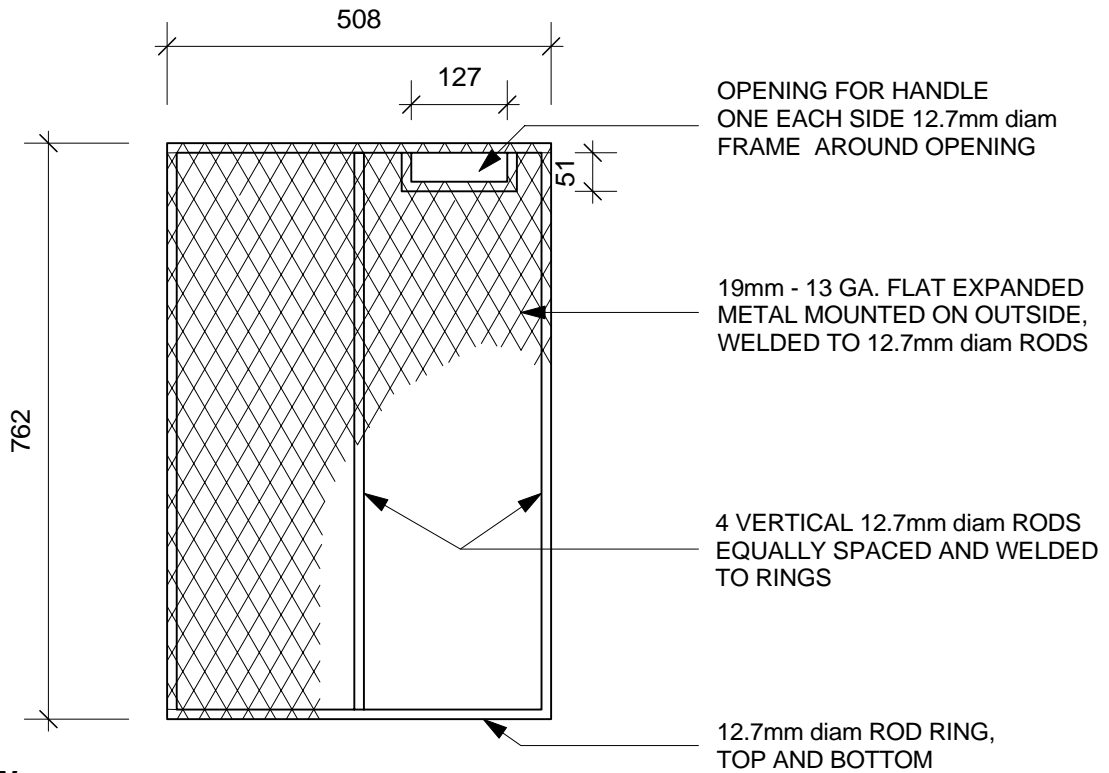
Drawing Title:

Drawing No:

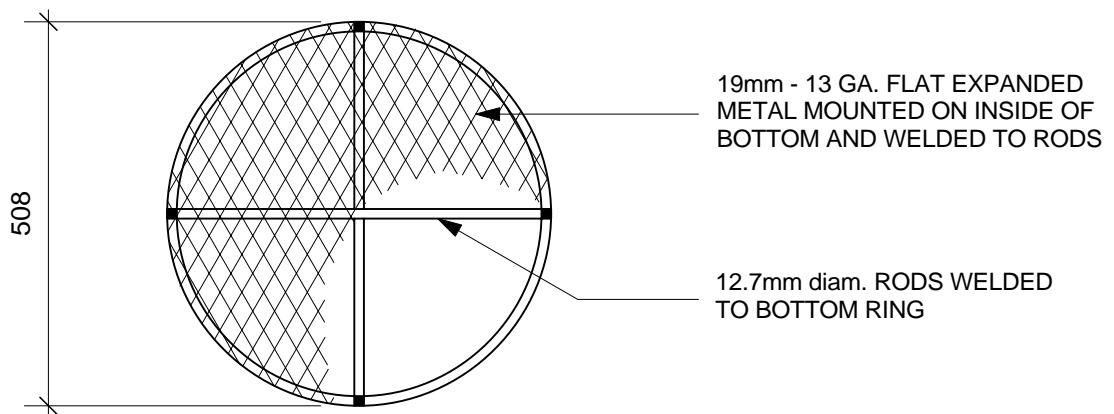
WASTE RECEPTACLE EXPANDED METAL BASKET

SCD-106

Product # 52501051



SIDE VIEW



BOTTOM VIEW

NOTE:
APPLY ONE COAT OF METAL
PRIMER AND ONE COAT OF
ALUMINUM PAINT.

DIMENSIONS SHOWN ARE IN MILLIMETRES UNLESS OTHERWISE SPECIFIED

DATE: July 1, 2004
SCALE: N.T.S.
DRAWN BY: ST

The City of Winnipeg
Planning, Property and Development Department
Planning and Land Use Division
Unit 15 - 30 Fort Street, Winnipeg, MB, R3C 4X5

