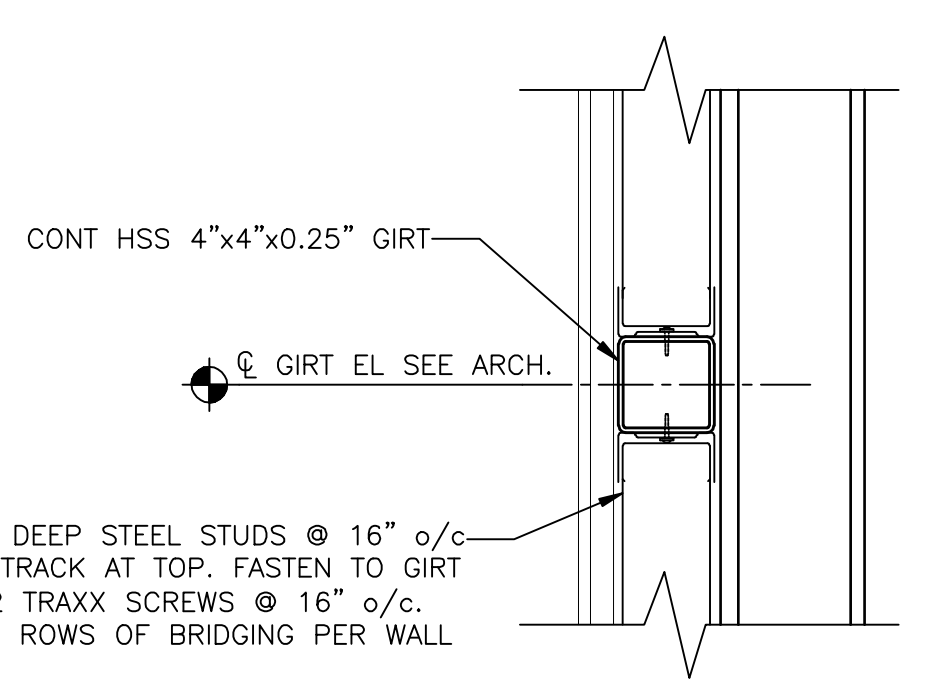
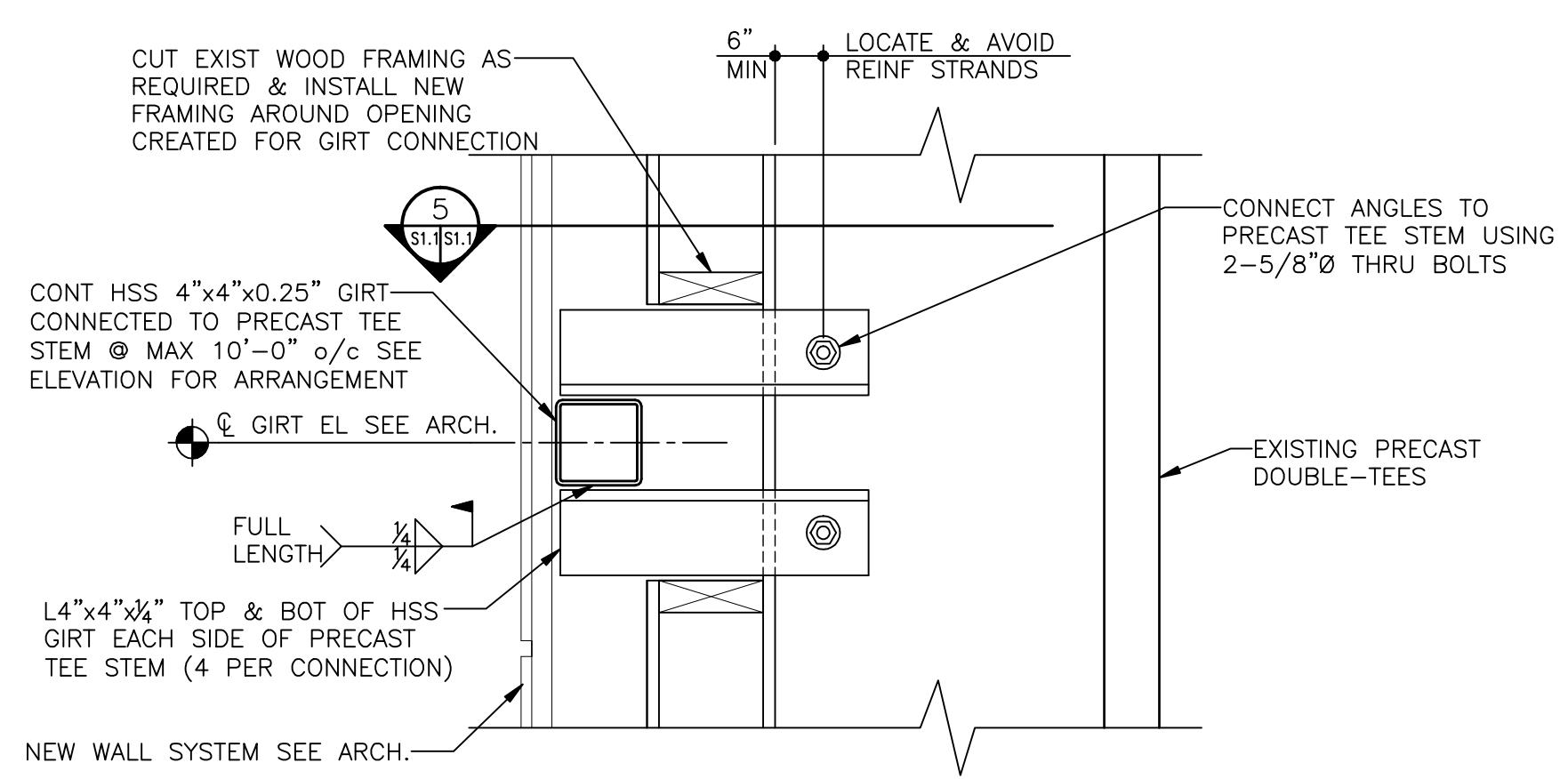


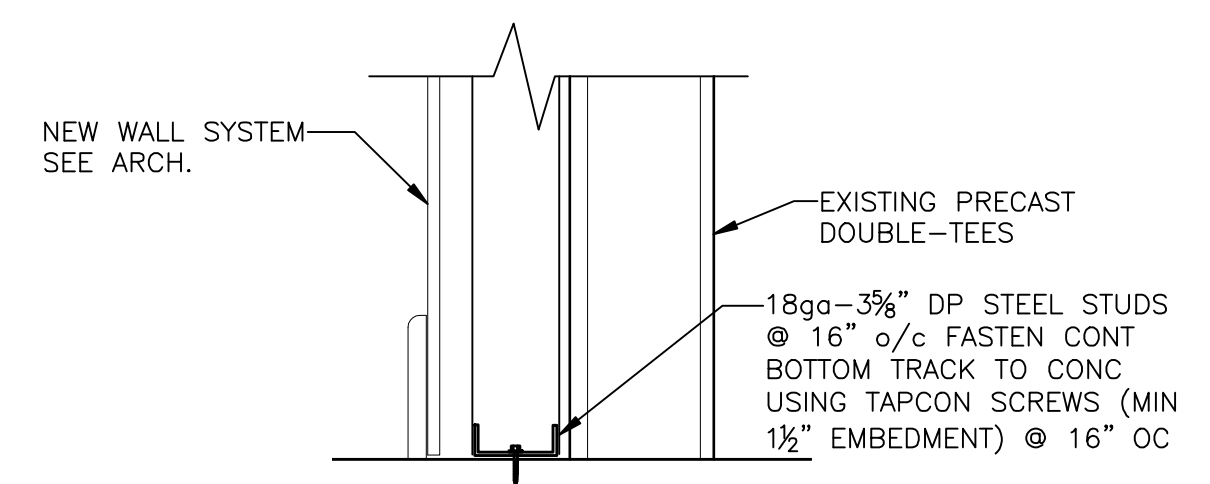
1 TOP GIRT DETAIL
SCALE: 1 1/2"=1'-0"



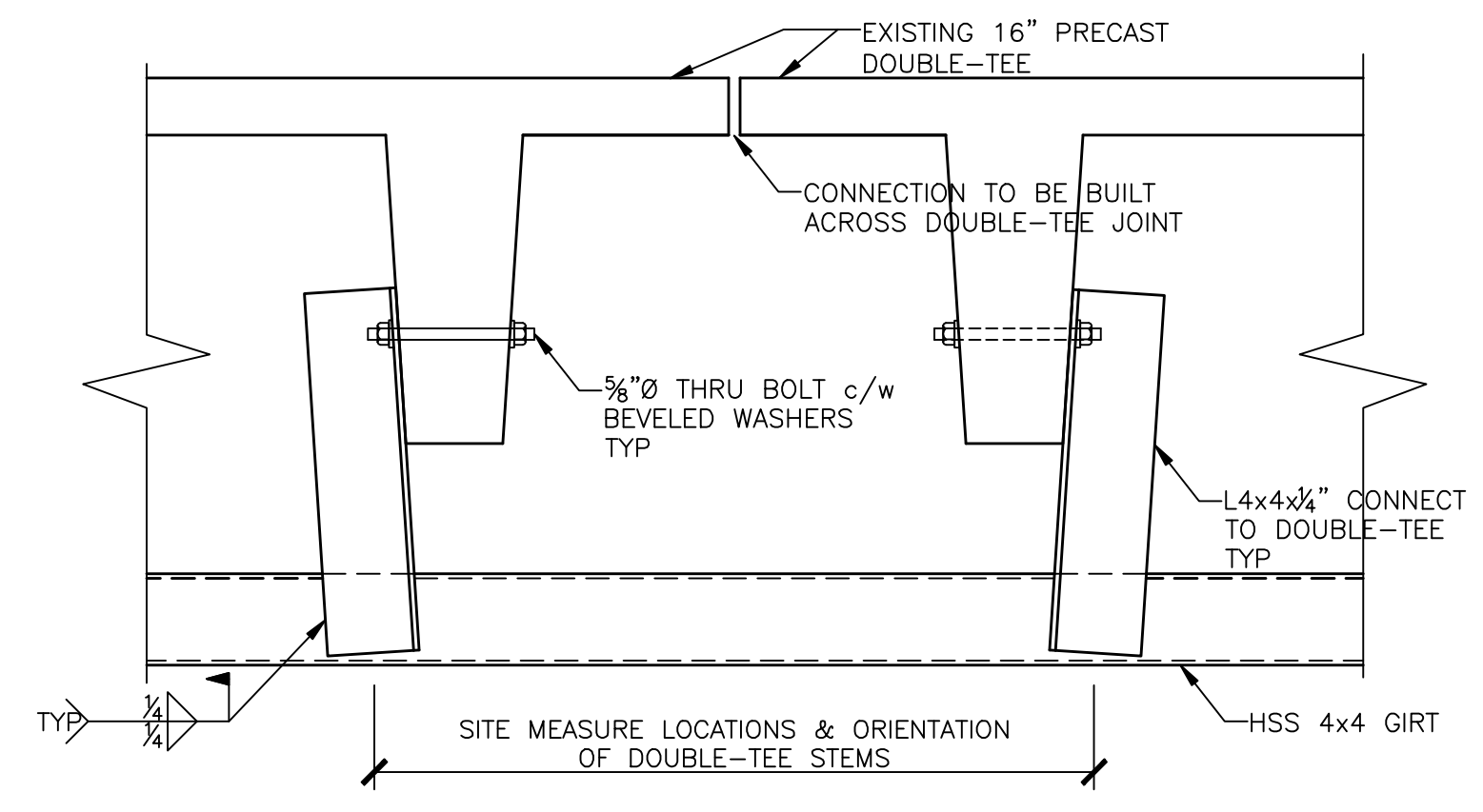
2 TYPICAL GIRT DETAIL - BETWEEN SUPPORT CONNECTIONS
SCALE: 1 1/2"=1'-0"



3 TYPICAL GIRT DETAIL - AT SUPPORT CONNECTIONS
SCALE: 1 1/2"=1'-0"



4 WALL BASE CONNECTION DETAIL
SCALE: 1 1/2"=1'-0"

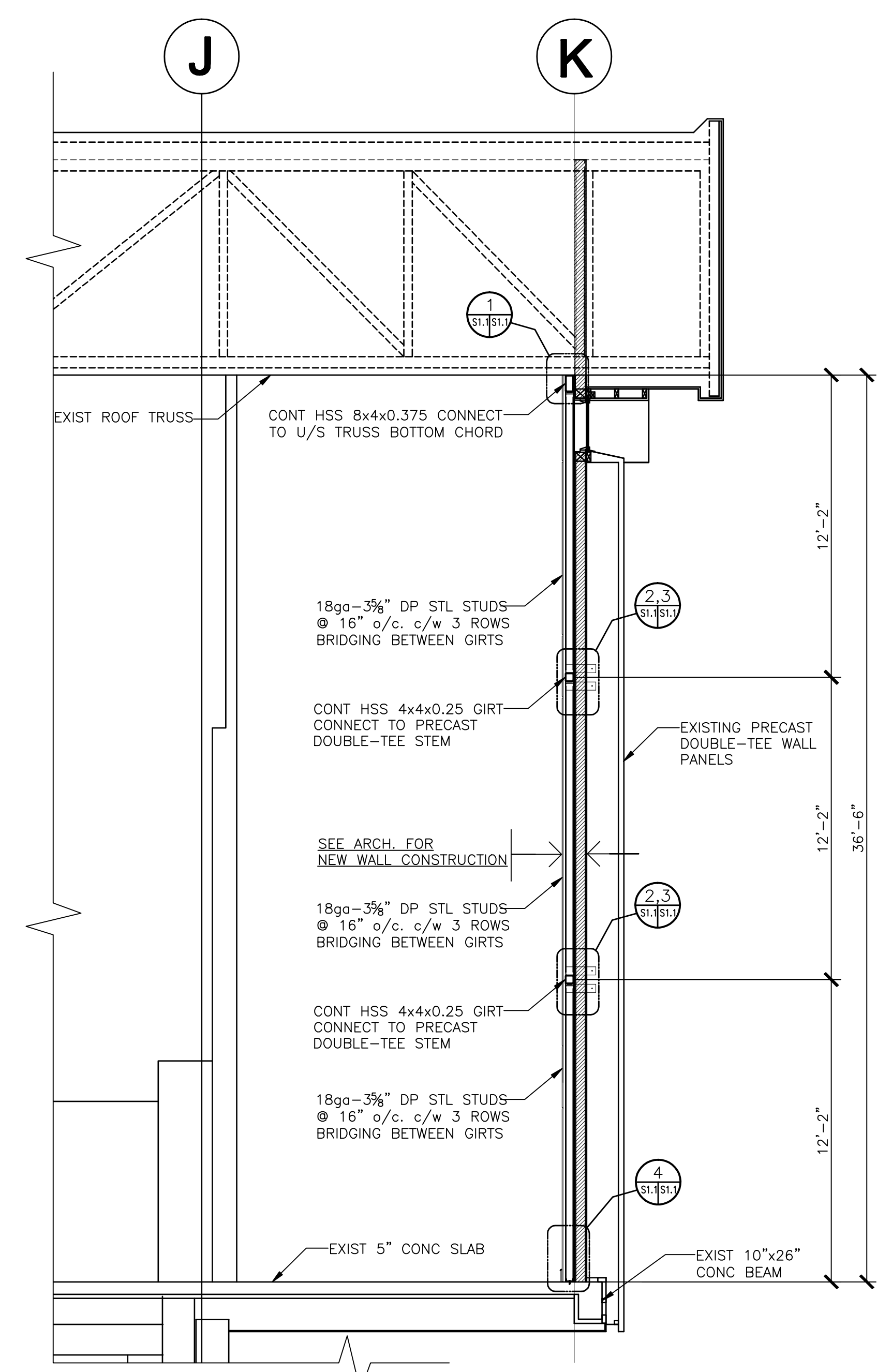


5 PLAN DETAIL
SCALE: 1 1/2"=1'-0"

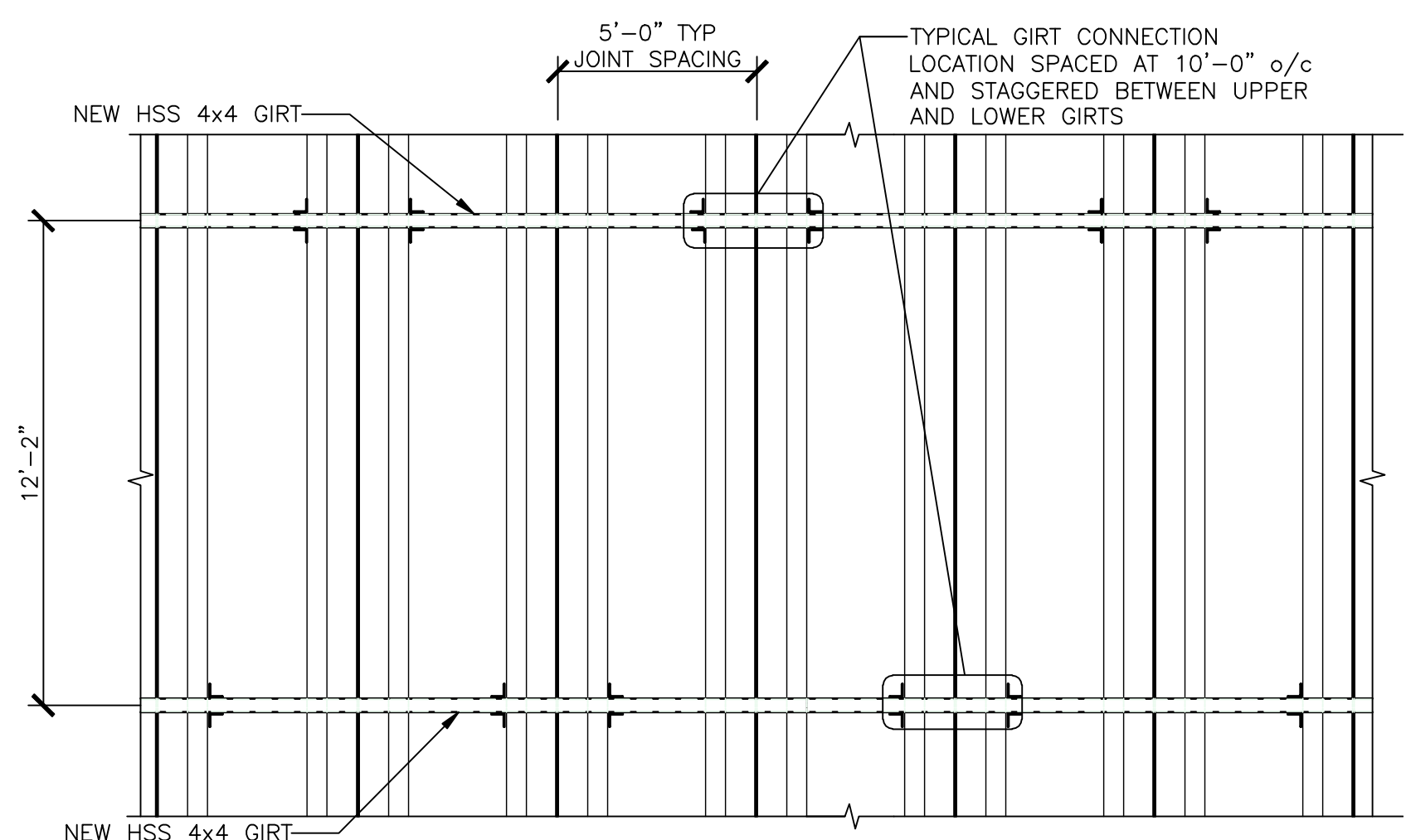
GENERAL NOTES

- STRUCTURAL DESIGN BASED ON THE MANITOBA BUILDING CODE OF CANADA 2005 EDITION.
 - IMPORTANCE CATEGORY: NORMAL
 - WIND LOAD: $q_{50} = 9.4$ P.S.F.
 - DO NOT SCALE DRAWINGS.
 - ALL DIMENSIONS ARE TO BE VERIFIED WITH THE ARCHITECTURAL DRAWINGS AND EXISTING SITE CONDITIONS PRIOR TO CONSTRUCTION.
 - THESE STRUCTURAL DRAWINGS SHOW THE COMPLETED STRUCTURE AND DO NOT INDICATE ALL COMPONENTS NECESSARY FOR SAFETY DURING CONSTRUCTION. THE CONTRACTOR SHALL BE SOLELY RESPONSIBLE FOR SAFETY ON AND AROUND THE JOBSITE DURING CONSTRUCTION.
- STRUCTURAL STEEL
- THE STRUCTURAL STEEL FABRICATOR'S ENGINEER SHALL BE RESPONSIBLE FOR LOCATING AND DESIGNING PROVISIONS FOR ALL TEMPORARY FALL PROTECTION SYSTEMS REQUIRED DURING CONSTRUCTION TO MEET MANITOBA WORKPLACE HEALTH AND SAFETY REGULATIONS.
 - STRUCTURAL STEEL TO CONFORM TO CSA-G40.21, "STRUCTURAL QUALITY STEELS" AND CSA-G40.20 "GENERAL REQUIREMENTS FOR ROLLED OR WELDED STRUCTURAL QUALITY STEEL".
 - ALL ROLLED OR STEEL STRUCTURAL SECTIONS SHALL BE G40.21-50W. ALL HOLLOW STRUCTURAL SECTIONS TO BE G40.21-50W CLASS C. ALL ANGLES, CHANNELS AND PLATES SHALL BE G40.21-44W.
 - FABRICATION AND ERECTION OF STRUCTURAL STEEL SHALL BE PERFORMED IN ACCORDANCE WITH CAN/CSA S16.1-01, "STEEL STRUCTURES FOR BUILDINGS".
 - ALL WELDING SHALL CONFORM TO THE LATEST EDITION OF CSA W59, "WELDED STEEL CONSTRUCTION". FABRICATORS SHALL BE PROPERLY CERTIFIED IN ACCORDANCE WITH CSA W47.1, "CERTIFICATION OF COMPANIES FOR FUSION WELDING OF STEEL STRUCTURES".
 - ALL BOLTED CONNECTIONS TO USE A325 HIGH STRENGTH BOLTS. MINIMUM CONNECTION SHALL CONSIST OF 2 BOLTS.
 - ALL STRUCTURAL STEEL IS TO RECEIVE ONE COAT OF CISC/CPMA 1-73a QUICK DRYING SHOP PRIMER. STEEL IN CRAWLSPACES SHALL RECEIVE 2 COATS. STEEL TO BE CLEANED IN CONFORMANCE WITH SSPC-SP2.
 - FABRICATOR TO NOTIFY ENGINEER OF ANY PROPOSED MEMBER SUBSTITUTIONS AND CHANGED CONNECTION DETAILS.
 - THE STRUCTURAL STEEL SUPPLIER SHALL PROVIDE AND BE RESPONSIBLE FOR ALL HOLES IN STEEL SECTIONS REQUIRED BY OTHER TRADES. SECTION SHALL BE STRENGTHENED WHERE REQUIRED TO GUARANTEE THE ORIGINAL STRENGTH OF THE BEAM. ANY CUTTING OF STEEL AT THE JOB SITE SHALL BE DONE ONLY AS DIRECTED AND APPROVED BY THE ENGINEER.
 - STRUCTURAL STEEL SUPPLIER IS TO SUBMIT ENGINEERING DRAWINGS BEARING THE SEAL OF A PROFESSIONAL ENGINEER REGISTERED IN THE PROVINCE OF MANITOBA COVERING THE DESIGN OF CONNECTIONS, TO THE PROJECT DESIGN ENGINEER FOR REVIEW PRIOR TO FABRICATION. CONNECTION DESIGN TO INCLUDE FOR ALL ADJUSTABLE CONNECTIONS REQUIRED TO SUIT FABRICATION AND ERECTION PROCEDURES AND TOLERANCES.
 - STRUCTURAL STEEL WHICH SUPPORTS ARCHITECTURAL FINISHES MUST BE DESIGNED TO BE SUFFICIENTLY ADJUSTABLE TO MEET REQUIRED INSTALLATION TOLERANCES. SEE ARCHITECTURAL FOR REQUIRED FINISH TOLERANCES.

CAST-IN-PLACE CONCRETE NOTE DELETED



A WALL SECTION - PHASE 1
SCALE: 1/4"=1'-0" (PHASE 2 SIMILAR OPD.)



B PARTIAL WALL ELEVATION
SCALE: 1/4"=1'-0"

REV	DESCRIPTION	DATE	BY
0	ISSUED FOR TENDER	July 10, 2009	HJL



SEAL: ORIGINAL REV. R-0 SEALED BY H.J. LOUKA, P. ENG.

THIS DRAWING MUST NOT BE SCALED.
THE GENERAL CONTRACTOR SHALL VERIFY ALL DIMENSIONS, DATUMS AND LEVELS PRIOR TO COMMENCEMENT OF WORK AND IS HELD RESPONSIBLE FOR REPORTING ANY DISCREPANCY OR OMISSION TO NEIL COOPER ARCHITECT INC IMMEDIATELY.
THIS DRAWING IS THE EXCLUSIVE PROPERTY OF NEIL COOPER ARCHITECT INC AND CAN BE REPRODUCED ONLY WITH THE PERMISSION OF NEIL COOPER ARCHITECT INC. IN WHICH CASE THE REPRODUCTION MUST BEAR THEIR NAME AS THE ARCHITECTURAL FIRM.

STRUCTURAL WALL SECTIONS, DETAILS & GENERAL NOTES

PROJECT: PAN AM POOL BLDG ENVELOPE RETROFIT
25 Poseidon Bay, Winnipeg, Manitoba

300-275 Carlton Street
Winnipeg, Manitoba R3C 2R6
T 204. 943. 7201
F 204. 943. 7207
Crosier Kilgour & Partners Ltd.
CONSULTING STRUCTURAL ENGINEERS

Neil Cooper Architect Inc.
10-395 Berry Street, Winnipeg, Manitoba R3J 1N6

Tuplin Group Inc.
Unit L 301 Weston Street, Winnipeg, Manitoba R3E 3H4

DRAWN BY: MS	CHECKED BY: HJL	SHEET NO: S1.1R.1	REV NO:
DATE: JULY 10, 2009			
SCALE: As Noted			
FILE: 2009-0518			