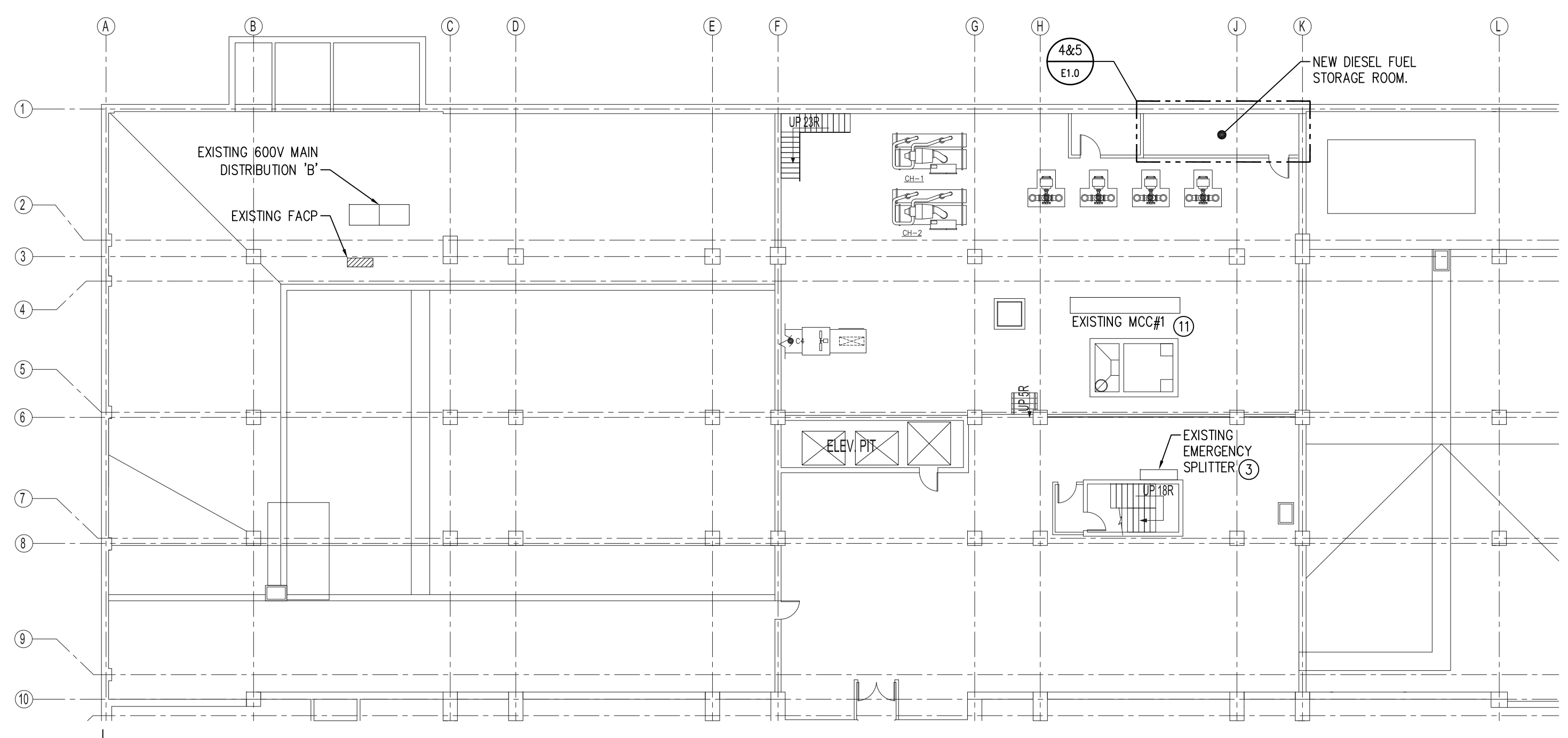
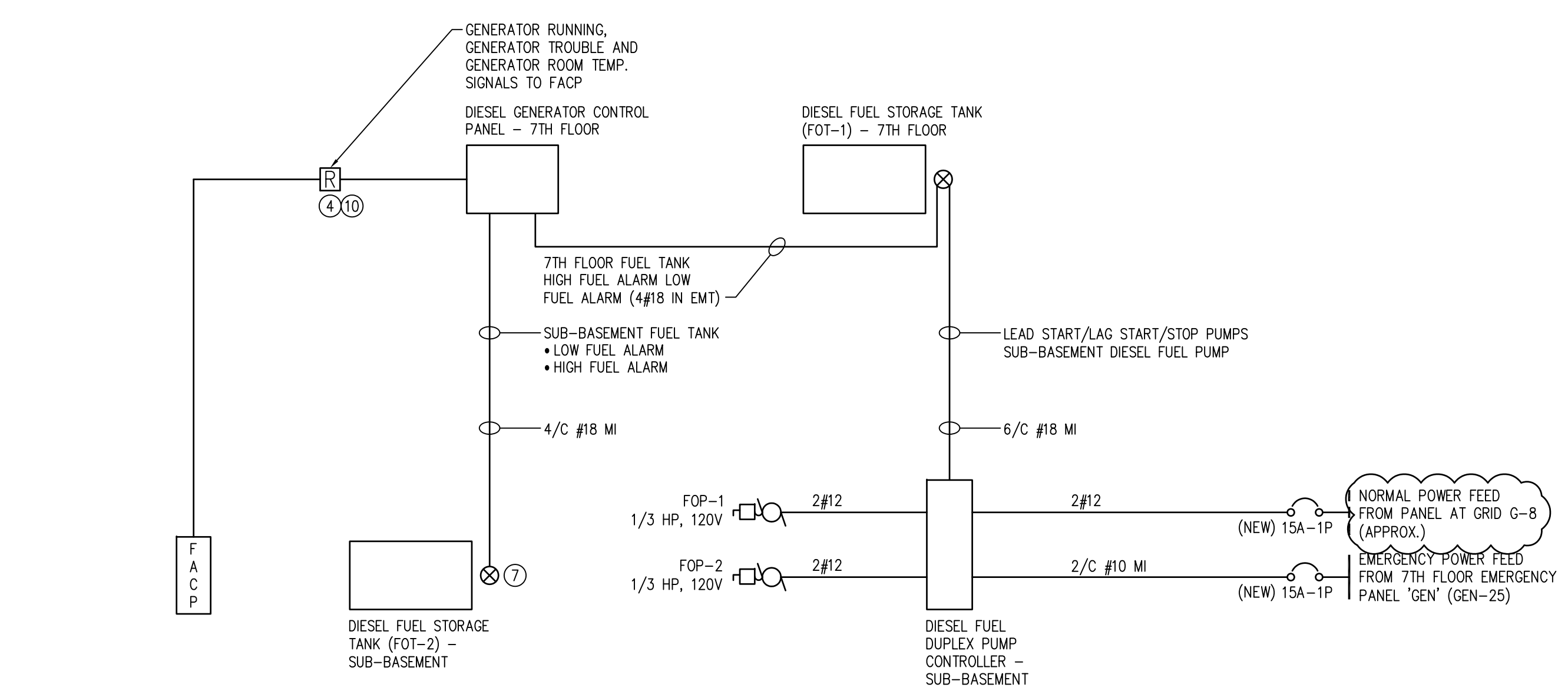


**1 SITE PLAN**  
E1.0  
SCALE: 1:500

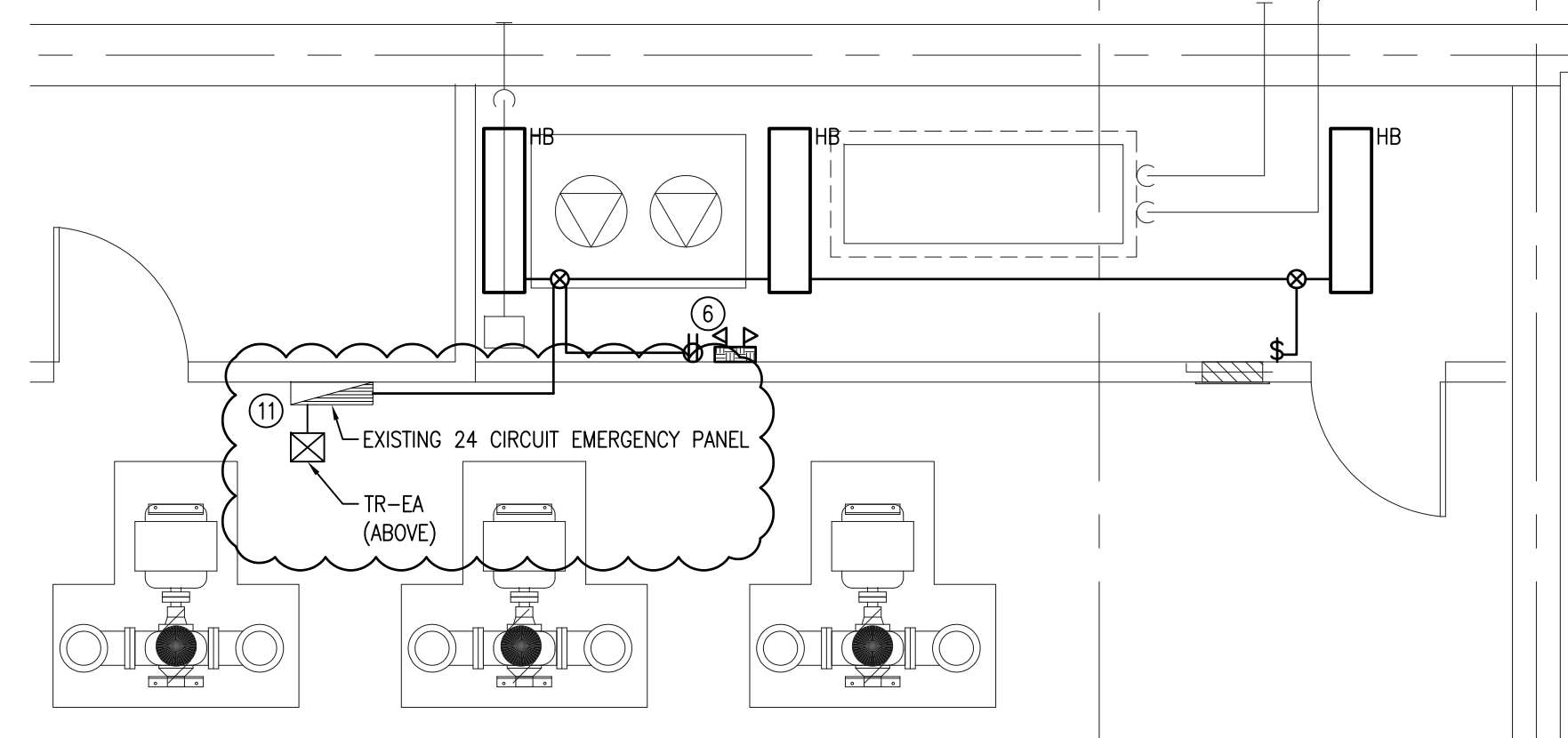


**2 PART SUB BASEMENT LEVEL**  
E1.0  
SCALE: 1:200

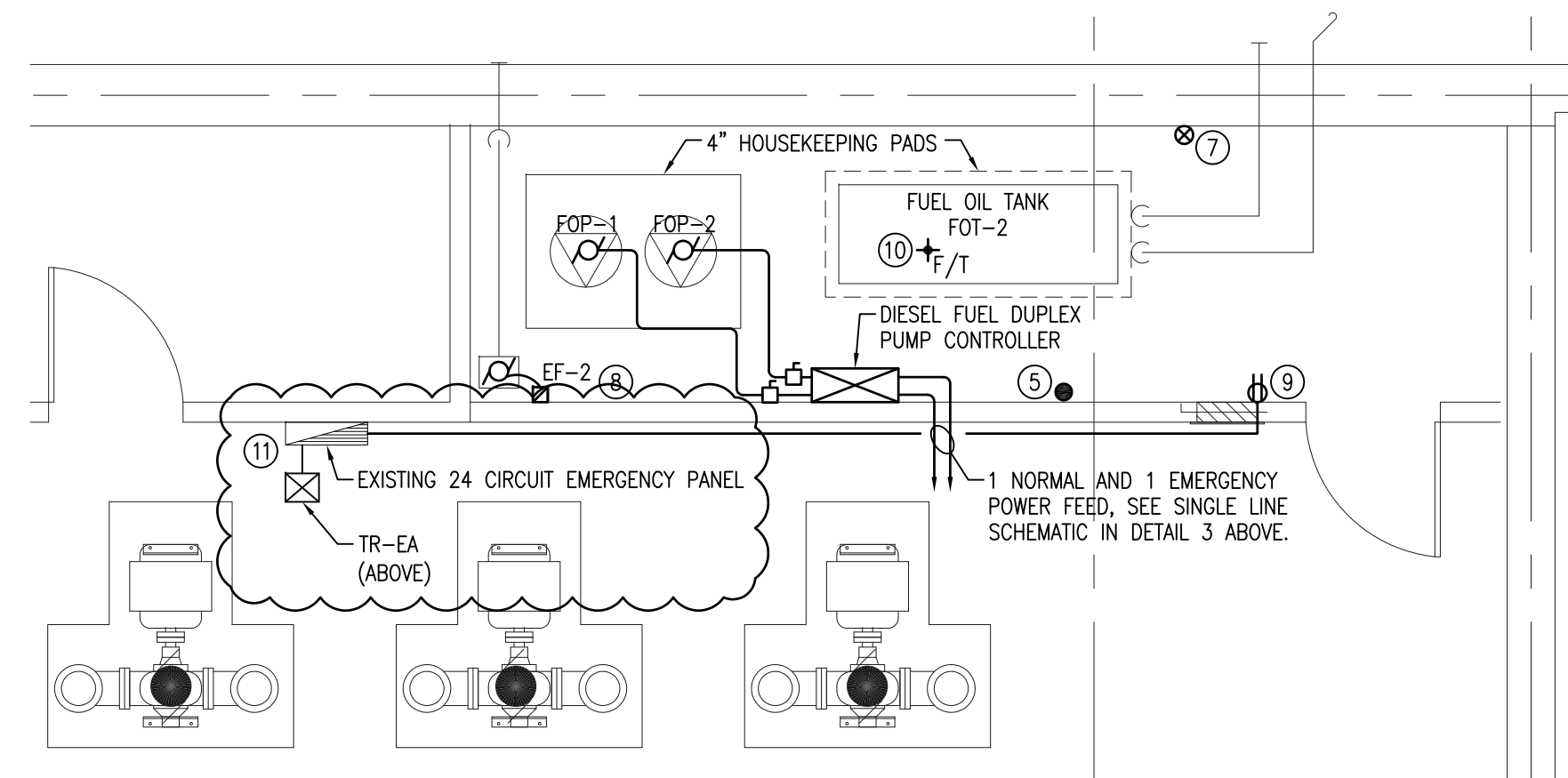


**3 FIRE ALARM INTERCONNECTION AND DIESEL FUEL DUPLEX PUMP CONTROLLER SINGLE LINE SCHEMATIC**  
E1.0  
SCALE: N.T.S.

• NOTE: FOP-1 AND FOP-2 ARE 100% REDUNDANT. (ONLY 1 RUNS AT ONE TIME)  
• ELECTRICAL CONTRACTOR TO PROVIDE CONDUIT AND WIRING FOR DIESEL FUEL STORAGE TANK CONTROL WIRE AND CONNECT CONTROLS AS PER CONTROL SHOP DRAWINGS.



**4 NEW DIESEL FUEL STORAGE ROOM - LIGHTING**  
E1.0  
SCALE: 1:50



**5 NEW DIESEL FUEL STORAGE ROOM - POWER & SYSTEMS**  
E1.0  
SCALE: 1:50

**GENERAL NOTES**

1. QUANTITY AND SIZE OF GENERATOR CONTROL/FUEL SYSTEM CONTROL WIRING IS TYPICAL AND SHALL BE COORDINATED BY CONTRACTOR. PROVIDE WIRE QUANTITY AND SIZE REQUIRED BY GENERATOR SUPPLIER.

**DRAWING NOTES**

1. NOT USED.
2. NOT USED.
3. PROVIDE A SEPERATE PRICE TO REPLACE EXISTING SPLITTER WITH A CDP. CDP TO BE 200A/30/4W (600/347V), 25KAIC AND REFEED ALL EXISTING LOADS.
4. PROVIDE ADDRESSABLE RELAYS AT DIESEL GENERATOR CONTROL PANEL TO ANNUNCIATE
  - GENERATOR RUNNING
  - GENERATOR TROUBLE
  - GENERATOR ROOM TEMP.
 CONNECT TO EXISTING EDWARDS ADDRESSABLE FIRE ALARM PANEL. RE-VERIFY FIRE ALARM SYSTEM.
5. NEW FIRE ALARM TO BE CONNECTED TO NEAREST EXISTING AUDIBLE DEVICE.
6. DC BATTERY PACK C/W 2 - 9W HEADS, 60 MINUTE CAPACITY. PROVIDE A DEDICATED EMERGENCY CIRCUIT 15A-1P FOR ROOM LIGHTS AND BATTERY PACK. PROVIDE NEW 15A-1P BREAKER.
7. SUB-BASEMENT DIESEL FUEL STORAGE TANK CONNECTION TO DIESEL GENERATOR CONTROL PANEL ON 7TH FLOOR. FOLLOW FUEL OIL PIPING PATH UP TO FOT-1.
8. 120V, 15A-1P DEDICATED CIRCUIT FOR EF-2 FEED FROM EXISTING 24 CIRCUIT EMERGENCY PANEL.
9. 120V, 15A-1P DEDICATED CIRCUIT FOR DUPLEX OUTLET.
10. CONNECT NEW DEVICE TO CLOSEST EXISTING ADDRESSABLE DEVICE.
11. RE-FEED FROM L7-ELD01 ON LEVEL 7. CABLE TO BE IN CONDUIT AND TO FOLLOW ROUTE OF FUEL PIPES. PROVIDE NEW 30KVA 30KVA TRANSFORMER. NON-VENTILATED, SPRINKLER PROOF 600-120/208V.

**SMS ENGINEERING**

SMS Engineering Ltd. Consulting Engineers  
775 Broadway Street Winnipeg MB Canada R3H 0K3  
Telephone: 204.778.0291 Fax: 204.772.2153  
sms@smseng.com

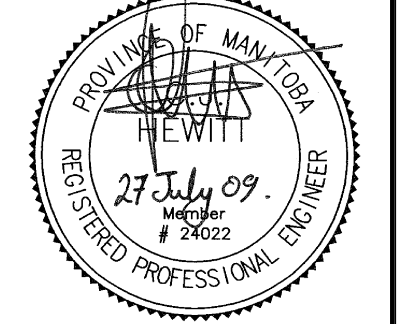
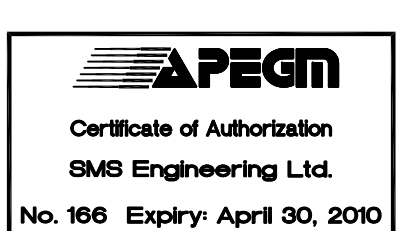
07-232-01

2. ISSUED FOR ADDENDUM NO. 2 CB 09.07.27

1. ISSUED FOR BID OPPORTUNITY CB 09.06.19

NO.	REVISION/DESCRIPTION	BY	DATE

SEALS



DRAWN BY	CHECKED BY	APPROVED CH
KM	CB	CH

DATE: 2008/04/17 USER APPROVAL

CITY OF WINNIPEG  
PLANNING, PROPERTY & DEVELOPMENT DEPARTMENT  
CIVIC ACCOMMODATIONS DIVISION  
300 - 65 GARRY ST. R3C 4K4

PROJECT  
CITY OF WINNIPEG 510 MAIN ST.  
EMERGENCY DISTRIBUTION UPGRADE  
PHASE 1

SHEET TITLE  
SITE PLAN AND BASEMENT  
LEVEL PLAN

SCALE	PROJECT NO.	SHEET NO.
AS SHOWN	07-232-01	E1.0