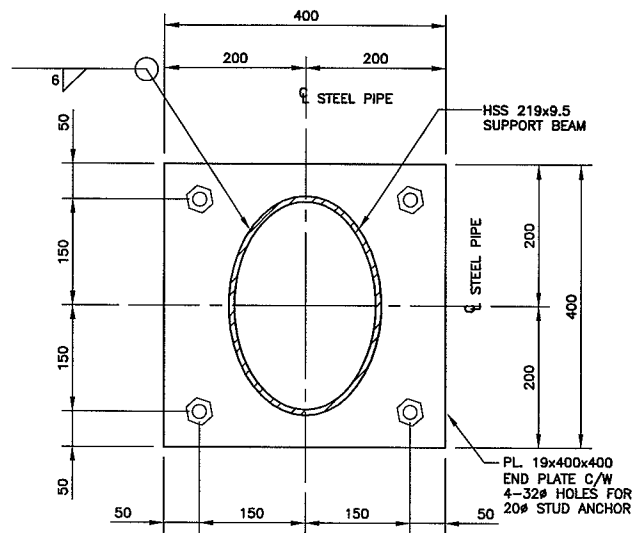
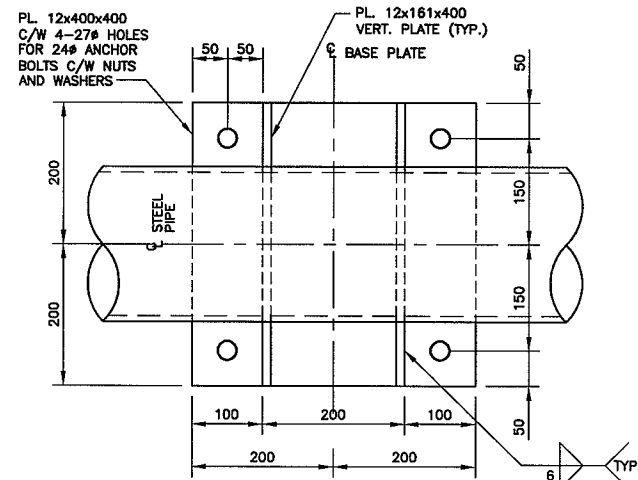


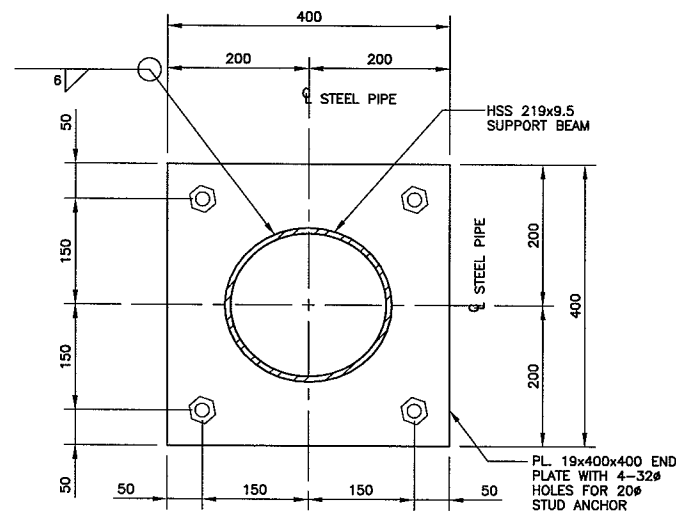
DETAIL A
1: 5



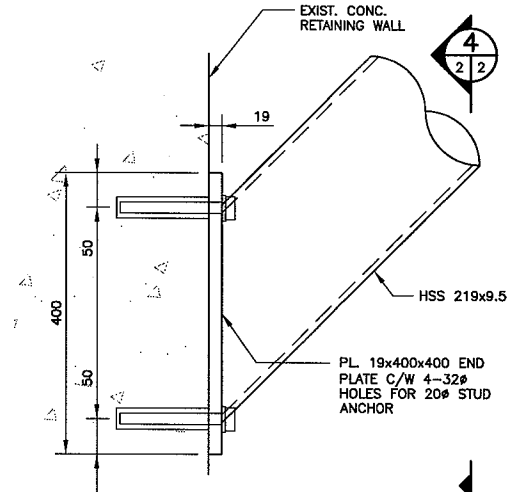
SECTION 4
1: 5



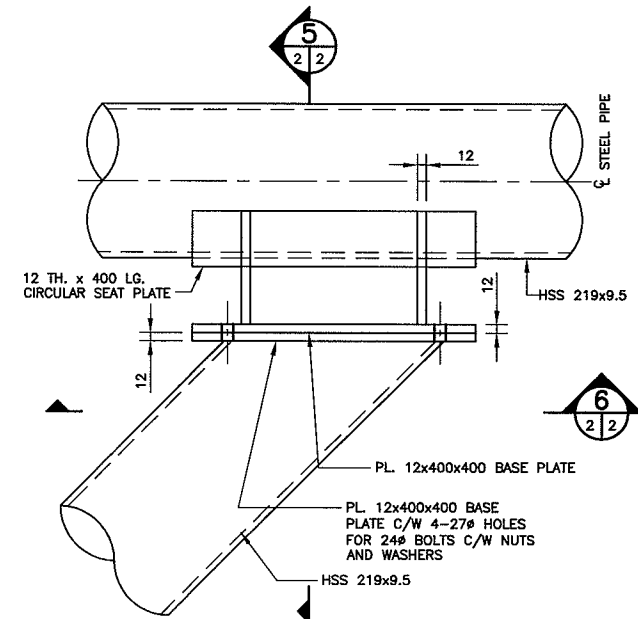
PLAN



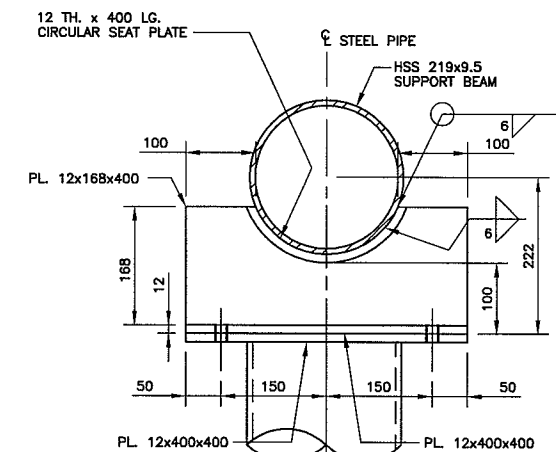
SECTION 3
1: 5



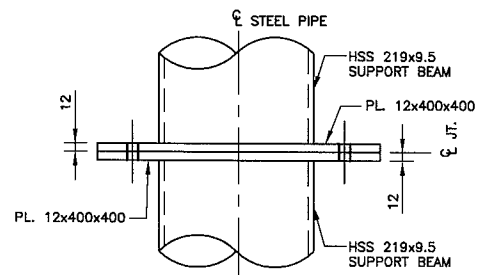
DETAIL C
1: 5



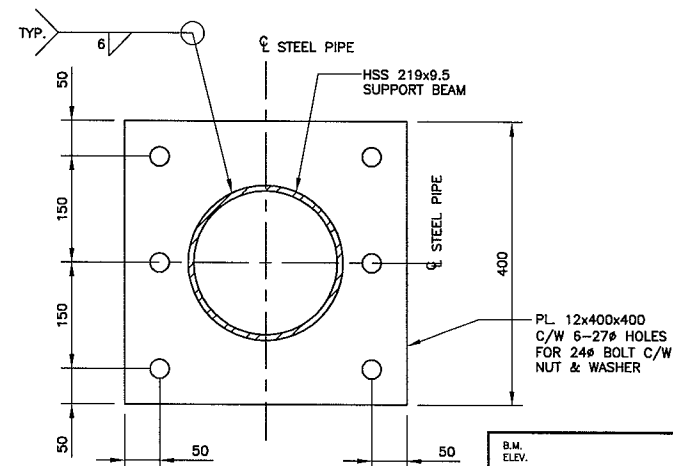
ELEVATION
DETAIL D
1: 5



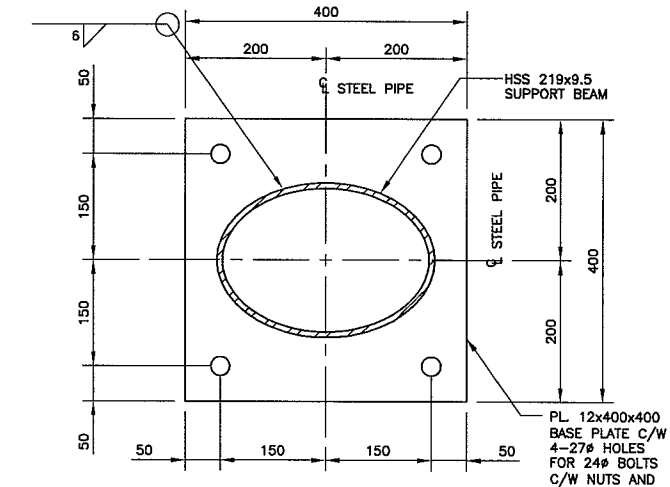
SECTION 5
1: 5



PLAN



ELEVATION



SECTION 6
1: 5

DETAIL B
1: 5

DRAWING REDUCED NOT TO SCALE

B.M. ELEV. DESIGNED BY: A.S.D. DRAWN BY: M.R.D. CHECKED BY: S.S.R. REVIEWED BY: <i>[Signature]</i> HOR. SCALE: VERTICAL NO. REVISIONS: 2 DATE: 02/14/06 BY: M.R.D. DATE: 02/08/06 BY: M.R.D.		ENGINEER'S SEAL PROVINCE OF MANITOBA FEB 14 2006 A.S. DERAJ REGISTERED PROFESSIONAL ENGINEER		ENGINEER'S SEAL PROVINCE OF MANITOBA FEB 14 2006 S.S. RIHAL REGISTERED PROFESSIONAL ENGINEER		THE CITY OF WINNIPEG PUBLIC WORKS DEPARTMENT SUPPLY & INSTALLATION OF A STEEL GRATE ON THE LOT 16 DRAIN INLET STRUCTURE SECTIONS AND DETAILS I		CITY DRAWING NUMBER LD-3291 SHEET 2 OF 3 BID OPP. NO. 92-2006	
2 ISSUED FOR TENDER 1 ISSUED FOR CITY REVIEW		DILLON CONSULTING RELEASED FOR CONSTRUCTION DATE: FEB. 2006		CONSULTANT PROJECT NO. 06-5782					

400DILLON ACAD FILE: C:\CAD\055782\INLET_GRATE_LOT_16\FINAL\ISSUED FOR TENDER\LD-3291.DWG 02/14/06