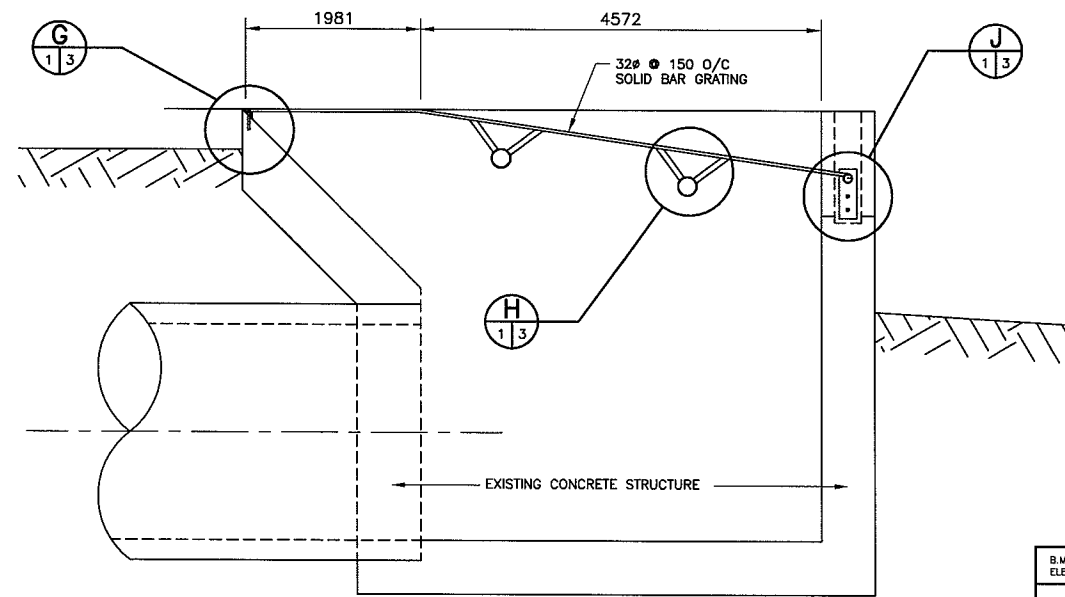
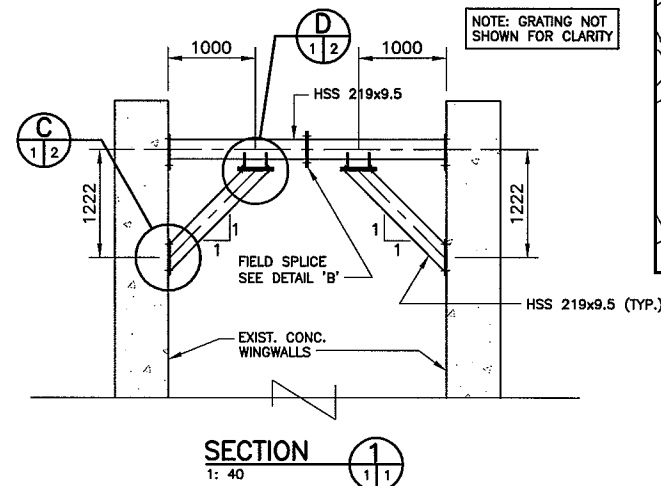


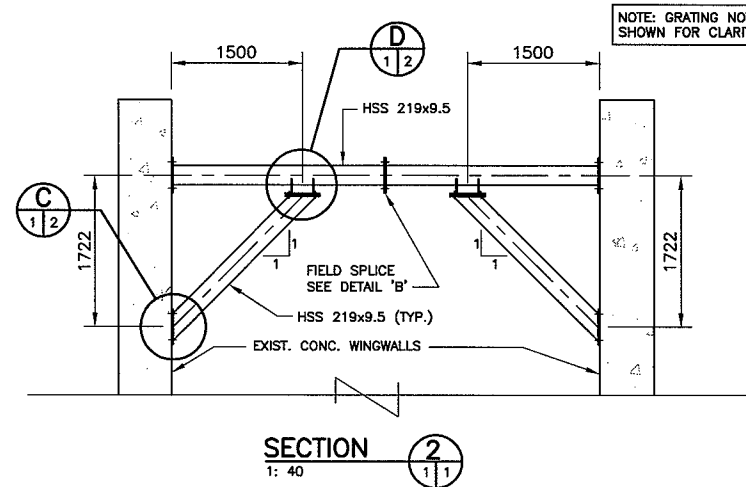
CONCRETE INLET PLAN
1: 40



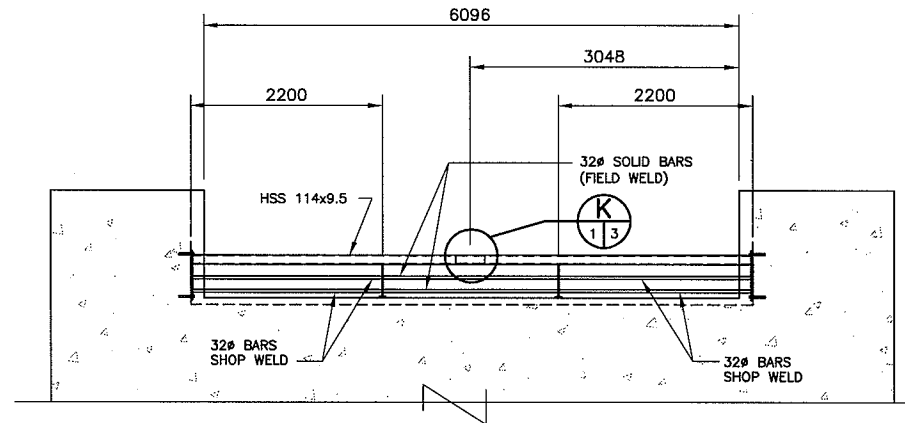
CONCRETE INLET SIDE ELEVATION
1: 40



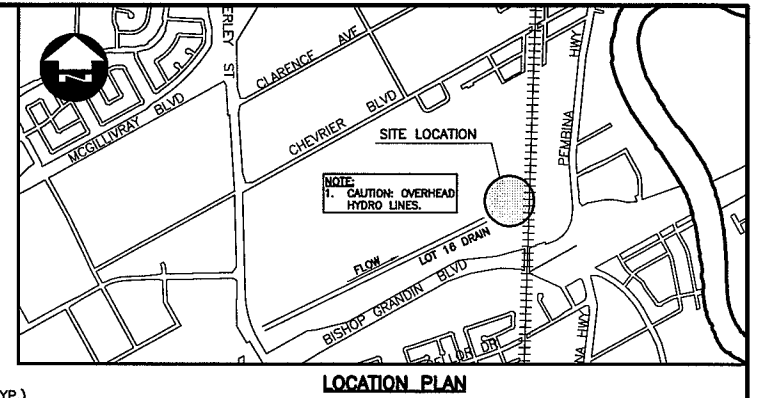
SECTION 1
1: 40



SECTION 2
1: 40



CONCRETE INLET FRONT ELEVATION
1: 40



LOCATION PLAN

- NOTE:**
- SCOPE OF WORK SHALL BE:
 - REMOVAL AND DISPOSAL OFF-SITE OF EXISTING GRATING.
 - REMOVAL AND DISPOSAL OFF-SITE OF EXISTING CHAINLINK FENCE.
 - CUT BACK ALL EXISTING ANCHOR BOLTS 50 MM BELOW CONCRETE SURFACE AND PATCH WITH SIKAPRINTO II COMPLETE WITH SUBZERO ADDITIVE.
 - SUPPLY AND INSTALLATION OF NEW GRATING.
 - SUPPLY AND INSTALLATION OF NEW CHAINLINK FENCE.
 - ALL INLET GRATING COMPONENTS SHALL BE HOT DIP GALVANIZED TO CSA G164.
 - THE INLET STRUCTURE AND GRATING DIMENSIONS SHOWN ON THE DRAWINGS ARE BASED ON THE EXISTING GRATING. CONTRACTOR SHALL VERIFY ALL DIMENSIONS BEFORE FABRICATION AND INSTALLATION OF THE NEW INLET GRATING. REPORT ANY DISCREPANCIES IMMEDIATELY TO DILLON CONSULTING LIMITED (TEL. 204-453-2301)
 - STRUCTURAL STEEL:
 - HOLLOW STRUCTURAL SECTION: CAN/CSA-G40.20-M92, GRADE 350W, CLASS C.
 - ALL OTHER STEEL: CAN/CSA G40.21-M92, GRADE 300W.
 - WELDING ELECTRODES: E48016 OR E48018 CONFORMING TO CSA W48.1.
 - CONTRACTOR SHALL ENSURE THAT PROPER WORKPLACE HEALTH AND SAFETY PROCEDURES ARE IN PLACE PRIOR TO WORK IN AND AROUND THE INLET STRUCTURE.
 - ALL BOLTS AND NUTS SHALL CONFORM TO ASTM A276 TYPE 316 S.S. U.N.O.
 - ALL ANCHORS TO BE HILTI HSLG-R M 20/30 S.S. STUD ANCHOR WITH MINIMUM EMBEDMENT OF 130mm.
 - CONTRACTOR SHALL OBTAIN NECESSARY CLEARANCES FOR ALL UTILITIES AT HIS EXPENSE.

DRAWING REDUCED
NOT TO SCALE

B.M. ELEV.	DESIGNED BY	A.S.D.		ENGINEER'S SEAL		ENGINEER'S SEAL			THE CITY OF WINNIPEG PUBLIC WORKS DEPARTMENT SUPPLY & INSTALLATION OF A STEEL GRATE ON THE LOT 16 DRAIN INLET STRUCTURE	CITY DRAWING NUMBER	LD-3290
		DRAWN BY		M.R.D.	CONSULTANT PROJECT NO.		06-5782			SHEET	1 OF 3
	CHECKED BY	S.S.R.						PLAN AND DETAILS	BID OPP. NO. 92-2006		
	REVIEWED BY	[Signature]									
	NO. REVISIONS	DATE	BY	DATE	FEB. 2006	DATE					
2	ISSUED FOR TENDER	02/14/06	M.R.D.	RELEASED FOR CONSTRUCTION							
1	ISSUED FOR CITY REVIEW	02/08/06	M.R.D.								