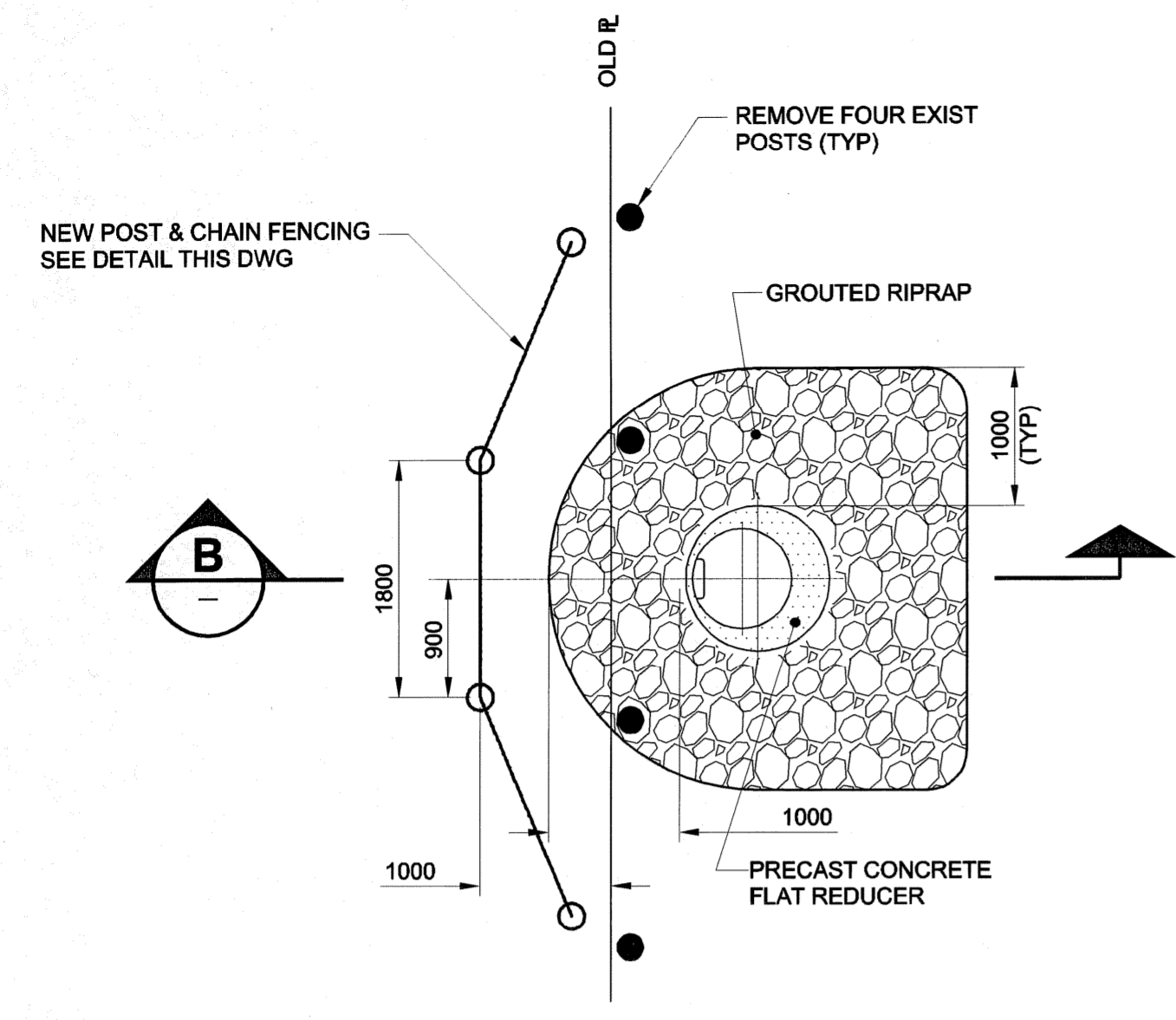


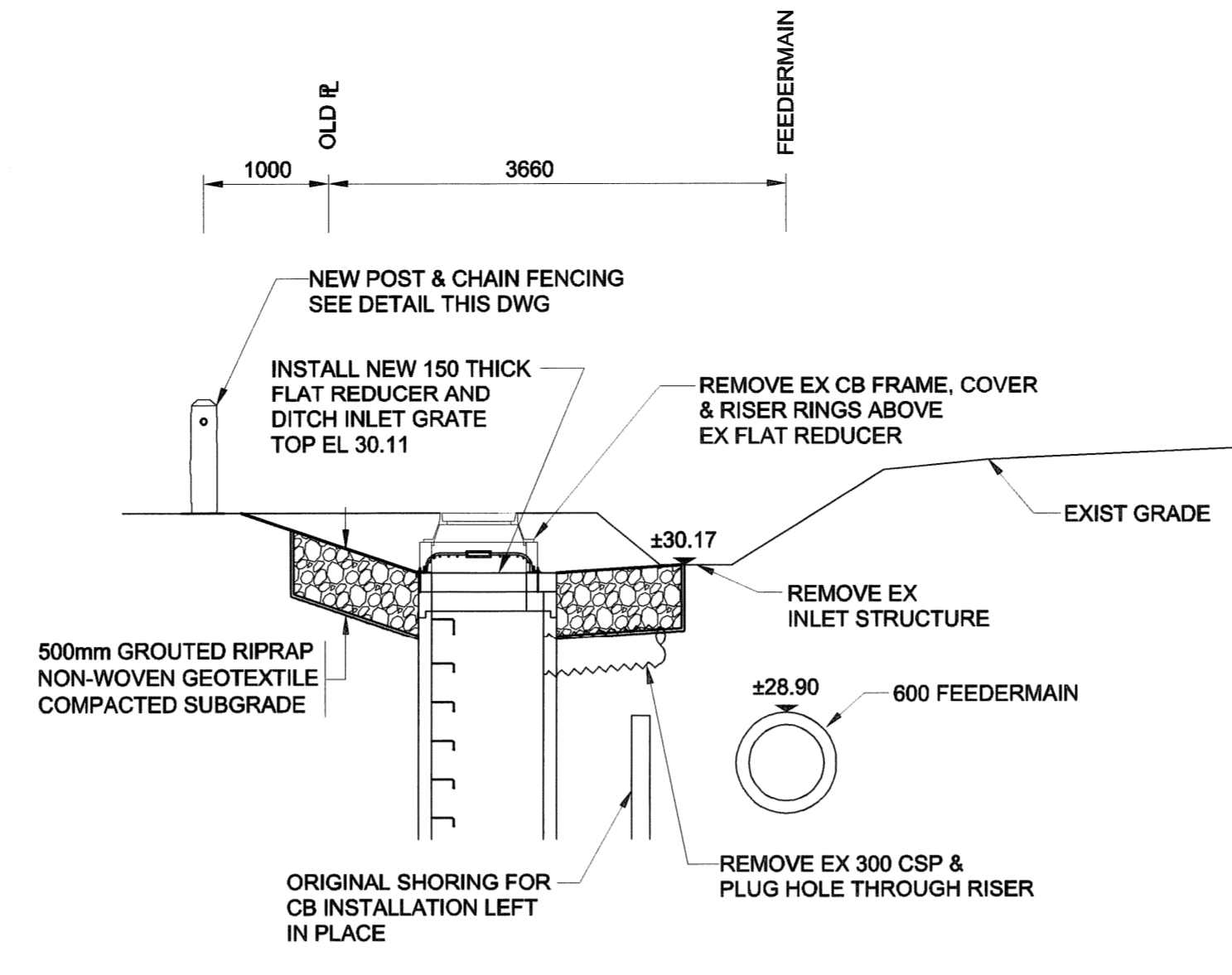
D SIZE 22" x 34" (559mm x 864mm)

PLOT: 06/03/17 10:42:30 AM

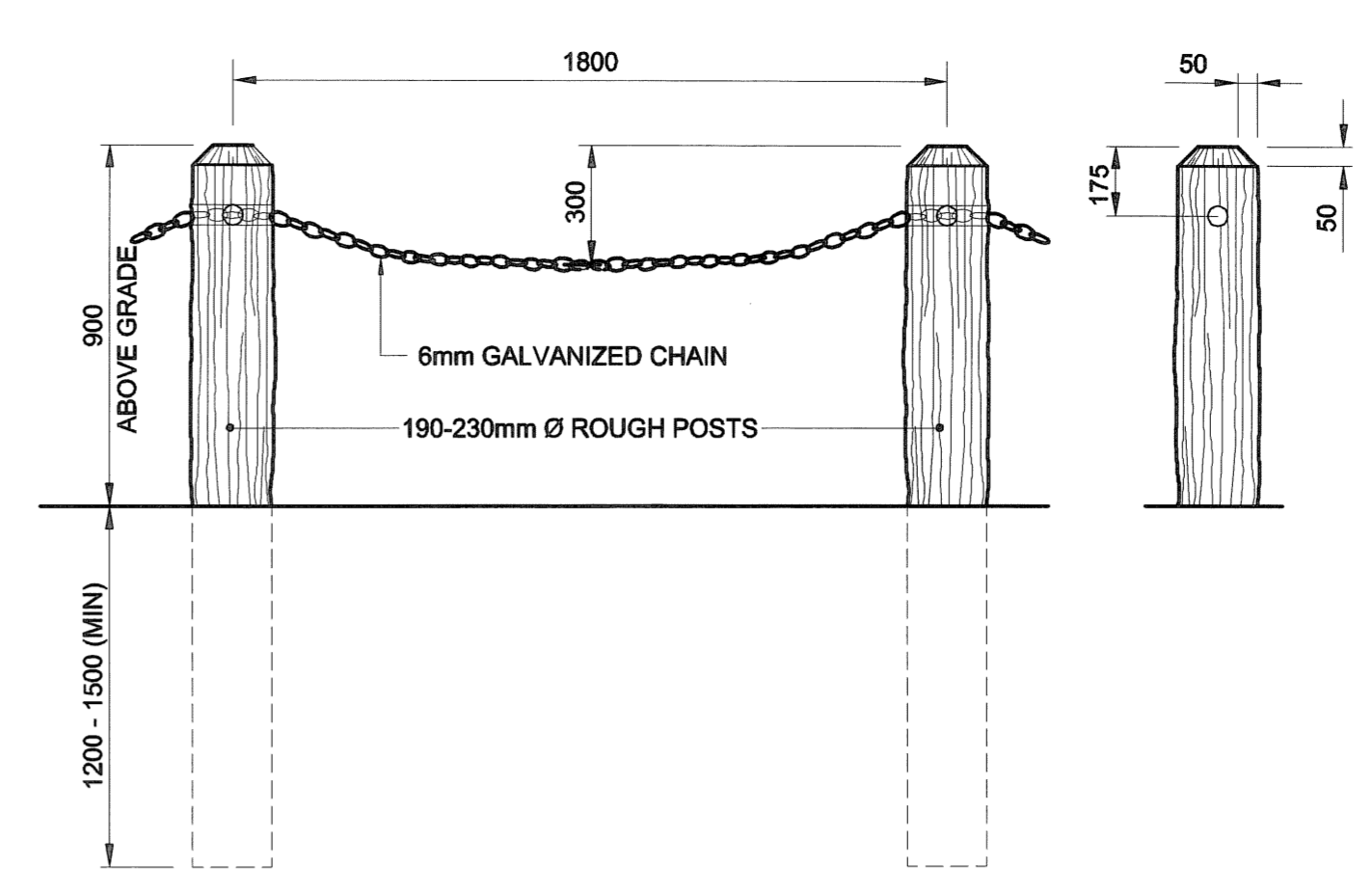
UMA FILE NAME: D265-204-00\_00-C-0006\_RX.dwg Saved By: fberard



**INLET - PLAN**  
SCALE 1:50



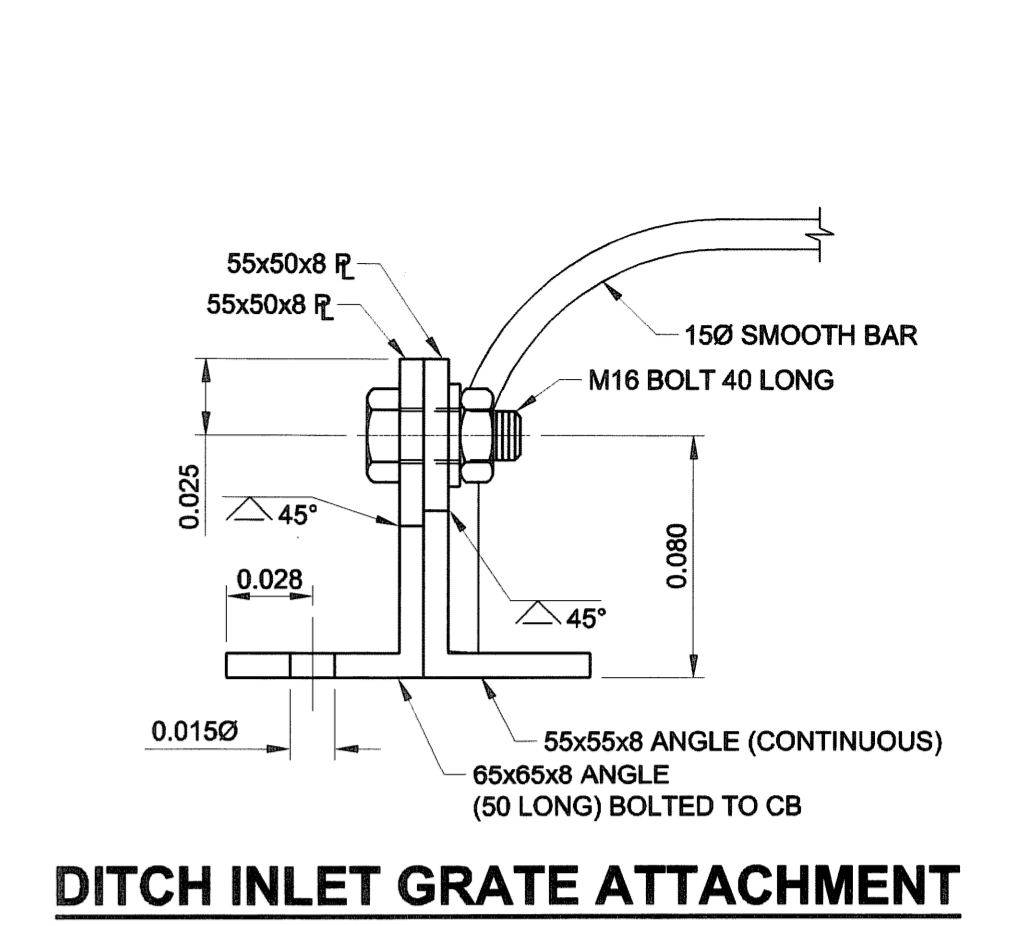
**SECTION B**  
SCALE 1:50



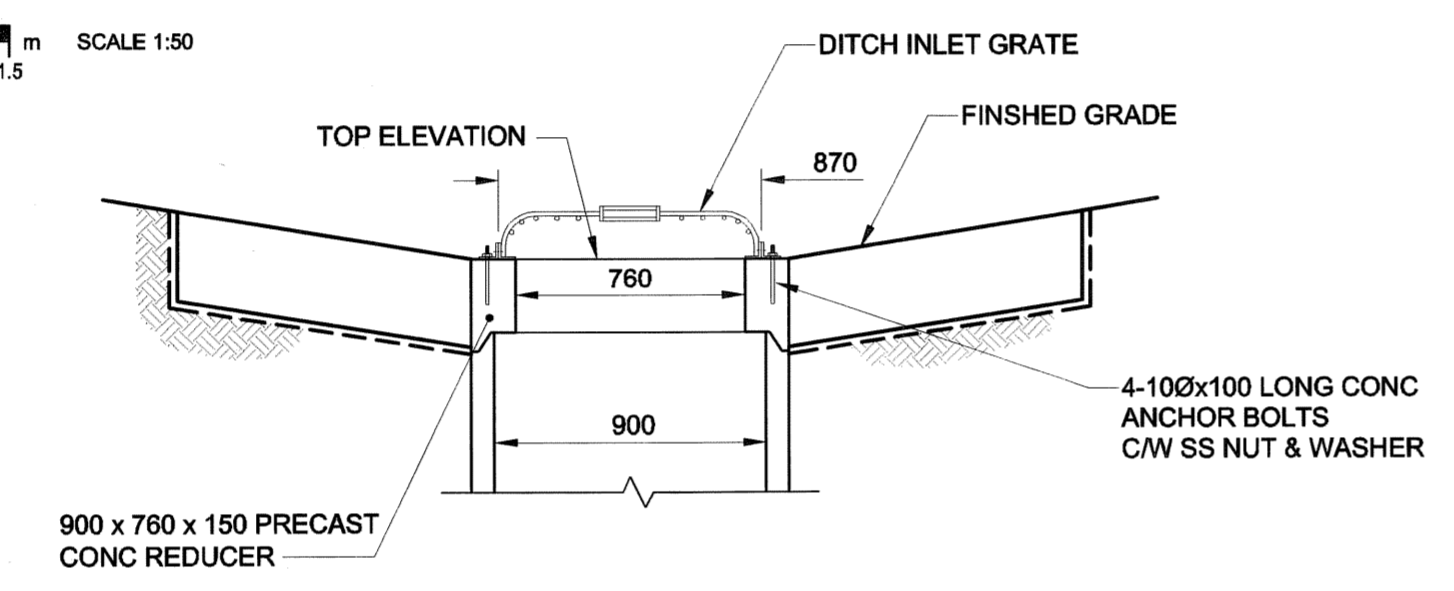
**NOTE:**

- WESTERN RED CEDAR, FREE OF BARK, SOLID CORE, AIR DRIED, PRESSURE TREATED AFTER SHAPING AND DRILLING - OR MANITOBA PINE, FREE OF BARK, SOLID CORE, ROUGH NOT TURNED AND PRESSURE TREATED.
- SECURE CHAIN TO EACH POST WITH TWO ONLY 90mm GALV. NAILS TO PREVENT CHAIN SLIPPING. DRAPE CHAIN AS INDICATED.
- ALL POSTS THOROUGHLY TAMPED AND EARTH MOUNDED APPROX. 100mm AT EACH POST FOR FUTURE SETTLING. SURPLUS EARTH TO BE DISPOSED OF ALONG BOUNDARY LINE.

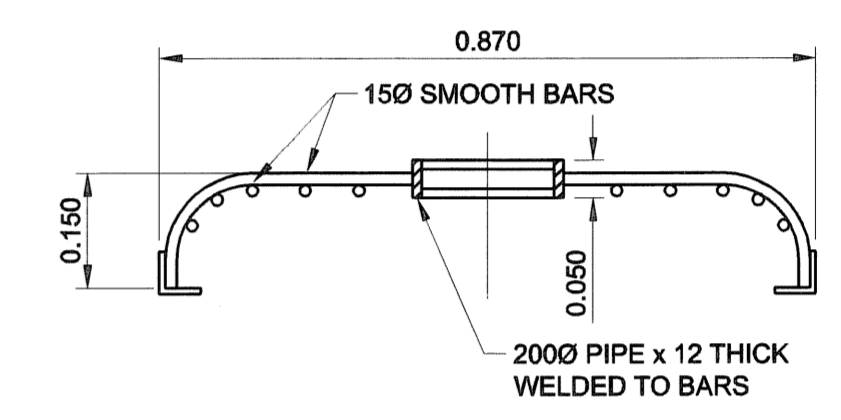
**POST AND CHAIN FENCING**  
SCALE 1:20



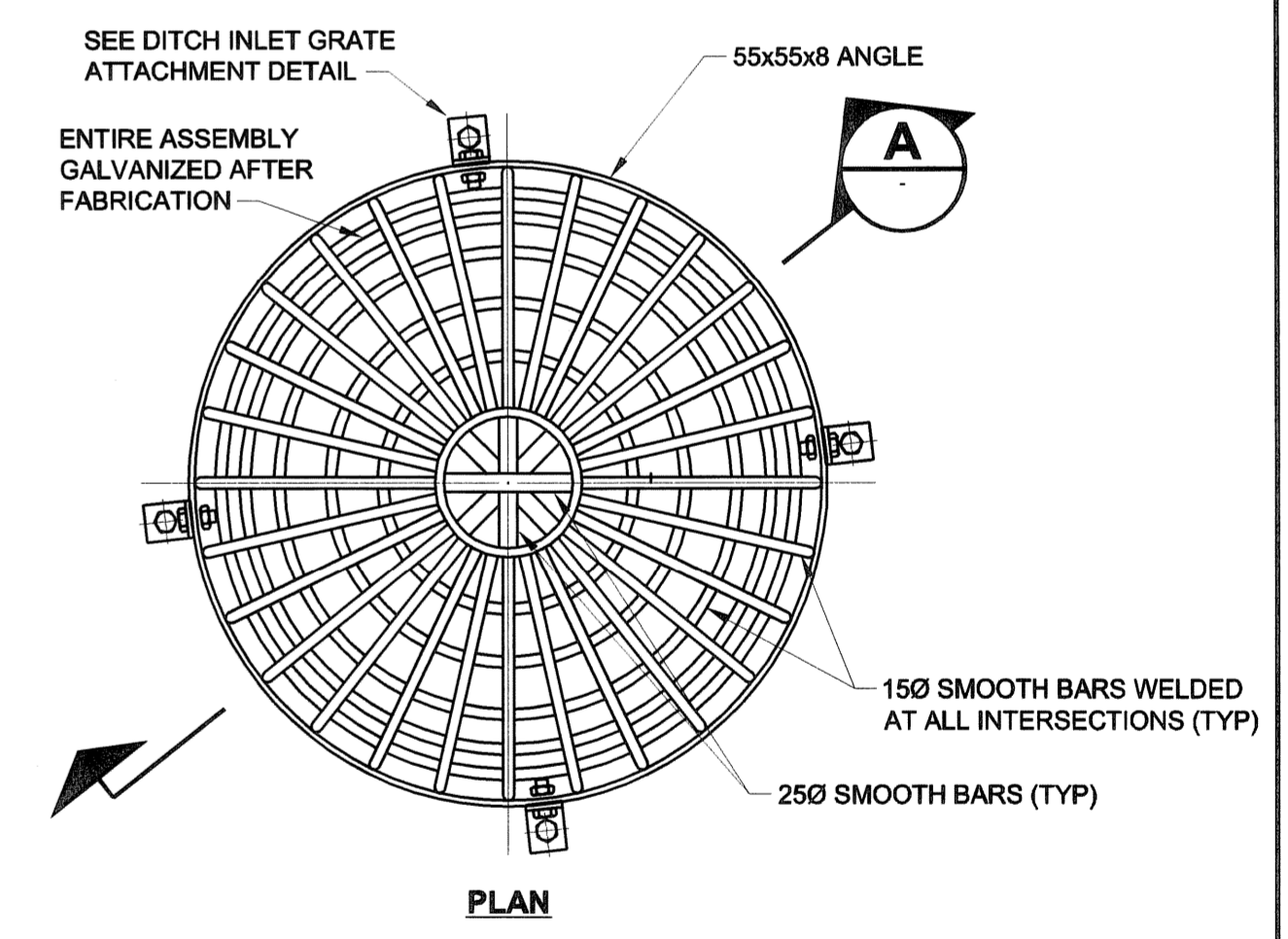
**DITCH INLET GRATE ATTACHMENT**  
SCALE 1:2.5



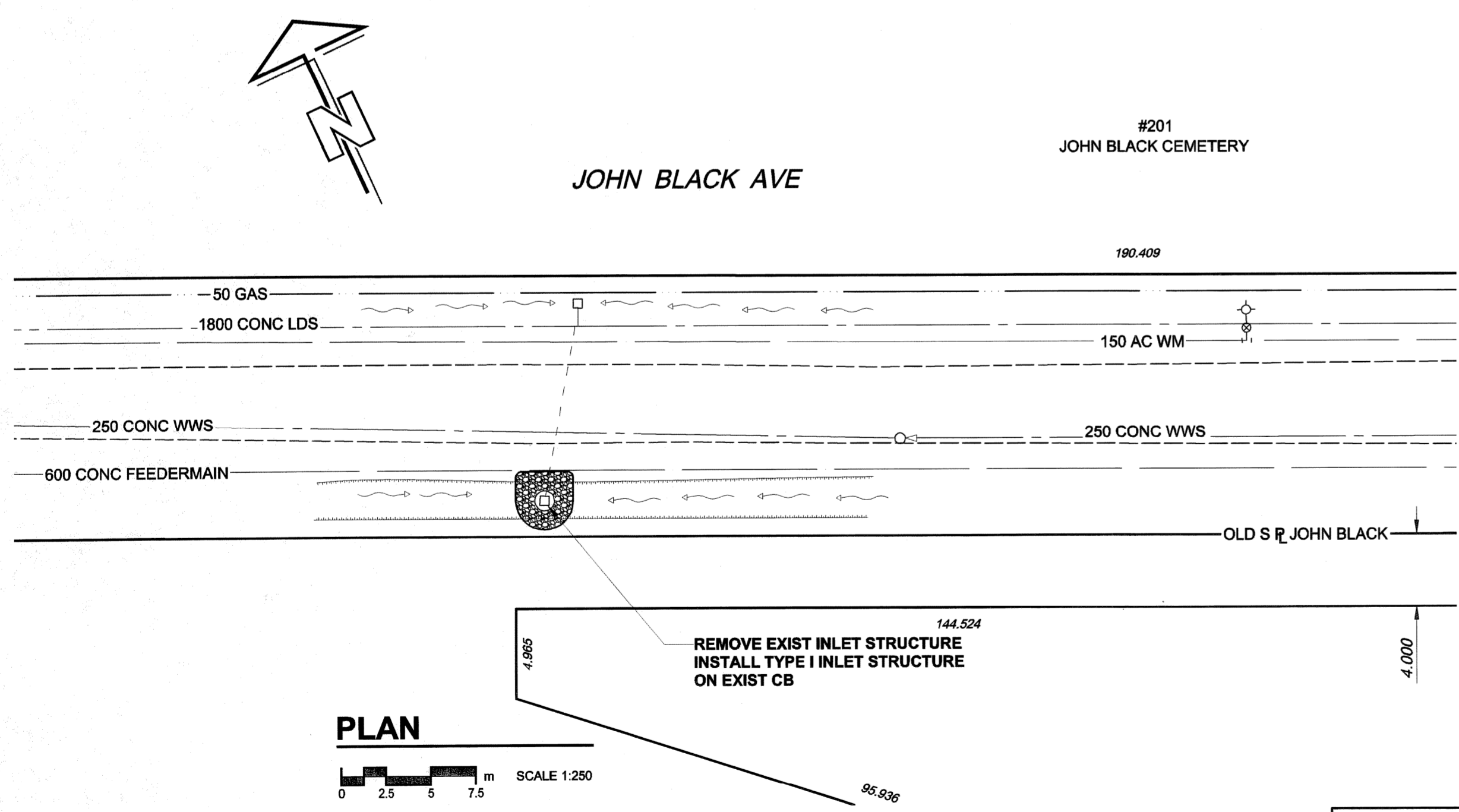
**GRATE INSTALLATION DETAIL**  
SCALE 1:25



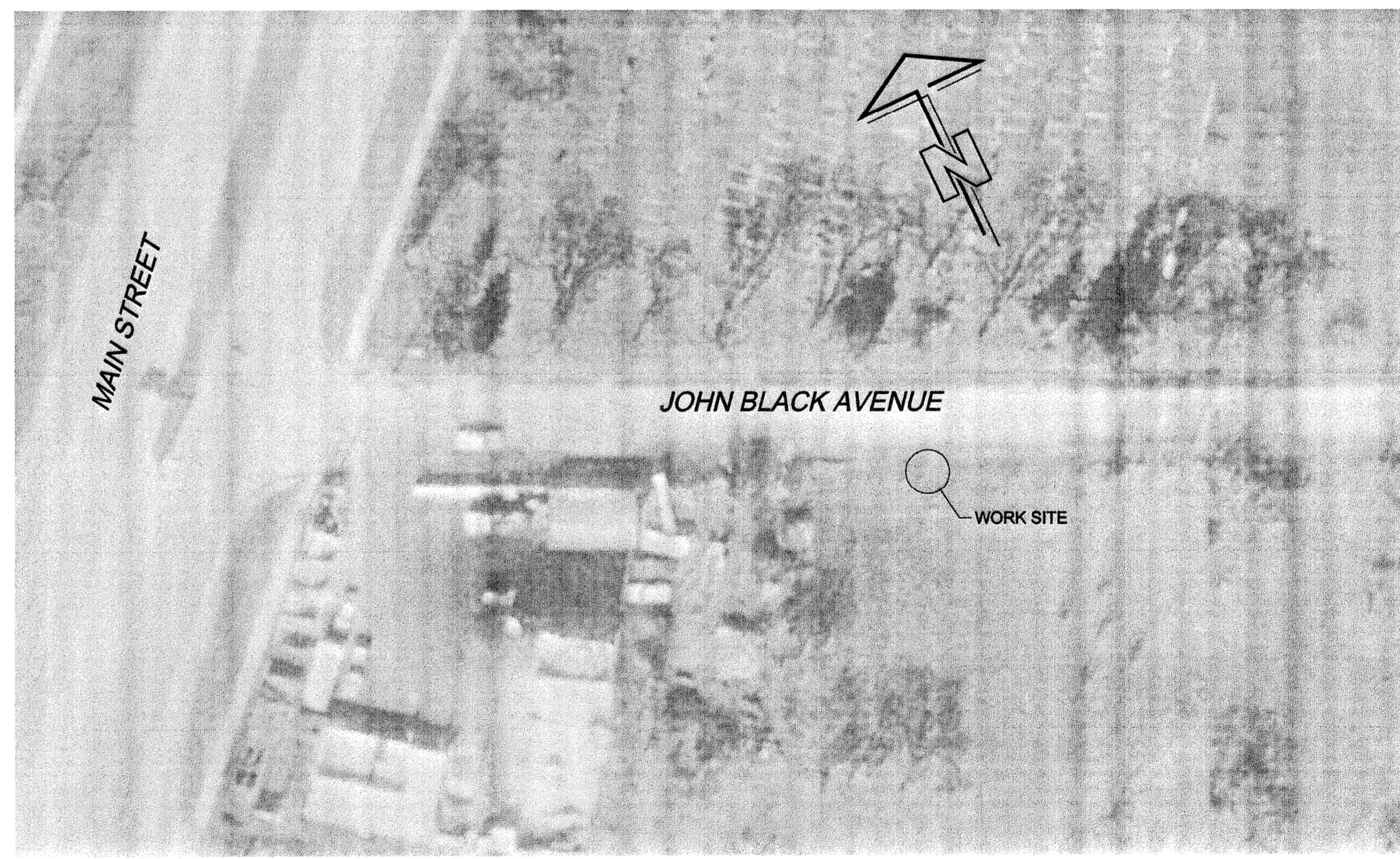
**SECTION A**  
SCALE 1:10



**DITCH INLET GRATE**  
SCALE 1:10



**PLAN**  
SCALE 1:250



**SITE PLAN**  
SCALE 1:500

**METRIC**  
WHOLE NUMBERS INDICATE MILLIMETRES  
DECIMALIZED NUMBERS INDICATE METRES

| LOCATION APPROVED UNDERGROUND STRUCTURES |                         | SUPR. U/G STRUCTURES | DATE |
|--|-------------------------|----------------------|------|
| 0  | ISSUED FOR CONSTRUCTION | 06/03/17             | KMB  |
| NO.                                      | REVISIONS               | YYMMDD               | BY   |

**NOTE:**  
LOCATION OF UNDERGROUND STRUCTURES AS SHOWN ARE BASED ON THE BEST INFORMATION AVAILABLE. BUT NO GUARANTEE IS GIVEN THAT ALL EXISTING UTILITIES ARE SHOWN OR THAT THE GIVEN LOCATIONS ARE EXACT. CONFIRMATION OF EXISTENCE AND EXACT LOCATION OF ALL SERVICES MUST BE OBTAINED FROM THE INDIVIDUAL UTILITIES BEFORE PROCEEDING WITH CONSTRUCTION.

| DESIGNED BY |          | CHECKED BY                |
|-------------|----------|---------------------------|
| MAG         |          |                           |
| DRAWN BY    |          | APPROVED BY               |
| KMB         |          |                           |
| HOR. SCALE  | AS NOTED | RELEASED FOR CONSTRUCTION |
| VERT. SCALE | AS NOTED |                           |
| DATE        | 06/03/17 | DATE                      |
|             |          | 06/03/20                  |

**PEGM**  
Certificate of Authorization  
UMA Engineering Ltd.  
No. 256 Expiry: April 30, 2006

PROFESSIONAL'S SEAL  
PROVINCE OF MANITOBA  
REGISTERED PROFESSIONAL ENGINEER  
W. T. JACKSON  
Member  
20782  
170366

**THE CITY OF WINNIPEG**  
Winnipeg  
**WATER AND WASTE DEPARTMENT**

**CULVERT AND DRAINAGE INLET PROTECTION**  
VARIOUS LOCATIONS

JOHN BLACK AVENUE - TYPE I RETROFIT  
BETWEEN MAIN ST & SCOTIA ST  
PLAN & SECTIONS

SHEET 5 OF 6  
CITY DRAWING NUMBER  
LD-3321  
REV 0

BID OPPORTUNITY NO. 83-2006