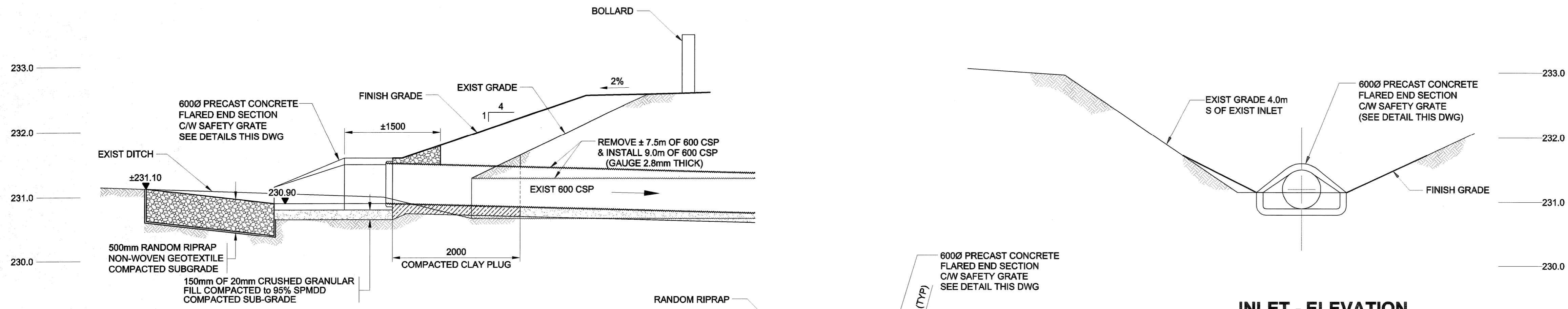


D SIZE 22" x 34" (559mm x 864mm)

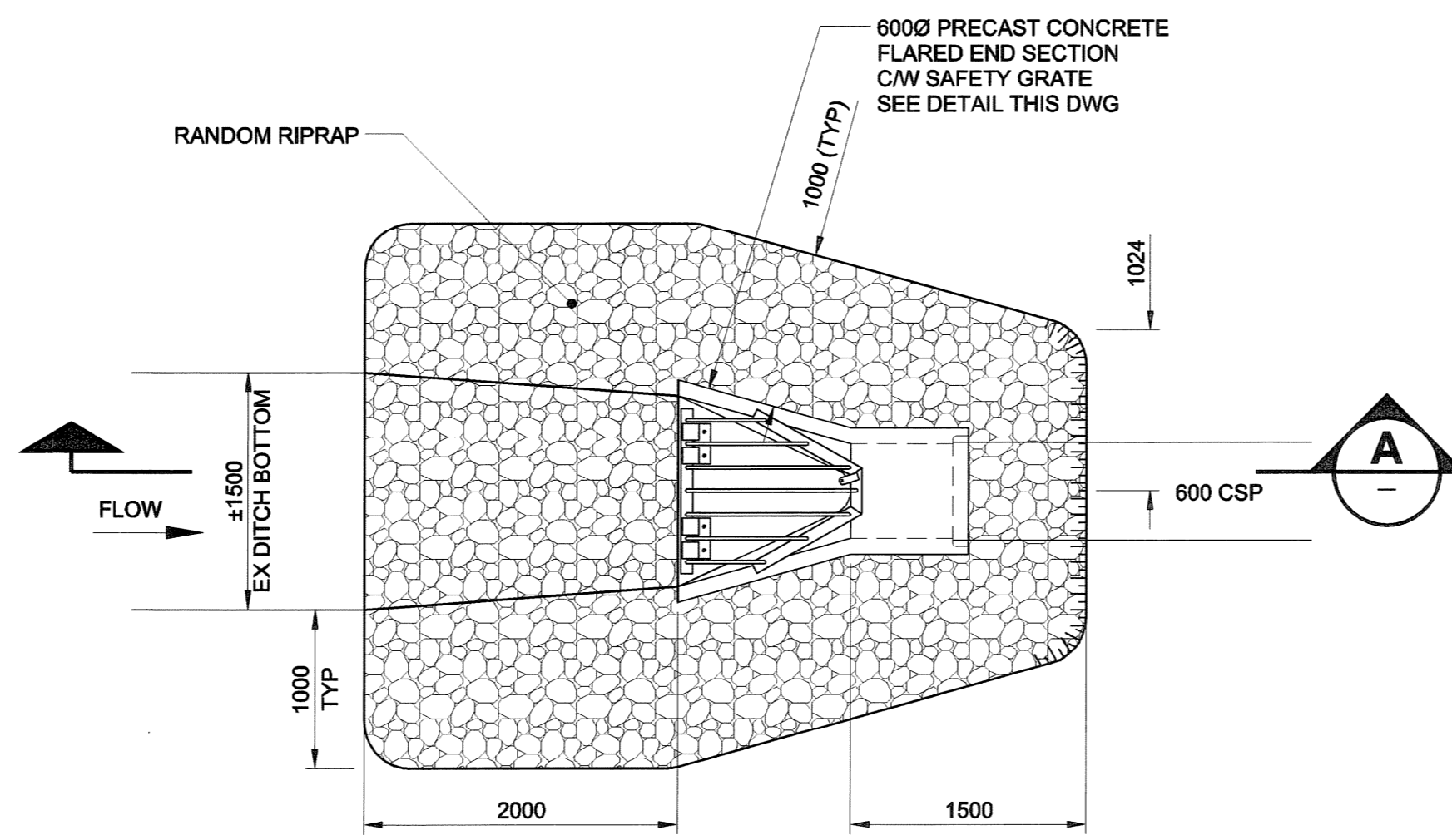
PLOT: 06/03/17 10:44:01 AM

UMA FILE NAME: D265-204-00_00-C-0005_RX.dwg Saved By: kberard



SECTION A

SCALE 1:40

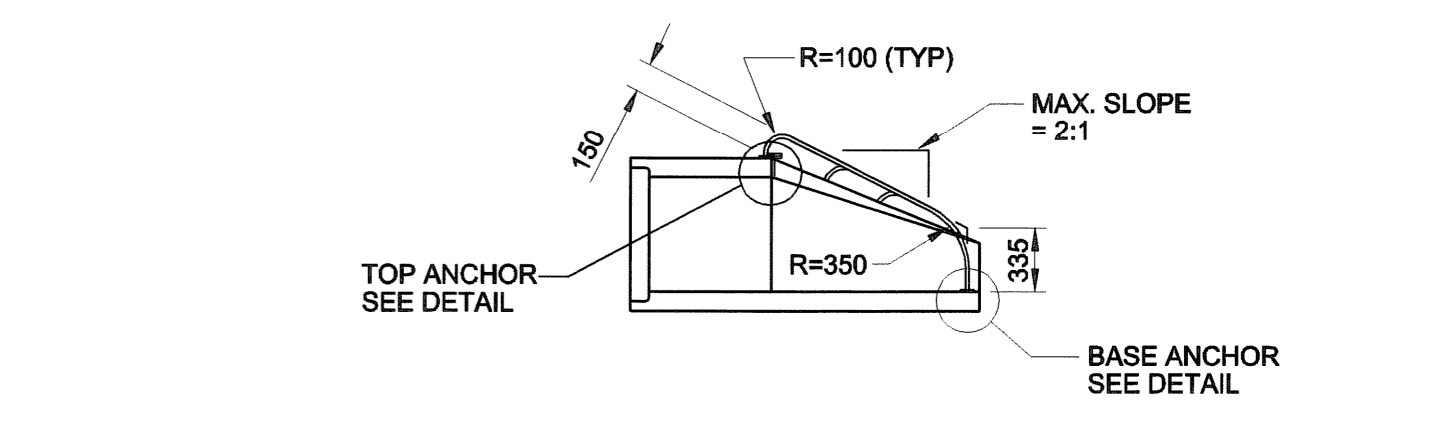


INLET - PLAN

SCALE 1:40

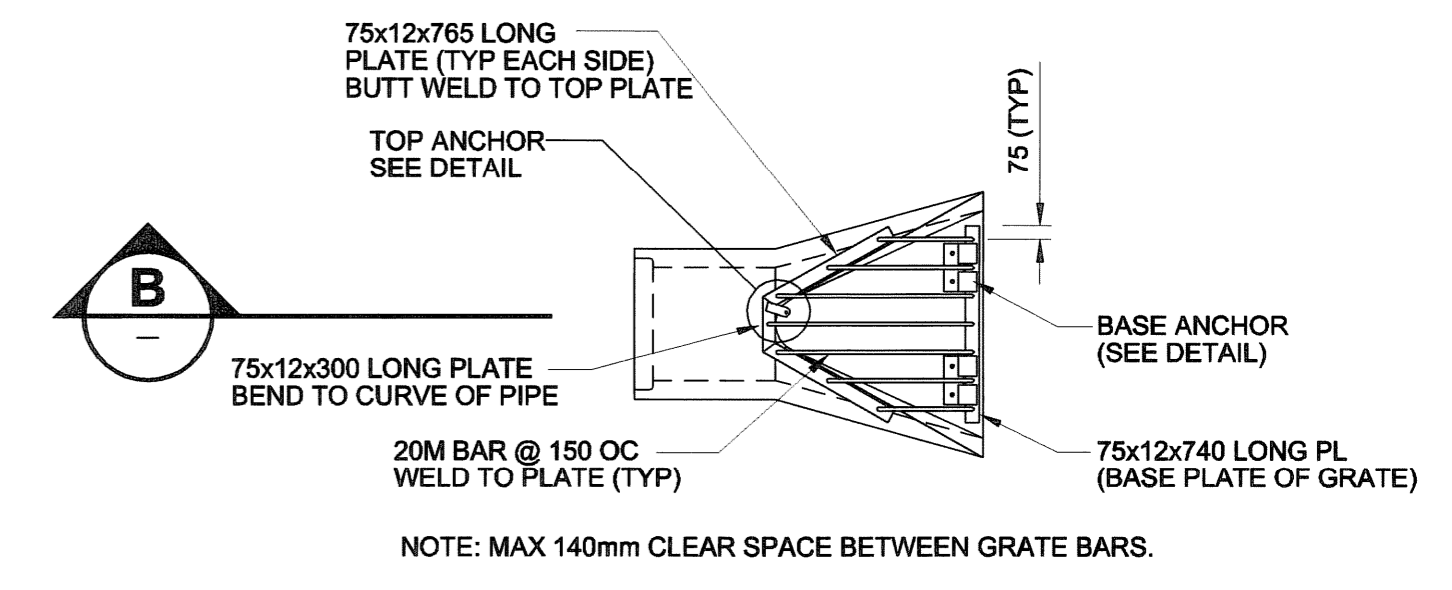
INLET - ELEVATION

SCALE 1:40



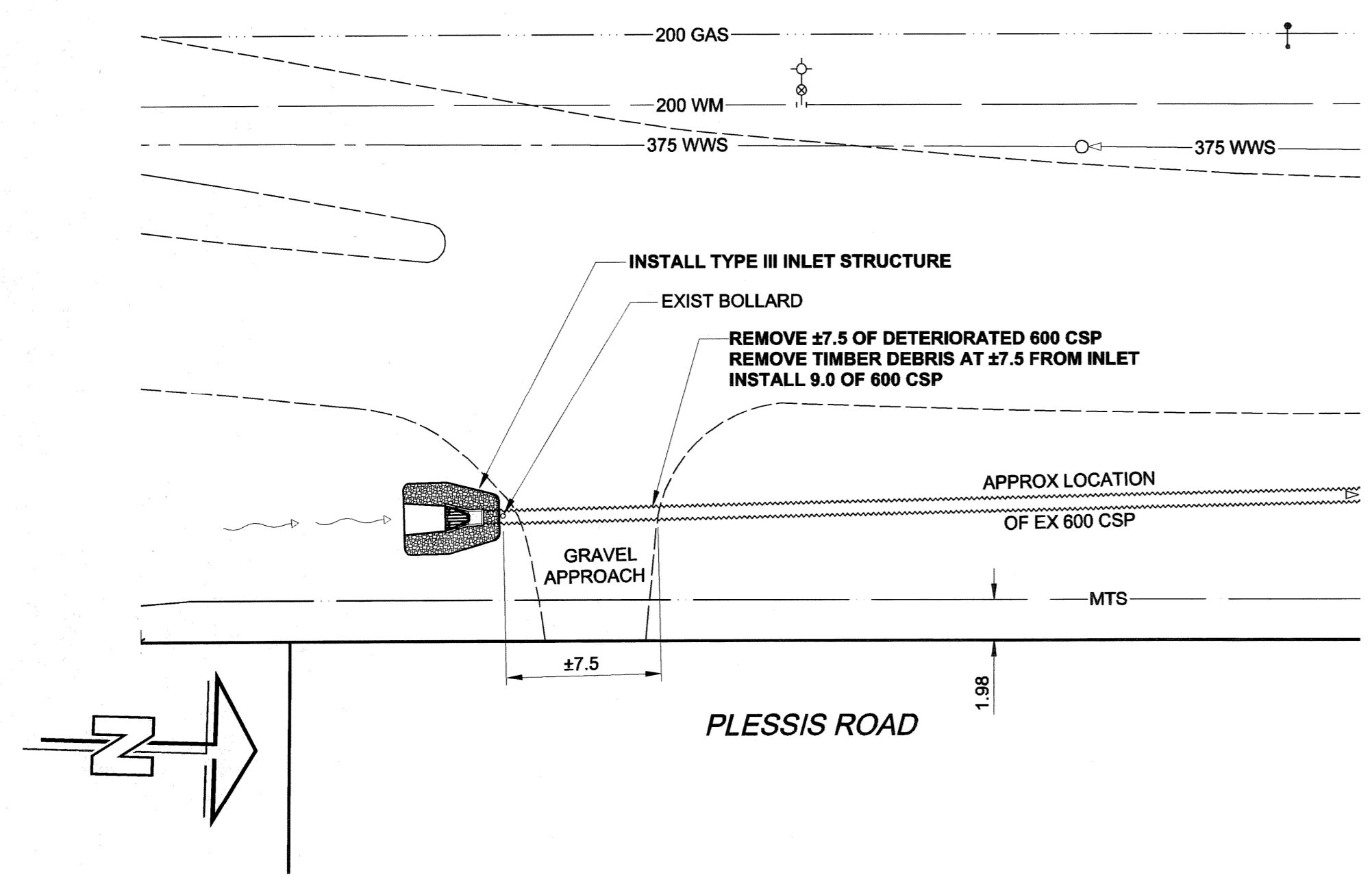
SECTION B

SCALE 1:40



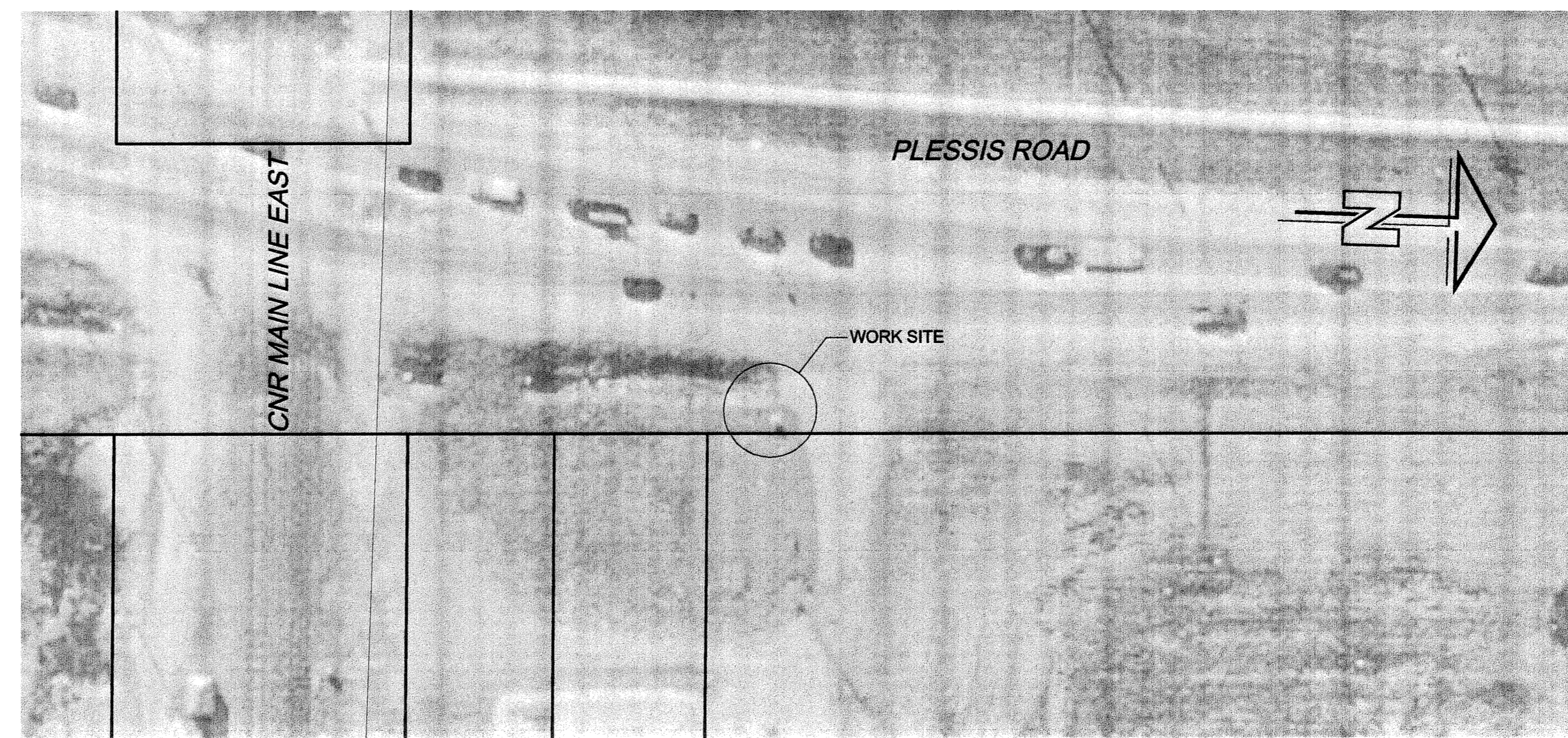
INLET SAFETY GRATE

SCALE 1:40



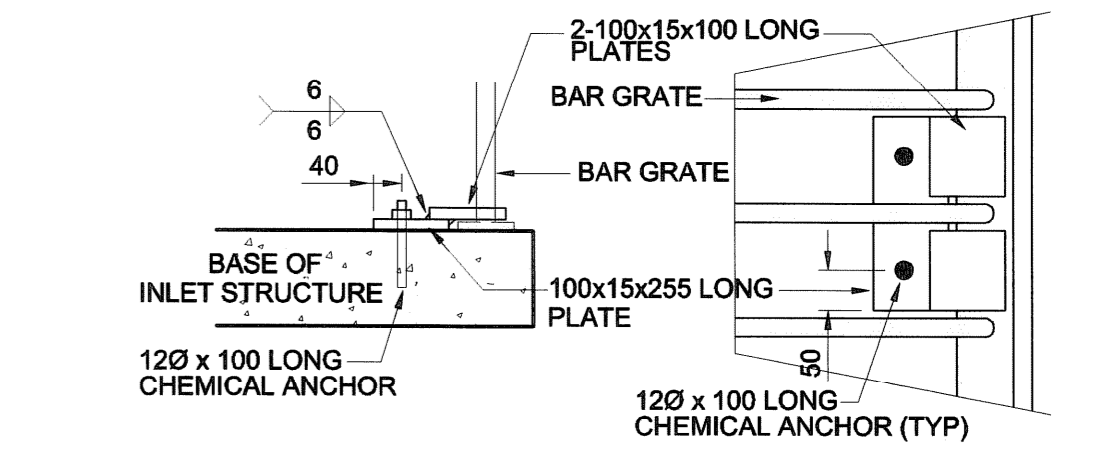
PLAN

SCALE 1:250



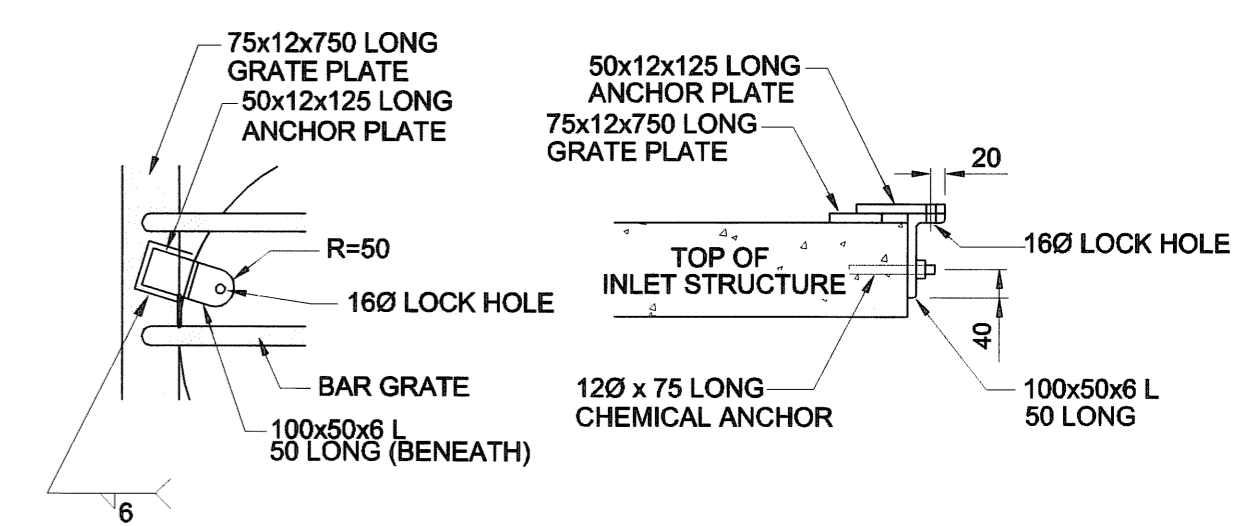
SITE PLAN

SCALE 1:500



BASE ANCHOR DETAILS

SCALE 1:50



TOP ANCHOR DETAILS

SCALE 1:50

METRIC
WHOLE NUMBERS INDICATE MILLIMETRES
DECIMALIZED NUMBERS INDICATE METRES

LOCATION APPROVED
UNDERGROUND STRUCTURES

SUPR. U/G STRUCTURES DATE COMMITTEE
NOTE: LOCATION OF UNDERGROUND STRUCTURES AS SHOWN ARE BASED ON THE BEST INFORMATION AVAILABLE. BUT NO GUARANTEE IS GIVEN THAT ALL EXISTING UTILITIES ARE SHOWN OR THAT THE GIVEN LOCATIONS ARE EXACT. CONFIRMATION OF EXISTENCE AND EXACT LOCATION OF ALL SERVICES MUST BE OBTAINED FROM THE INDIVIDUAL UTILITIES BEFORE PROCEEDING WITH CONSTRUCTION.

NO.	REVISIONS	DATE	BY
0	ISSUED FOR CONSTRUCTION	06/03/17	KMB
		YYMMDD	

DESIGNED BY		CHECKED BY	
MAG		[Signature]	
DRAWN BY		APPROVED BY	
KMB		[Signature]	
HOR. SCALE		VERT. SCALE	
AS NOTED		AS NOTED	
DATE		DATE	
04/03/17		04/03/20	

APEN
Certificate of Authorization
UMA Engineering Ltd.
No. 256 Expiry: April 30, 2006

PROFESSIONAL'S SEAL
W. T. JACKSON
Member
20782
17/03/20
CONSULTANT DRAWING NO. 04
D265-204-00

THE CITY OF WINNIPEG
WATER AND WASTE DEPARTMENT

CULVERT AND DRAINAGE INLET PROTECTION
VARIOUS LOCATIONS

PLESSIS ROAD - TYPE III RETROFIT
BETWEEN CNR REDDIT SUBDIVISION AND KERNAHAN AVENUE

PLAN & SECTIONS

SHEET 4 OF 6
CITY DRAWING NUMBER
LD-3320
REV 0

BID OPPORTUNITY NO. 83-2006