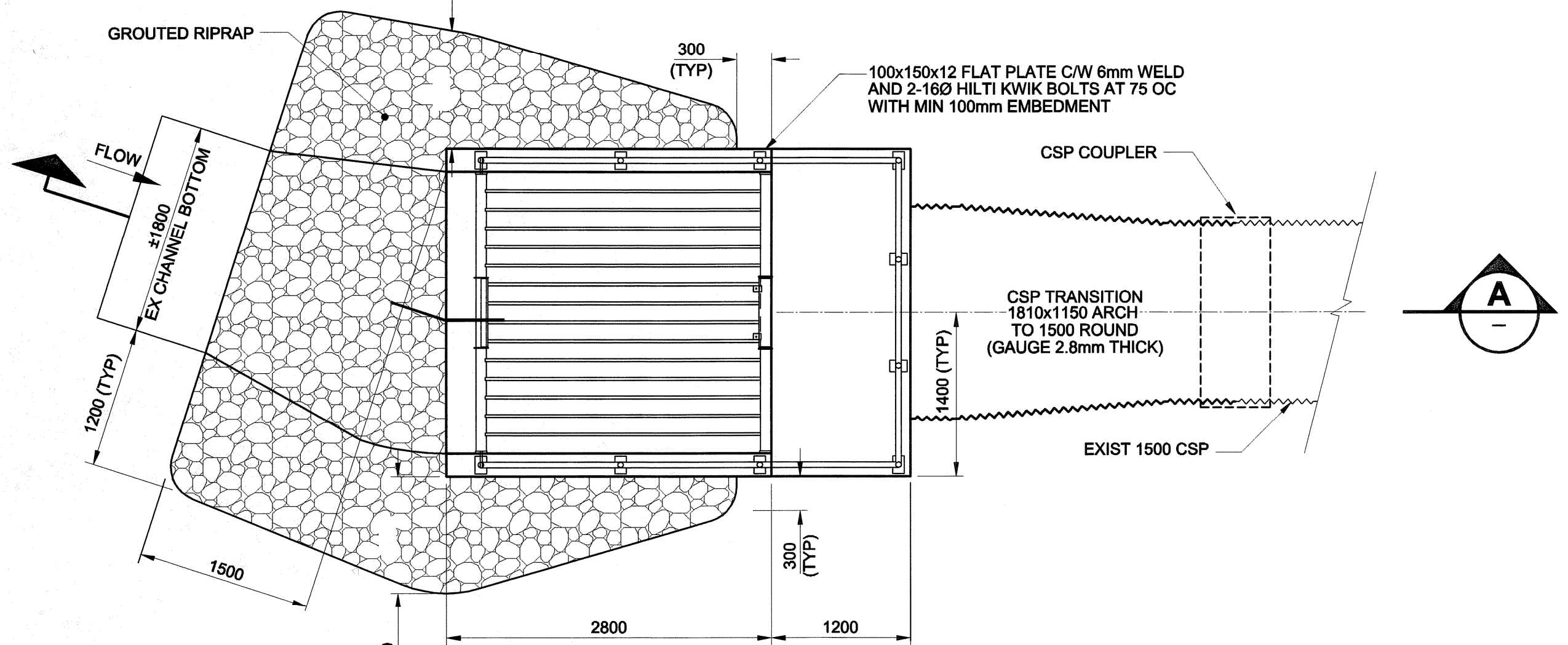
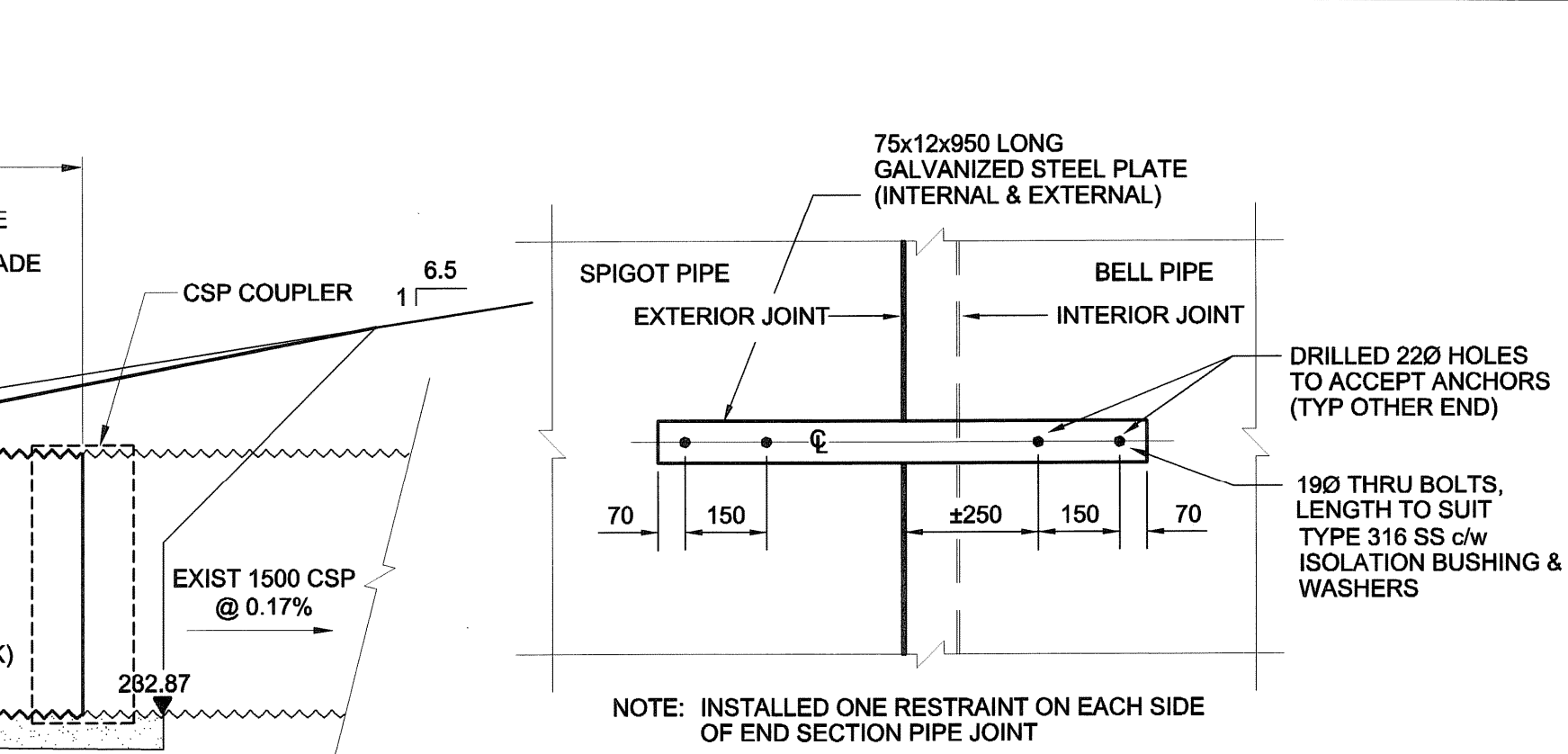
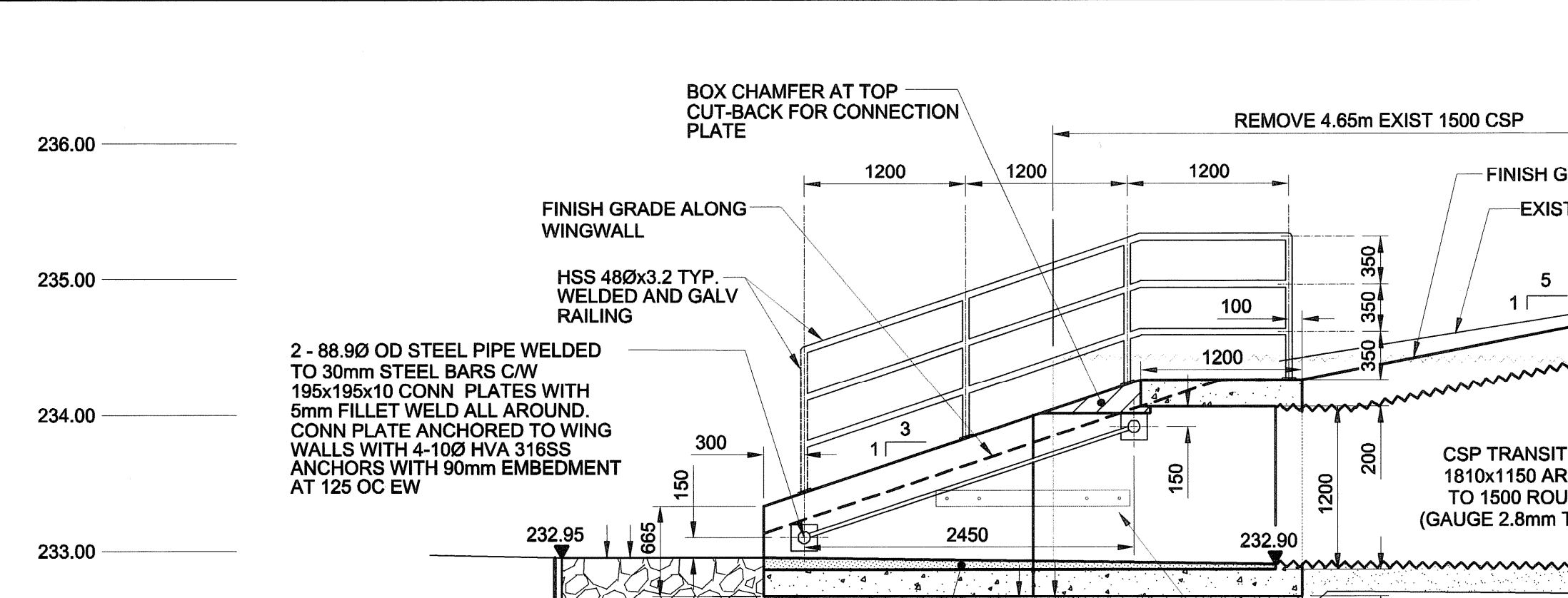
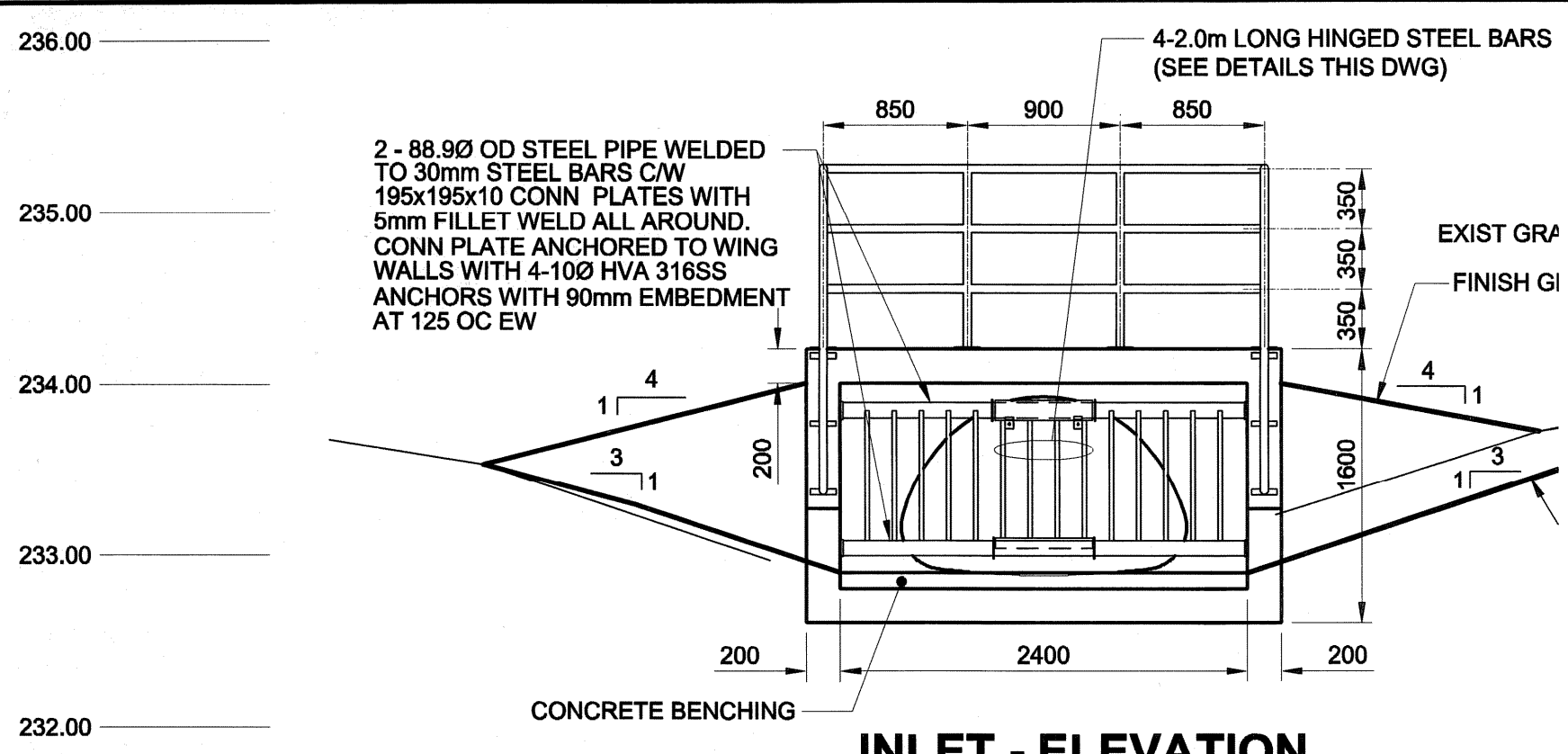


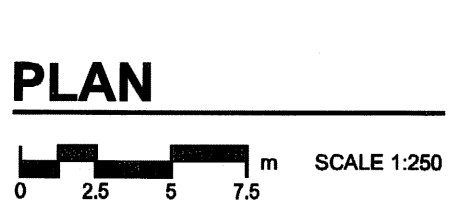
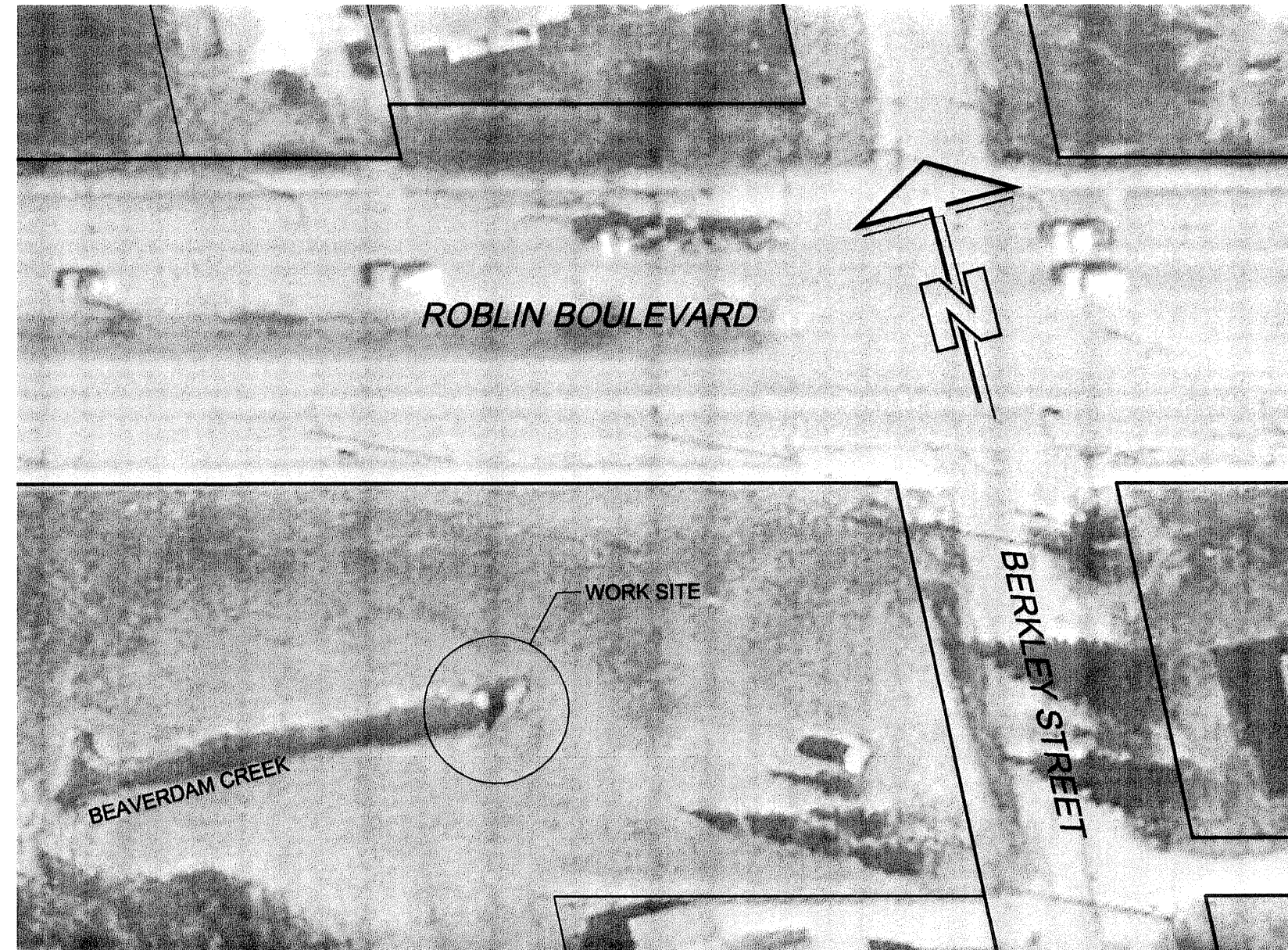
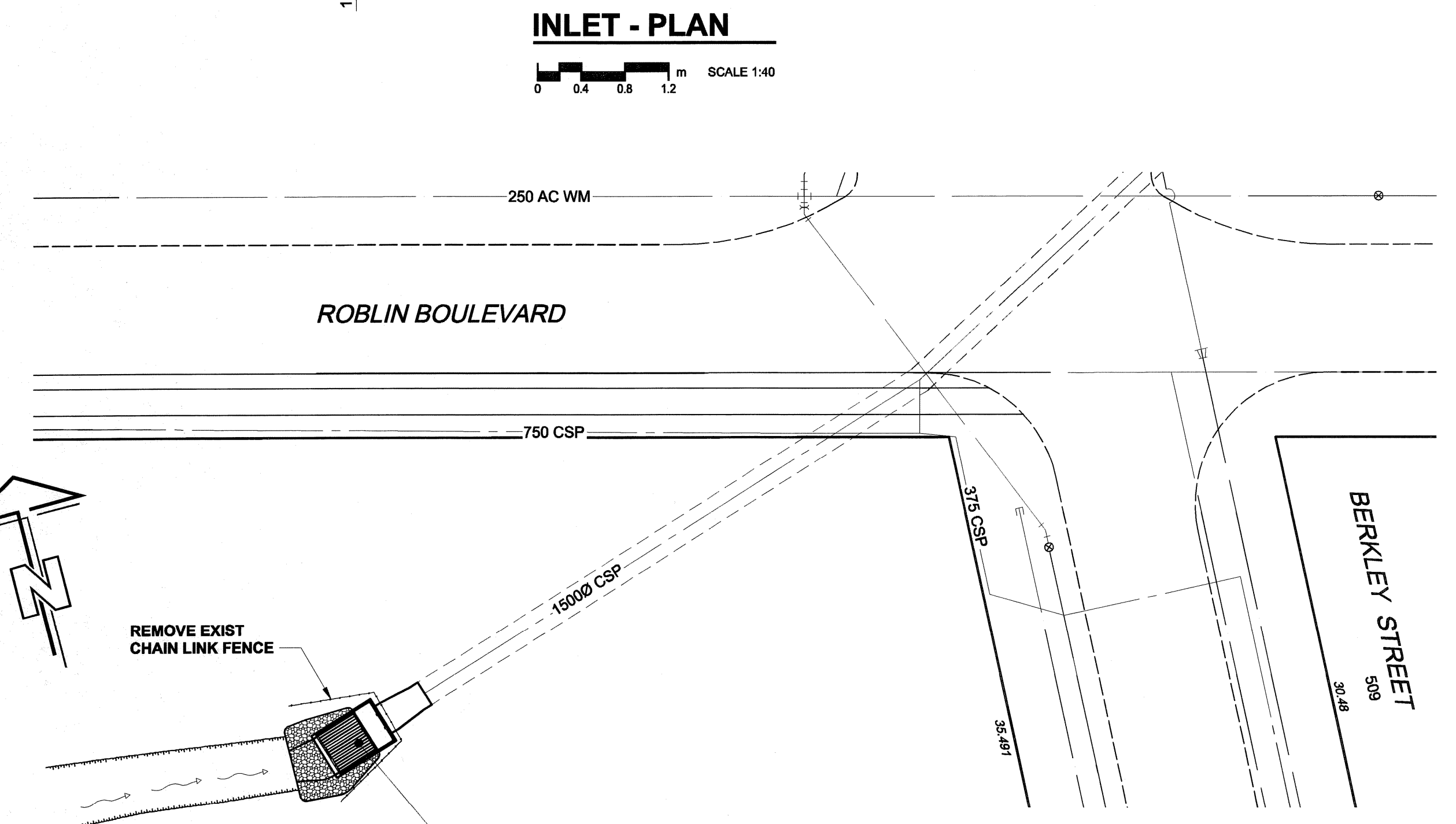
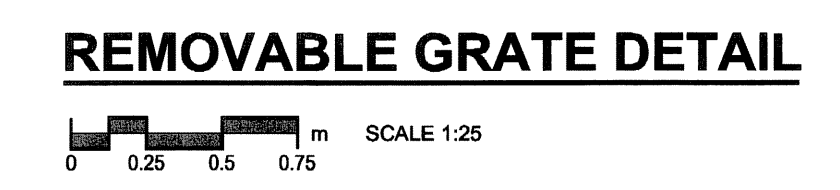
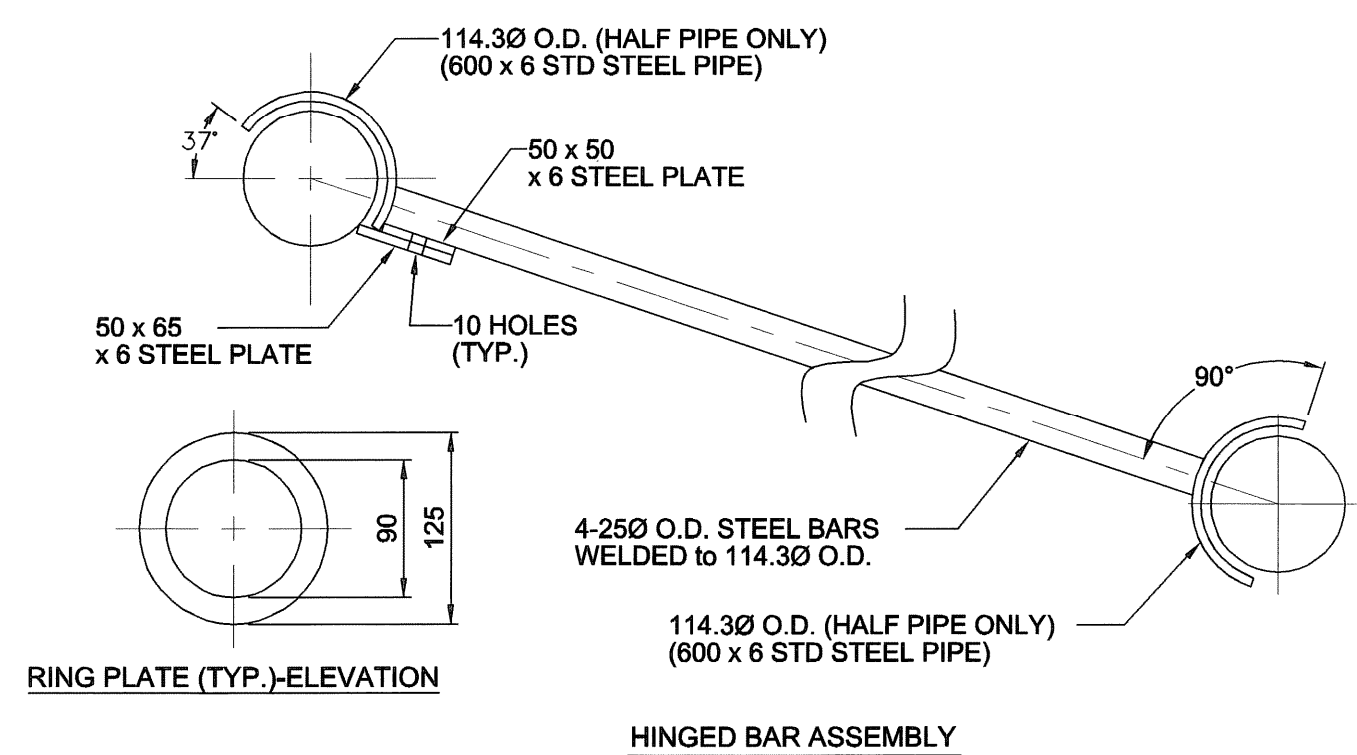
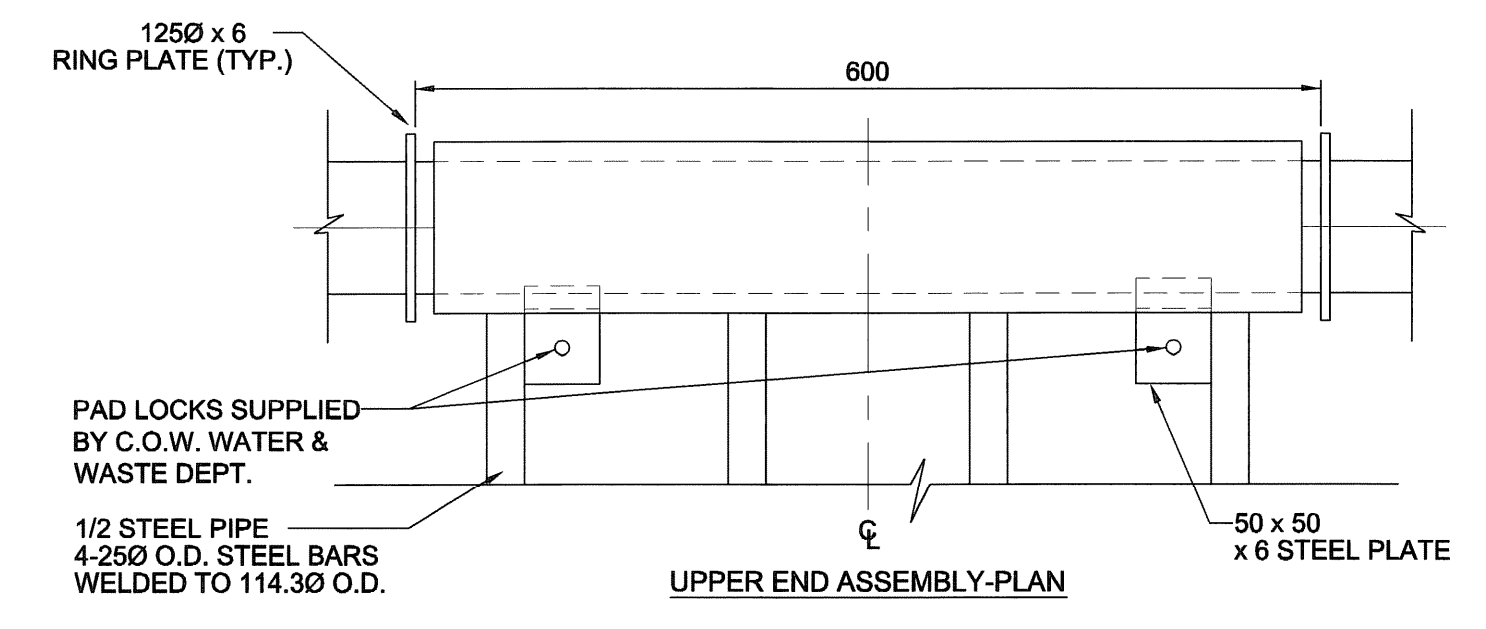
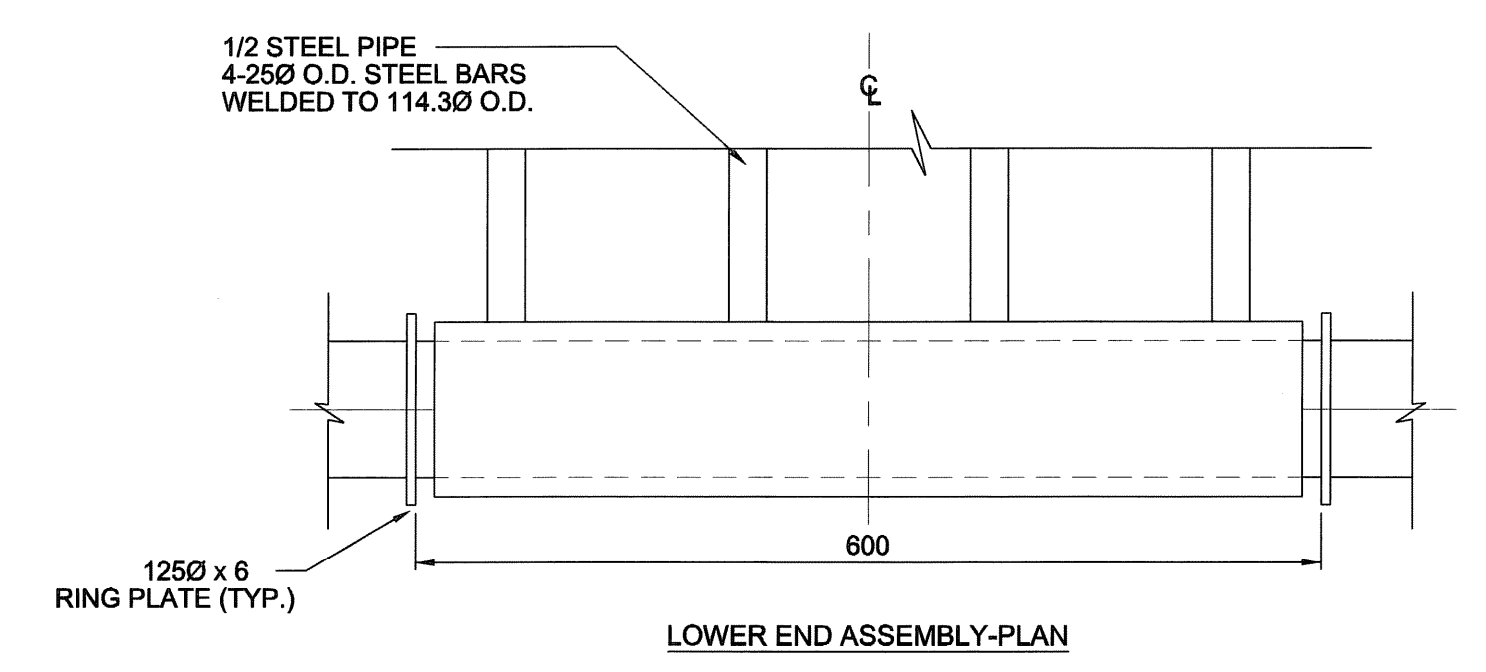
D SIZE 22" x 34" (559mm x 864mm)

PLOT: 06/03/17 10:47:04 AM

UMA FILE NAME: D265-204-00_00-C-0002_RX.dwg Saved By: lbebrand



- GENERAL NOTES:**
- METAL FABRICATIONS:**
1. PROVIDE SHOP DRAWINGS FOR APPROVAL PRIOR TO CONSTRUCTION.
 2. MATERIAL: GALVANIZED STEEL
 3. WELDING: STEEL TO CSA W59-M1989.
 4. STEEL SECTIONS & PLATES: TO CAN3 G40.21-92 GRADE 300.
 5. HOLLOW STRUCTURAL SECTIONS TO CAN3 G40.21-92 GRADE 350 CLASS C.
- BACKFILL**
1. BACKFILL BEHIND WING WALLS WITH 100mm TOPSOIL
 2. 200mm CLAY COMPACTED TO 95% STANDARD PROCTOR DENSITY
 3. BACKFILL REMAINDER WITH 20mm DOWN GRANULAR COMPACTED TO 95% STANDARD PROCTOR DENSITY.
 4. RESTORE CONSTRUCTION AREA AS PER CW 3520, CLAUSE 5.3.1



METRIC
WHOLE NUMBERS INDICATE MILLIMETRES
DECIMALIZED NUMBERS INDICATE METRES

LOCATION APPROVED UNDERGROUND STRUCTURES

SUPR.	U/G STRUCTURES	DATE	COMMITTEE
0	ISSUED FOR CONSTRUCTION	06/03/17	KMB
NO.	REVISIONS	YYMMDD	BY

NOTE:
LOCATION OF UNDERGROUND STRUCTURES AS SHOWN ARE BASED ON THE BEST INFORMATION AVAILABLE. BUT NO GUARANTEE IS GIVEN THAT ALL EXISTING UTILITIES ARE SHOWN OR THAT THE GIVEN LOCATIONS ARE EXACT. CONFIRMATION OF EXISTENCE AND EXACT LOCATION OF ALL SERVICES MUST BE OBTAINED FROM THE INDIVIDUAL UTILITIES BEFORE PROCEEDING WITH CONSTRUCTION.

UMA | AECOM

© 2006 UMA ENGINEERING LTD. ALL RIGHTS RESERVED.

DESIGNED BY	MAG	CHECKED BY	[Signature]
DRAWN BY	KMB	APPROVED BY	[Signature]
HOR. SCALE	AS NOTED	RELEASED FOR CONSTRUCTION	[Signature]
VERT. SCALE	AS NOTED	DATE	06/03/17

PROFESSIONAL'S SEAL

UMA Engineering Ltd.
No. 256 Expiry: April 30, 2006

PROVINCE OF MANITOBA
W. T. JACKSON
Member
20782
17/03/06
REGISTERED PROFESSIONAL ENGINEER

CONSULTANT DRAWING NO. 02
D265-204-00

THE CITY OF WINNIPEG WATER AND WASTE DEPARTMENT

CULVERT AND DRAINAGE INLET PROTECTION VARIOUS LOCATIONS

BEAVERDAM CREEK AT BERKLEY STREET - TYPE IV RETROFIT AT ROBLIN BOULEVARD

PLAN & SECTIONS

SHEET 2 OF 6

CITY DRAWING NUMBER LD-3318

REV 0

BID OPPORTUNITY NO. 83-2006