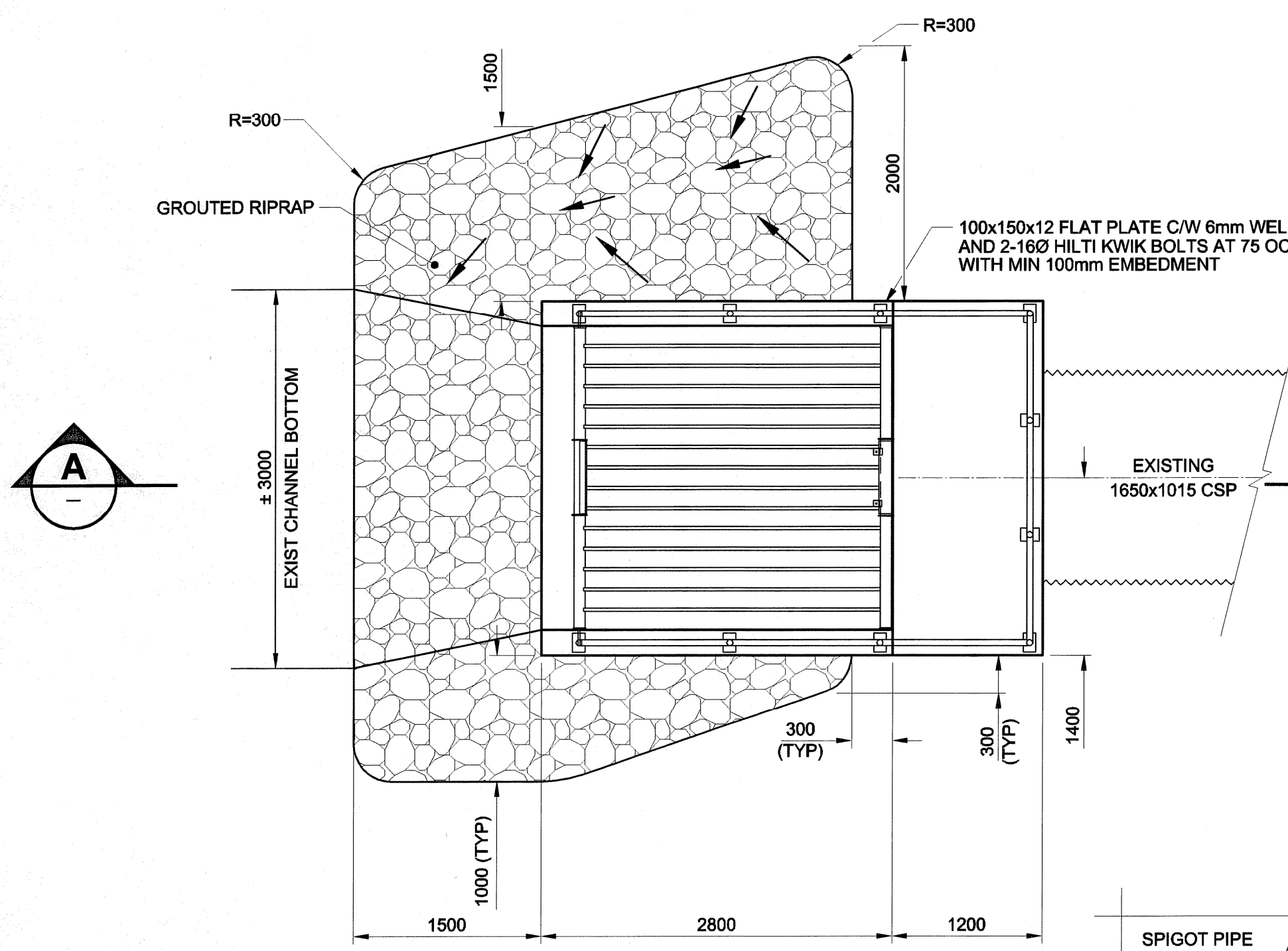


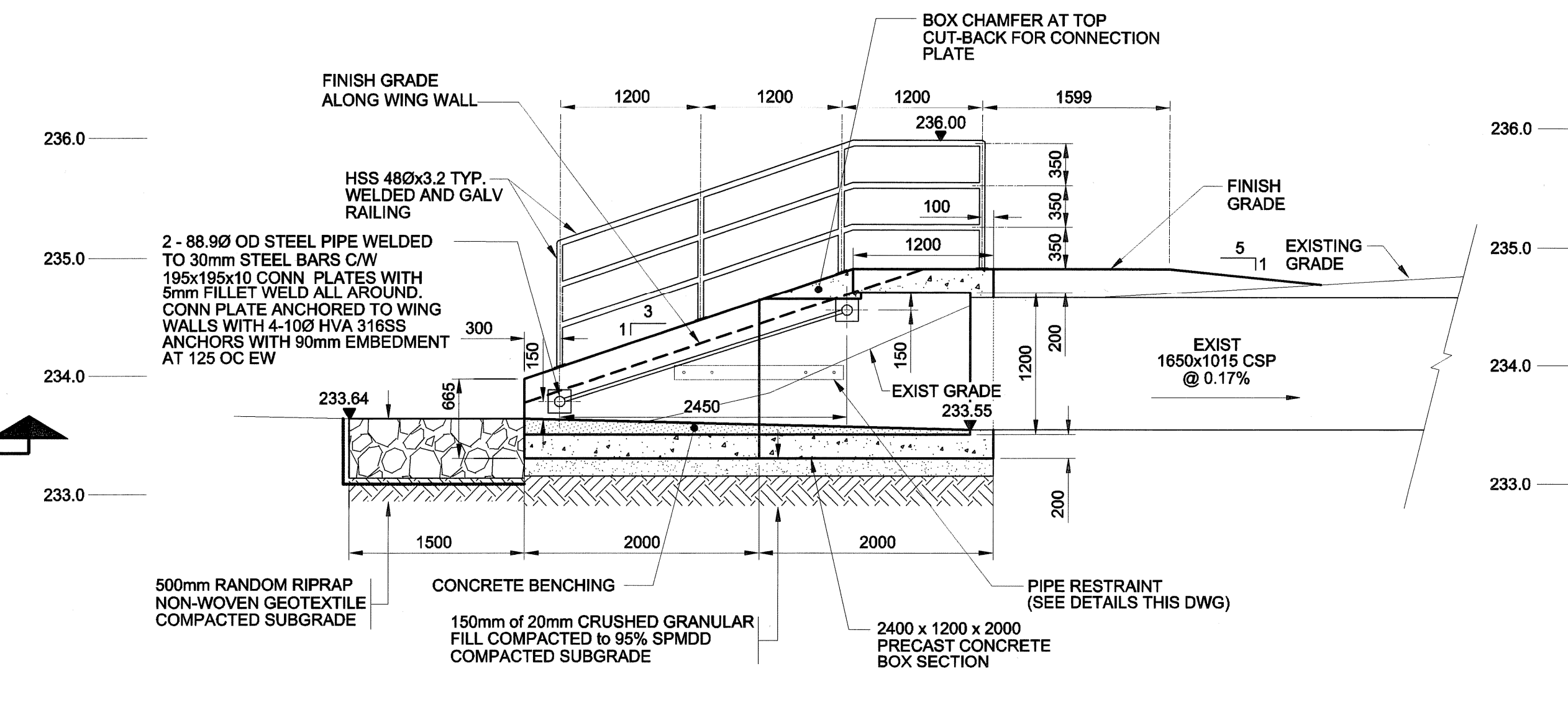
D SIZE 22" x 34" (559mm x 864mm)

PLOT: 08/03/17 10:24:03 AM

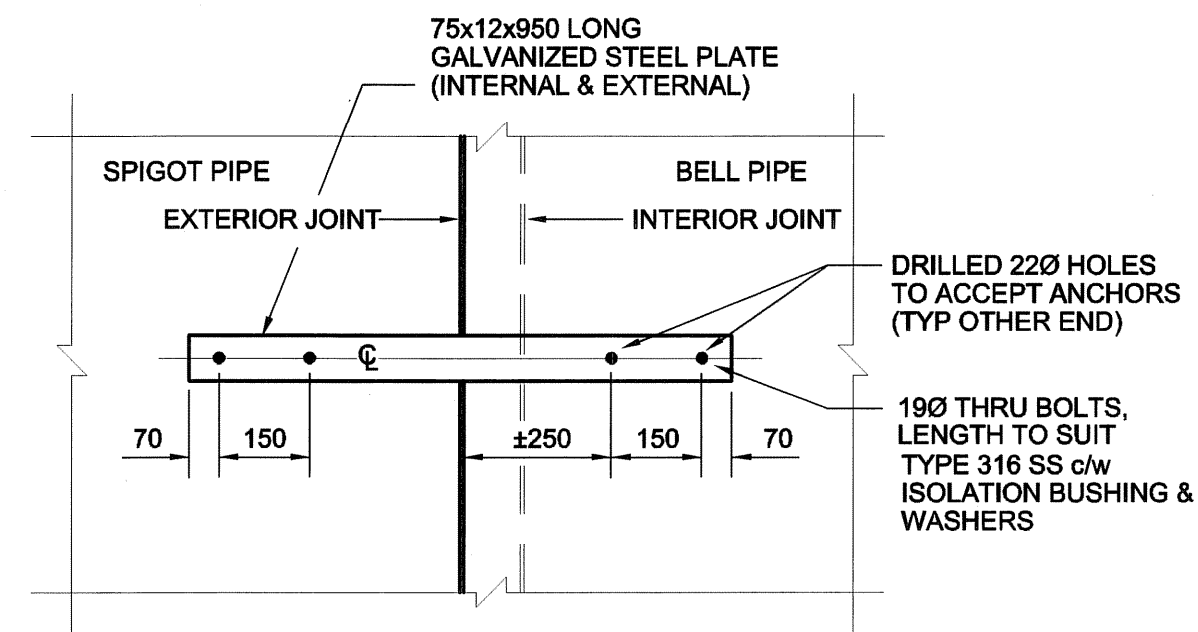
UMA FILE NAME: D265-204-00_00-C-0001_RX.dwg Saved By: kberard



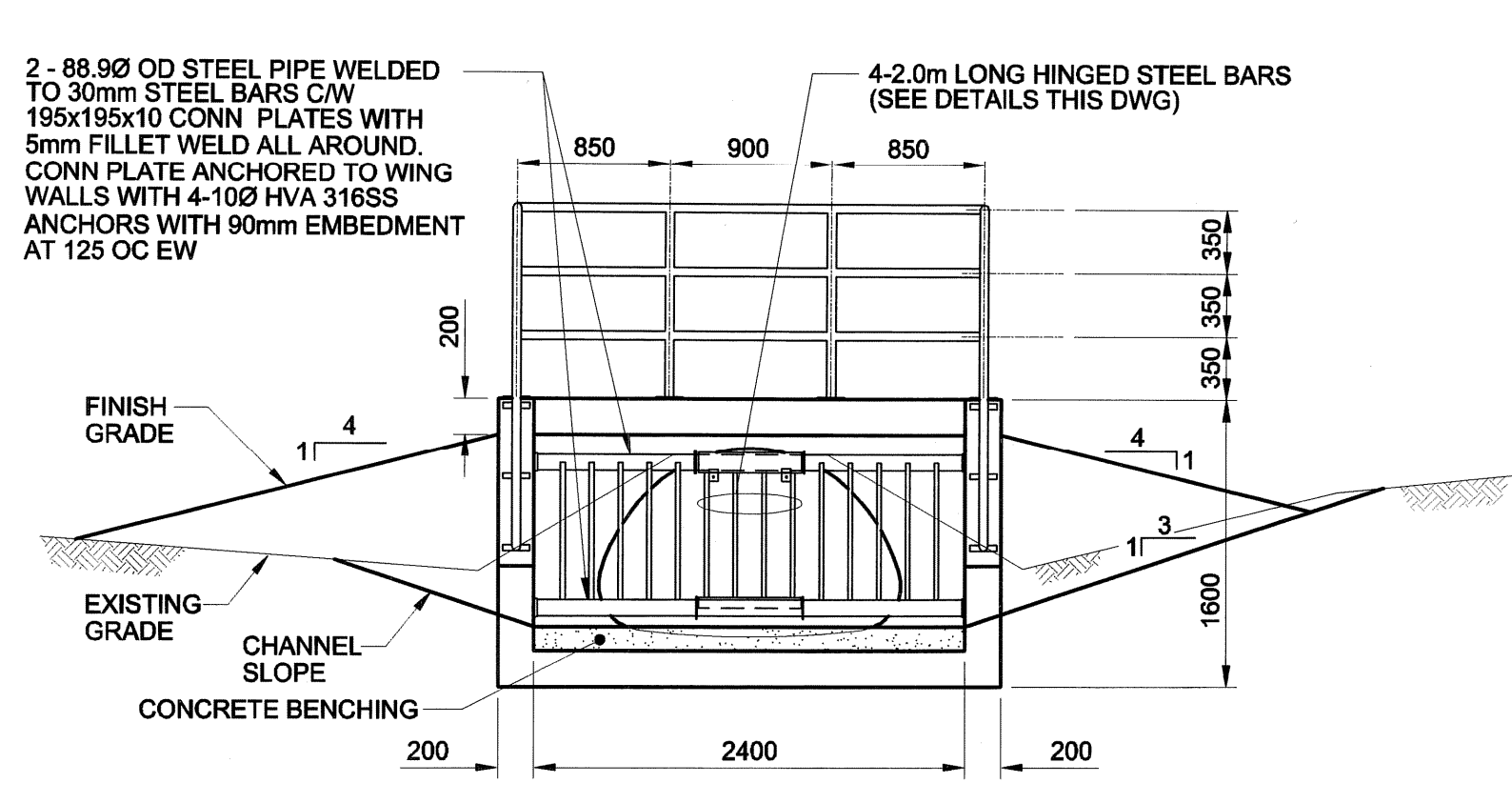
INLET - PLAN
SCALE 1:40



SECTION A
SCALE 1:40

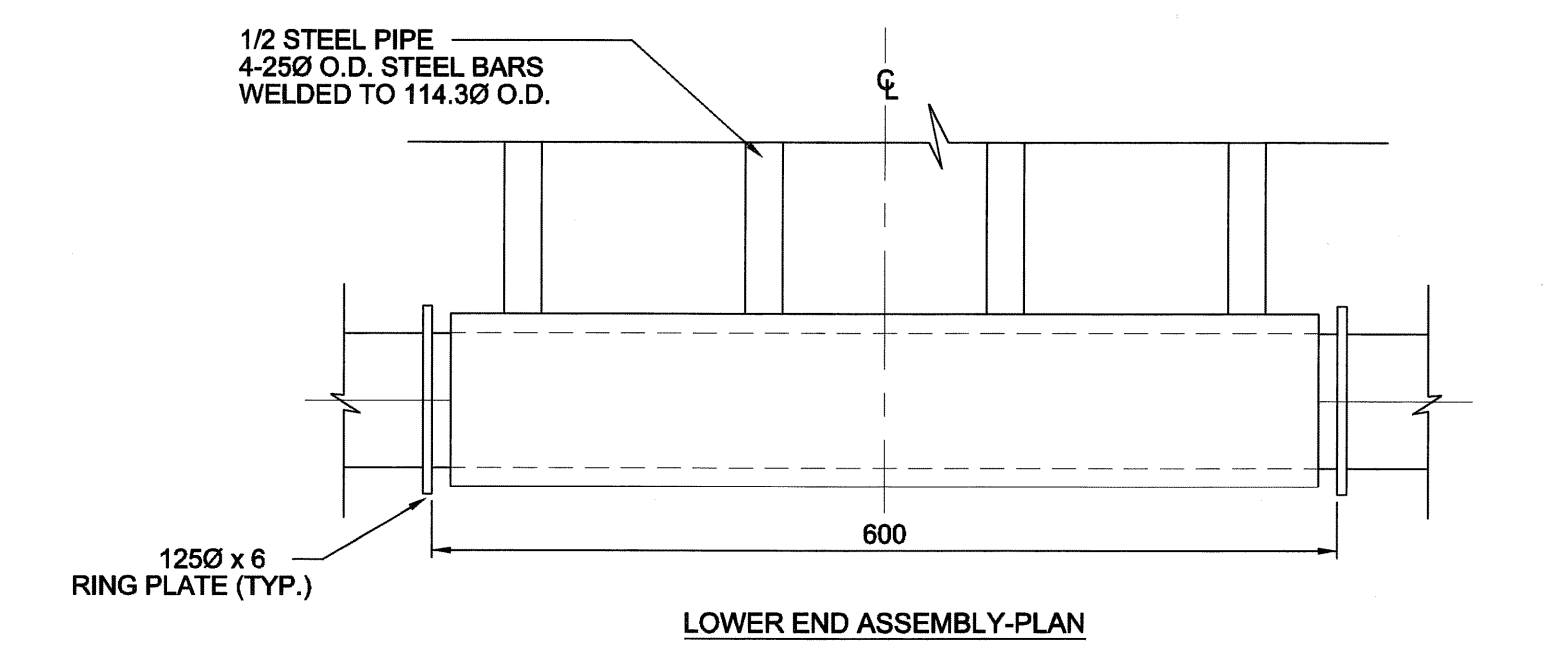


PIPE RESTRAINT DETAIL
SCALE 1:25

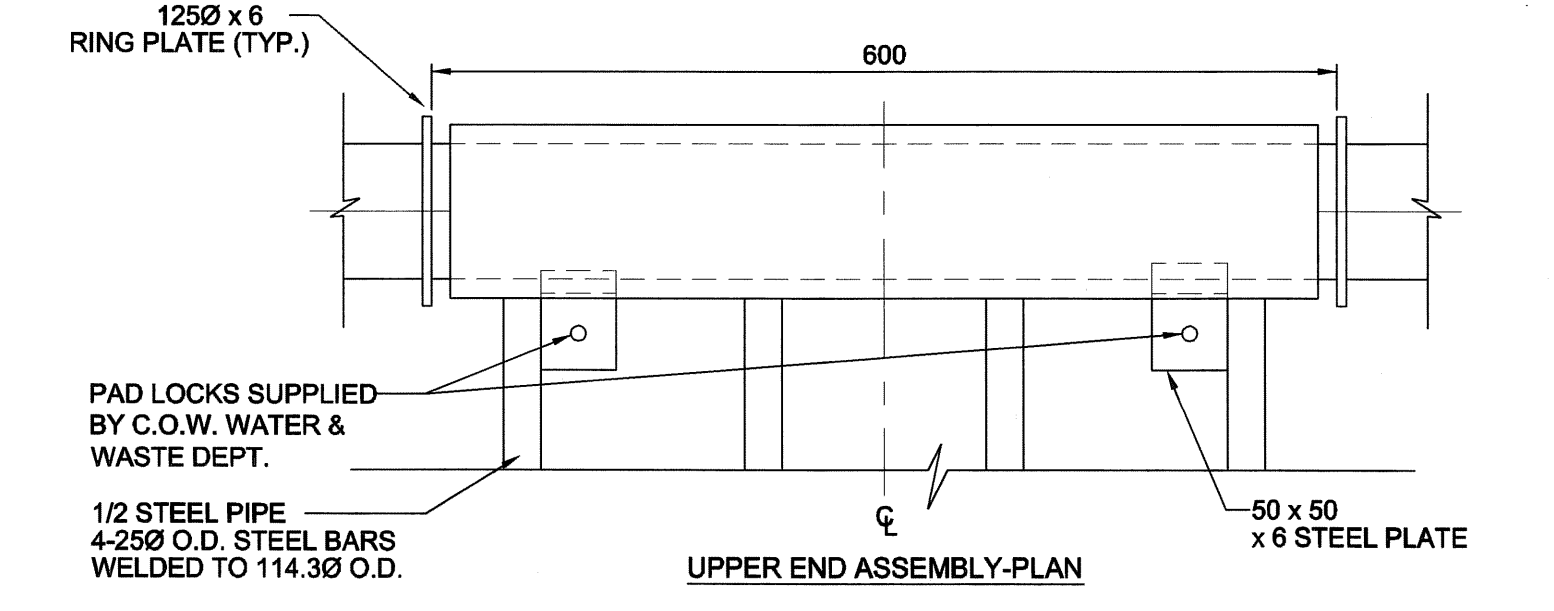


INLET - ELEVATION
SCALE 1:40

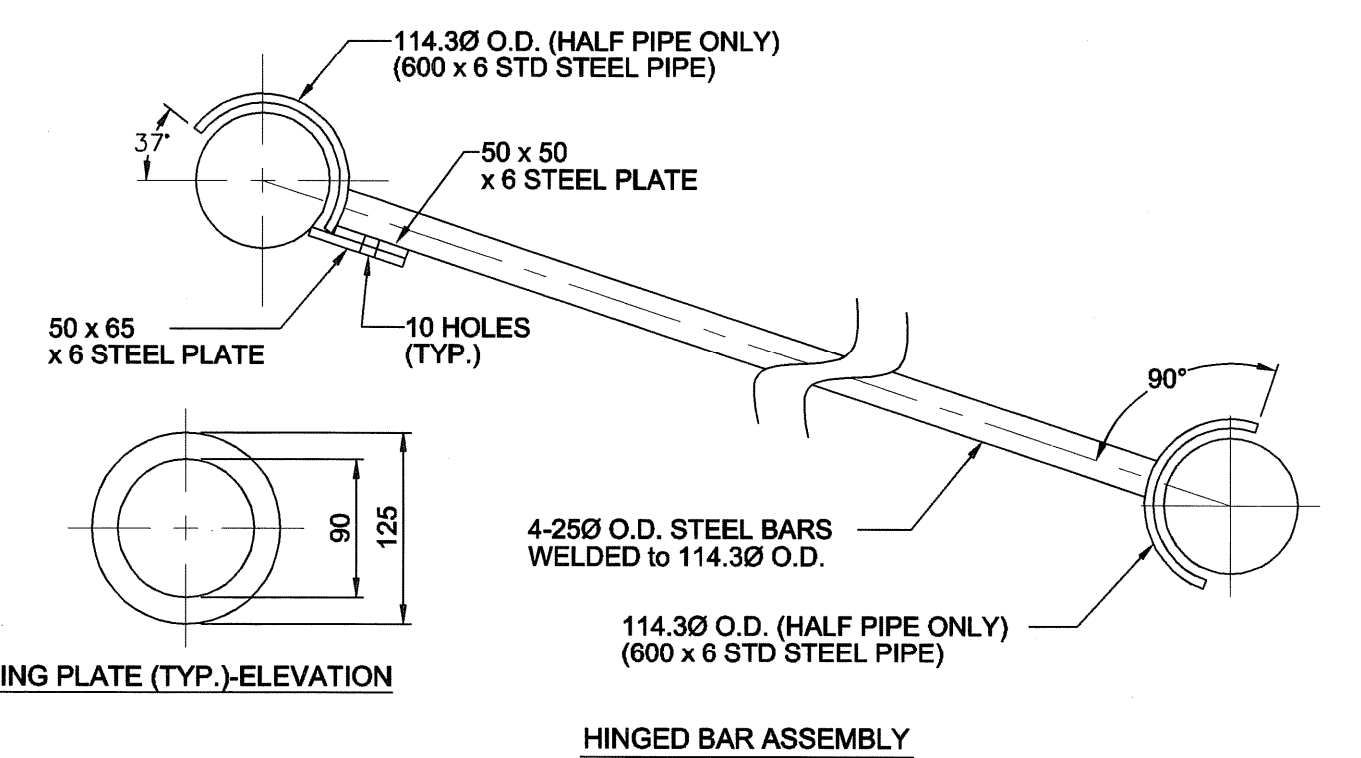
- GENERAL NOTES:**
- METAL FABRICATIONS:**
1. PROVIDE SHOP DRAWINGS FOR APPROVAL PRIOR TO CONSTRUCTION.
 2. MATERIAL: GALVANIZED STEEL
 3. WELDING: STEEL TO CSA W59-M1989.
 4. STEEL SECTIONS & PLATES: TO CAN3 G40.21-92 GRADE 300.
 5. HOLLOW STRUCTURAL SECTIONS TO CAN3 G40.21-92 GRADE 350 CLASS C.
- BACKFILL**
1. BACKFILL BEHIND WING WALLS WITH 100mm TOPSOIL
 - 200mm CLAY COMPACTED TO 95% STANDARD PROCTOR DENSITY
 - BACKFILL REMAINDER WITH 20mm DOWN GRANULAR COMPACTED TO 95% STANDARD PROCTOR DENSITY.
 2. RESTORE CONSTRUCTION AREA AS PER CW 3520, CLAUSE 5.3.1



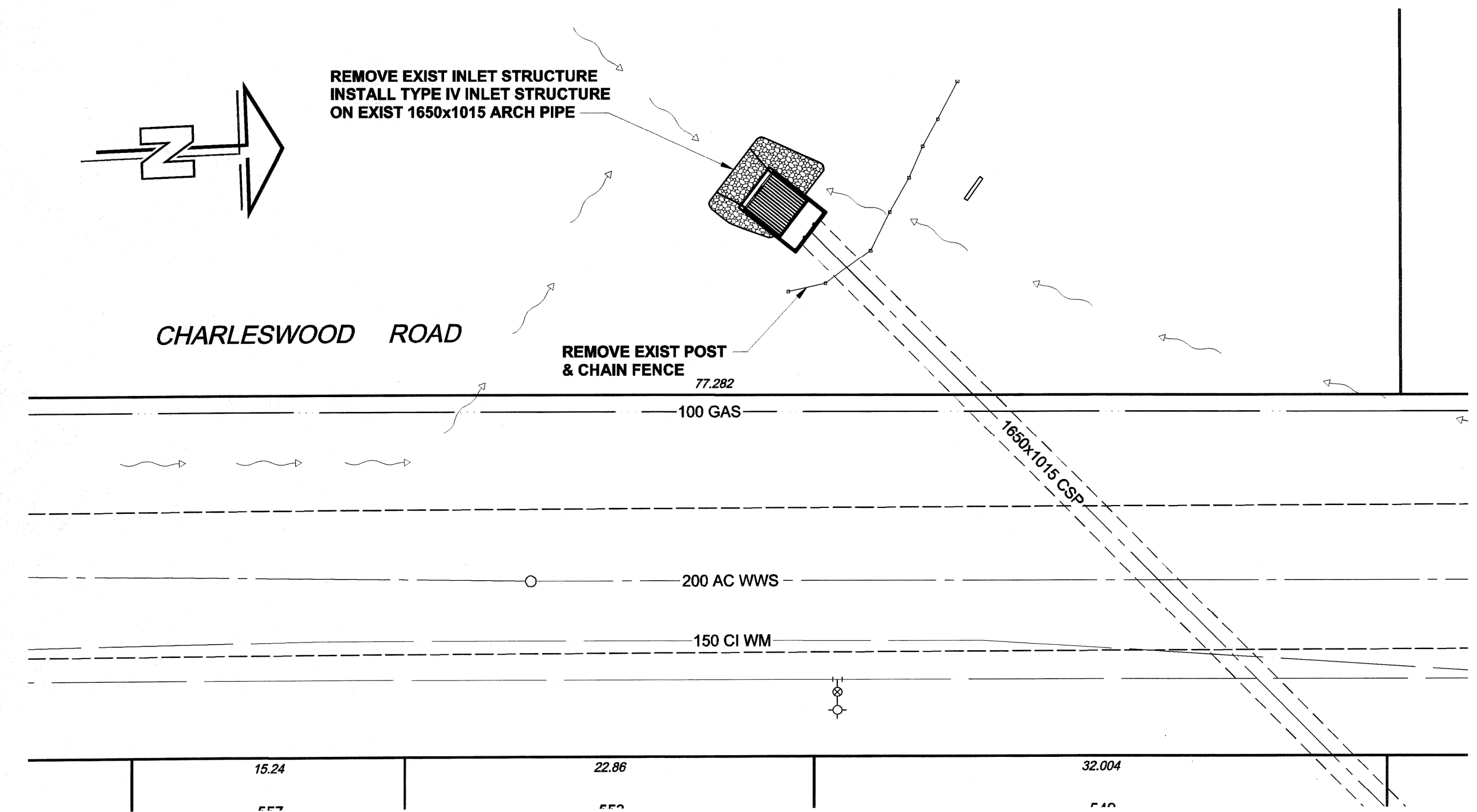
LOWER END ASSEMBLY-PLAN



UPPER END ASSEMBLY-PLAN



REMOVABLE GRATE DETAIL
SCALE 1:25



SITE PLAN
SCALE 1:1500

PLAN
SCALE 1:250

METRIC
WHOLE NUMBERS INDICATE MILLIMETRES
DECIMALIZED NUMBERS INDICATE METRES

LOCATION APPROVED
UNDERGROUND STRUCTURES

SUPR. U/G STRUCTURES COMMITTEE DATE

NOTE:
LOCATION OF UNDERGROUND STRUCTURES AS SHOWN ARE BASED ON THE BEST INFORMATION AVAILABLE. BUT NO GUARANTEE IS GIVEN THAT ALL EXISTING UTILITIES ARE SHOWN OR THAT THE GIVEN LOCATIONS ARE EXACT. CONFIRMATION OF EXISTENCE AND EXACT LOCATION OF ALL SERVICES MUST BE OBTAINED FROM THE INDIVIDUAL UTILITIES BEFORE PROCEEDING WITH CONSTRUCTION.

NO.	REVISIONS	YYMMDD	BY	DATE
0	ISSUED FOR CONSTRUCTION	08/03/17	KMB	
1				

DESIGNED BY		CHECKED BY	
MAG			
DRAWN BY		APPROVED BY	
KMB			
HOR. SCALE		VERT. SCALE	
AS NOTED	AS NOTED		
RELEASED FOR CONSTRUCTION		DATE	
		06/03/17	06/03/20

APCGM
Certificate of Authorization
UMA Engineering Ltd.
No. 256 Expiry: April 30, 2006

PROFESSIONAL'S SEAL
PROVINCE OF MANITOBA
MEMBER
N.W. T. JACKSON
20782
17/03/06
REGISTERED PROFESSIONAL ENGINEER
CONSULTANT DRAWING NO. 01
D265-204-00

THE CITY OF WINNIPEG
Winnipeg
WATER AND WASTE DEPARTMENT

CULVERT AND DRAINAGE INLET PROTECTION
VARIOUS LOCATIONS

BEAVERDAM CREEK AT CHARLESWOOD ROAD - TYPE IV RETROFIT
BETWEEN BETSWORTH AVENUE AND ROBLIN BOULEVARD

PLAN & SECTIONS

SHEET 1 OF 6
CITY DRAWING NUMBER
LD-3317
REV 0

BID OPPORTUNITY NO. 83-2006