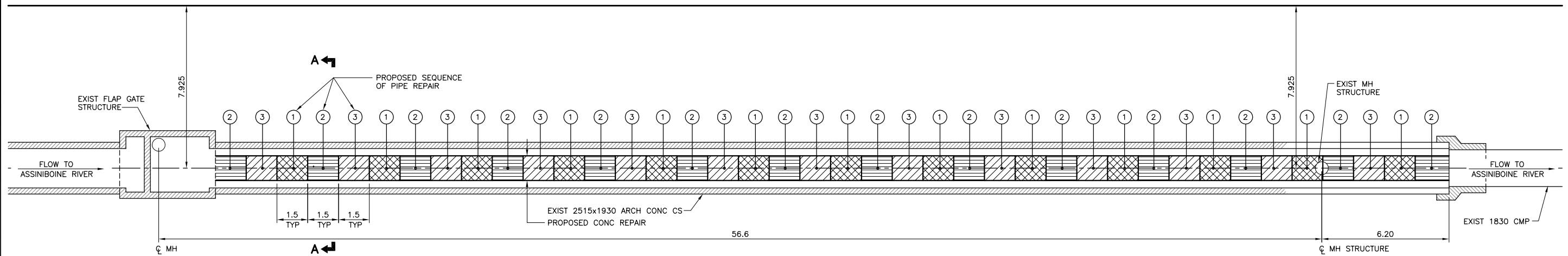
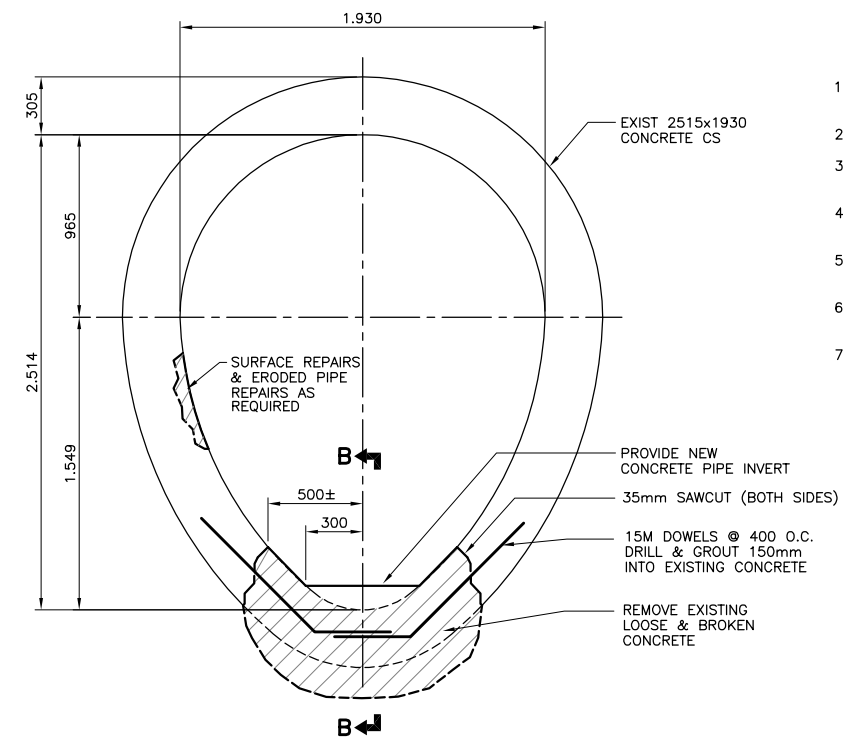




CONWAY STREET R.O.W.



PIPE REPAIR PLAN
SCALE: 1:100

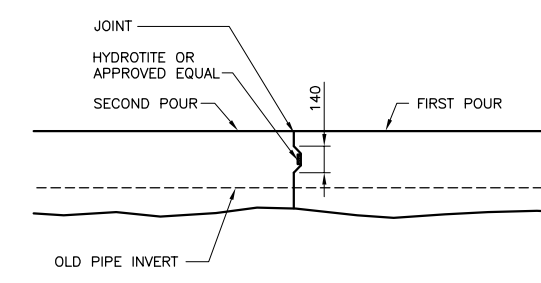


NOTE:
CONCRETE PIPE INVERT TO BE REMOVED & NEW CONCRETE PLACED IN 1.5m STAGGERED INCREMENTS (SEE PIPE REPAIR PLAN)

SECTION A-A
SCALE: 1:20

INVERT REPAIR PROCEDURE

1. COMPLETE WORK IN 1500mm LONG INCREMENTS AS SHOWN ON PLAN.
2. DEWATER SEWER.
3. REMOVE ALL SEDIMENT, DEBRIS AND LOOSE CONCRETE.
4. PROVIDE 35mm DEEP SAWCUT ALONG EACH SIDE OF INVERT.
5. KEY CONSTRUCTION JOINT AND PROVIDE WATER STOP AS DETAILED.
6. CLEAN SURFACES AND PROVIDE BONDING AGENT PRIOR TO PLACING CONCRETE.
7. PLACE CONCRETE TO FILL VOID BELOW SEWER AND TO THE SURFACE PROFILE SHOWN IN SECTION. PROVIDE TROWEL SURFACE TO EXPOSED CONCRETE.



SECTION B-B
SCALE: 1:20

P:\PROJECTS\2006\06-0107-23\MUN\DWGS\PLOT.DWG
A-1 PLOT 1:1

LOCATION APPROVED UNDERGROUND STRUCTURES	
SUPV. U/G STRUCTURES COMMITTEE	DATE
NOTE: LOCATION OF UNDERGROUND STRUCTURES AS SHOWN ARE BASED ON THE BEST INFORMATION AVAILABLE BUT NO GUARANTEE IS GIVEN THAT ALL EXISTING UTILITIES ARE SHOWN OR THAT THE GIVEN LOCATIONS ARE EXACT. CONFIRMATION OF EXISTENCE AND EXACT LOCATION OF ALL SERVICES MUST BE OBTAINED FROM THE INDIVIDUAL UTILITIES BEFORE PROCEEDING WITH CONSTRUCTION.	

B.M. 39-007 ELEV. 236.708m	74M609-TBLT. IN CONC. PLATFORM OF PUMPHOUSE, S. OF PORTAGE AVE. @ CONWAY ST., 0.4m S.W. OF N.E. COR. OF PLATFORM.
DESIGNED BY R.J.L.	CHECKED BY R.J.H.
DRAWN BY D.W.	APPROVED BY
0 ISSUED FOR TENDER 07/12/06 R.J.H.	HOR. SCALE: 1:250 VERTICAL: 1:50
A ISSUED FOR REVIEW 05/12/06 R.J.H.	RELEASED FOR CONSTRUCTION: DATE
NO. REVISIONS	DATE BY
	DATE 27/11/06

KGS GROUP
CONSULTING ENGINEERS & PROJECT MANAGERS
WINNIPEG (204) 896-1209
THUNDER BAY (807) 345-2233

ENGINEER'S SEAL
PROVINCE OF MANITOBA
R.J. HOUSTON
Member
4395
REGISTERED PROFESSIONAL ENGINEER

CONSULTANT DRAWING NO.
06-107-23

METRIC
WHOLE NUMBERS INDICATE MILLIMETRES
DECIMALIZED NUMBERS INDICATE METRES

THE CITY OF WINNIPEG
WATER & WASTE DEPARTMENT

CONWAY OUTFALL REHABILITATION

DETAILS

SHEET **02** OF **02**
CAD FILE DRAWING NUMBER
06-107-23 PLOT.DWG
CITY DRAWING NUMBER
LD-3449

APEGM
Certificate of Authorization
KGS Group
No. 245 Expiry: April 30, 2007