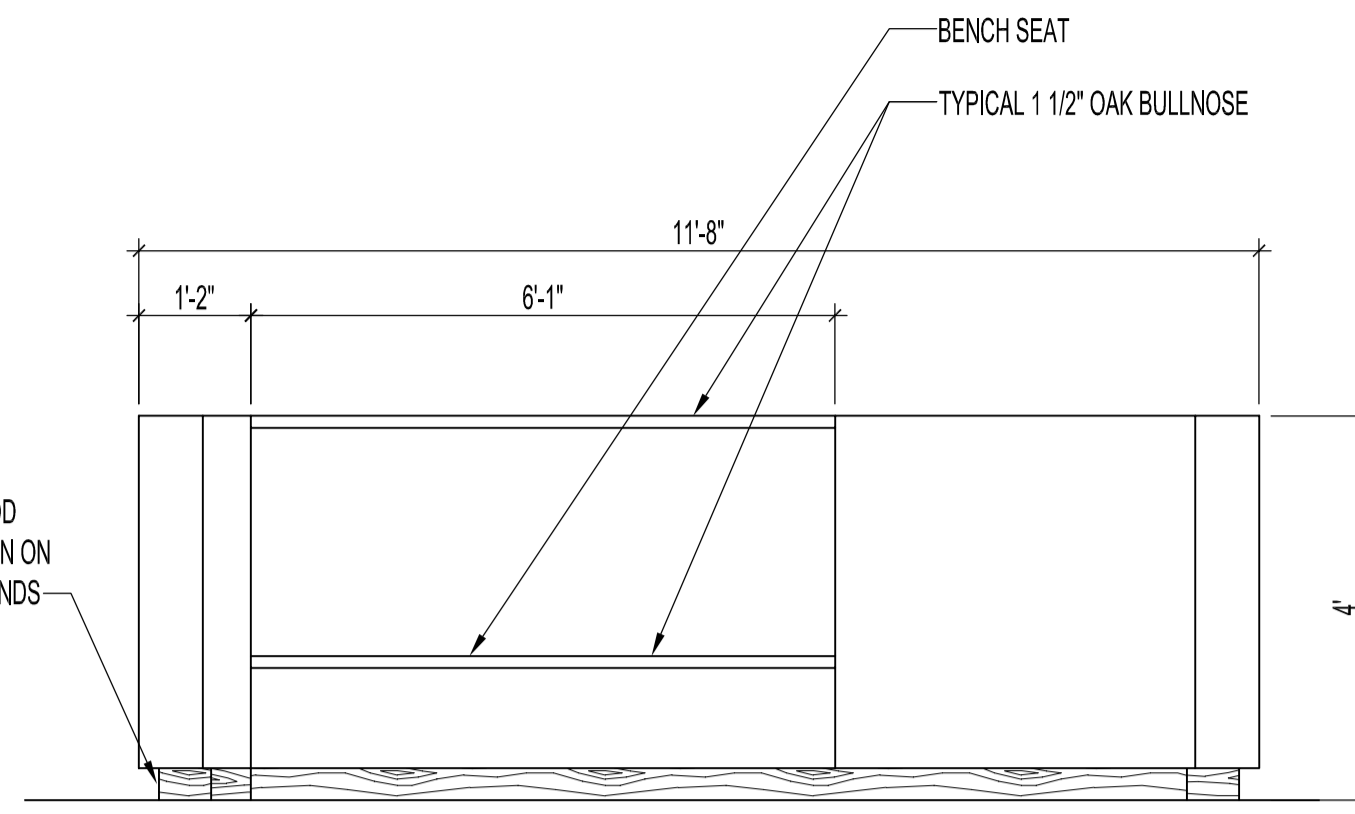
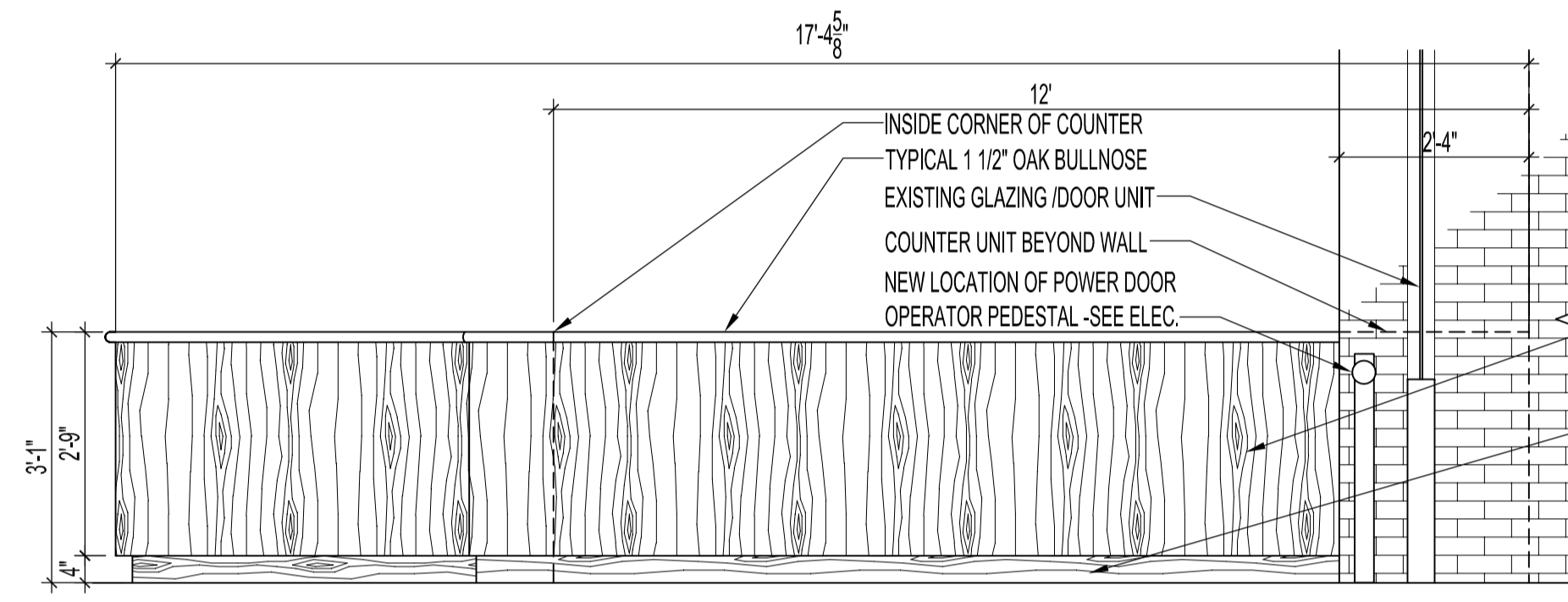


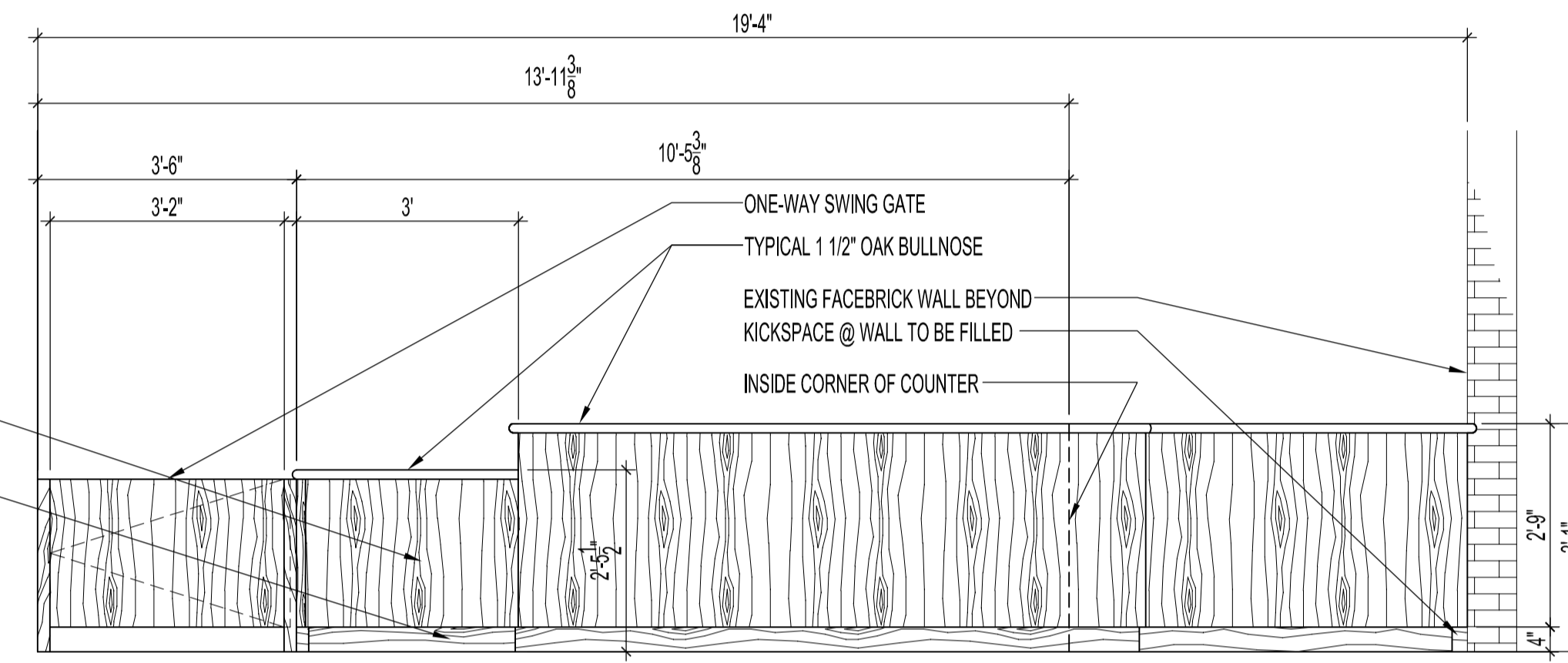
1 ELEVATION -SHELVING & COMPUTER STATION
A1/A2 SCALE: 1/2" = 1'-0"



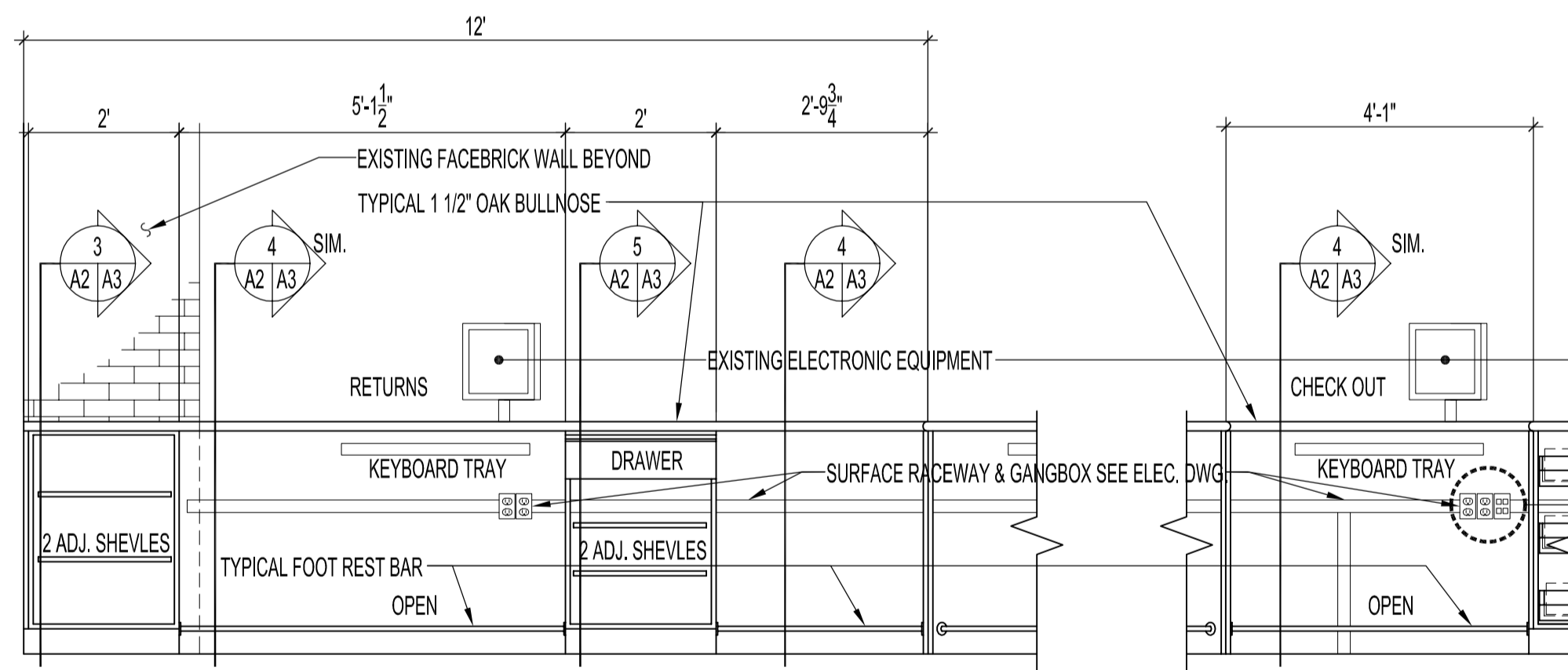
2 ELEVATION -BENCH
A1/A2 SCALE: 1/2" = 1'-0"



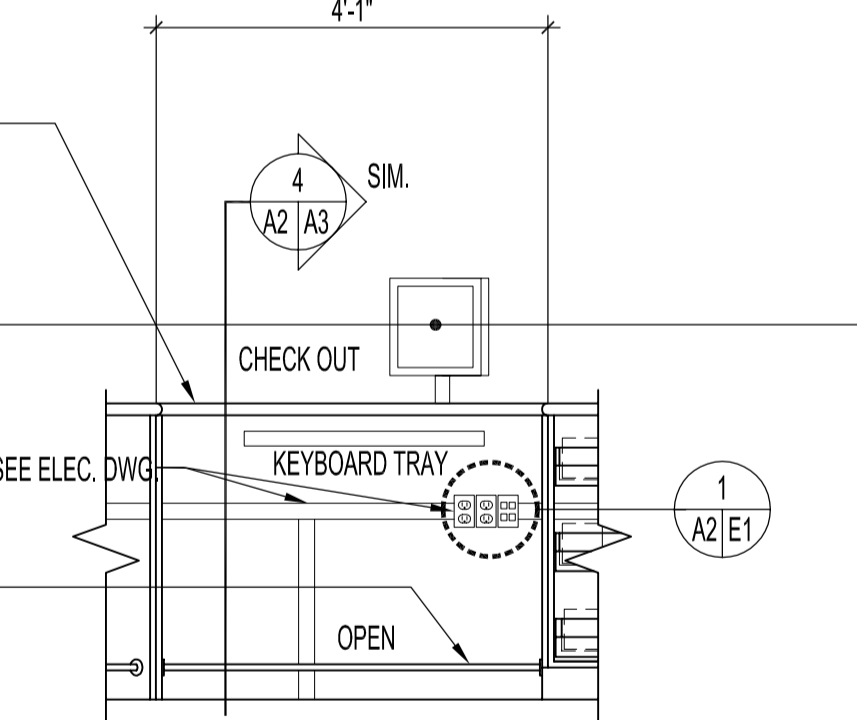
3 ELEVATION -CIRCULATION COUNTER, PUBLIC SIDE
A1/A2 SCALE: 1/2" = 1'-0"



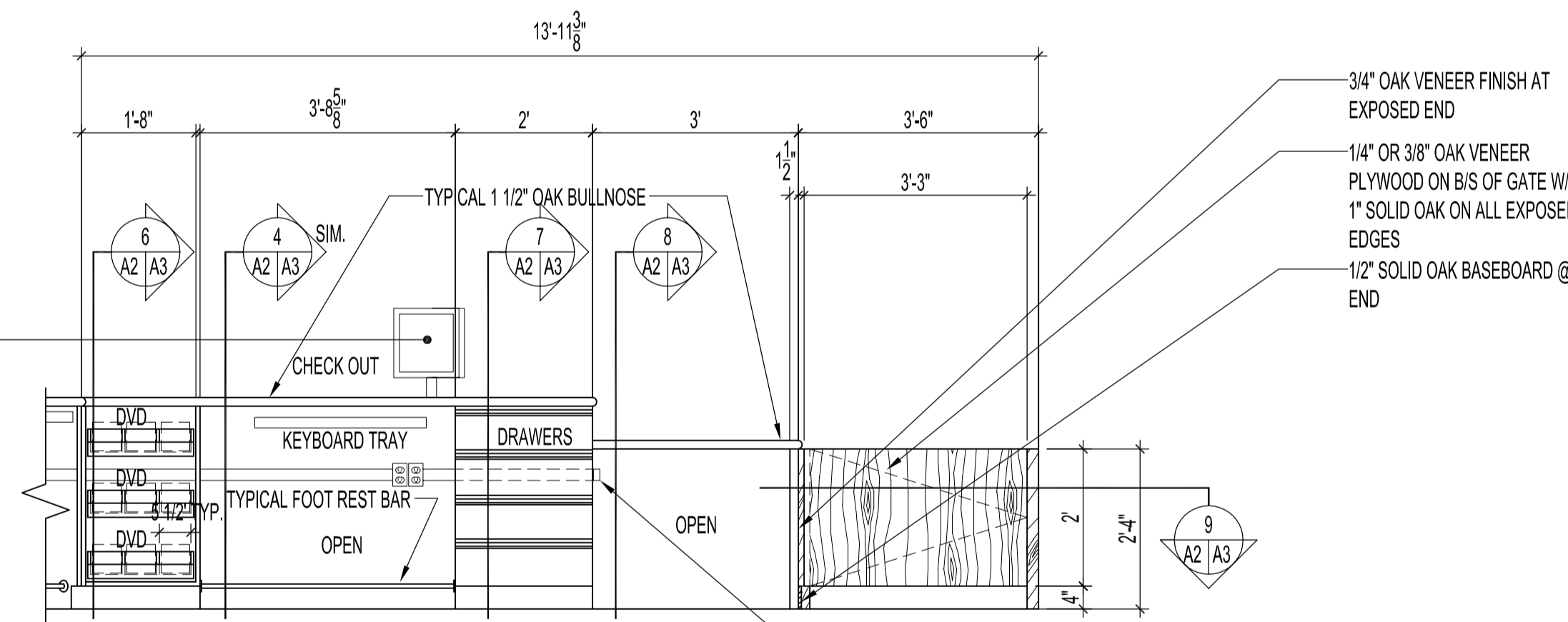
4 ELEVATION -CIRCULATION COUNTER, PUBLIC SIDE
A1/A2 SCALE: 1/2" = 1'-0"



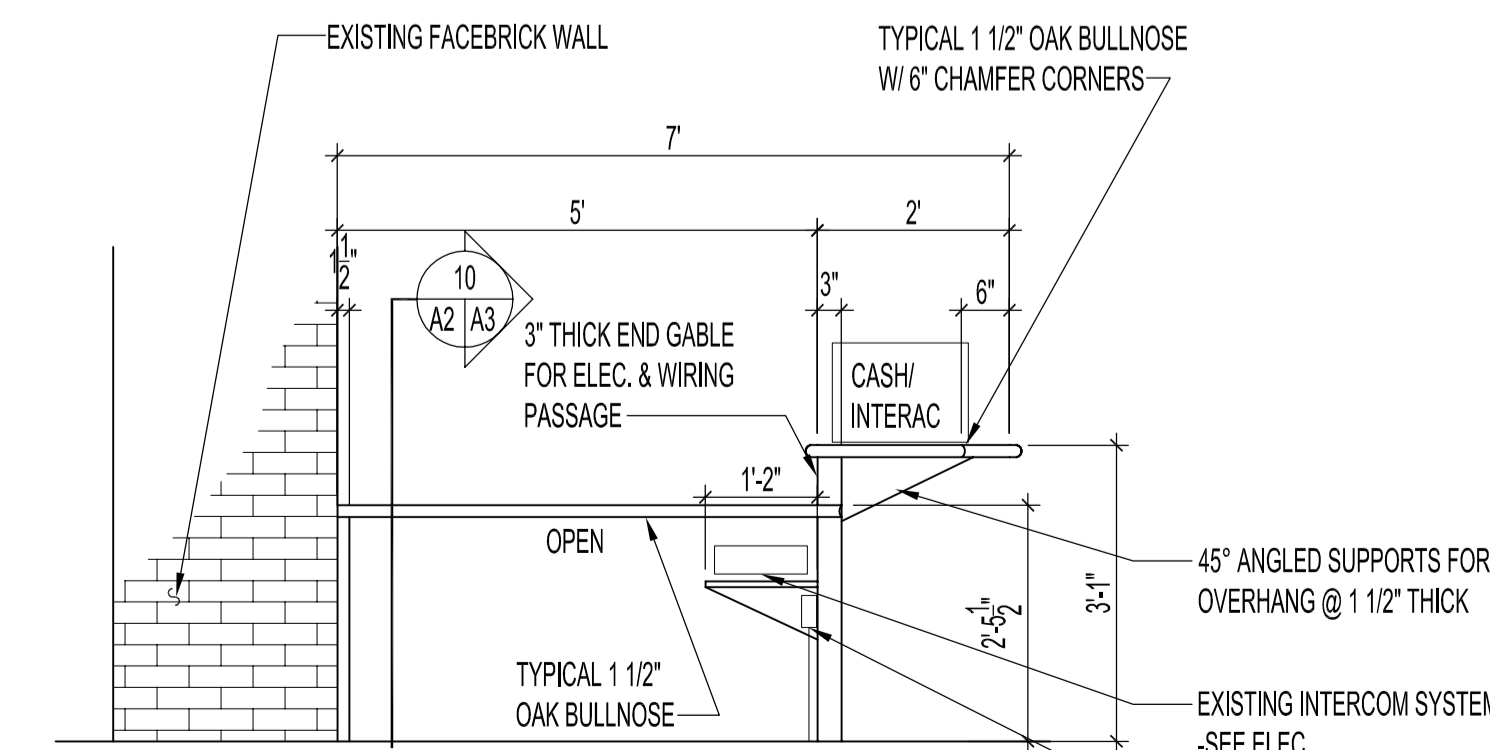
5 ELEVATION -CIRCULATION COUNTER, STAFF SIDE
A1/A2 SCALE: 1/2" = 1'-0"



6 ELEVATION -CIRCULATION COUNTER, STAFF SIDE
A1/A2 SCALE: 1/2" = 1'-0"



7 ELEVATION -CIRCULATION COUNTER, STAFF SIDE
A1/A2 SCALE: 1/2" = 1'-0"



8 ELEVATION -CASHIER COUNTER /DESK
A1/A2 SCALE: 1/2" = 1'-0"

NO.	REVISION/DESCRIPTION	BY	DATE
SEALS			

DRAWN BY	CHECKED BY	APPROVED
MMK	USER APPROVAL	

CITY OF WINNIPEG
PLANNING, PROPERTY &
DEVELOPMENT DEPARTMENT
CIVIC ACCOMMODATIONS DIVISION
300 - 65 GARRY ST. R3C 4K4

PROJECT
FORT GARRY LIBRARY
CIRCULATION COUNTER

1360 PEMBINA HIGHWAY
SHEET TITLE

MILLWORK ELEVATIONS

SCALE	PROJECT NO.	SHEET NO.
AS SHOWN	2005-044	A2